



US00D716761S

(12) **United States Design Patent**
Cho et al.

(10) **Patent No.:** **US D716,761 S**

(45) **Date of Patent:** **** Nov. 4, 2014**

(54) **MOBILE DEVICE**

(71) Applicant: **Samsung Electronics Co., Ltd.**,
Suwon-si (KR)

(72) Inventors: **Chul-Yong Cho**, Seoul (KR);
Dae-Kyung Ahn, Seoul (KR);
Sang-Min Hyun, Seoul (KR); **Eun-Vit Chung**, Seoul (KR)

(73) Assignee: **Samsung Electronics Co., Ltd.**,
Suwon-si (KR)

(**) Term: **14 Years**

(21) Appl. No.: **29/466,847**

(22) Filed: **Sep. 12, 2013**

(30) **Foreign Application Priority Data**

Mar. 12, 2013 (KR) 30-2013-0012503

(51) **LOC (10) Cl.** **14-01**

(52) **U.S. Cl.**
USPC **D14/206**

(58) **Field of Classification Search**
CPC H04R 5/033
USPC D14/206, 205, 223, 225, 228, 372, 142;
181/129, 130, 135; 379/430, 431;
381/328, 322, 380, 381, 371; D29/112;
2/209

See application file for complete search history.

(56) **References Cited**

U.S. PATENT DOCUMENTS

D436,960 S * 1/2001 Budd et al. D14/372
7,190,330 B2 * 3/2007 Travers et al. 345/7
D539,788 S * 4/2007 Thompson et al. D14/225
D540,303 S * 4/2007 Rausch et al. D14/205

D540,778 S * 4/2007 Thompson et al. D14/206
D542,774 S * 5/2007 Rausch et al. D14/206
D633,471 S * 3/2011 Sugiyama D14/205
D654,472 S * 2/2012 Fischer D14/206
D656,480 S * 3/2012 McManigal et al. D14/205
D666,579 S * 9/2012 Hou D14/205
D666,992 S * 9/2012 Lee et al. D14/205
D678,859 S * 3/2013 Lee D14/205
D687,411 S * 8/2013 Lee et al. D14/205
D689,464 S * 9/2013 Bonahoom et al. D14/206
D690,283 S * 9/2013 Lee et al. D14/205
D691,602 S * 10/2013 Sugihara et al. D14/300
D697,048 S * 1/2014 Pavitsich D14/205
D697,495 S * 1/2014 Lian D14/205

* cited by examiner

Primary Examiner — Paula Greene

(74) *Attorney, Agent, or Firm* — NSIP Law

(57) **CLAIM**

The ornamental design for a mobile device, as shown and described.

DESCRIPTION

FIG. 1 is a front perspective view of a mobile device showing my new design;
FIG. 2 is a front view thereof;
FIG. 3 is a rear view thereof;
FIG. 4 is a left-side view thereof;
FIG. 5 is a right-side view thereof;
FIG. 6 is a top view thereof;
FIG. 7 is a bottom view thereof;
FIG. 8 is another front perspective view thereof, in which a portion of the mobile device is shown in open position;
FIG. 9 is another left-side view thereof; in which a portion of the mobile device is shown in an open position; and,
FIG. 10 is another perspective view of the mobile device.
The broken lines are for illustrative purposes only and form no part of the claimed design.

1 Claim, 8 Drawing Sheets

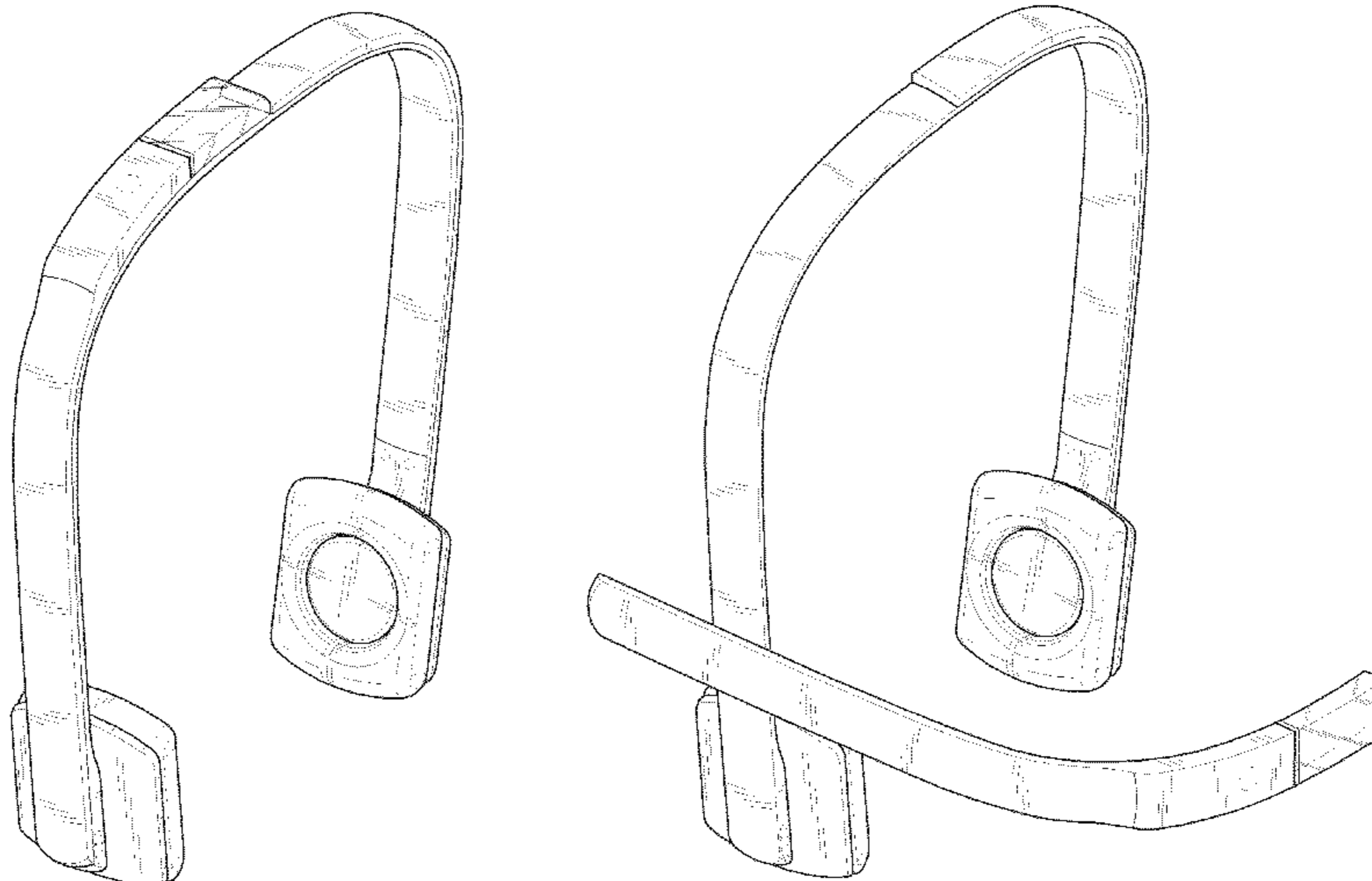


FIG. 1

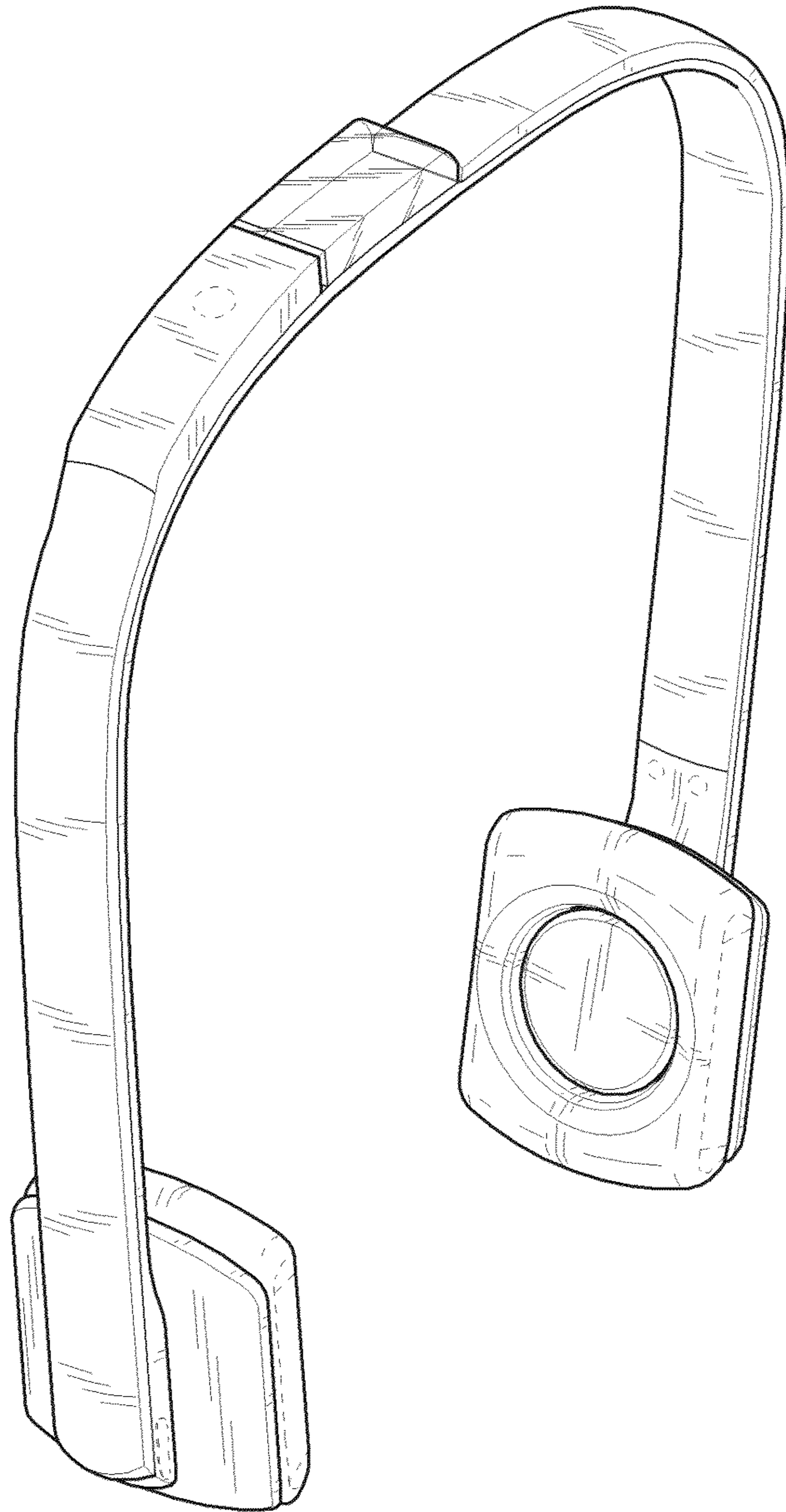


FIG. 2

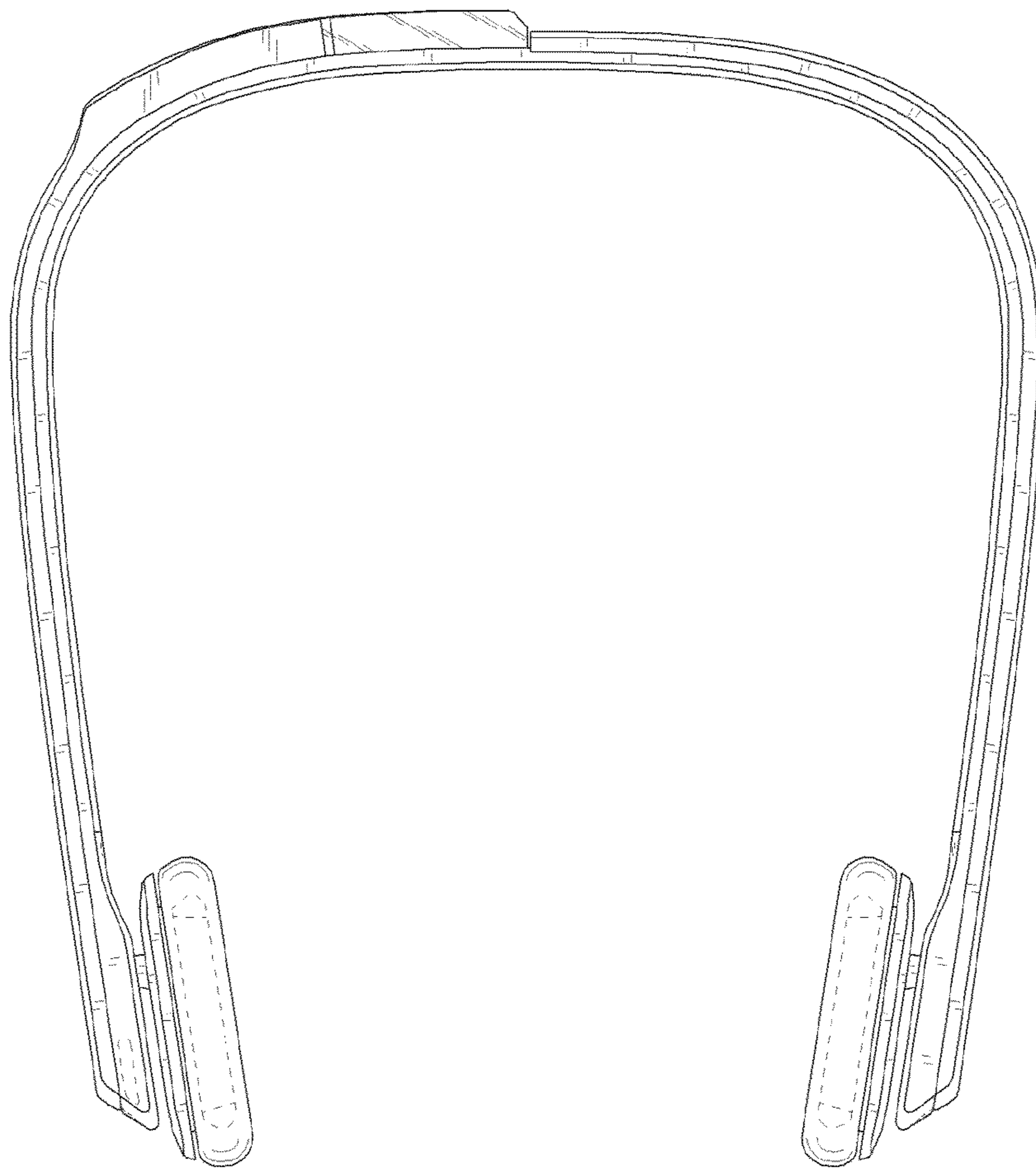


FIG. 3

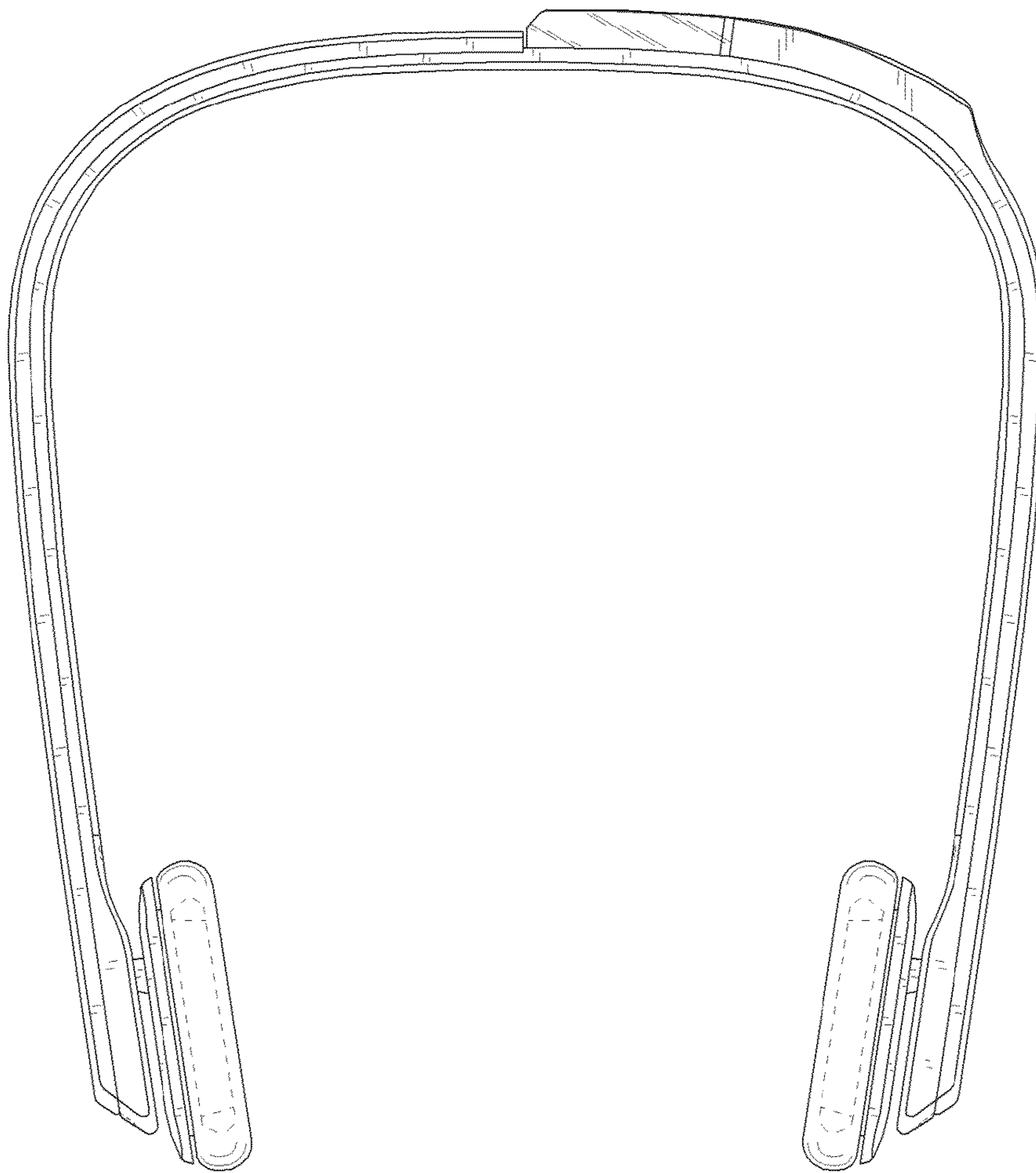


FIG. 4

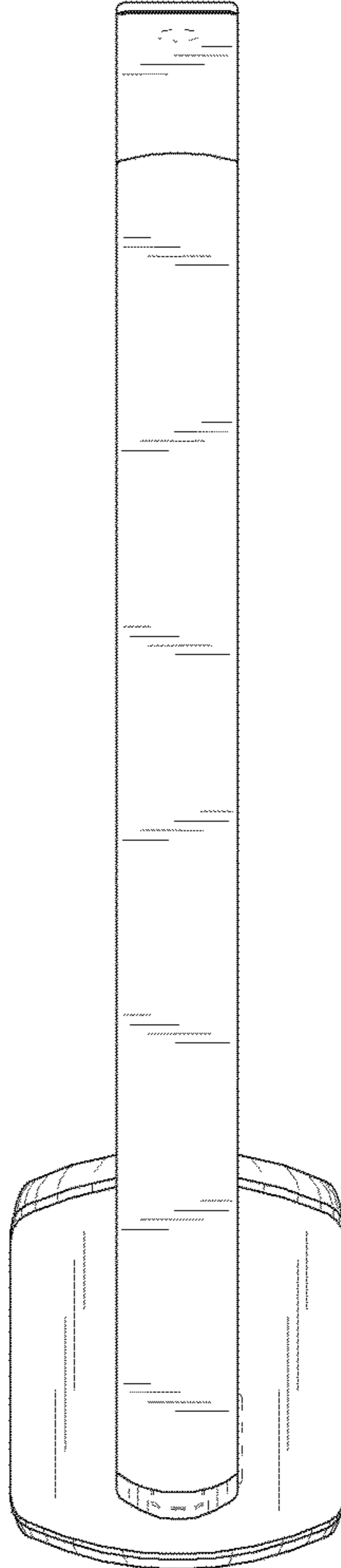


FIG. 5

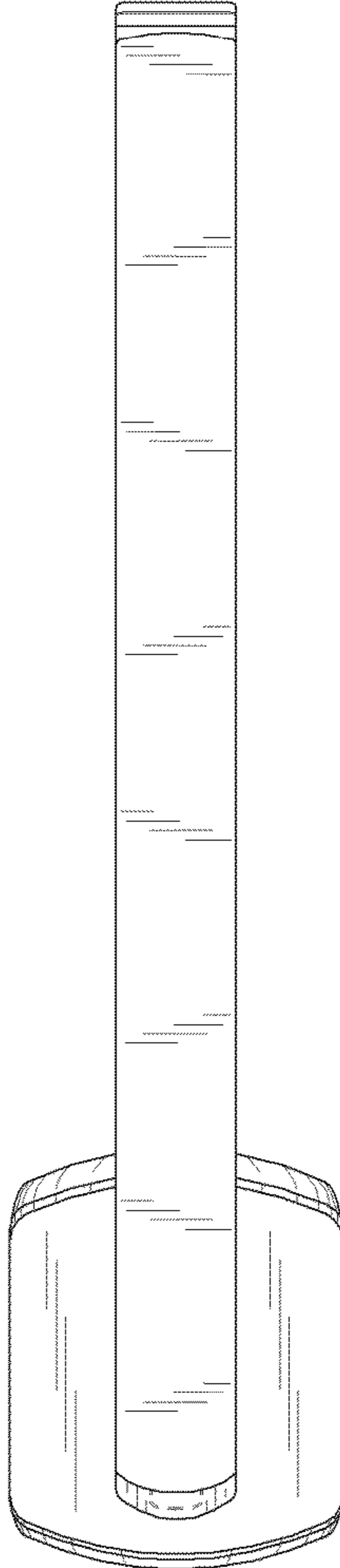


FIG. 6

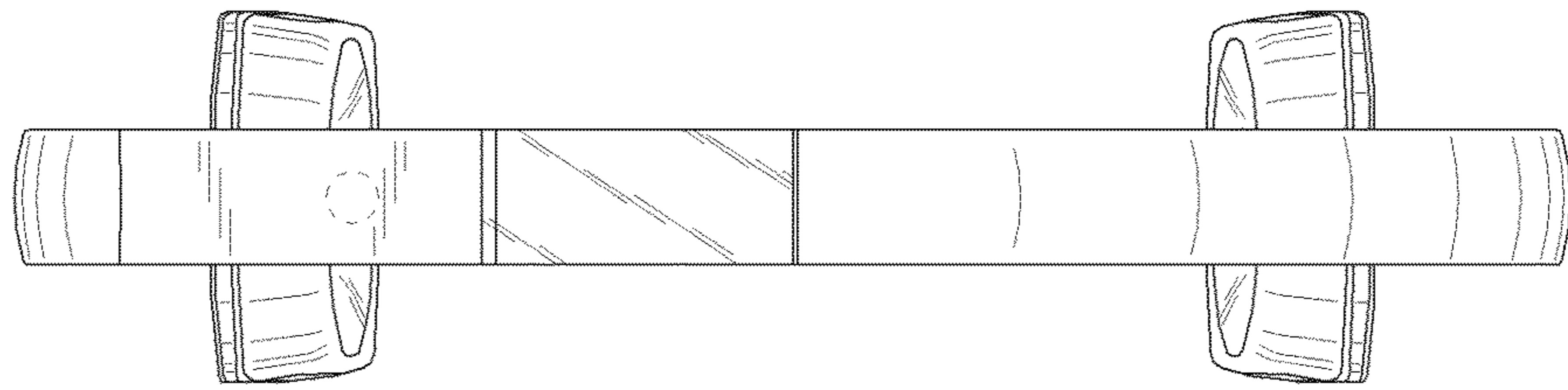


FIG. 7

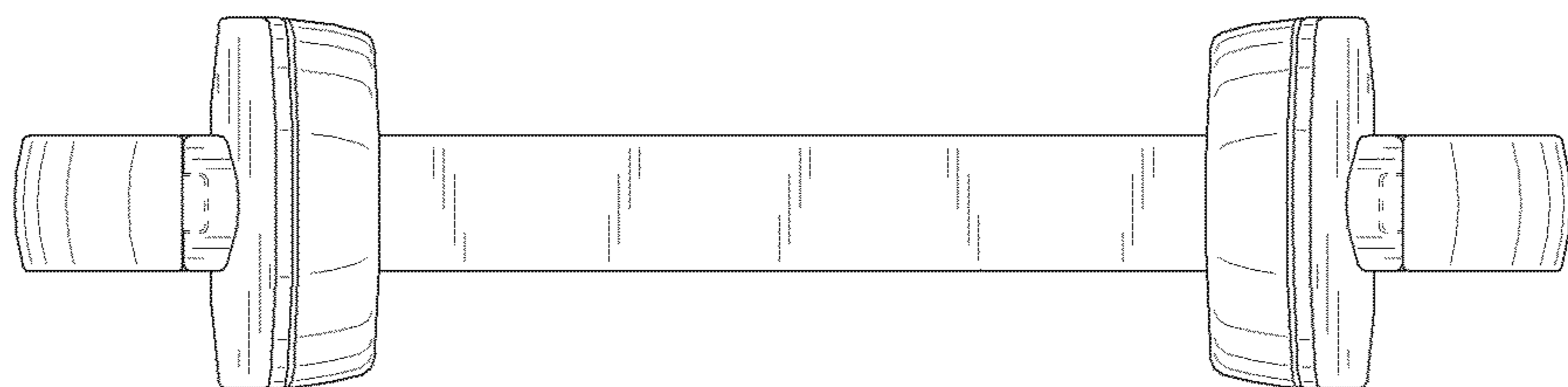


FIG. 8

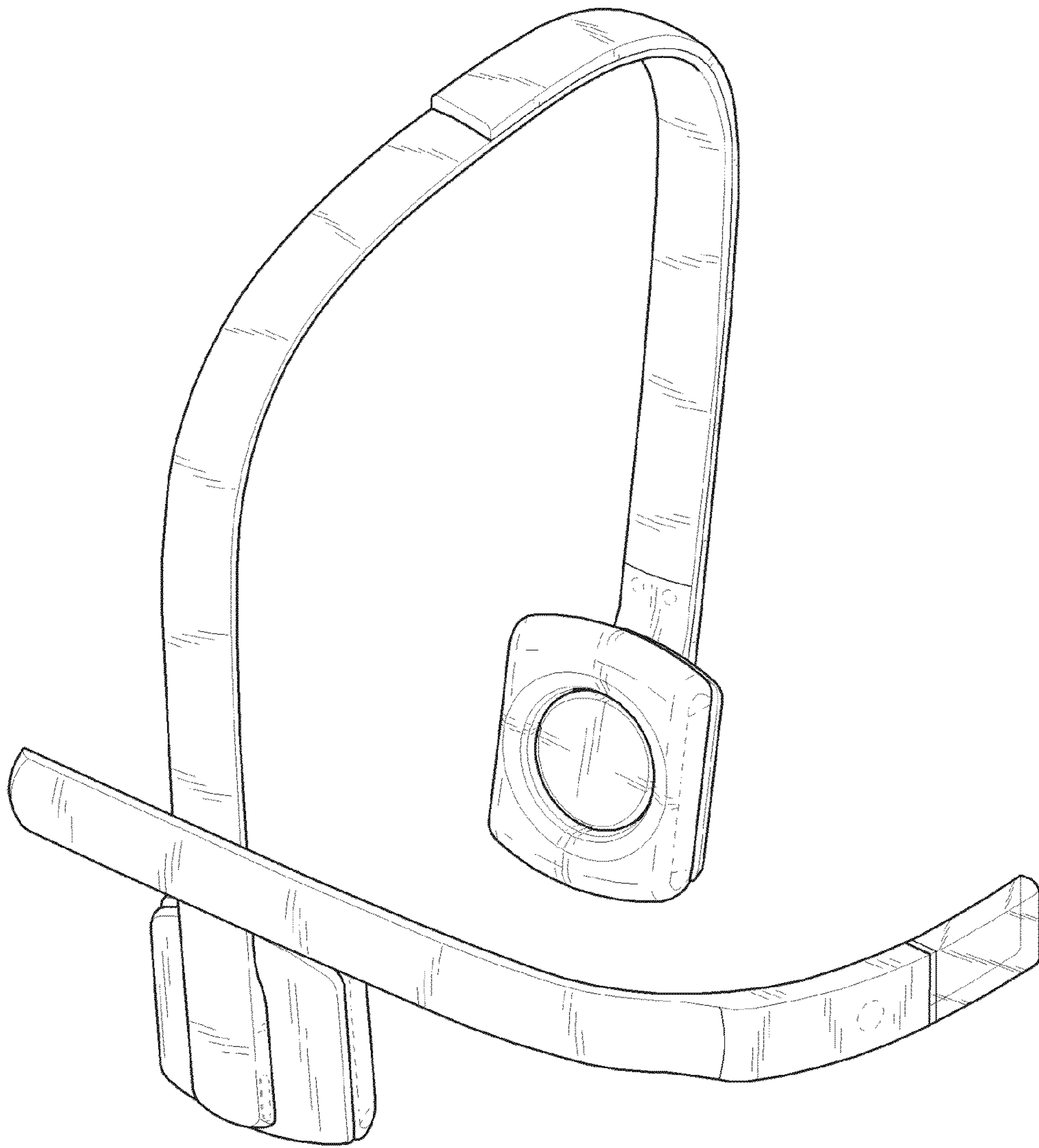


FIG. 9

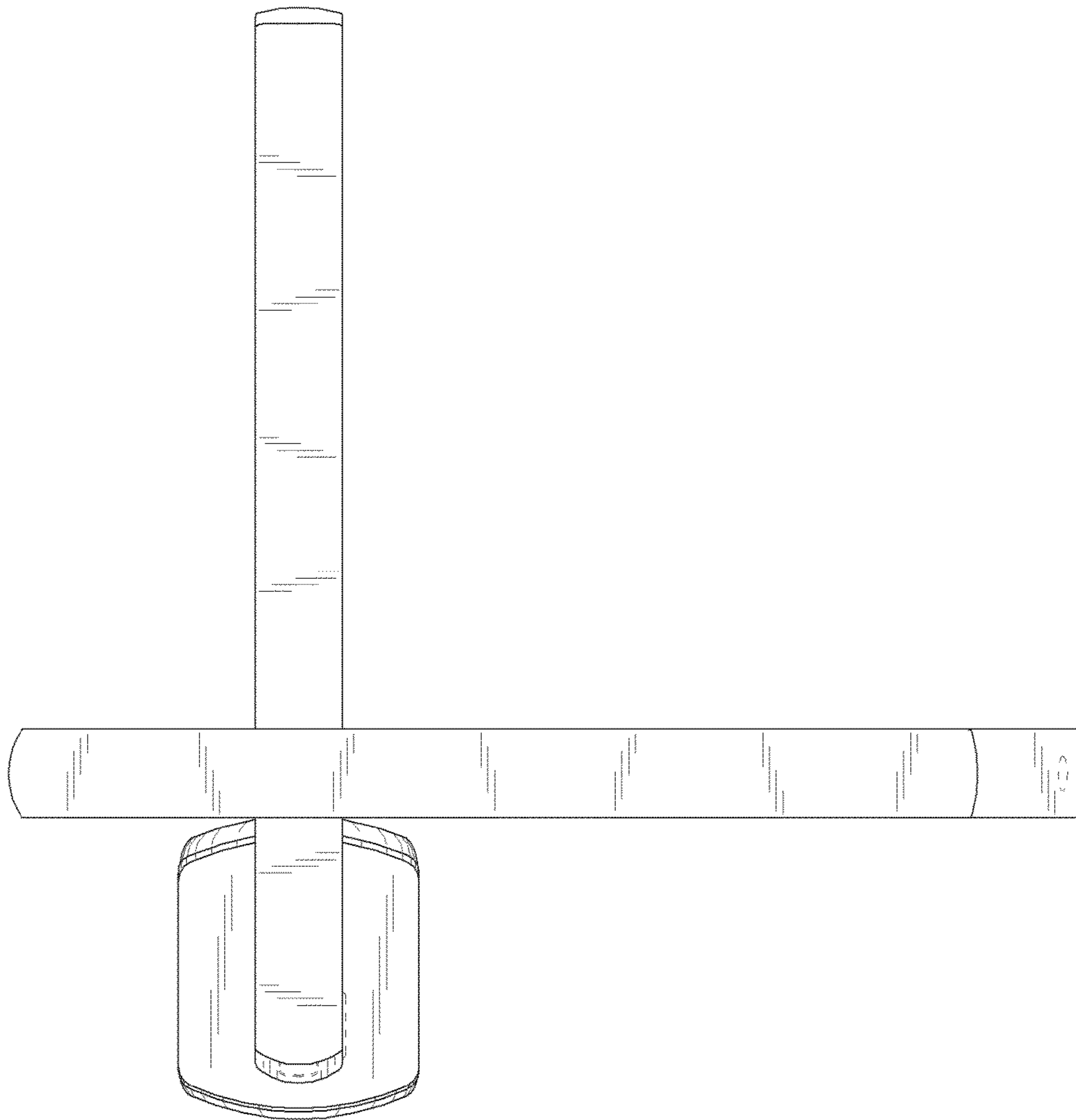


FIG. 10

