



US00D716760S

(12) **United States Design Patent**
Brunner et al.

(10) **Patent No.:** **US D716,760 S**
(45) **Date of Patent:** **** Nov. 4, 2014**

(54) **GAMING HEADSET**

(71) Applicant: **Beats Electronics, LLC**, Santa Monica, CA (US)

(72) Inventors: **Robert D. Brunner**, San Francisco, CA (US); **Christopher Kuh**, San Francisco, CA (US)

(73) Assignee: **Beats Electronics, LLC**, Culver City, CA (US)

(**) Term: **14 Years**

(21) Appl. No.: **29/464,539**

(22) Filed: **Aug. 18, 2013**

Related U.S. Application Data

(60) Division of application No. 29/426,082, filed on Jun. 29, 2012, now Pat. No. Des. 691,112, which is a continuation-in-part of application No. 29/410,585, filed on Jan. 9, 2012.

(51) **LOC (10) Cl.** **14-01**

(52) **U.S. Cl.**
USPC **D14/206**

(58) **Field of Classification Search**
CPC H04R 5/033
USPC D14/205, 206, 223, 372, 225, 228;
181/129, 130, 135; 379/430, 431;
381/380, 381, 374, 378, 370, 379;
345/8; D21/483

See application file for complete search history.

(56) **References Cited**

U.S. PATENT DOCUMENTS

1,066,511 A 7/1913 Markoff
2,149,341 A 3/1939 Harrison
3,104,398 A 9/1963 Palmaer
D203,677 S 2/1966 Spillman
D244,300 S 5/1977 Besasie

(Continued)

FOREIGN PATENT DOCUMENTS

GB 2072035 B 2/1984
JP D1318386 5/1986
JP D1406347 10/1987
JP D1430542 3/1988

(Continued)

OTHER PUBLICATIONS

Search Report and Written Opinion for PCT Application No. PCT/US11/67045 dated Sep. 27, 2012.

(Continued)

Primary Examiner — Paula Greene

(74) *Attorney, Agent, or Firm* — Neal Gerber & Eisenberg LLP

(57) **CLAIM**

The ornamental design for gaming headset, as shown and described.

DESCRIPTION

FIG. 1 is a perspective view of a gaming headset showing our new design, the front face of the opposite ear cup is a mirror image;

FIG. 2 is a back view of the embodiment of the gaming headset shown in FIG. 8;

FIG. 3 is a bottom view of the embodiment of the gaming headset shown in FIG. 8;

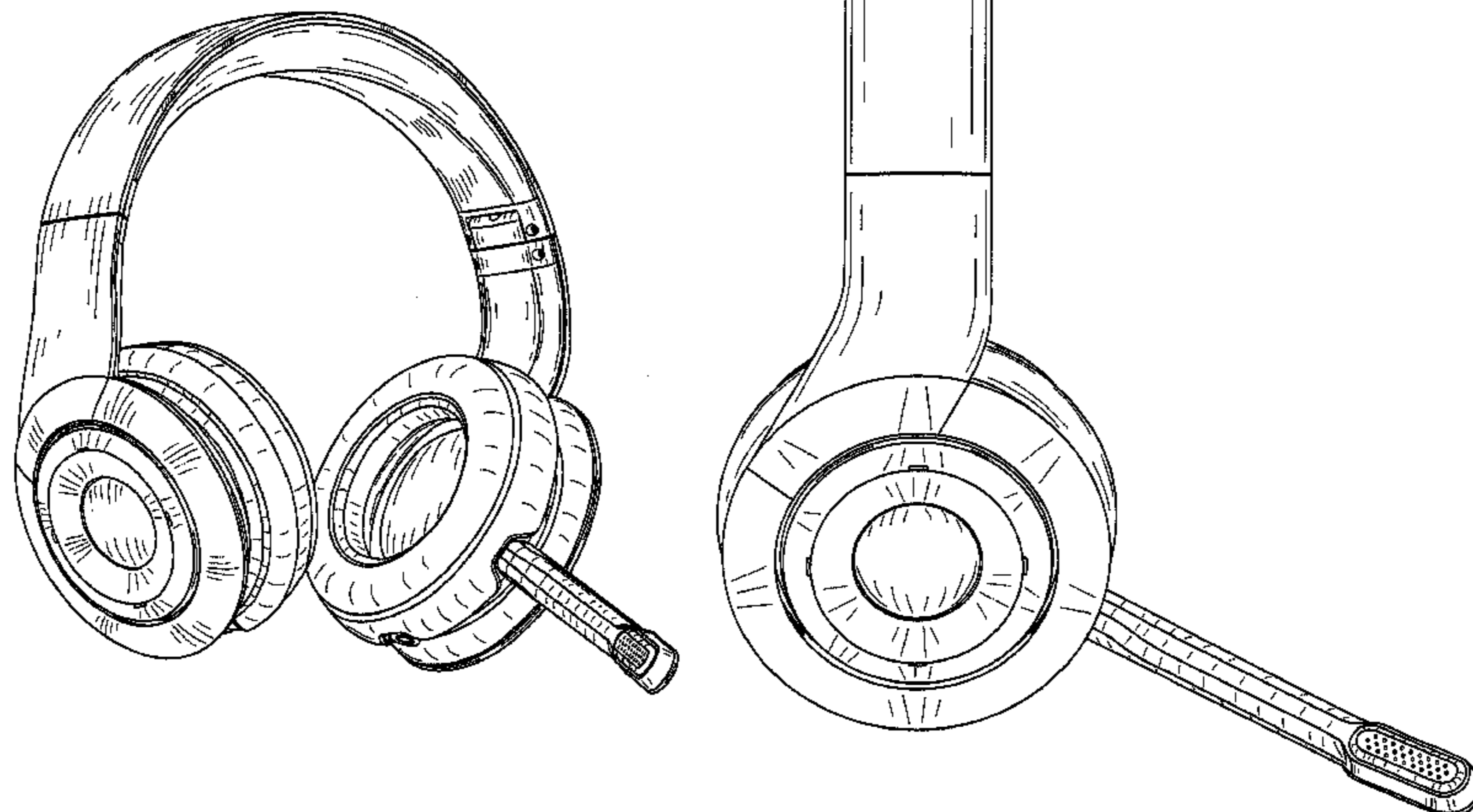
FIG. 4 is a front view of the embodiment of the gaming headset shown in FIG. 8;

FIG. 5 is a left side view of the embodiment of the gaming headset shown in FIG. 8;

FIG. 6 is a right side view of the embodiment of the gaming headset shown in FIG. 8; and,

FIG. 7 is a top view of the embodiment of the gaming headset shown in FIG. 8.

1 Claim, 7 Drawing Sheets



(56)

References Cited

U.S. PATENT DOCUMENTS

4,173,715 A 11/1979 Gosman
D254,183 S 2/1980 Doodson
D254,876 S 5/1980 Reitenga
4,609,786 A 9/1986 Omoto
4,634,816 A 1/1987 O'Malley
4,875,233 A 10/1989 Derhaag
D313,092 S 12/1990 Nilsson
5,018,599 A 5/1991 Dohi
5,035,005 A 7/1991 Hung
D328,074 S 7/1992 Yamazaki
D328,461 S 8/1992 Daido
D338,010 S 8/1993 Yamatogi
D351,172 S 10/1994 Nakamura
D358,389 S 5/1995 Isono
D375,825 S 11/1996 Whidden
D403,128 S 12/1998 Scanlon
D420,356 S 2/2000 Suzuki
D422,592 S 4/2000 Deguchi
6,081,604 A 6/2000 Hikichi
D430,140 S 8/2000 Roman
D435,249 S 12/2000 Yasutomi
6,163,615 A 12/2000 Callahan
6,195,839 B1 3/2001 Patterson
D457,512 S 5/2002 Yoneda
6,449,806 B1 9/2002 Engelhard
D468,723 S 1/2003 Pham
D484,485 S 12/2003 Matsuoka
6,654,966 B2 12/2003 Rolla
D484,868 S 1/2004 Suzuki
6,678,897 B2 1/2004 Lindgren
D491,163 S 6/2004 Green
D502,938 S 3/2005 Tokioka
D504,414 S * 4/2005 Yoshida D14/192
D504,883 S 5/2005 Jacobson
D512,381 S 12/2005 Sirichai
D512,708 S 12/2005 Harris, Jr.
D512,981 S 12/2005 Jacobson
D514,086 S * 1/2006 Skulley D14/206
D517,043 S 3/2006 Jacobson
D517,528 S * 3/2006 Skulley D14/206
7,072,483 B2 * 7/2006 Lenhard-Backhaus 381/383
D532,407 S 11/2006 Motoishi
D534,155 S 12/2006 Obata
D534,156 S 12/2006 Obata
7,172,052 B2 2/2007 Lenhard-Backhaus
D539,788 S 4/2007 Thompson
D540,301 S 4/2007 Obata
D540,303 S * 4/2007 Rausch et al. D14/205
D540,778 S * 4/2007 Thompson et al. D14/206
D541,255 S 4/2007 Taylor
D541,256 S 4/2007 Rausch
D541,257 S 4/2007 Thursfield
D552,077 S 10/2007 Brunner
D557,684 S 12/2007 Pundsack
D560,654 S 1/2008 Feng
D563,382 S 3/2008 Wikel
D563,995 S 3/2008 Deguchi
D582,890 S * 12/2008 Koza et al. D14/205
D584,715 S 1/2009 Brennwald
D585,870 S 2/2009 Zheng
D585,871 S 2/2009 Lee
D585,872 S 2/2009 Lee
D588,098 S 3/2009 Kurihara
D588,100 S 3/2009 Densho
D591,263 S 4/2009 Shimizu
D592,182 S * 5/2009 Sanguinetti D14/205
D592,640 S 5/2009 Tkachuk
D593,995 S * 6/2009 Shimizu D14/205
D600,674 S 9/2009 Brennwald
D602,906 S * 10/2009 Groves et al. D14/205
D603,370 S 11/2009 Suzuki
D603,371 S 11/2009 Boateng
D616,865 S 6/2010 Marchand
D617,769 S 6/2010 Birger
D617,771 S * 6/2010 Groves et al. D14/206

7,735,154 B2 6/2010 Gellis
D625,705 S * 10/2010 Ohori et al. D14/205
D632,668 S * 2/2011 Brunner et al. D14/205
D633,896 S 3/2011 Kondo
D635,959 S 4/2011 Hutchieson
D637,176 S * 5/2011 Brunner et al. D14/205
D637,998 S 5/2011 Brunner
D637,999 S 5/2011 Brunner
D638,000 S * 5/2011 Hoggarth D14/206
D639,776 S 6/2011 Arimoto
D641,725 S 7/2011 Chong
D648,330 S * 11/2011 Fischer D14/226
D652,017 S * 1/2012 Groves et al. D14/206
D652,405 S 1/2012 Lee
D652,406 S * 1/2012 Lee et al. D14/205
D654,471 S * 2/2012 Fischer D14/206
D654,472 S * 2/2012 Fischer D14/206
D657,344 S 4/2012 Brunner
D657,345 S 4/2012 Brunner
D657,776 S * 4/2012 Lee et al. D14/205
D660,823 S 5/2012 Hardi
D660,824 S * 5/2012 Hardi et al. D14/205
D660,826 S 5/2012 Brunner
D662,490 S * 6/2012 McSweyn D14/205
D663,716 S 7/2012 Hardi
D673,520 S 1/2013 Tan
D674,767 S 1/2013 Brunner
D677,647 S * 3/2013 Lee et al. D14/205
D677,648 S * 3/2013 Lee et al. D14/206
D683,329 S * 5/2013 Hagelin D14/205
D689,843 S * 9/2013 Lee D14/205
D691,112 S * 10/2013 Brunner et al. D14/206
D691,579 S * 10/2013 Lee et al. D14/205
2003/0182713 A1 10/2003 Rolla
2004/0216946 A1 11/2004 Lenhard-Backhaus
2005/0053255 A1 3/2005 Harris
2005/0226452 A1 10/2005 Amae
2006/0001307 A1 1/2006 Embach
2006/0062417 A1 3/2006 Tachikawa
2006/0104471 A1 5/2006 Tsunoda
2008/0056525 A1 3/2008 Fujiwara
2009/0220118 A1 9/2009 Meier
2010/0128884 A1 5/2010 Sapiejewski
2010/0284558 A1 11/2010 Kimura
2011/0206216 A1 8/2011 Brunner

FOREIGN PATENT DOCUMENTS

KR 30-0476152 1/2008
WO WO2007103561 A2 9/2007
WO WO2012094176 A2 7/2012

OTHER PUBLICATIONS

Office Action dated Dec. 10, 2010 for Russian Patent Application No. 2010501890.
Search Report dated Mar. 31, 2011 for Taiwan patent Application No. 099303306.
Taiwan Office Action for Taiwan Application No. 101303990 dated Aug. 26, 2013.
Taiwan Office Action for Taiwan Application No. 101301117 dated Aug. 26, 2013.
Taiwan Office Action for Taiwan Application No. 102302000 dated Aug. 26, 2013.
Unpublished pending U.S. Appl. No. 29/471,109, filed Oct. 28, 2013 a copy of which is not being furnished herewith, pursuant to the Commissioner's Notice dated Sep. 21, 2004.
Unpublished pending U.S. Appl. No. 29/475,634, filed Dec. 4, 2013 a copy of which is not being furnished herewith, pursuant to the Commissioner's Notice dated Sep. 21, 2004.
Unpublished pending U.S. Appl. No. 13/925,613, filed Jun. 24, 2013 a copy of which is not being furnished herewith, pursuant to the Commissioner's Notice dated Sep. 21, 2004.
Unpublished pending U.S. Appl. No. 13/517,035, filed Sep. 11, 2013 a copy of which is not being furnished herewith, pursuant to the Commissioner's Notice dated Sep. 21, 2004.

* cited by examiner



FIG. 1



FIG. 2

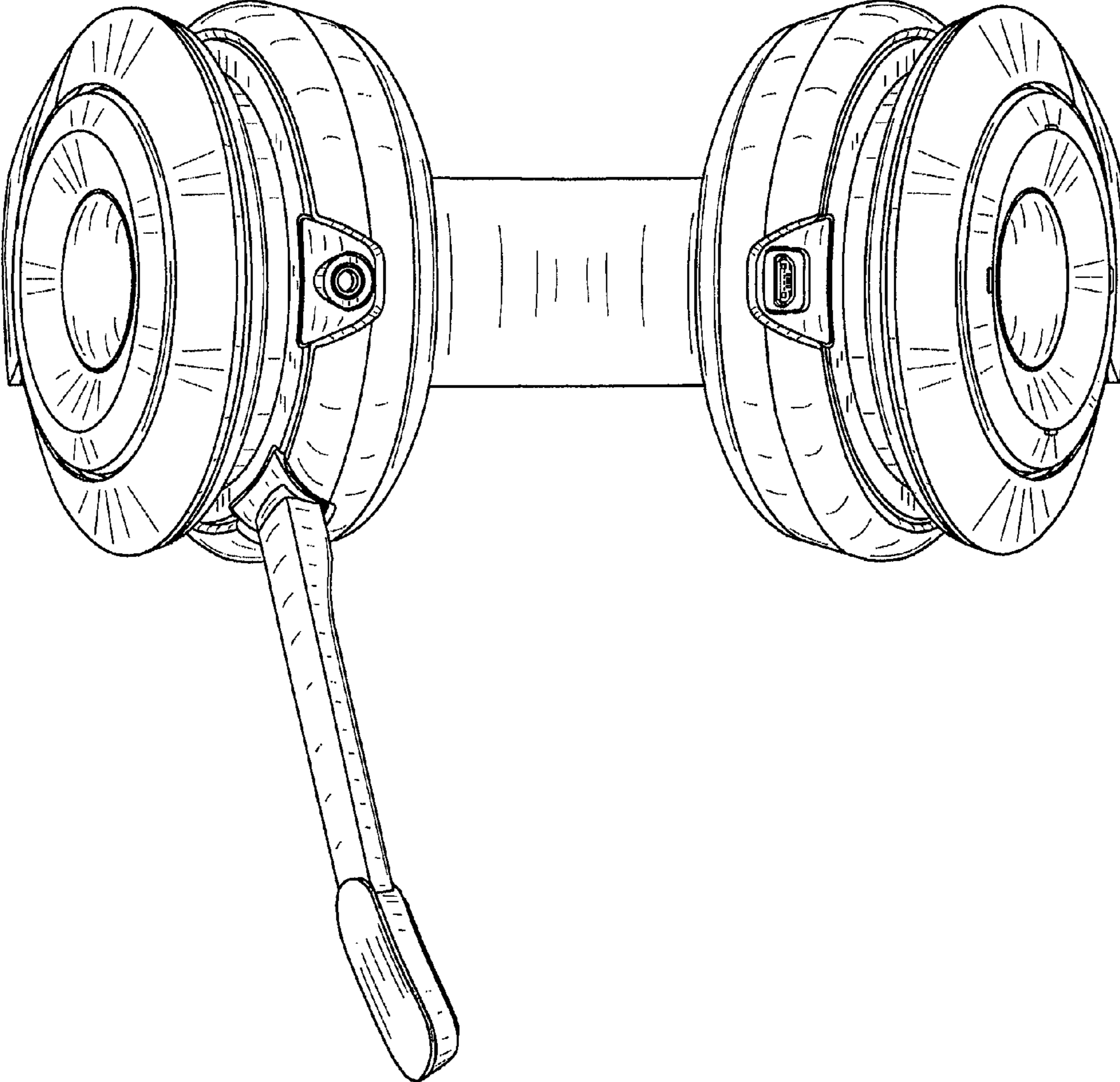


FIG. 3



FIG. 4

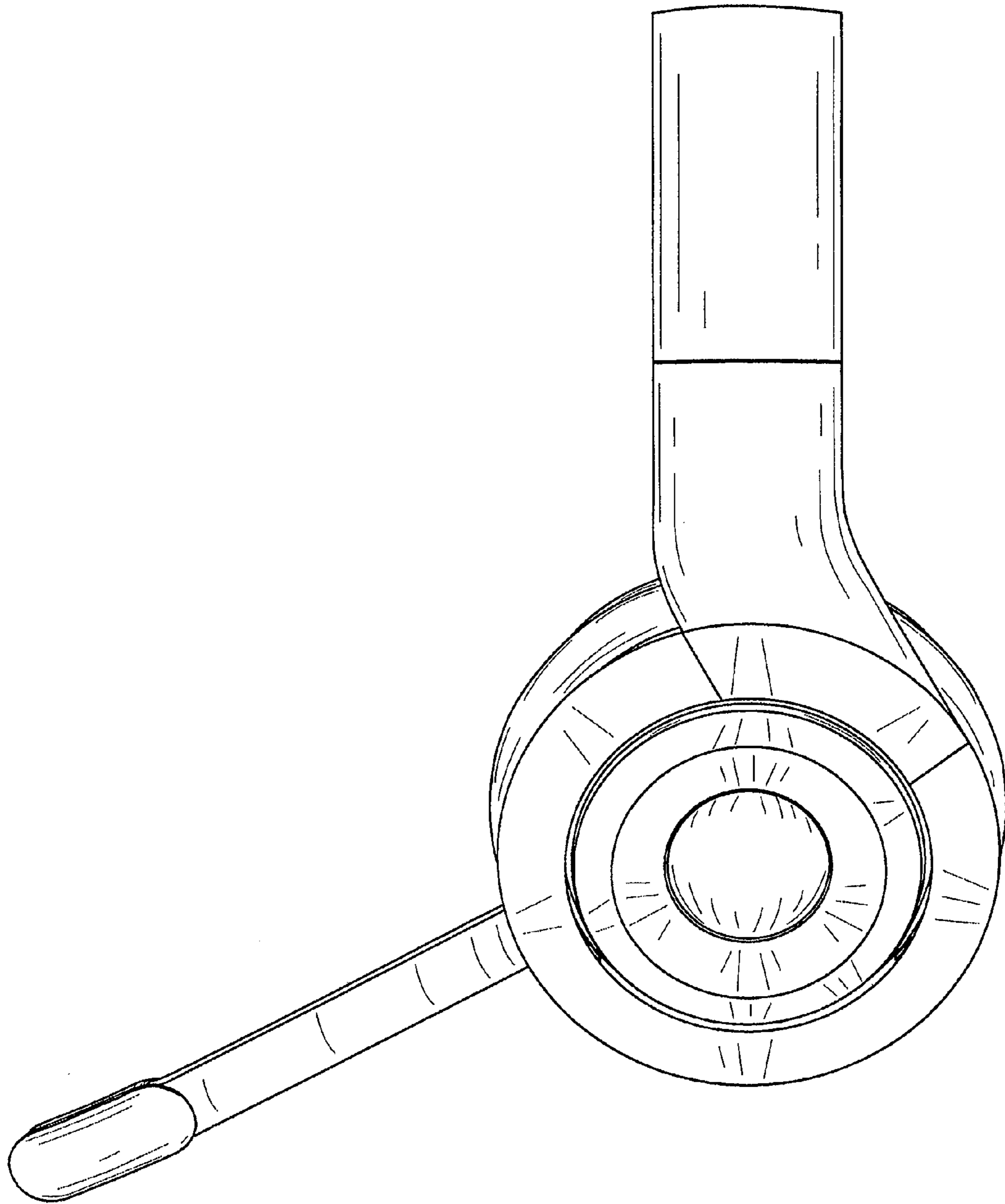


FIG. 5

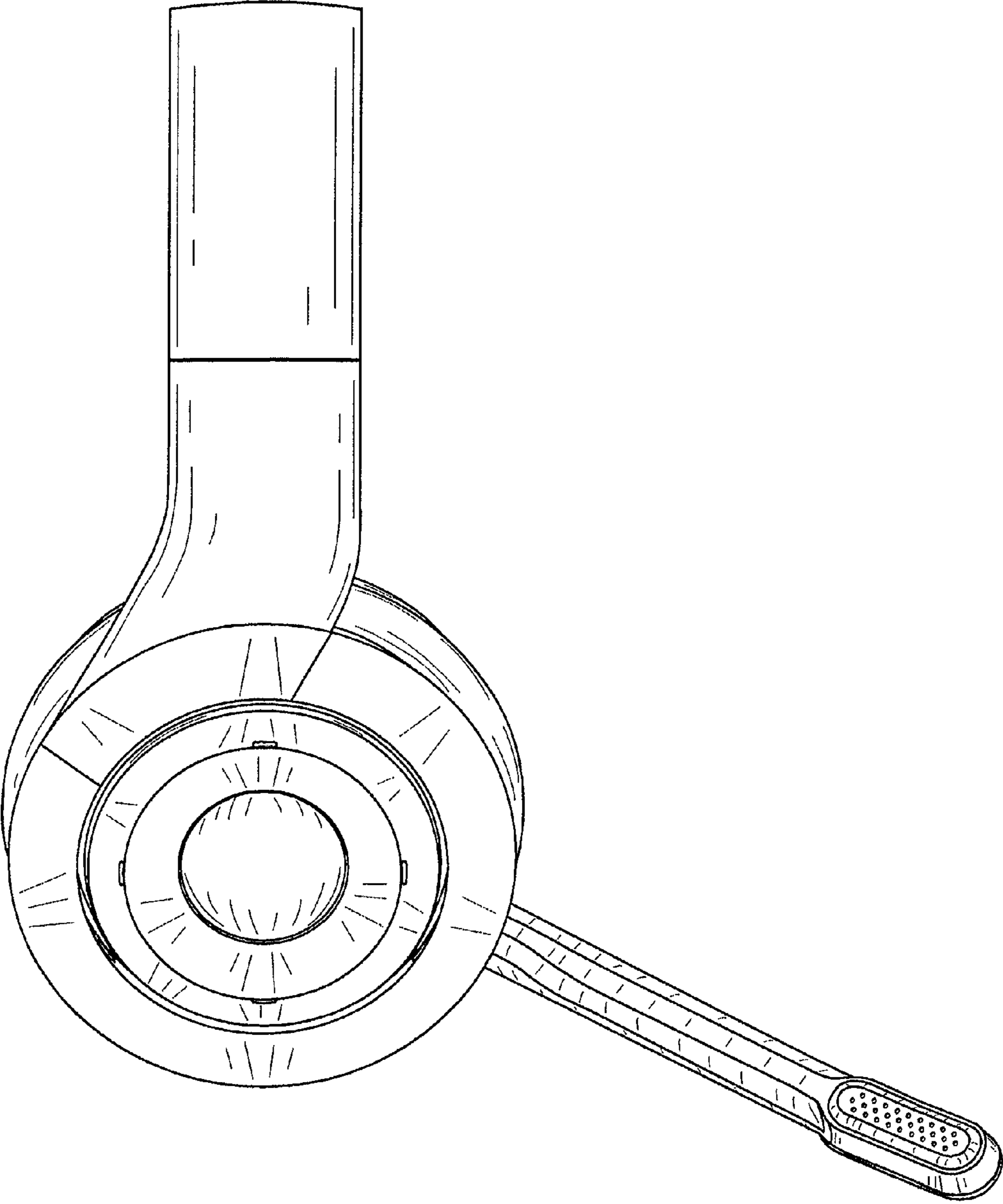


FIG. 6

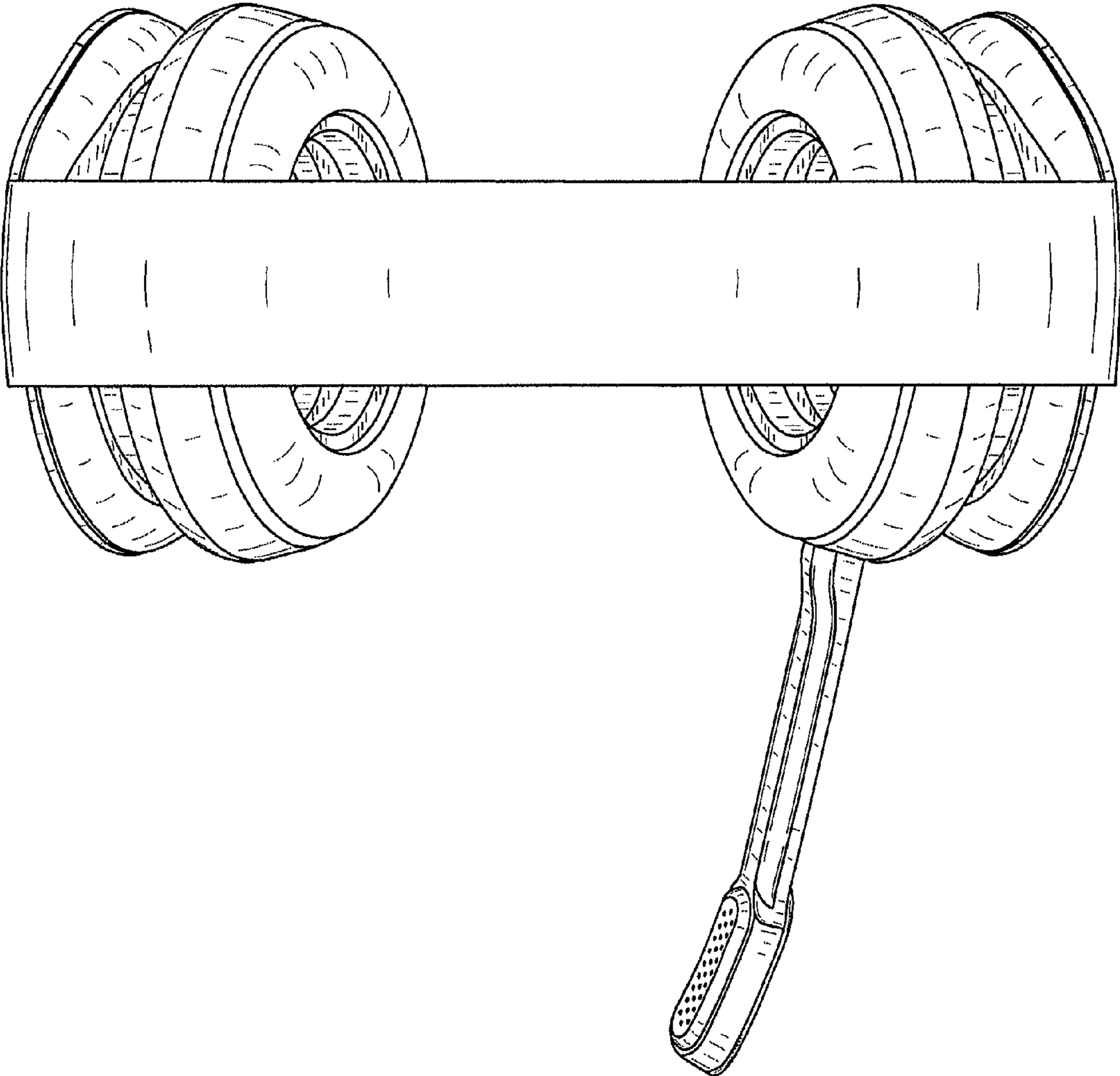


FIG. 7