



US00D716758S

(12) **United States Design Patent**
Burgett et al.

(10) **Patent No.:** **US D716,758 S**

(45) **Date of Patent:** **** Nov. 4, 2014**

(54) **CONTROLLER**

(71) Applicants: **Seth D Burgett**, Glen Carbon, IL (US);
Effrosini A. Karayiannis, Saint Louis,
MO (US); **Aaron Gorga**, Saint Louis,
MO (US)

(72) Inventors: **Seth D Burgett**, Glen Carbon, IL (US);
Effrosini A. Karayiannis, Saint Louis,
MO (US); **Aaron Gorga**, Saint Louis,
MO (US)

(73) Assignee: **Verto Medical Solutions, LLC**, St.
Louis, MO (US)

(**) Term: **14 Years**

(21) Appl. No.: **29/466,564**

(22) Filed: **Sep. 9, 2013**

(51) **LOC (10) Cl.** **14-01**

(52) **U.S. Cl.**
USPC **D14/205; D14/218**

(58) **Field of Classification Search**
CPC H04R 25/00
USPC D14/205, 218, 188, 192, 240, 155, 225;
D13/168; D21/566; D10/104.1;
D16/202; 379/428.01, 433.01–433.04,
379/420.01–420.04; 455/352–355;
381/380, 381; 340/12.22

See application file for complete search history.

(56) **References Cited**

U.S. PATENT DOCUMENTS

D303,638 S *	9/1989	Andrews et al.	D10/106.1
D306,853 S *	3/1990	Mayo et al.	D13/168
D317,593 S *	6/1991	Rowen	D13/168
D318,670 S *	7/1991	Taniguchi	D14/205
D326,655 S *	6/1992	Iribe	D14/192
D330,522 S *	10/1992	Mokhtarian	D10/104.1
D334,043 S *	3/1993	Taniguchi et al.	D14/218

D344,522 S *	2/1994	Taniguchi	D14/218
D355,895 S *	2/1995	Soren et al.	D14/240
5,481,251 A *	1/1996	Buys et al.	340/12.22
D384,072 S *	9/1997	Ng	D14/192
D418,141 S *	12/1999	Godette et al.	D14/218
D426,529 S *	6/2000	Lohrding et al.	D14/137
D463,787 S *	10/2002	Beraut et al.	D14/218
D496,003 S *	9/2004	Spira	D13/168
D546,837 S *	7/2007	Yeo	D14/496
D548,195 S *	8/2007	Poulet	D13/168
D550,703 S *	9/2007	Koizumi	D14/496
D567,218 S *	4/2008	Viduya et al.	D14/205
D589,941 S *	4/2009	Maier et al.	D14/218
D596,623 S *	7/2009	Laine	D14/218
D603,837 S *	11/2009	Martin	D14/206
D614,166 S *	4/2010	Brickstad	D14/205
D614,168 S *	4/2010	Rogers et al.	D14/206
D614,604 S *	4/2010	Hoehn et al.	D14/218
D624,902 S *	10/2010	Kolton	D14/205
D646,232 S *	10/2011	Felegy et al.	D13/168
D685,750 S *	7/2013	Nakagawa	D13/168

* cited by examiner

Primary Examiner — Paula Greene

(74) *Attorney, Agent, or Firm* — Harness, Dickey & Pierce,
P.L.C.

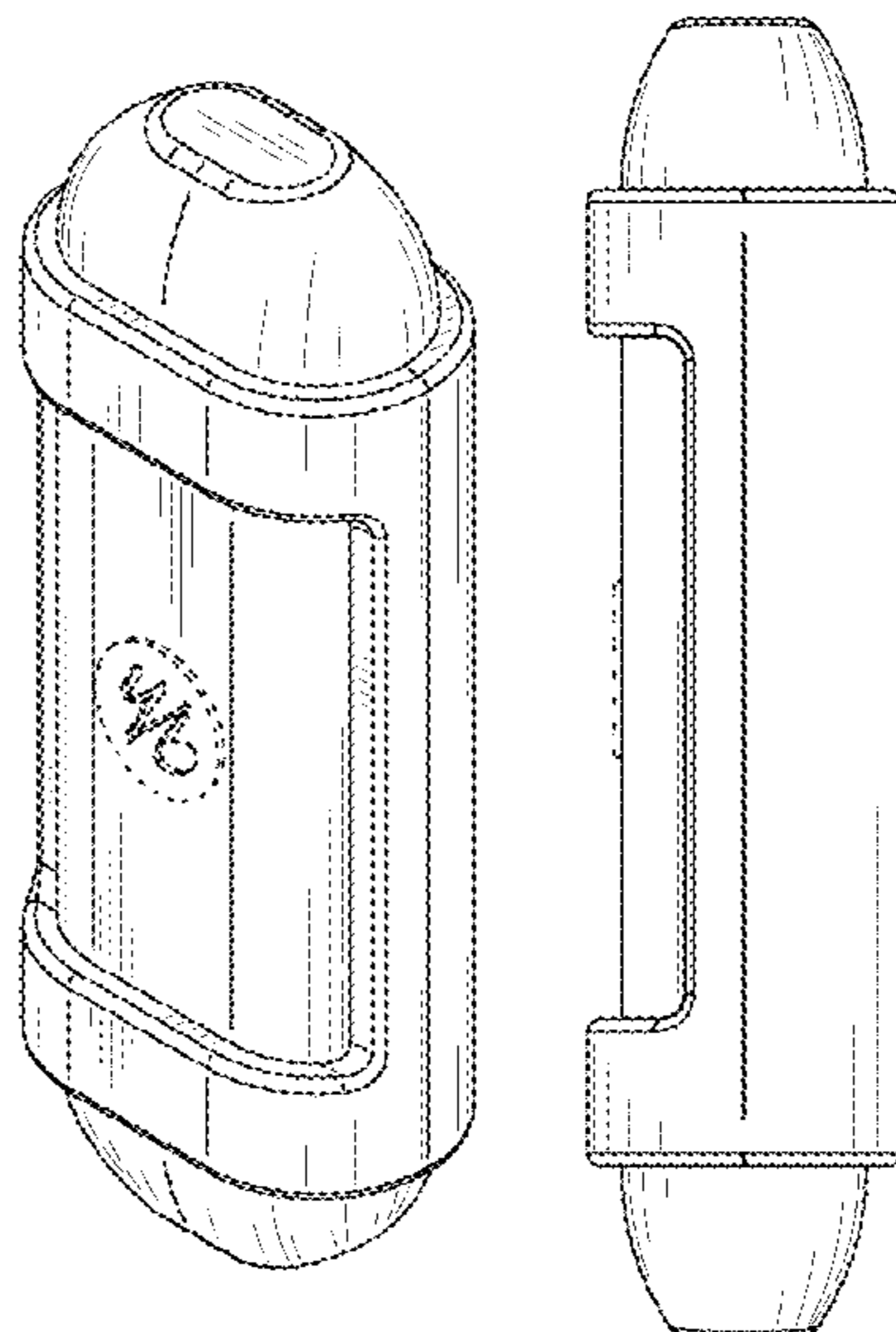
(57) **CLAIM**

The ornamental design for a controller, as shown and described.

DESCRIPTION

FIG. 1 is a perspective view of a controller for earbuds or earphones in accordance with our new design;
FIG. 2 is a front elevation view thereof;
FIG. 3 is a rear elevation view thereof;
FIG. 4 is a top plan view thereof;
FIG. 5 is a bottom plan view thereof;
FIG. 6 is a left side elevation view thereof; and,
FIG. 7 is a right side elevation view thereof.
The broken lines form no part of the claimed design.

1 Claim, 4 Drawing Sheets



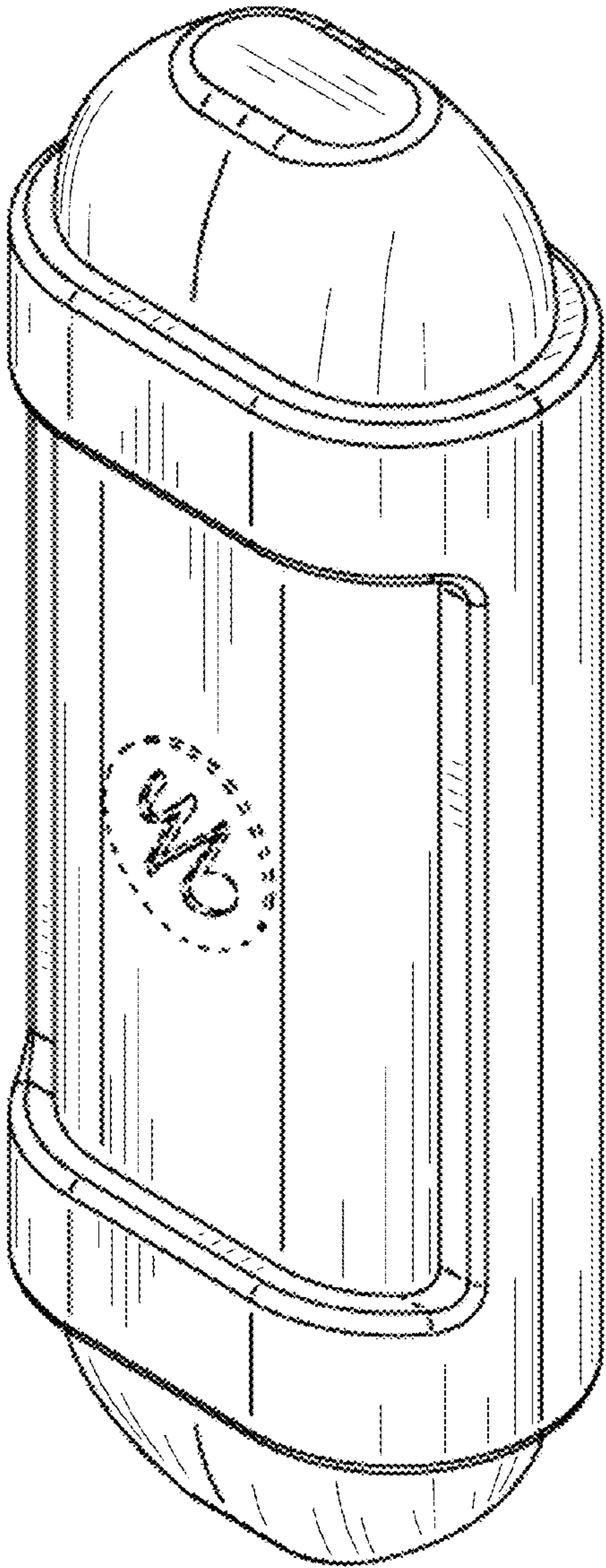


Fig. 1

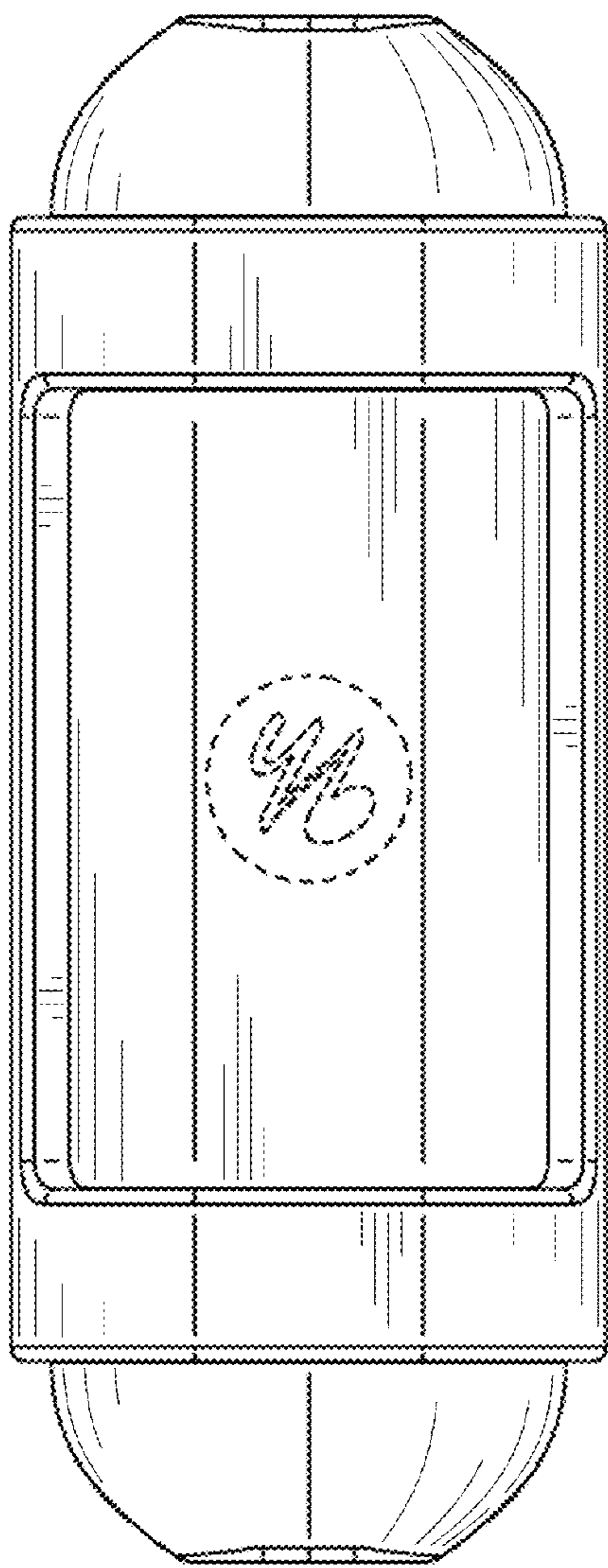


Fig. 2

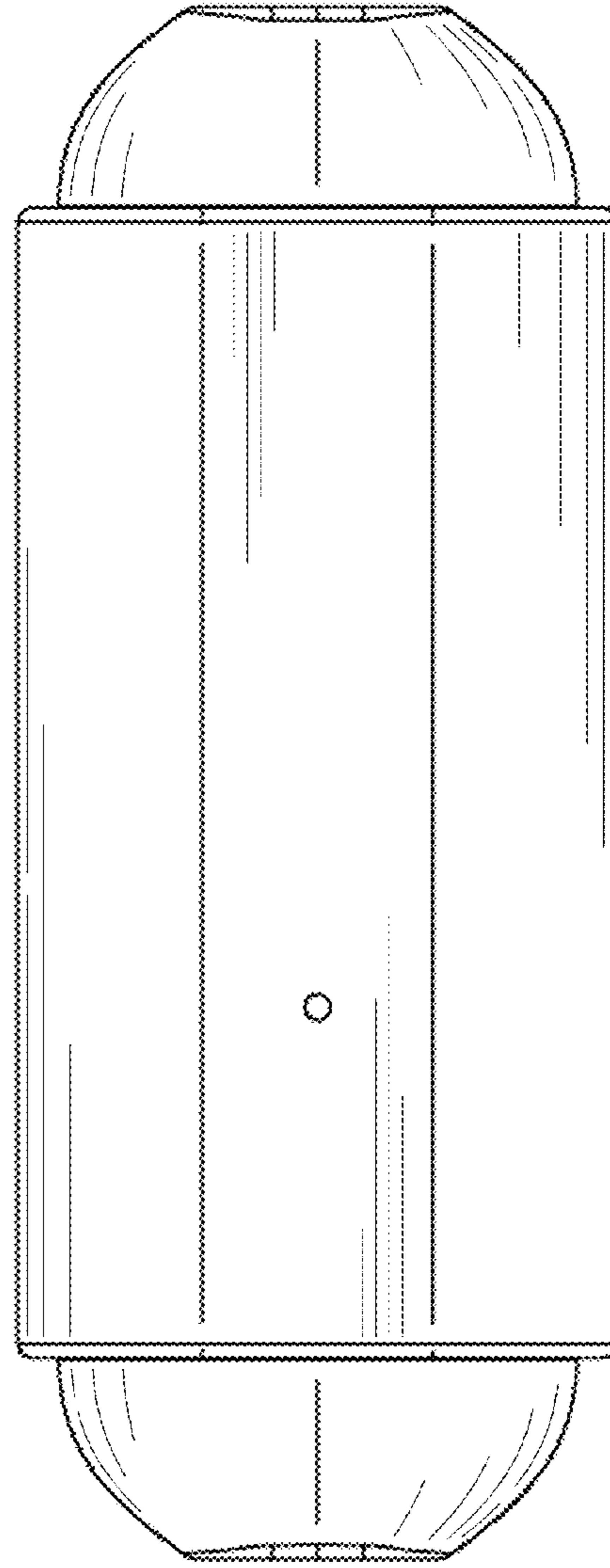


Fig. 3

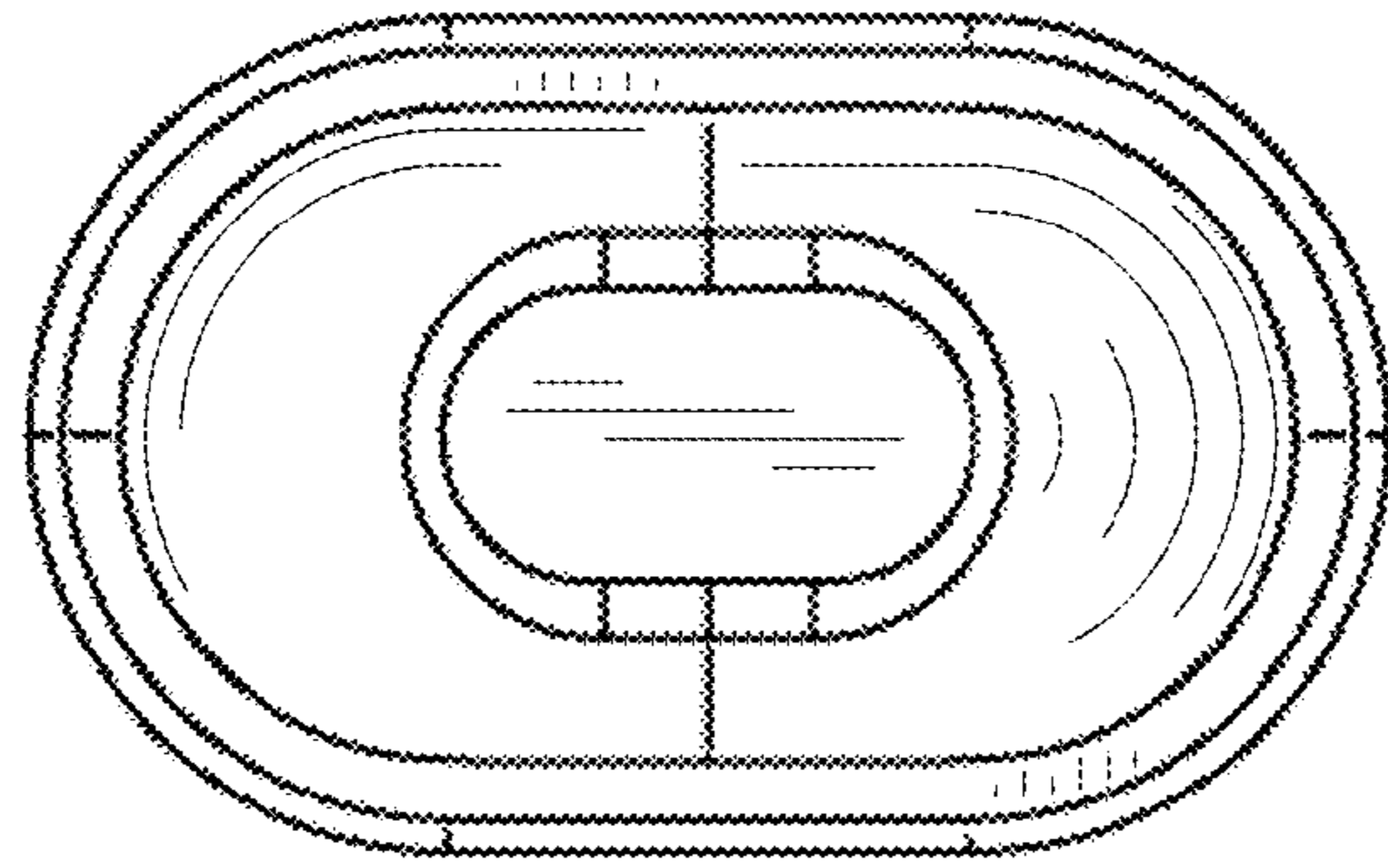


Fig. 4

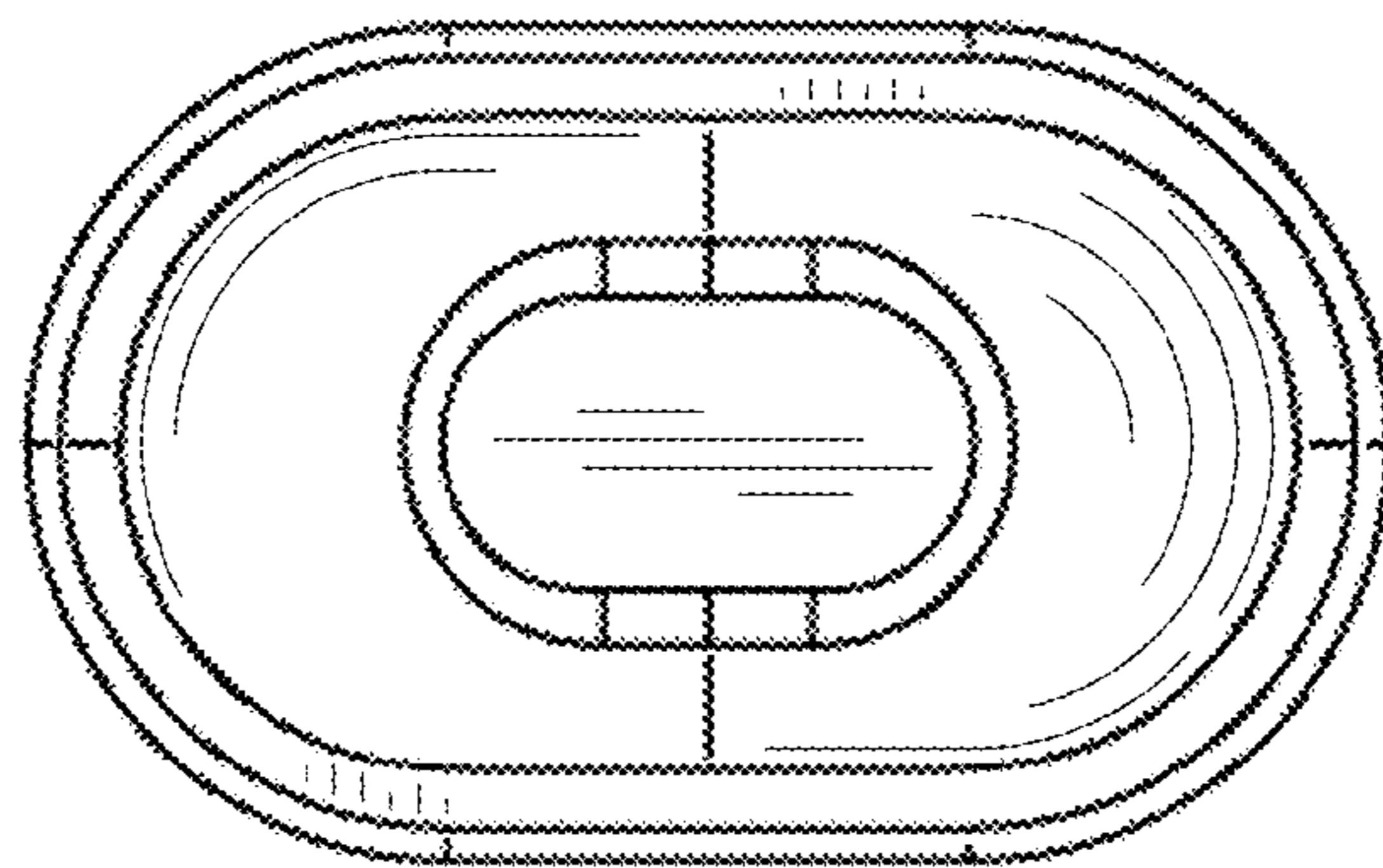


Fig. 5

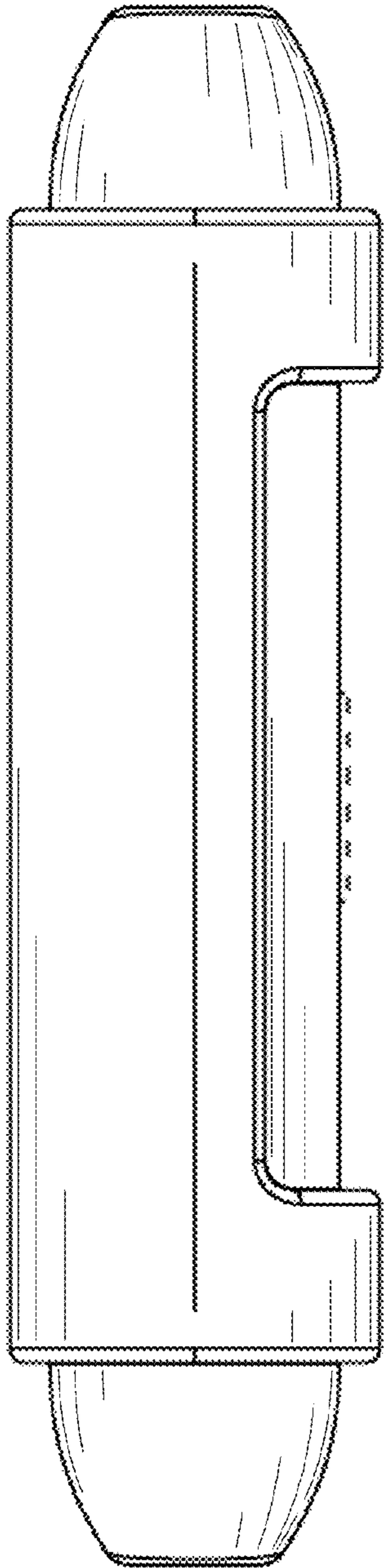


Fig. 6

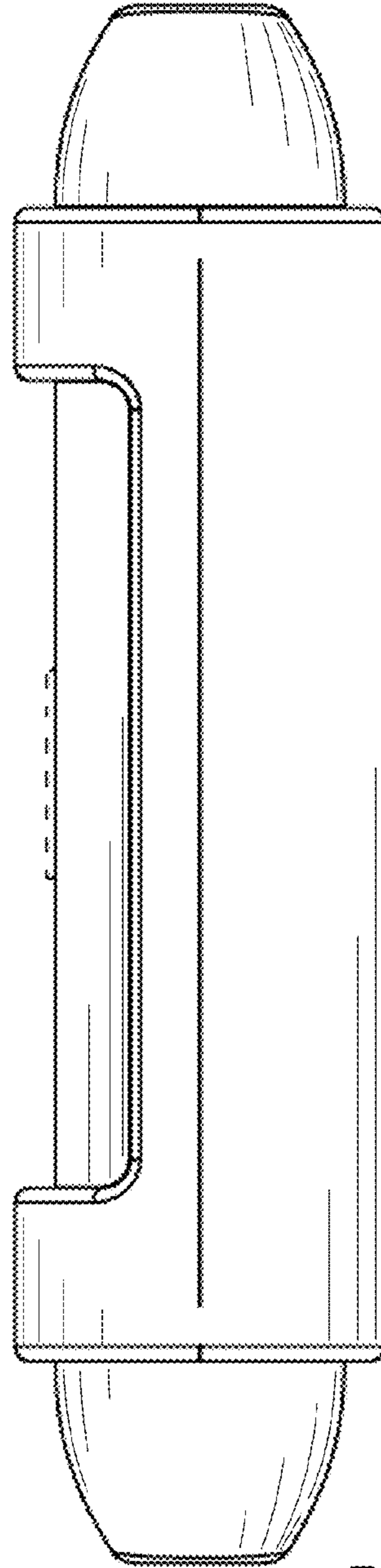


Fig. 7