



US00D716757S

(12) **United States Design Patent**
Kang et al.

(10) **Patent No.:** **US D716,757 S**

(45) **Date of Patent:** **** Nov. 4, 2014**

(54) **SPEAKER**

(71) Applicant: **Samsung Electronics Co., Ltd.**,
Suwon-si (KR)

(72) Inventors: **Dan-Bi Kang**, Seoul (KR);
Kyong-Hoon Kim, Seongnam-si (KR)

(73) Assignee: **Samsung Electronics Co., Ltd.** (KR)

(**) Term: **14 Years**

(21) Appl. No.: **29/477,627**

(22) Filed: **Dec. 24, 2013**

(30) **Foreign Application Priority Data**

Jun. 25, 2013 (KR) 30-2013-0032605

(51) **LOC (10) Cl.** **14-03**

(52) **U.S. Cl.**
USPC **D14/204**

(58) **Field of Classification Search**
USPC D14/167, 168, 170-172, 188, 194-196,
D14/204, 207, 209.1, 210-216, 219, 221,
D14/222, 224; 181/143, 144, 147, 148, 150,
181/153, 157, 198, 199; 381/300-303, 306,
381/332, 333, 336, 345, 361-364,
381/386-388; 369/6-12

See application file for complete search history.

(56) **References Cited**

U.S. PATENT DOCUMENTS

5,105,906 A * 4/1992 Wegner 181/156
D394,263 S * 5/1998 Fischer D14/214

D431,551 S * 10/2000 Wegner D14/210
D438,858 S * 3/2001 del Castillo D14/188
D445,818 S * 7/2001 Tucakov D16/222
D622,256 S * 8/2010 Lockenwitz D14/155
D654,862 S * 2/2012 Holthusen D13/107
D659,119 S * 5/2012 Brunner et al. D14/209.1
D700,888 S * 3/2014 Serfoss D13/108
8,699,743 B2 * 4/2014 Moomey 381/386

* cited by examiner

Primary Examiner — Keli L Hill

(74) *Attorney, Agent, or Firm* — Cantor Colburn LLP

(57) **CLAIM**

We claim, the ornamental design for a speaker, as shown and described.

DESCRIPTION

FIG. 1 is a front perspective view of a speaker showing our new design;
FIG. 2 is a front elevation view of thereof;
FIG. 3 is a rear elevation view of thereof;
FIG. 4 is a side elevation view of thereof;
FIG. 5 is another side elevation view of thereof;
FIG. 6 is a top plan view of thereof;
FIG. 7 is a bottom plan view of thereof;
FIG. 8 is a rear perspective view thereof; and,
FIG. 9 is another front perspective view thereof, as shown in another configuration.

The broken lines illustrating portions of the speaker are for environmental purpose only and form no part of the claimed design.

The shade lines in the figures show contour and not surface ornamentation.

1 Claim, 9 Drawing Sheets

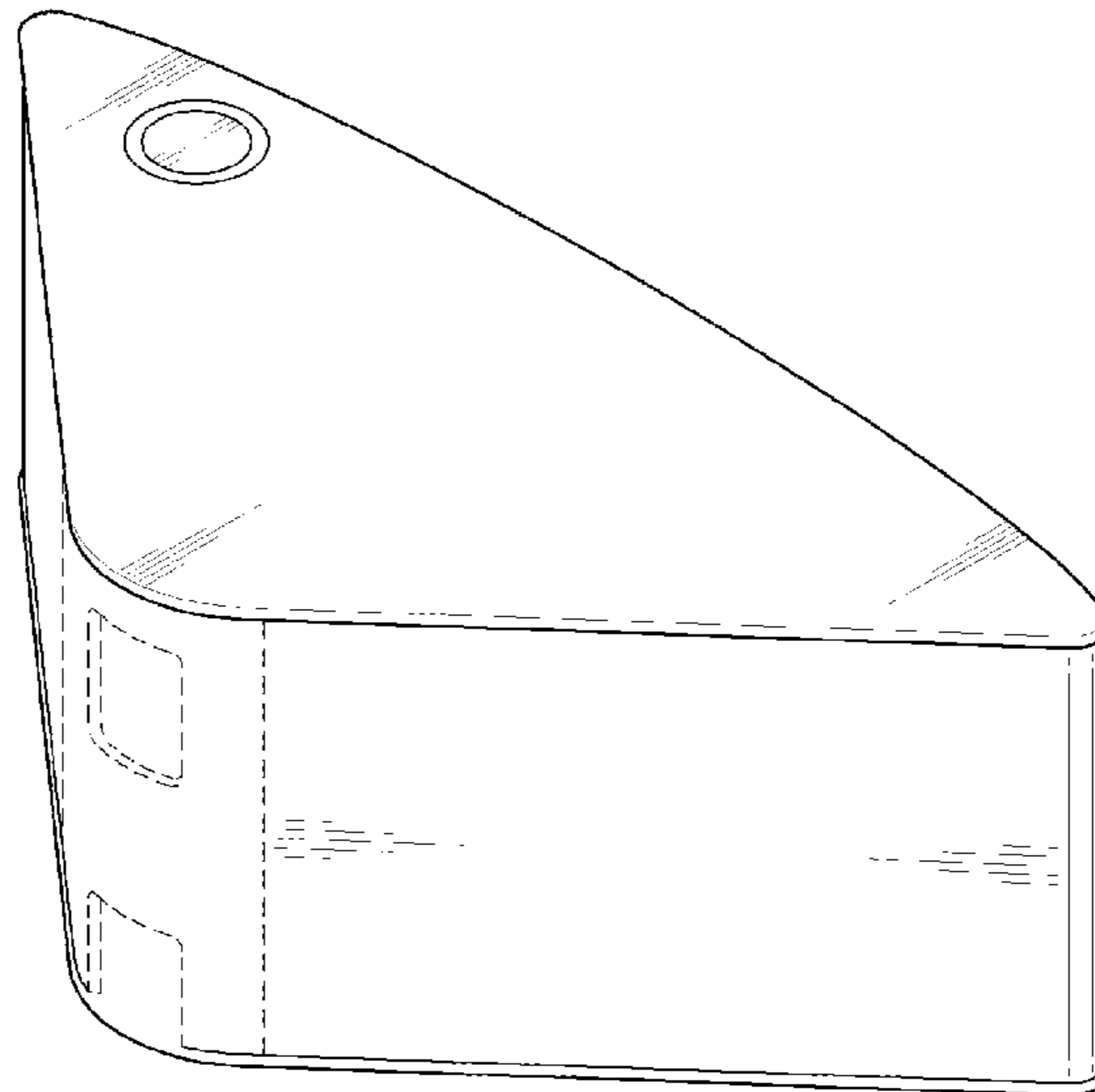
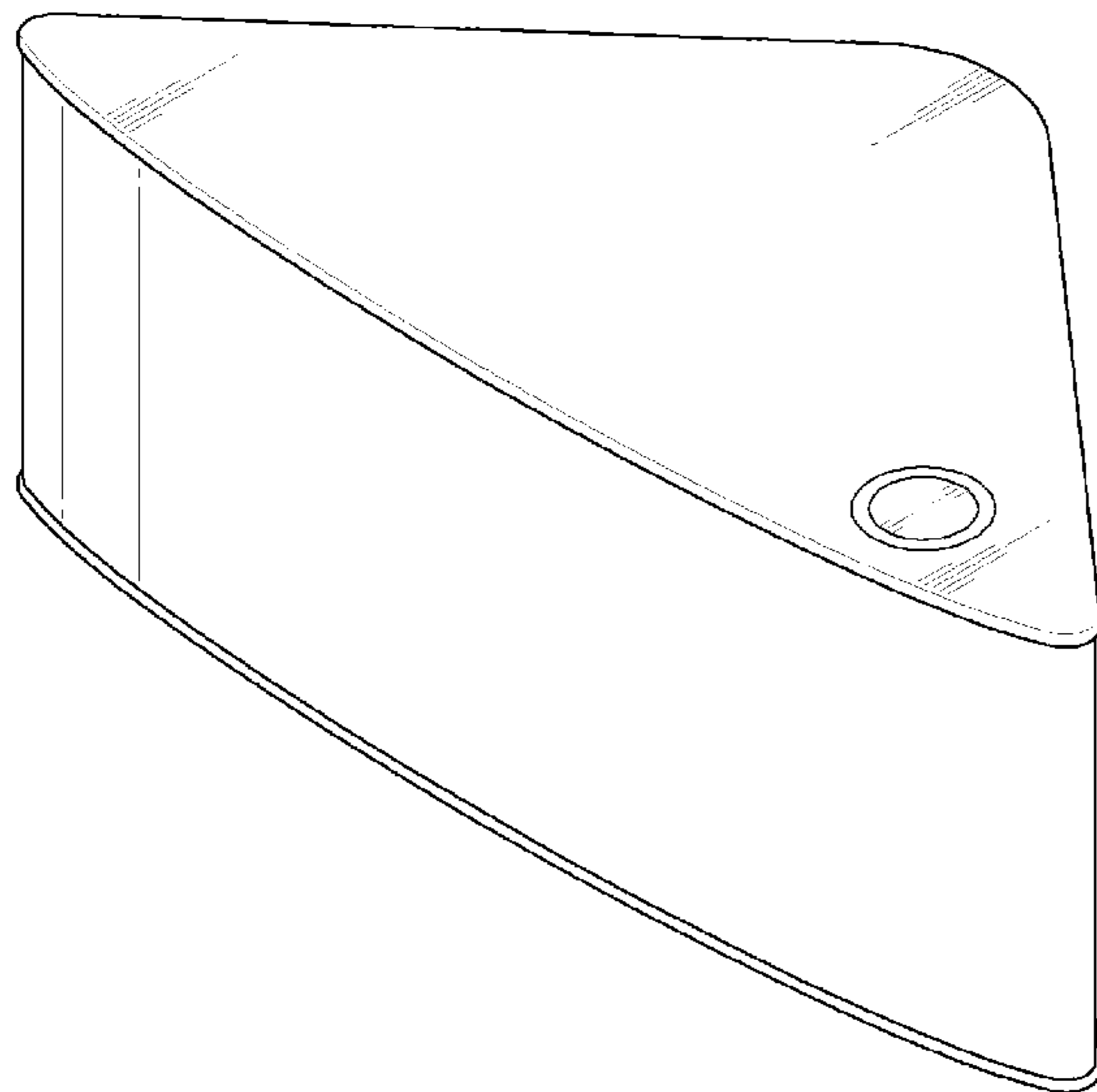


FIG.1

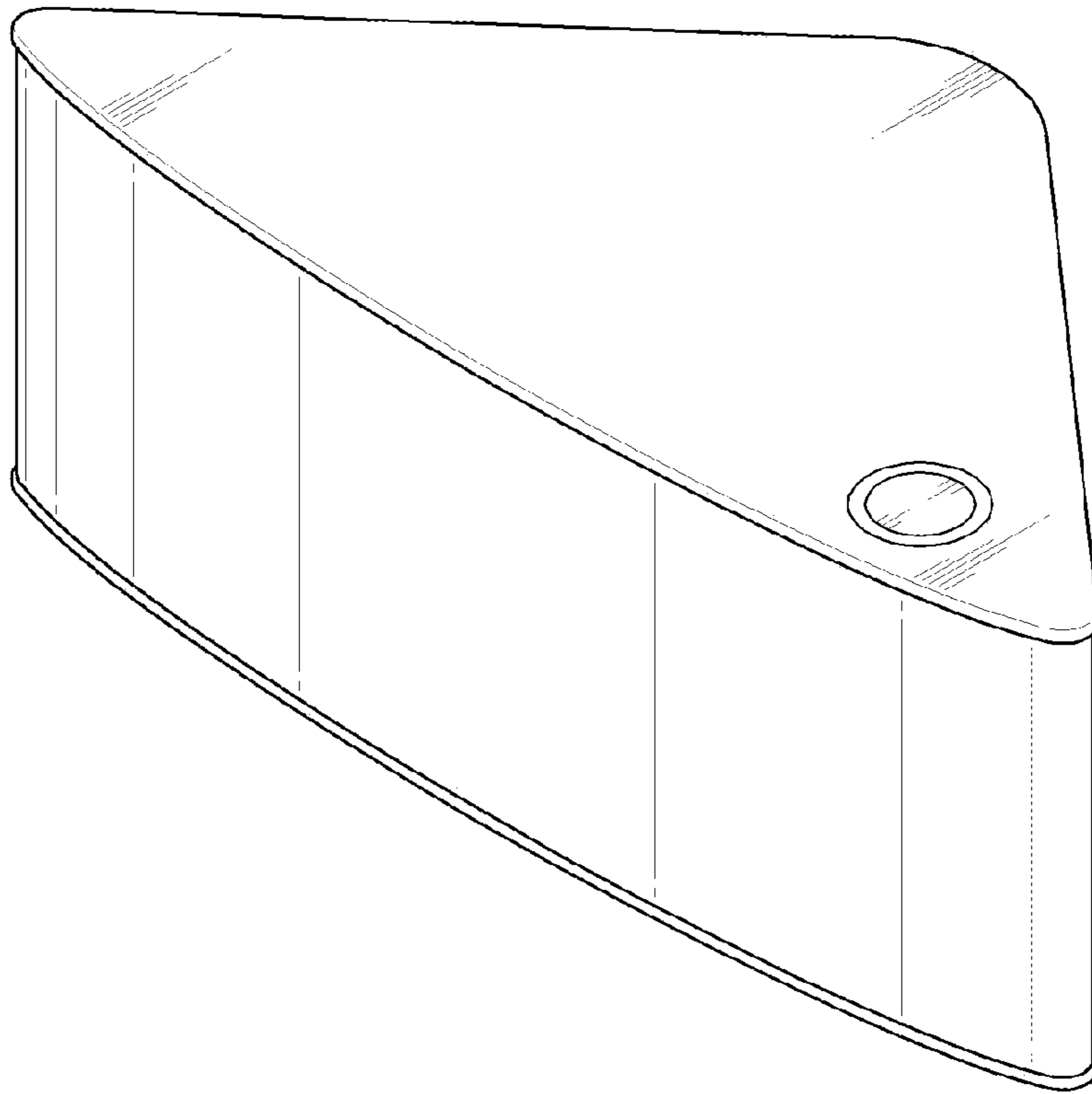


FIG.2

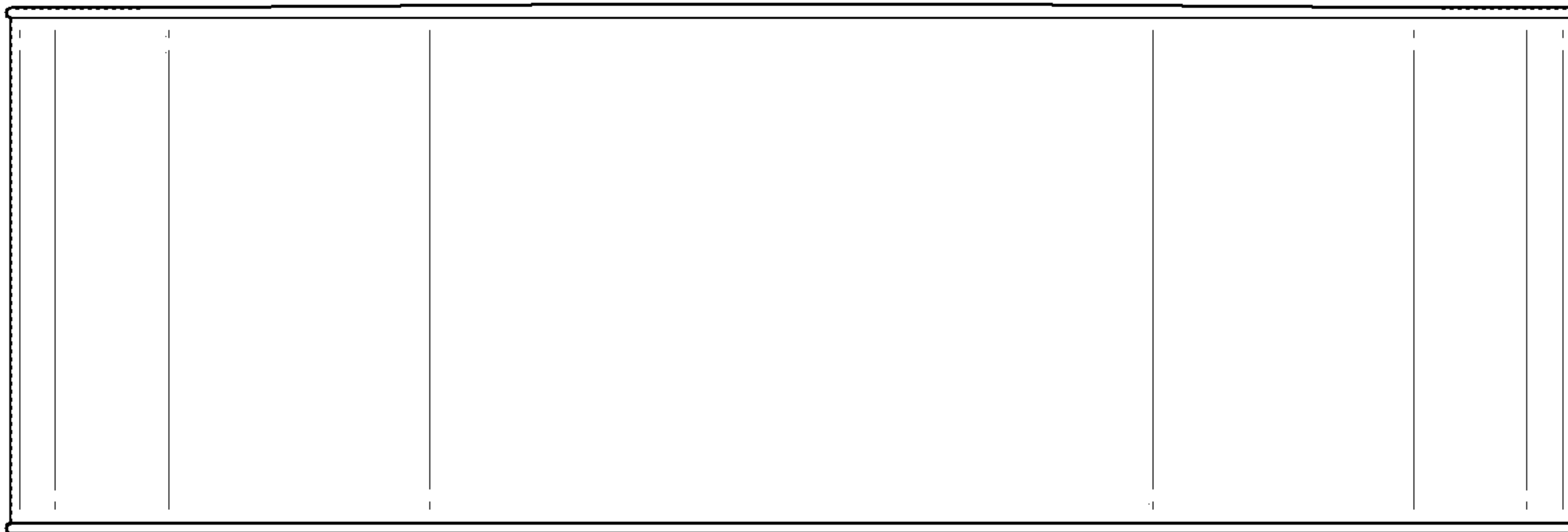


FIG.3

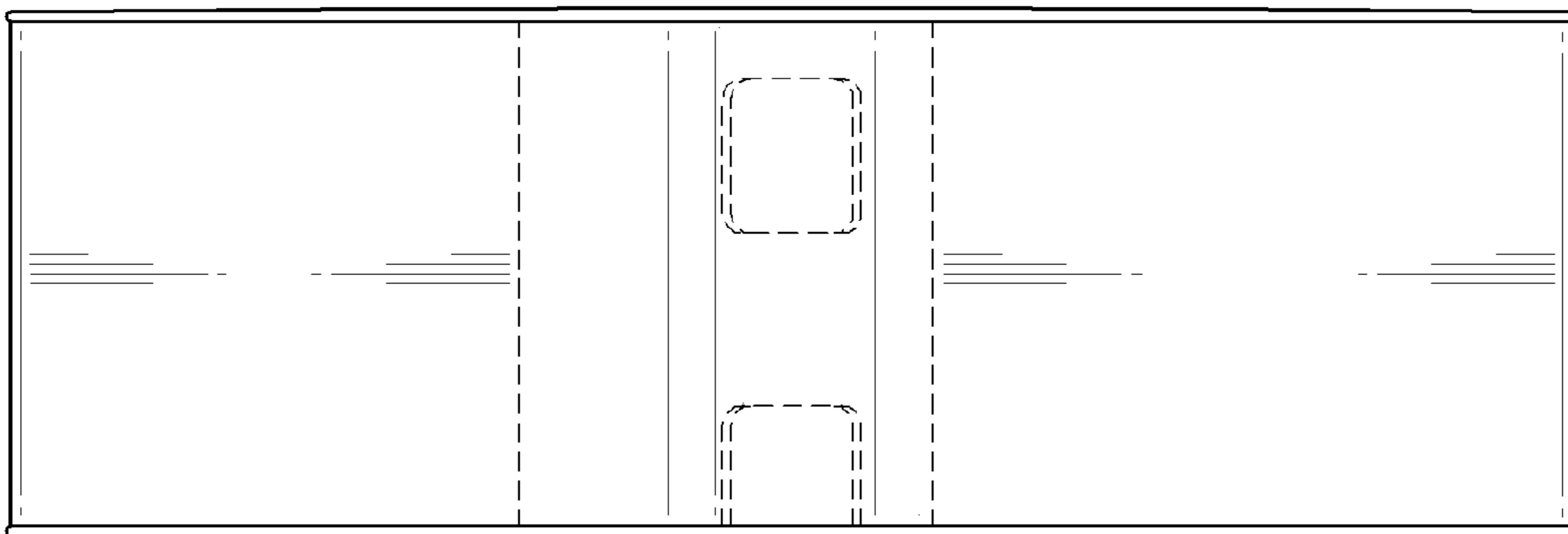


FIG. 4

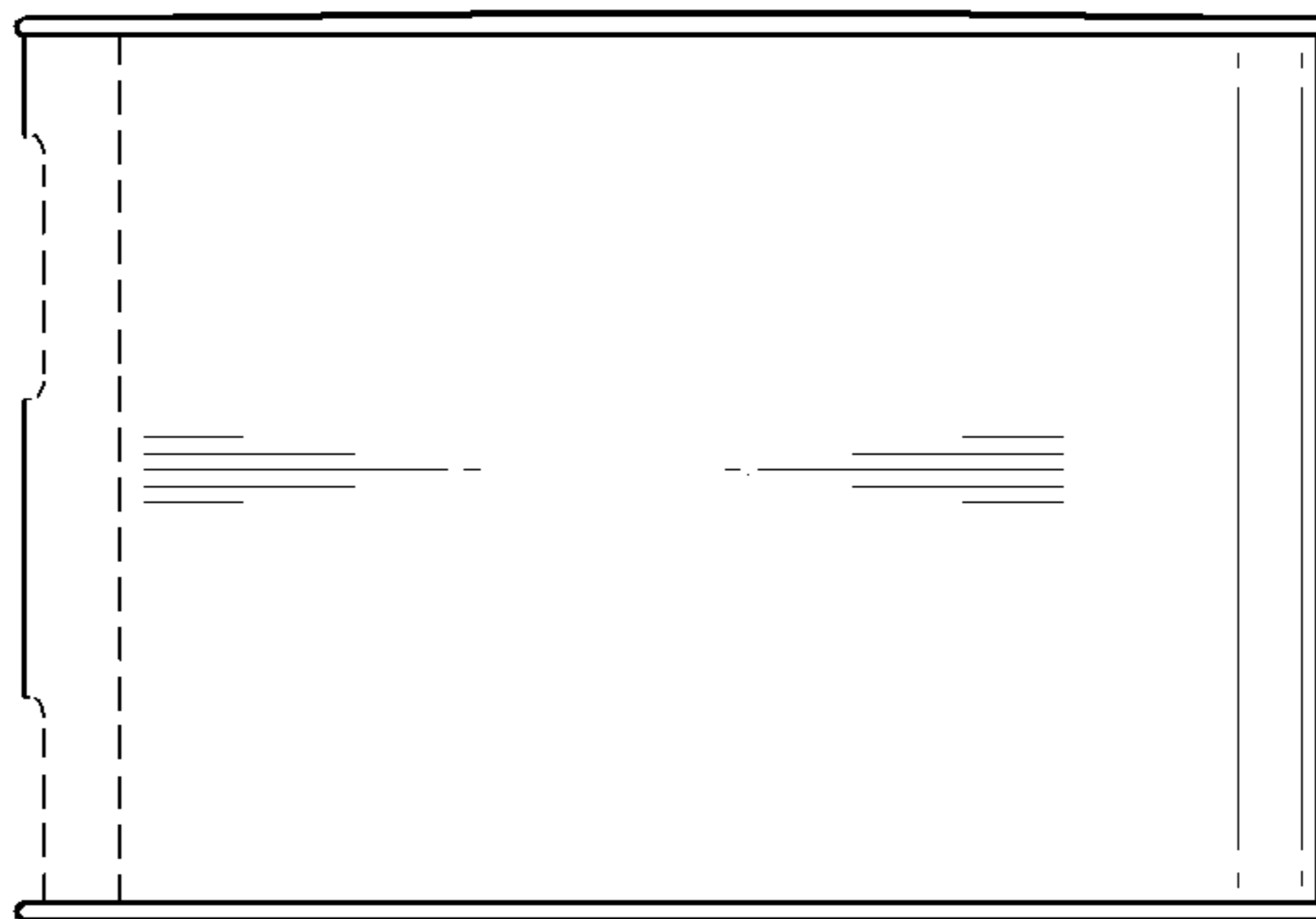


FIG.5

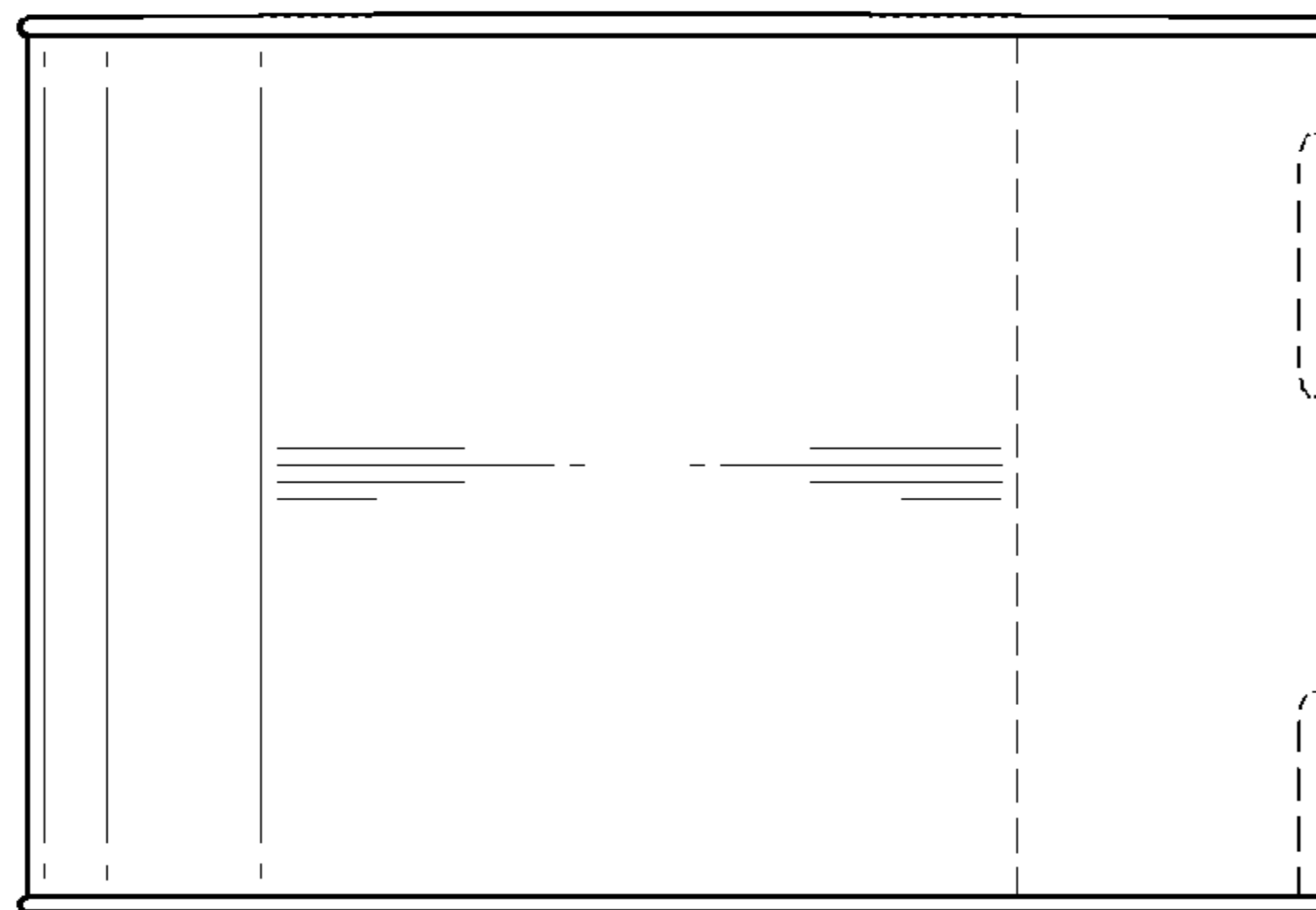


FIG.6

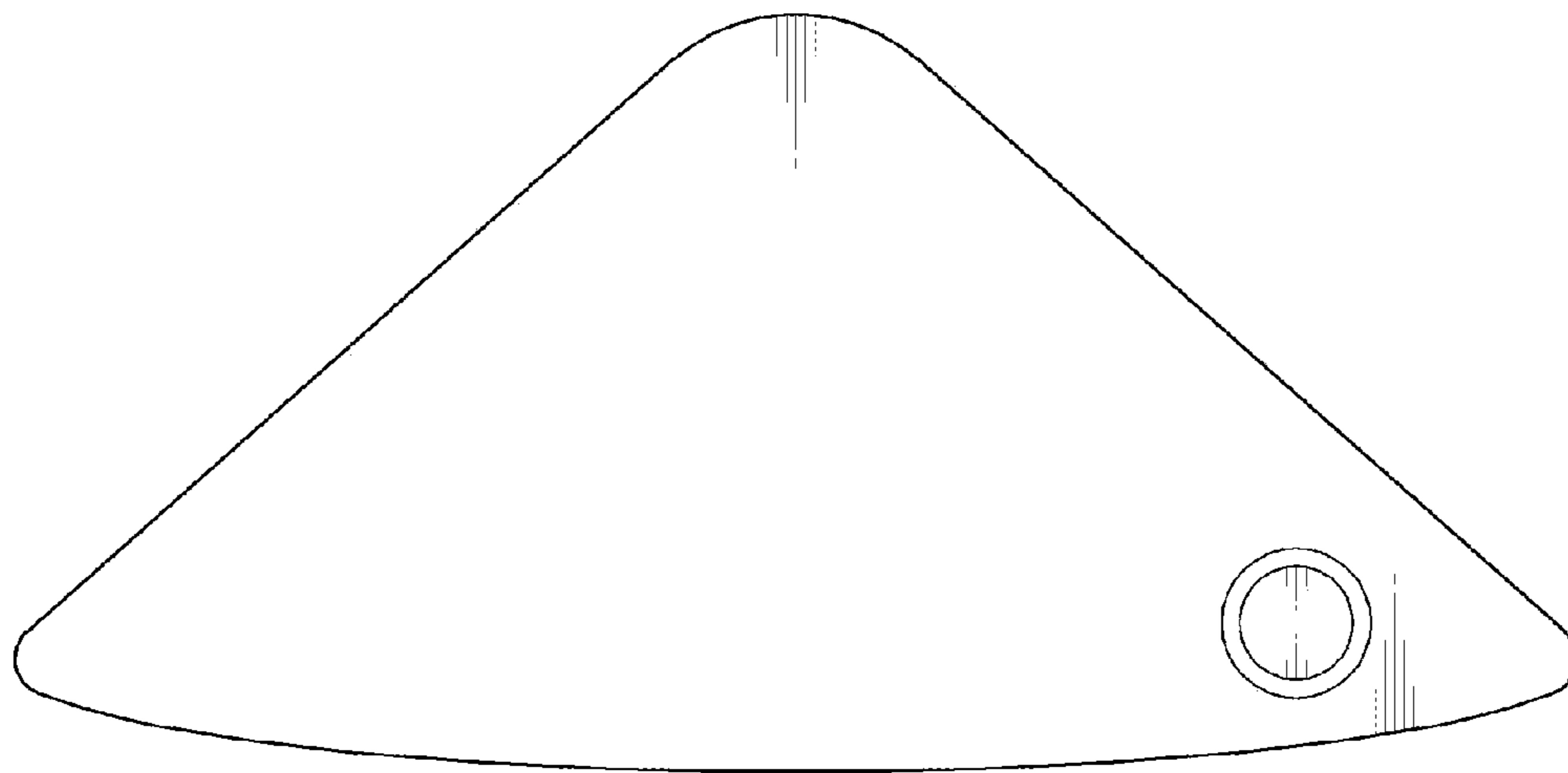


FIG.7

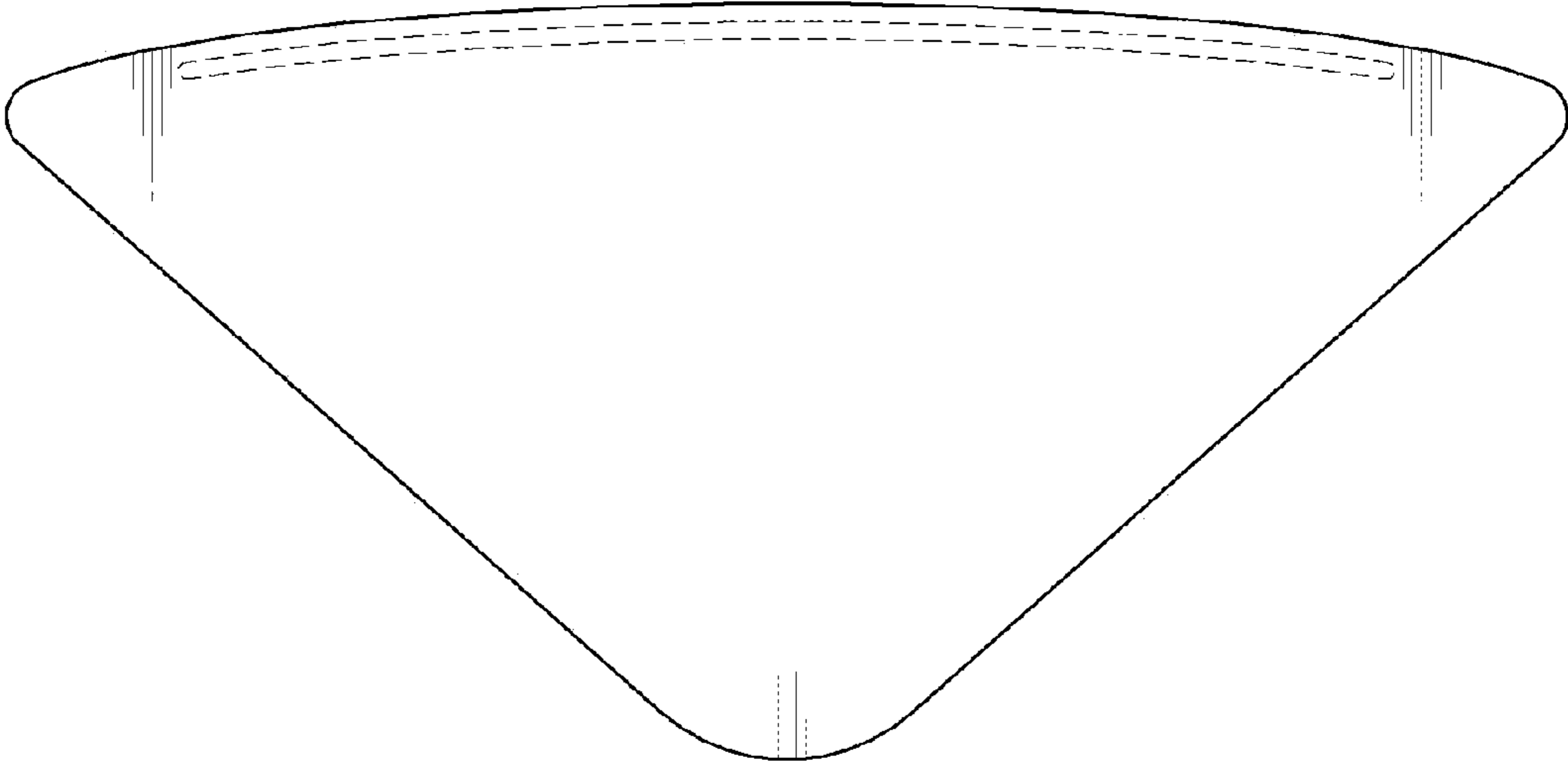


FIG. 8

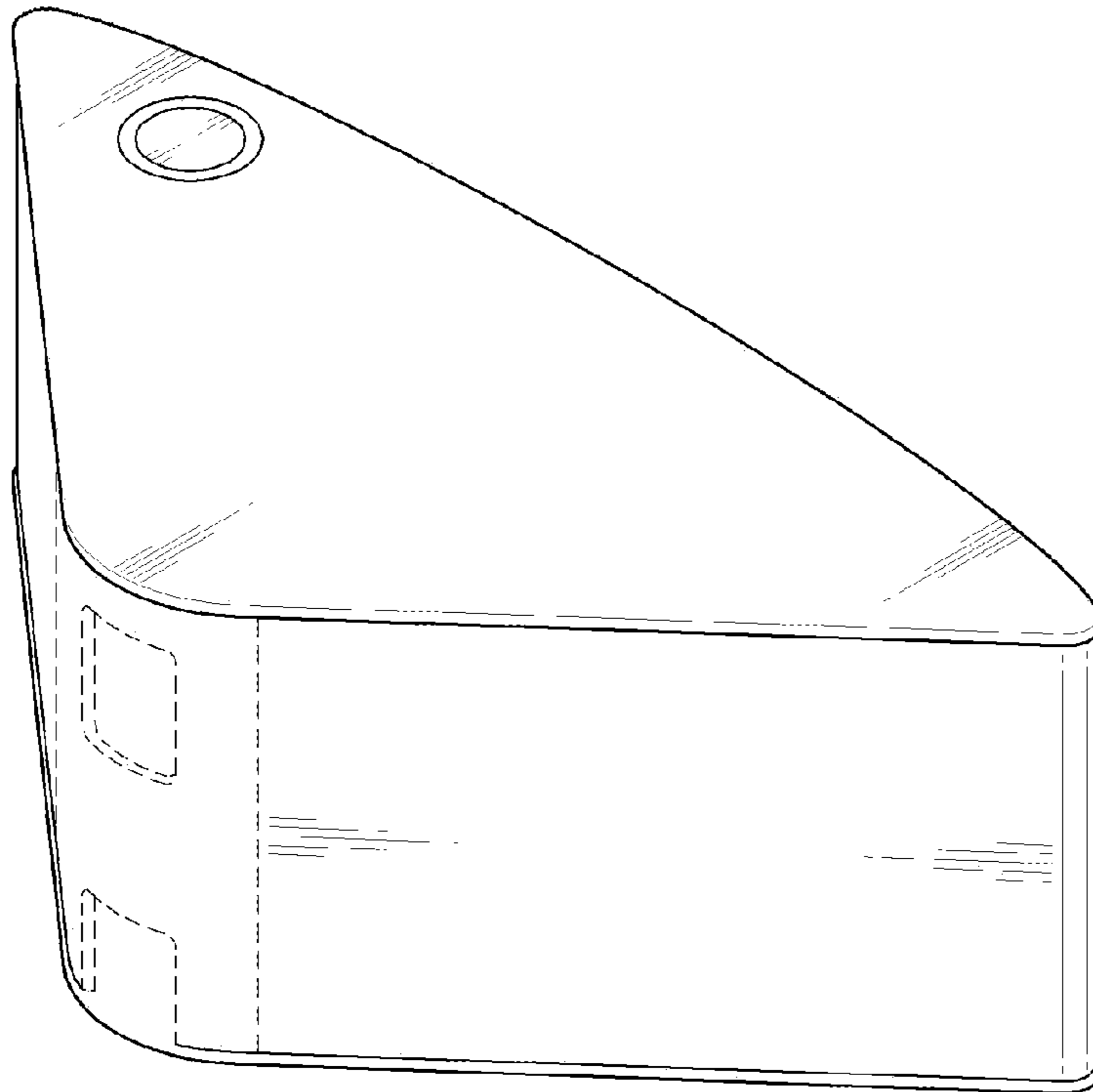


FIG.9

