



US00D716753S

(12) **United States Design Patent**
Deng

(10) **Patent No.:** **US D716,753 S**

(45) **Date of Patent:** **** Nov. 4, 2014**

(54) **BABY MONITOR BASED ON INTERNET ACCESS**

(71) Applicant: **Shenzhen Foscam Intelligent Technology Co., Ltd., Guangdong (CN)**

(72) Inventor: **Sanwei Deng, Shenzhen (CN)**

(73) Assignee: **Shenzhen Foscam Intelligent Technology Co., Ltd., Shenzhen (CN)**

(**) Term: **14 Years**

(21) Appl. No.: **29/484,391**

(22) Filed: **Mar. 10, 2014**

(51) **LOC (10) Cl.** **14-03**

(52) **U.S. Cl.**
USPC **D14/159**

(58) **Field of Classification Search**
USPC D14/167, 154, 168, 188, 496, 156, 160,
D14/161, 162, 163, 164, 165, 158, 253, 192,
D14/159, 155, 138 AB, 137, 104.1; 455/351,
455/350, 353; D10/104, 106, 65, 78;
340/573.4, 573.1

See application file for complete search history.

(56) **References Cited**

U.S. PATENT DOCUMENTS

D339,540 S * 9/1993 Chapelsky D14/159
D421,577 S * 3/2000 Fenner D14/159

D424,958 S * 5/2000 Nowak D10/104.1
D430,052 S * 8/2000 Nowak D10/104.1
D440,899 S * 4/2001 Heath D14/159
D464,583 S * 10/2002 Gubitosi D14/159
D484,427 S * 12/2003 Ng D14/159
D500,067 S * 12/2004 Liu D16/202
D637,173 S * 5/2011 Elkerbout D14/159
D678,929 S * 3/2013 Hancock D16/203
D681,601 S * 5/2013 Gebiski D14/159
2005/0247845 A1 * 11/2005 Li et al. 248/346.5

* cited by examiner

Primary Examiner — Austin Murphy

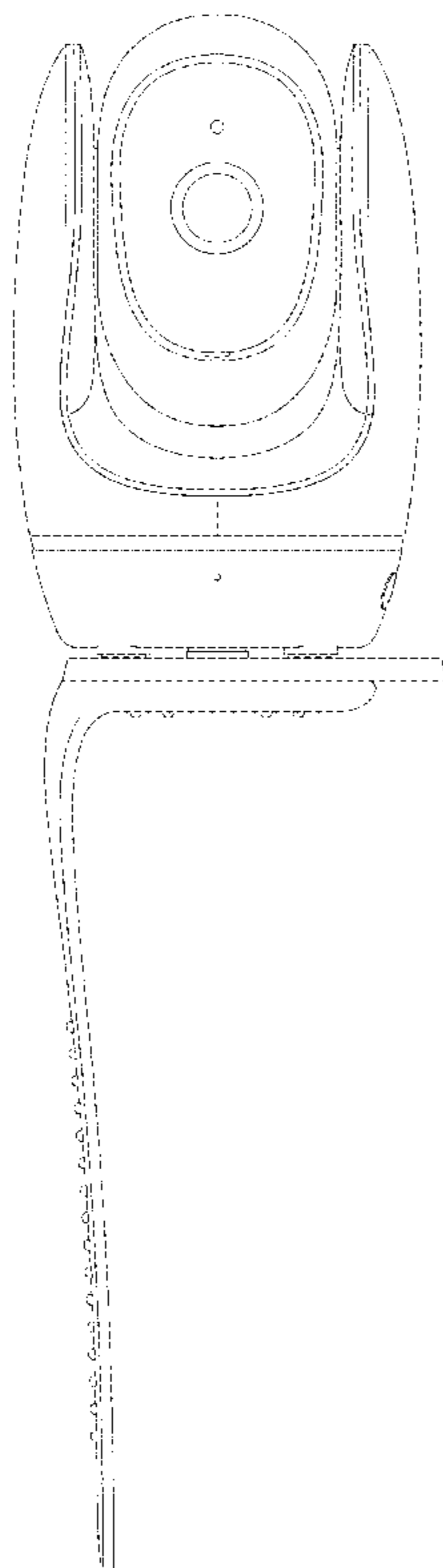
(57) **CLAIM**

The ornamental design for a baby monitor based on internet access, as shown and described.

DESCRIPTION

FIG. 1 is a front view of a baby monitor based on internet access showing my new design;
FIG. 2 is a rear view thereof;
FIG. 3 is a left side view thereof;
FIG. 4 is a right side view thereof;
FIG. 5 is a top plan view thereof;
FIG. 6 is a bottom plan view thereof;
FIG. 7 is a front perspective view thereof;
FIG. 8 is a back perspective view thereof;
FIG. 9 is another front perspective view thereof; and,
FIG. 10 is another back perspective view thereof.

1 Claim, 10 Drawing Sheets



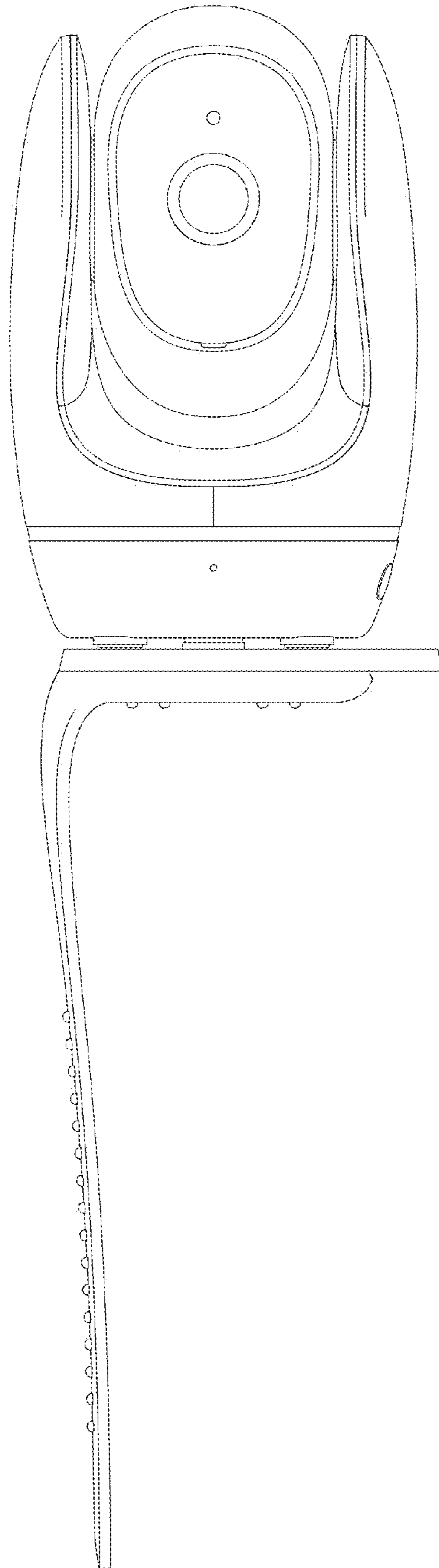


Fig. 1

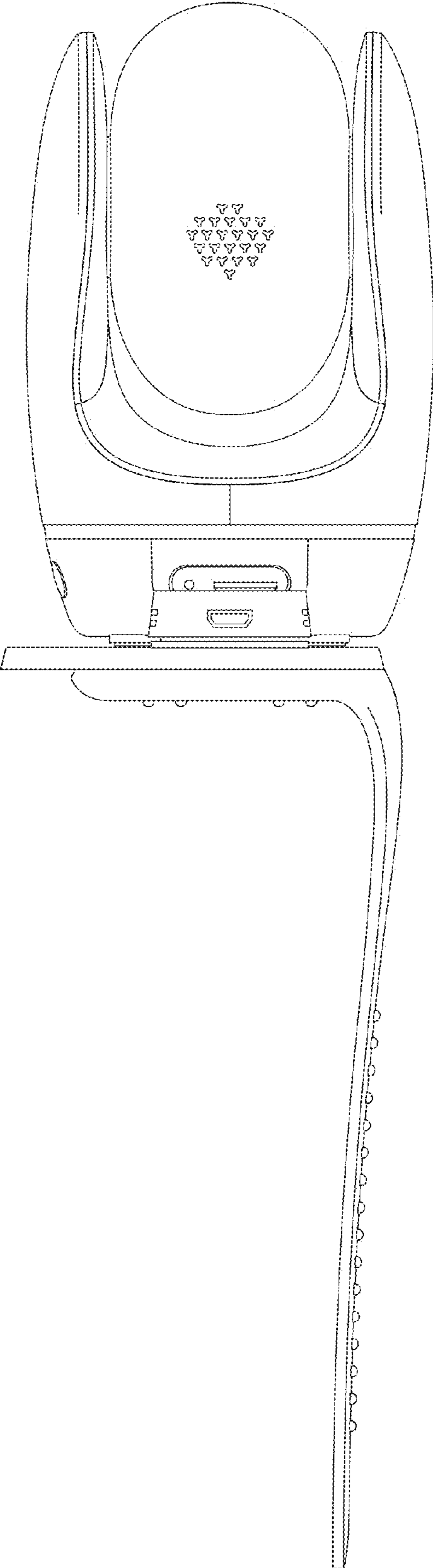


Fig. 2

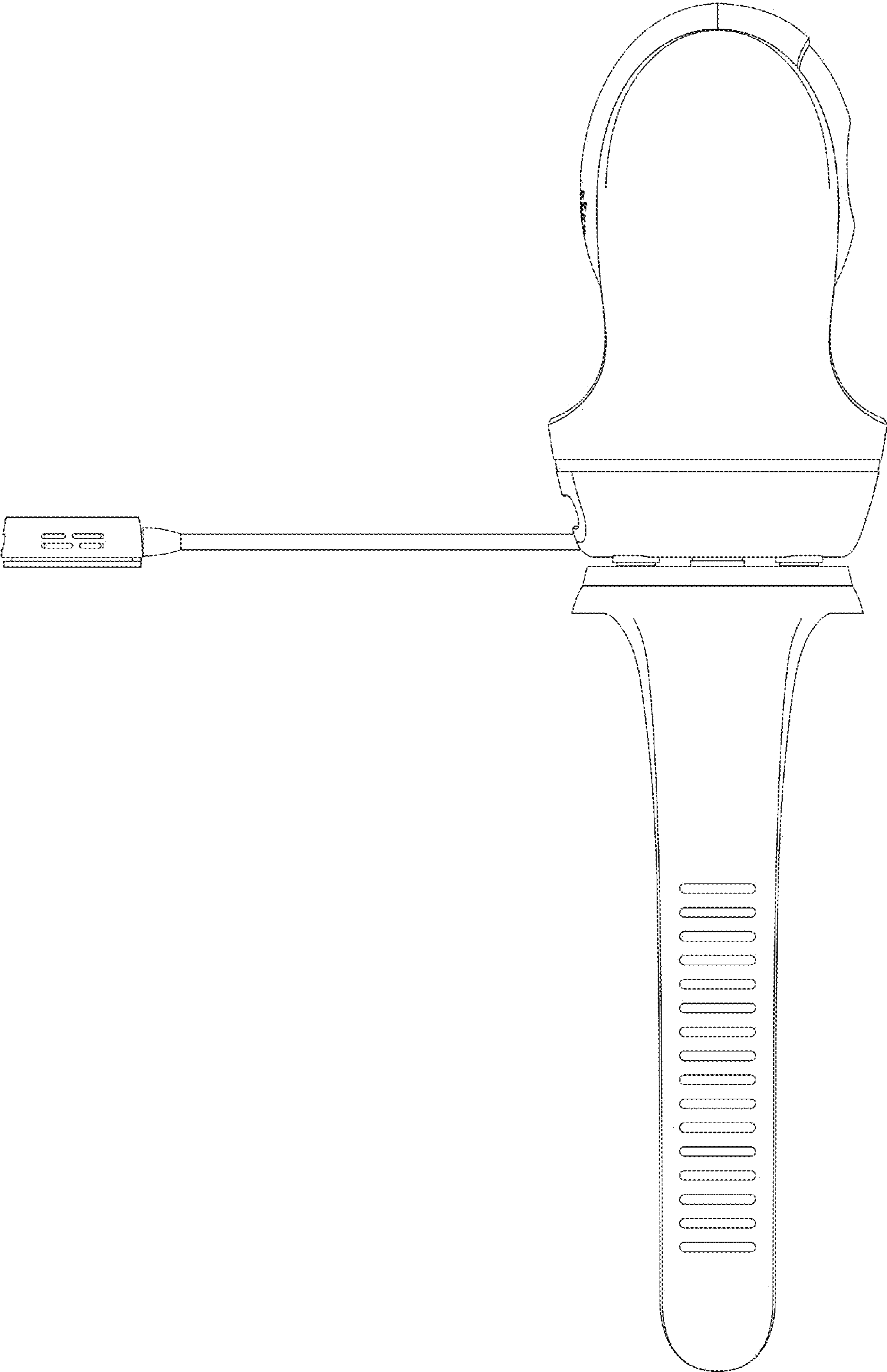


Fig. 3

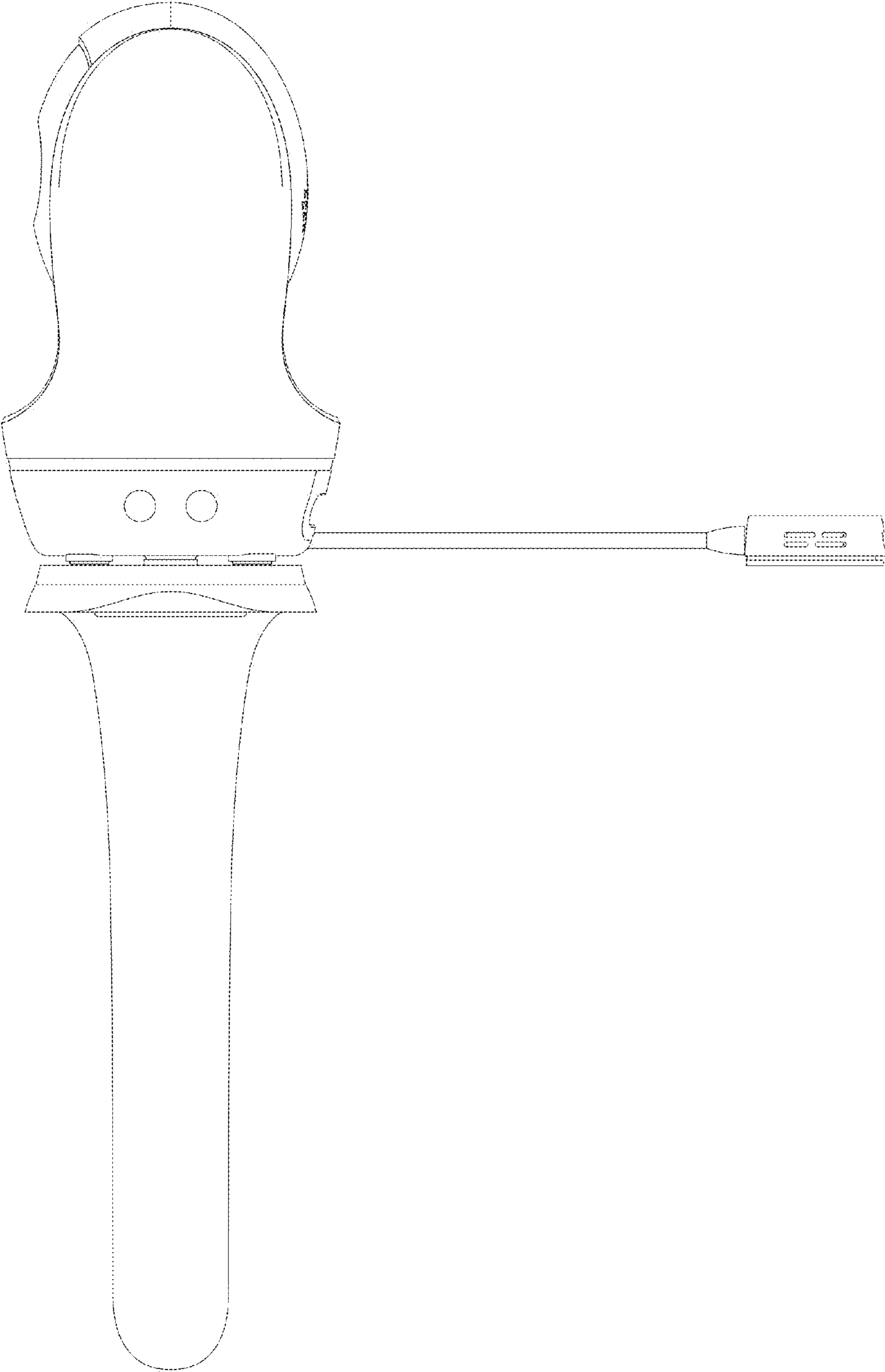


Fig. 4

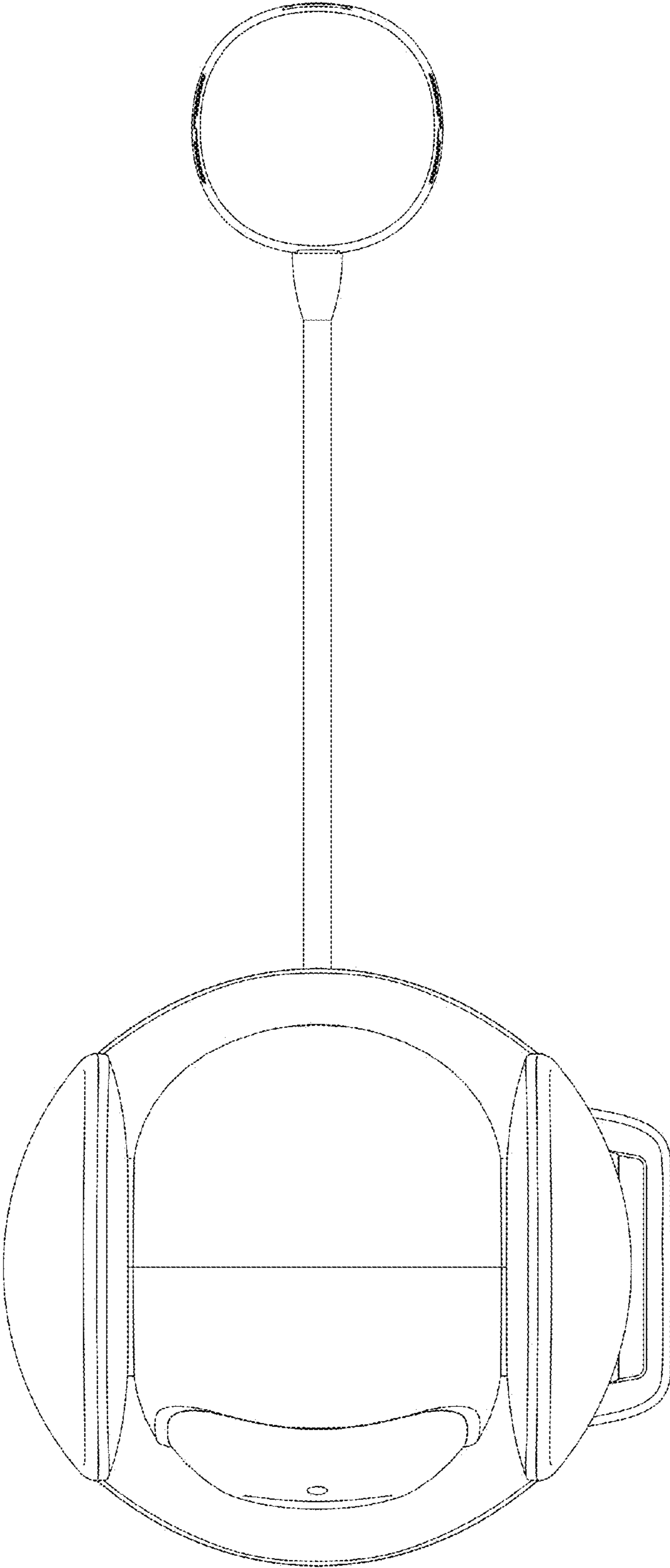


Fig. 5

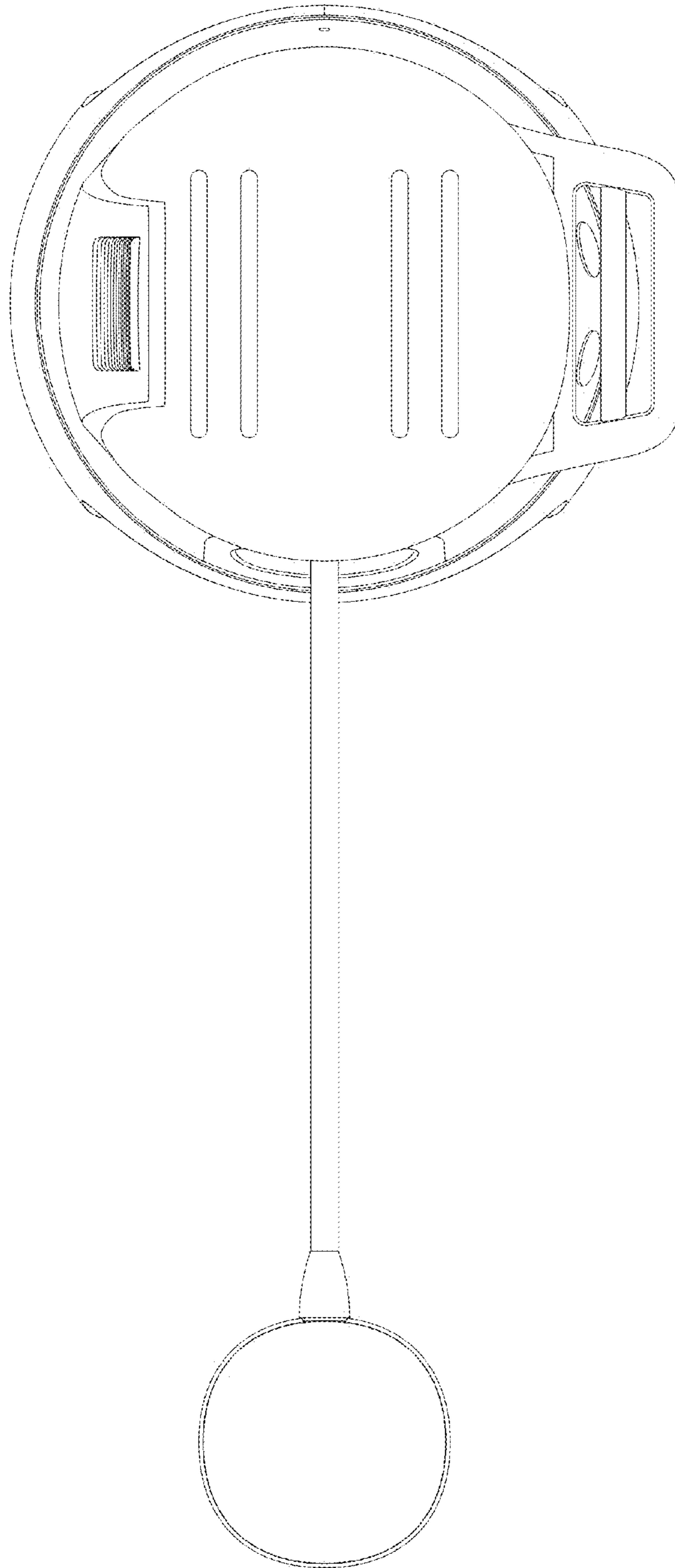


Fig. 6

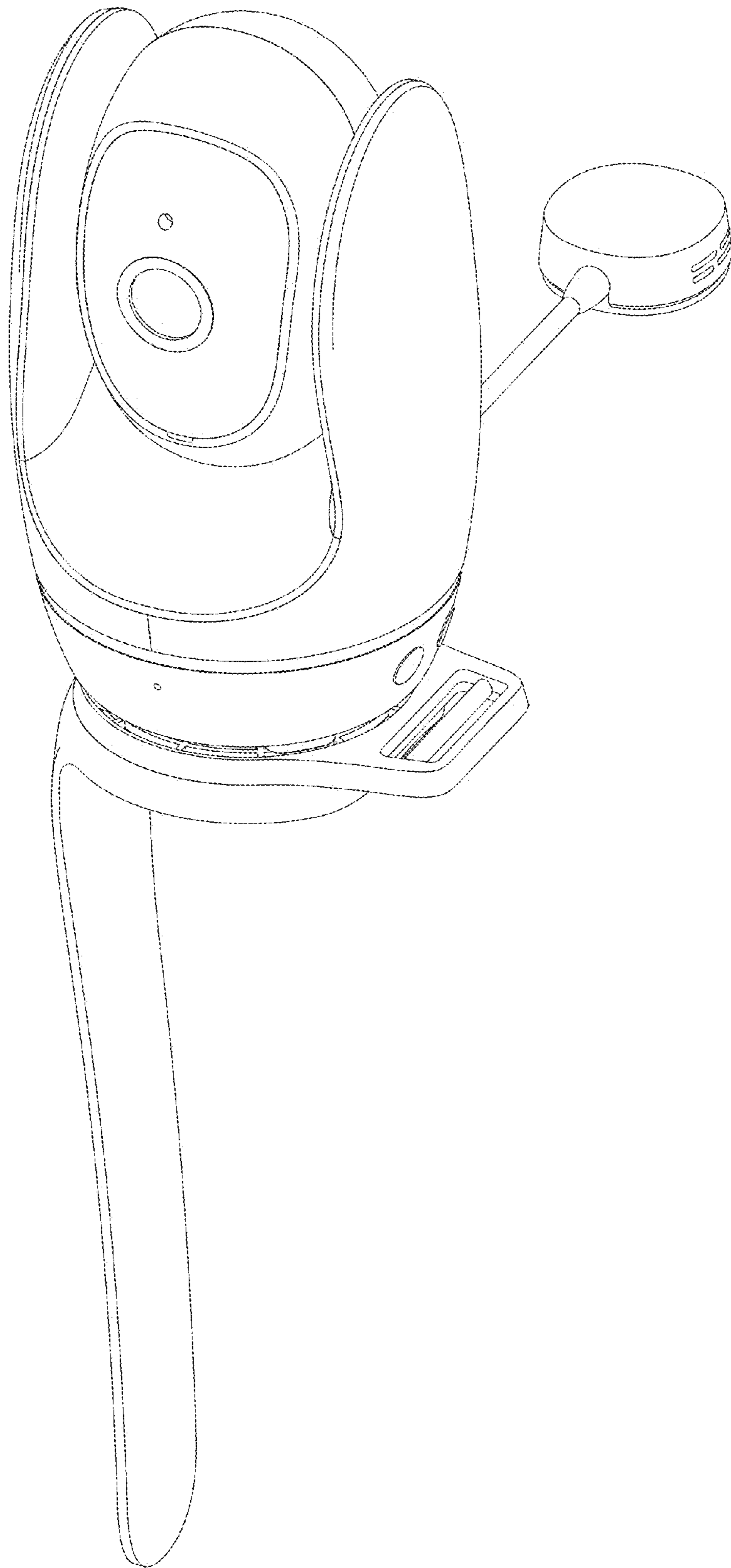


Fig. 7

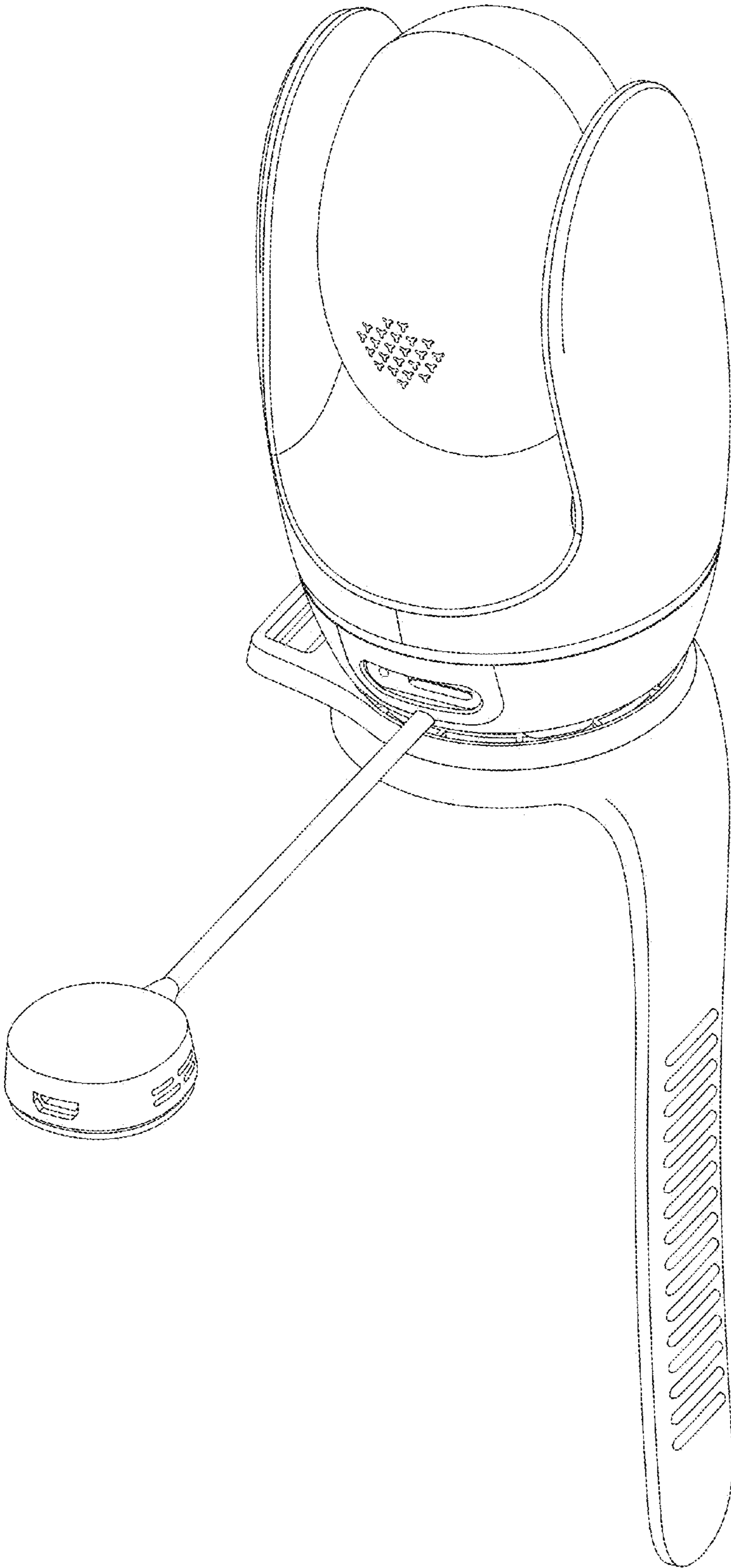


Fig. 8

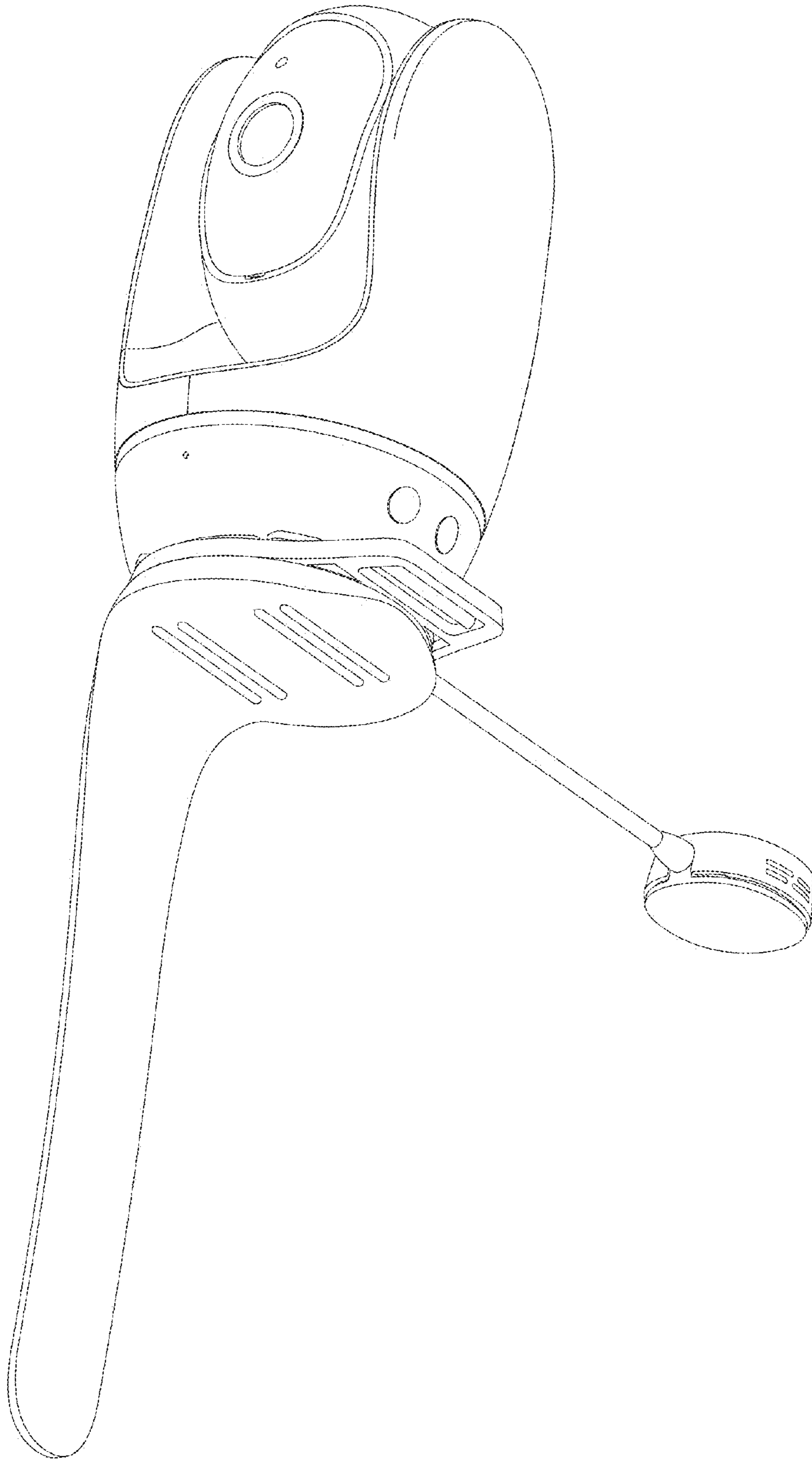


Fig. 9

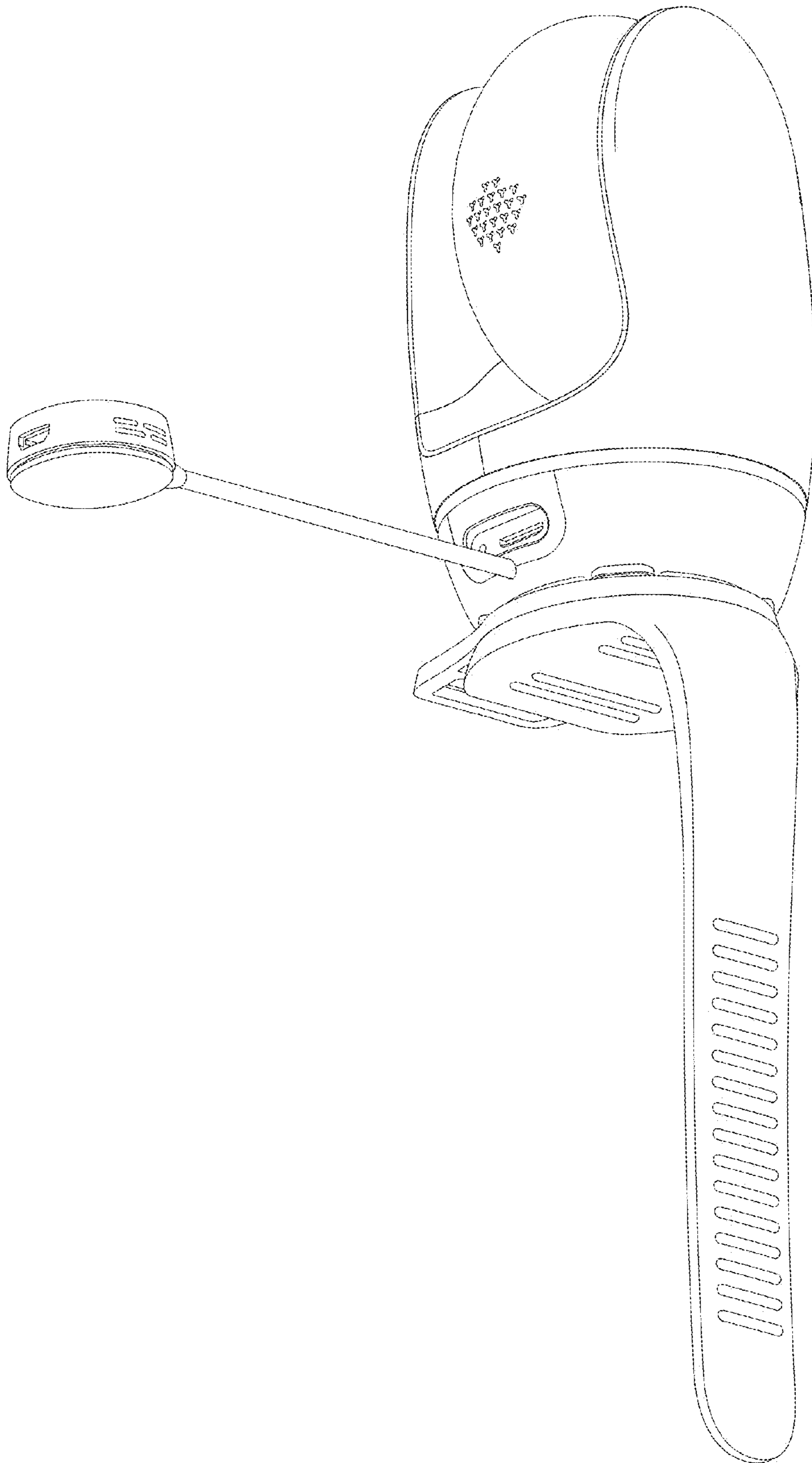


Fig. 10