



US00D716752S

(12) **United States Design Patent**
Katori et al.

(10) **Patent No.:** **US D716,752 S**
(45) **Date of Patent:** **** Nov. 4, 2014**

(54) **WIRELESS COMMUNICATION BASE STATION**

(71) Applicant: **Panasonic Corporation**, Osaka (JP)

(72) Inventors: **Takehito Katori**, Kyoto (JP); **Atsushi Tani**, Osaka (JP)

(73) Assignee: **Panasonic Corporation**, Osaka (JP)

(**) Term: **14 Years**

(21) Appl. No.: **29/468,025**

(22) Filed: **Sep. 26, 2013**

(30) **Foreign Application Priority Data**

May 21, 2013 (JP) 2013-011098

(51) **LOC (10) Cl.** **14-03**

(52) **U.S. Cl.**
USPC **D14/140**; D14/358; D10/50

(58) **Field of Classification Search**
CPC F24F 2011/0068; F24F 11/0009;
F24F 2011/0091; F24F 11/001; F24F
2011/0067

USPC D14/172, 140, 140.2, 140.6, 142, 149,
D14/150, 155, 158, 159, 167, 168, 185, 186,
D14/188, 191, 192, 194, 203.3, 204, 210,
D14/212, 214–219, 221–229, 255, 240, 242,
D14/243, 251, 253, 336, 356, 358, 402–409,
D14/416, 431, 432, 434, 483, 496; 165/236;
236/46 R, 47, 68 B, 78 R, 94;
D13/107–108, 110; D10/49, 50, 60, 62

See application file for complete search history.

(56) **References Cited**

U.S. PATENT DOCUMENTS

D272,245 S * 1/1984 Scheid et al. D14/191
D281,500 S * 11/1985 Yamagata et al. D14/159
D290,608 S * 6/1987 Fisher D14/191

D301,716 S * 6/1989 Ohzu D14/188
D302,014 S * 7/1989 Ohzu D14/188
D303,669 S * 9/1989 Hayasaka et al. D14/191
D304,192 S * 10/1989 Hayasaka et al. D14/191
D307,012 S * 4/1990 Berkheij D14/191
D322,464 S * 12/1991 Scheid et al. D14/191
RE34,182 E * 2/1993 Hayasaka et al. D14/191
D351,158 S * 10/1994 Sacherman et al. D14/137
D360,147 S * 7/1995 Odom et al. D10/50
D369,166 S * 4/1996 Jones D14/191
D370,480 S * 6/1996 Bailey et al. D14/483
D370,907 S * 6/1996 Bloomer et al. D14/483
D379,976 S * 6/1997 Crist et al. D14/483
5,673,850 A * 10/1997 Uptegraph 236/46 R
D390,134 S * 2/1998 Ingebritson et al. D10/50
D396,812 S * 8/1998 Kuipers D10/62
D402,279 S 12/1998 Rosner et al.

(Continued)

Primary Examiner — Susan Bennett Hattan

Assistant Examiner — Marie Fast Horse

(74) *Attorney, Agent, or Firm* — Panasonic Patent Center

(57) **CLAIM**

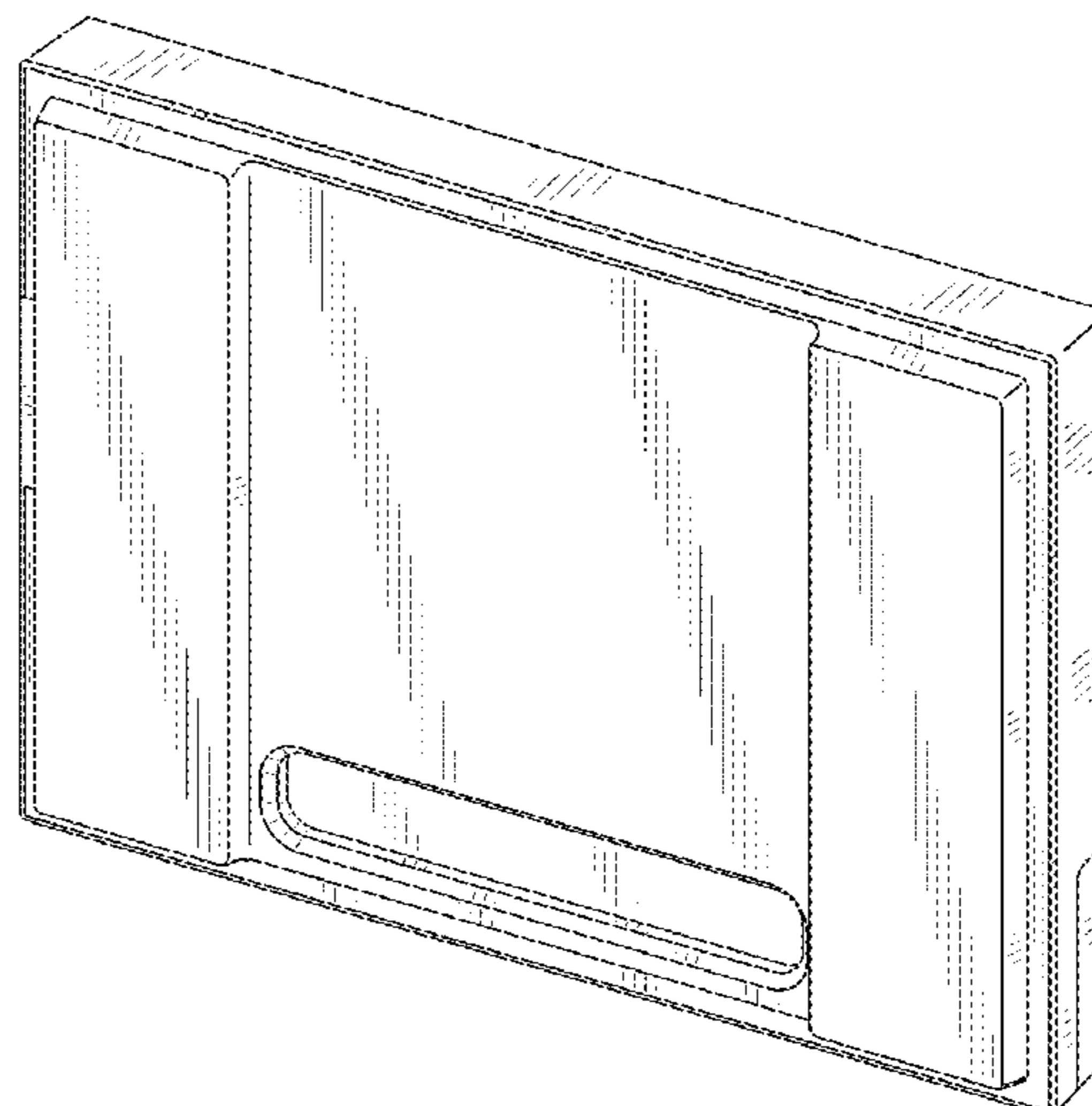
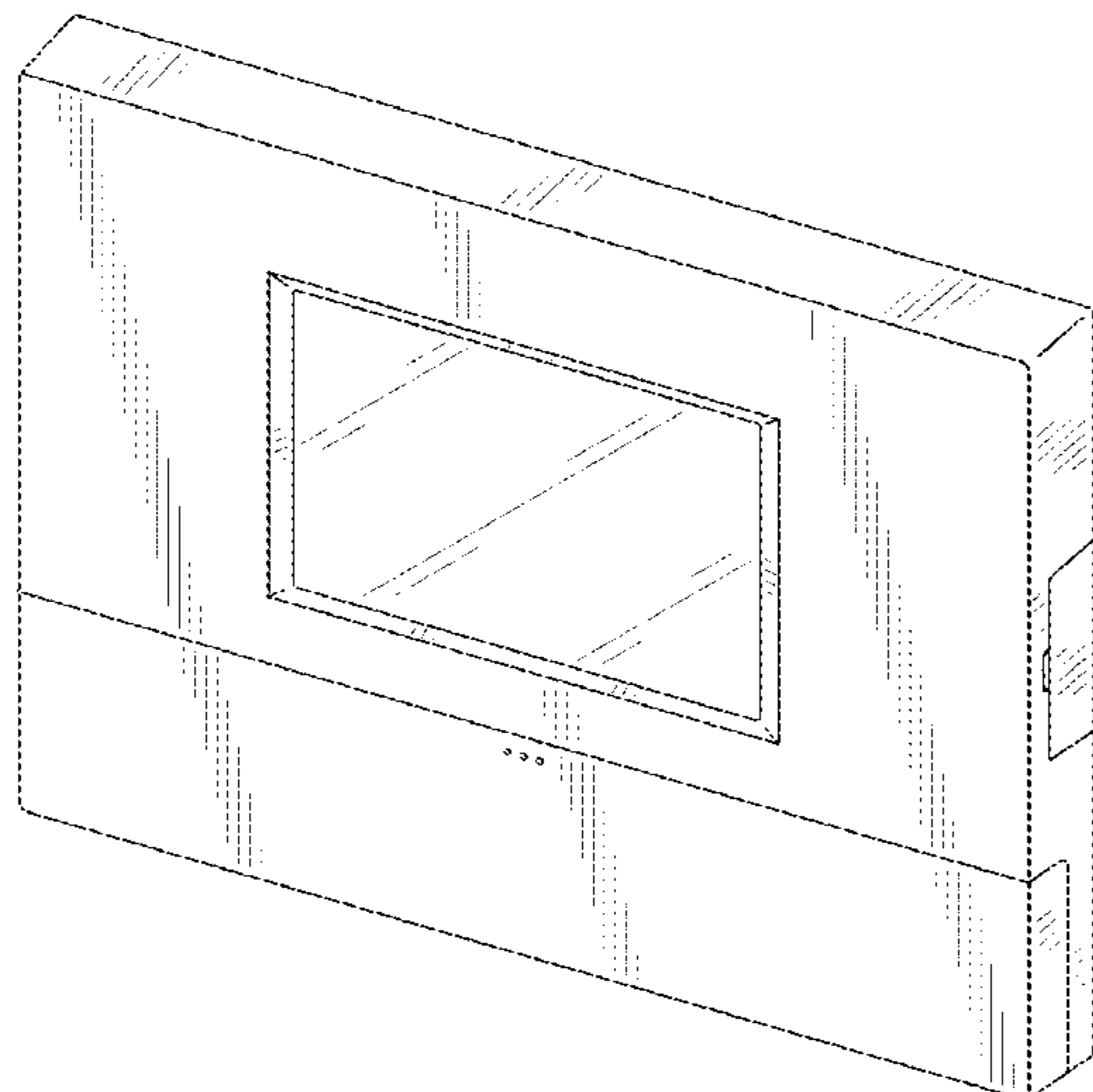
We claim the ornamental design for a wireless communication base station, as shown and described.

DESCRIPTION

FIG. 1 is a front perspective view of a wireless communication base station of the present invention; FIG. 2 is a rear perspective view thereof; FIG. 3 is a front view thereof; FIG. 4 is a rear view thereof; FIG. 5 is a left side view thereof; FIG. 6 is a right side view thereof; FIG. 7 is a top view thereof; and, FIG. 8 is a bottom view thereof.

The broken line in FIG. 8 depicts a portion of the wireless communication base station that forms no part of the claimed design.

1 Claim, 8 Drawing Sheets



(56)

References Cited

U.S. PATENT DOCUMENTS

D419,562 S *	1/2000	Mu	D14/217	D602,382 S *	10/2009	Kennedy et al.	D10/50
D426,204 S *	6/2000	Maio et al.	D14/356	D605,163 S	12/2009	Hidaka		
D469,420 S *	1/2003	Parsadayan	D14/159	D614,975 S *	5/2010	Fisher	D10/50
D489,720 S	5/2004	Sasaki			D623,606 S *	9/2010	Nakai et al.	D13/168
D494,583 S	8/2004	Guerrera et al.			D630,169 S	1/2011	Nakai et al.		
D495,700 S *	9/2004	Mukai et al.	D14/356	D646,185 S *	10/2011	Edgar	D10/50
D498,474 S *	11/2004	Leisinger et al.	D14/336	D646,186 S *	10/2011	Edgar	D10/50
D500,479 S *	1/2005	Senda et al.	D14/130	D693,315 S *	11/2013	Sakai et al.	D13/168
D534,885 S *	1/2007	Holger	D14/130	D693,805 S *	11/2013	Sip et al.	D14/358
D577,616 S *	9/2008	Edgar	D10/50	D694,387 S *	11/2013	Sinur et al.	D23/372
D582,802 S *	12/2008	Branson et al.	D10/50	D696,636 S *	12/2013	Sakai	D13/168
					D705,093 S *	5/2014	Edgar	D10/50
					2012/0286051 A1 *	11/2012	Lyle	236/47

* cited by examiner

FIG. 1

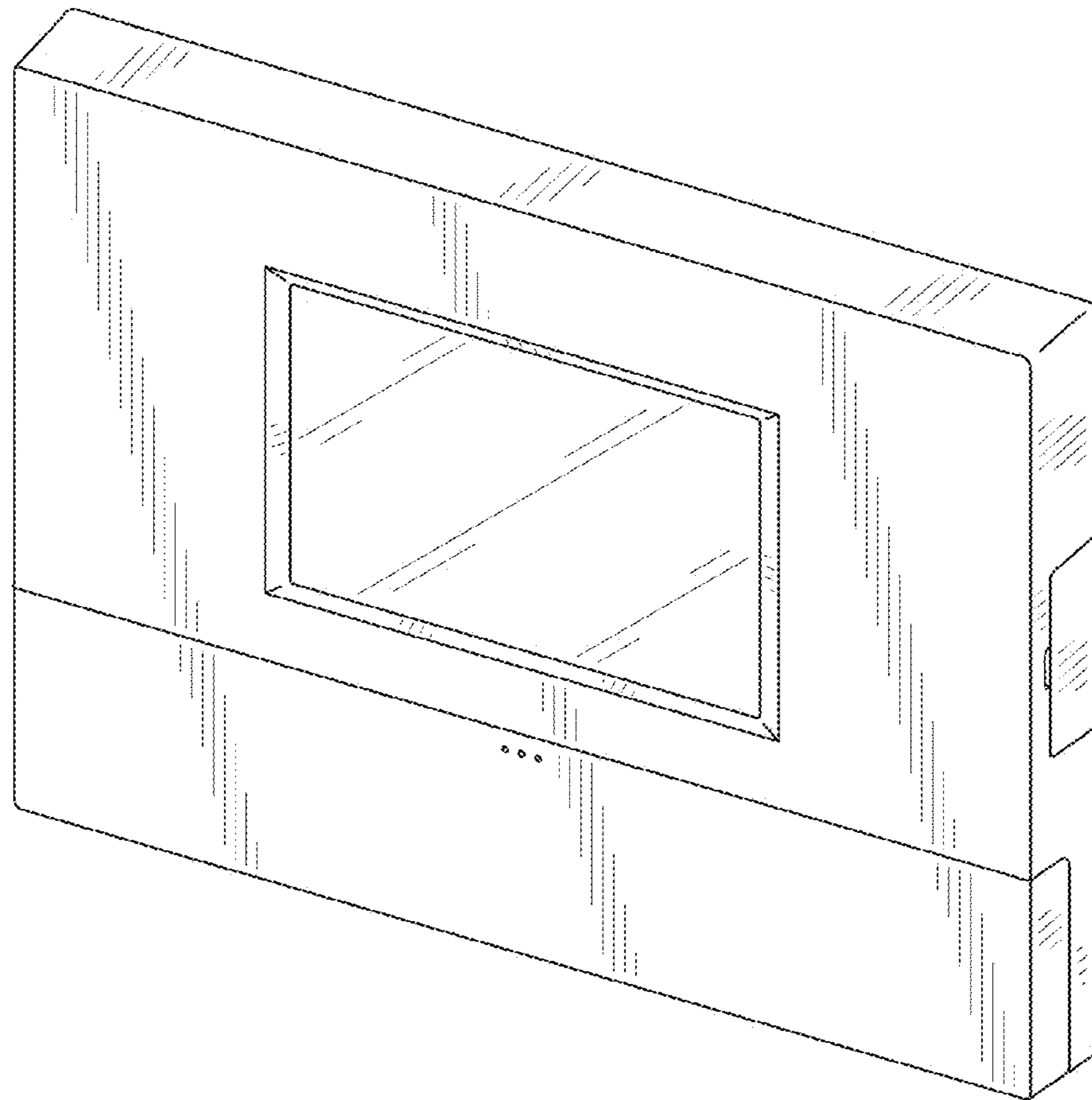


FIG. 2

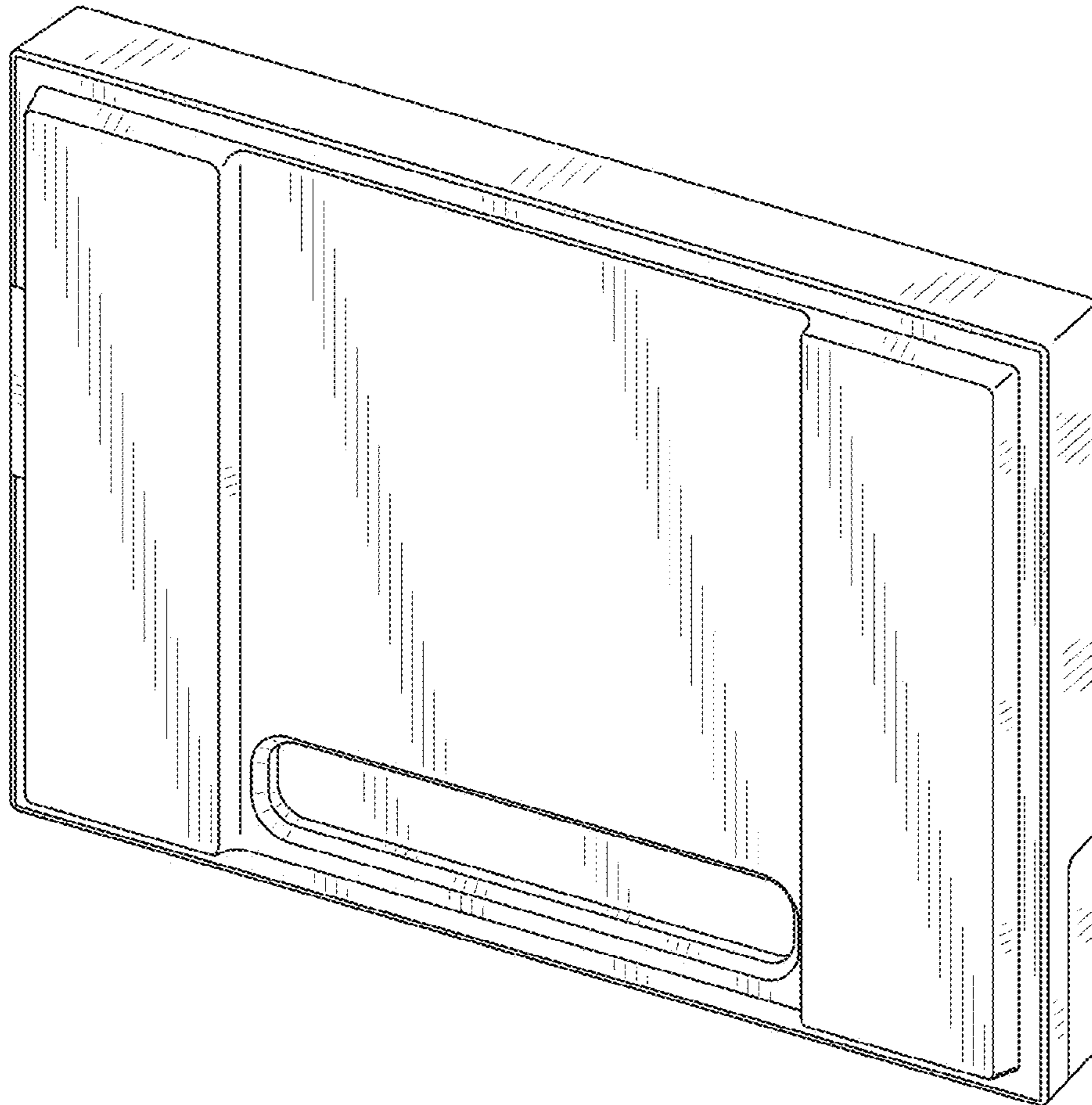


FIG. 3

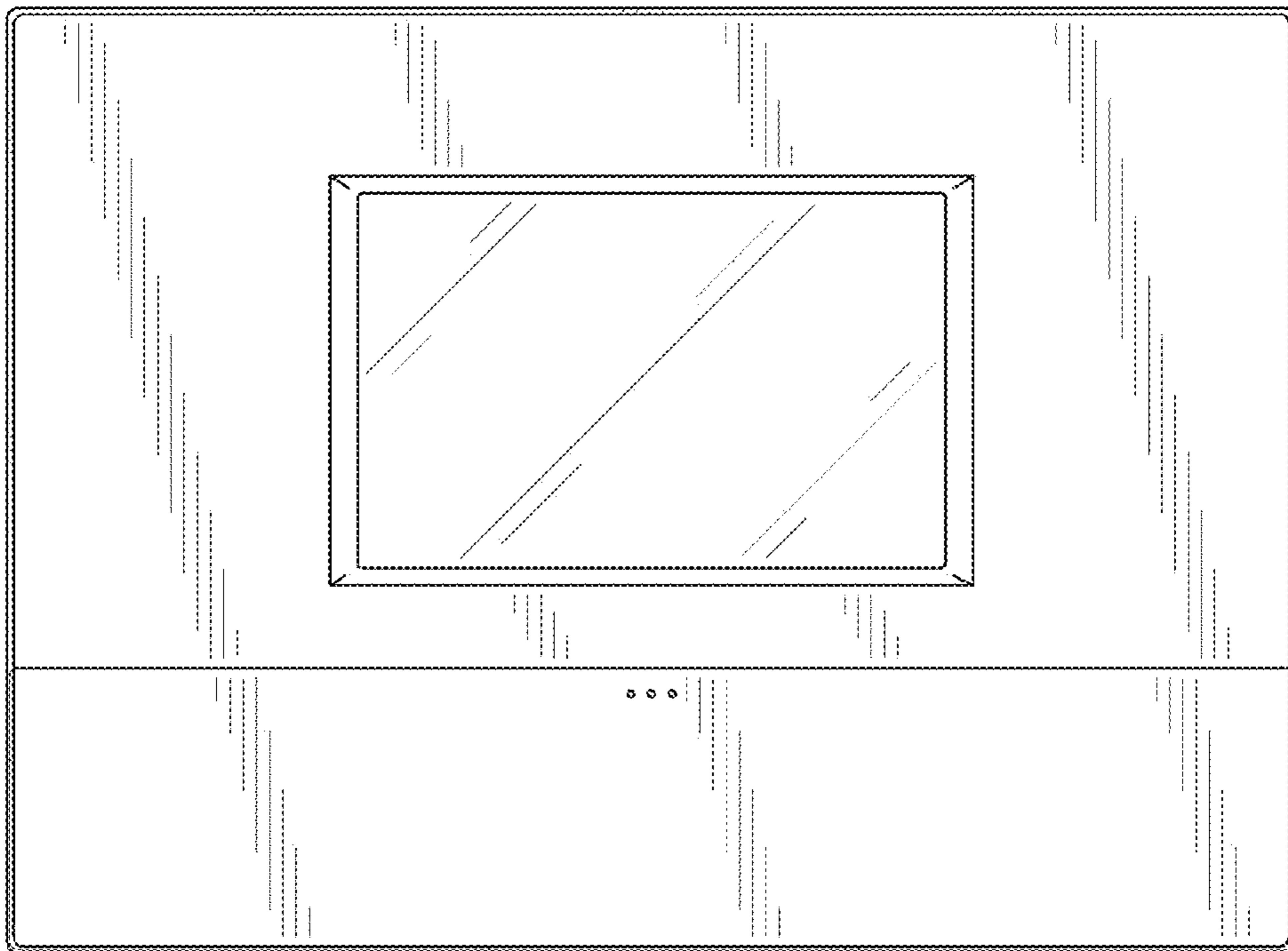


FIG. 4

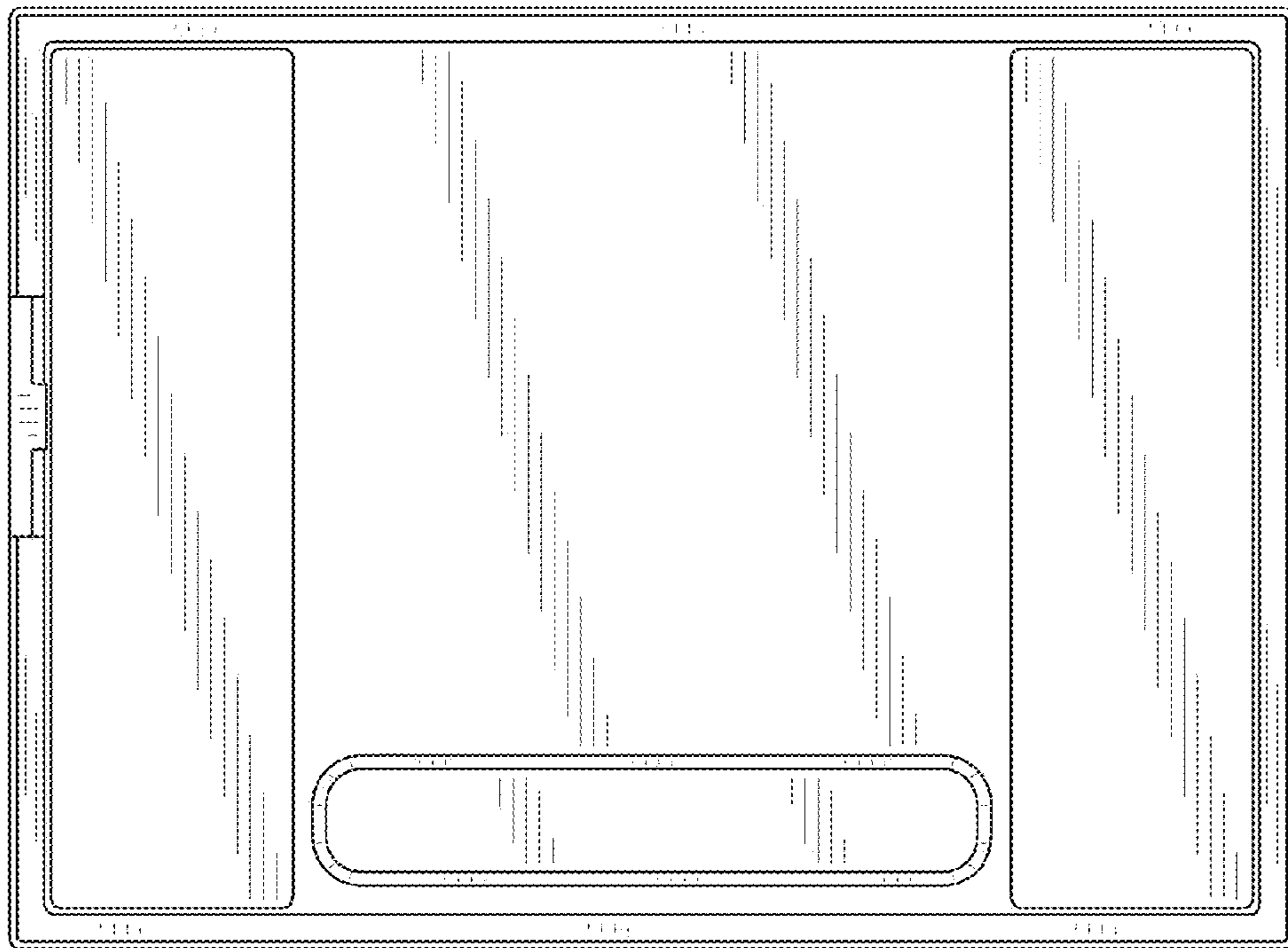


FIG. 5

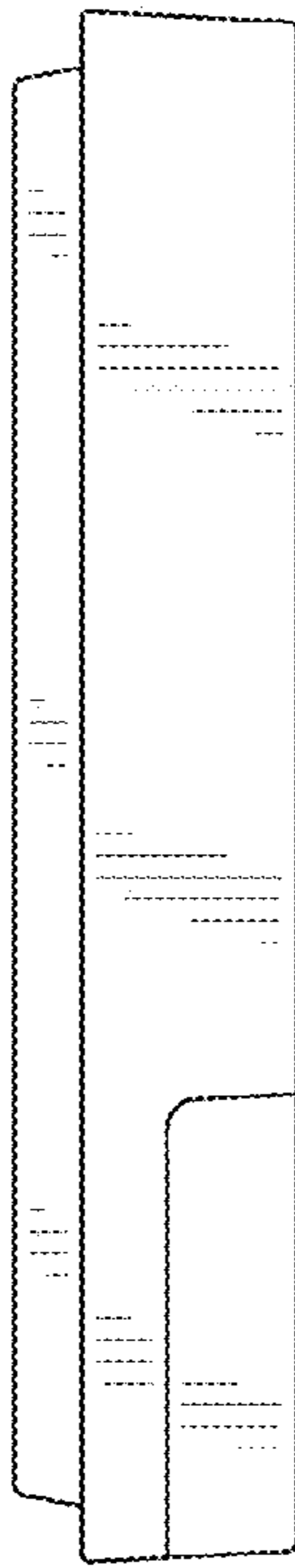


FIG. 6

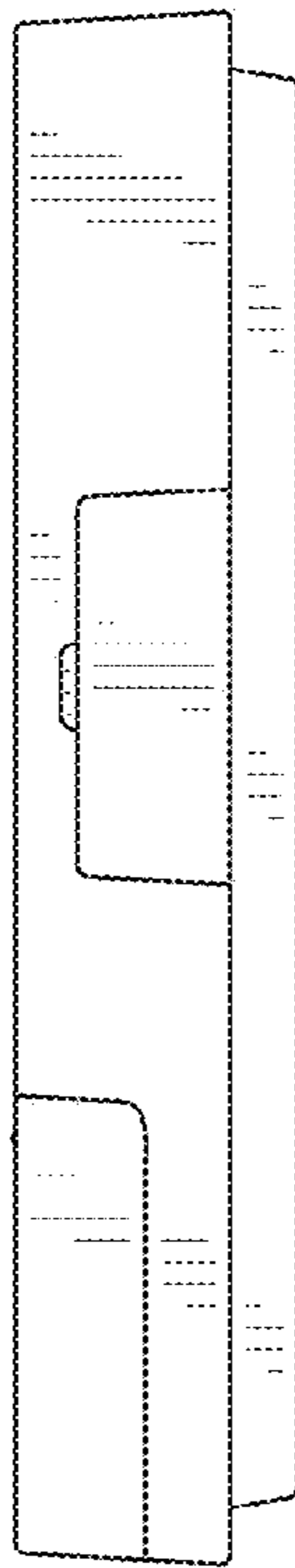


FIG. 7

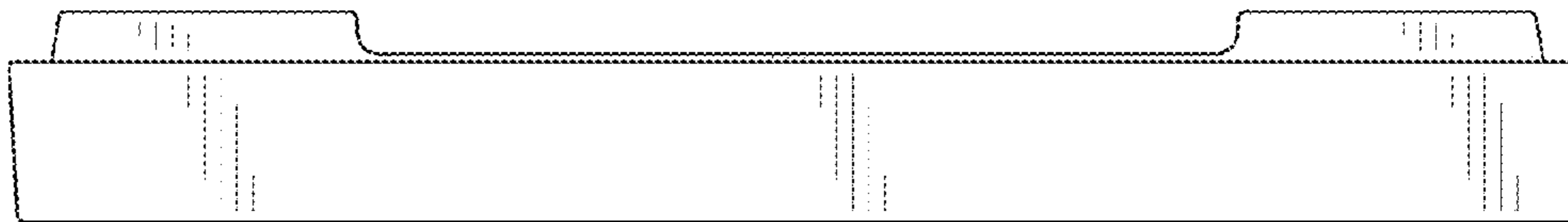


FIG. 8

