



US00D716751S

(12) **United States Design Patent**  
**Lee et al.**

(10) **Patent No.:** **US D716,751 S**  
(45) **Date of Patent:** **\*\* Nov. 4, 2014**

(54) **MOBILE PHONE**

(71) Applicant: **LG Electronics Inc.**, Seoul (KR)

(72) Inventors: **Jonghak Lee**, Cheonan-si (KR);  
**Sangmin Park**, Seoul (KR)

(73) Assignee: **LG Electronics Inc.**, Seoul (KR)

(\*\*) Term: **14 Years**

(21) Appl. No.: **29/461,912**

(22) Filed: **Jul. 29, 2013**

(30) **Foreign Application Priority Data**

Jan. 30, 2013 (KR) ..... 30-2013-0005204

(51) **LOC (10) Cl.** ..... **14-03**

(52) **U.S. Cl.**  
USPC ..... **D14/138 AB**; D14/345

(58) **Field of Classification Search**  
CPC ... H04M 1/022; H04M 1/021; H04M 1/0202;  
H04M 1/0239; H04M 1/0214; H04M 1/0216;  
H04M 1/0245; H04M 1/023; H04M 2250/16;  
G06F 1/1641; G06F 1/1616  
USPC ..... D14/138 AB, 138 AD, 341-346, 203.1,  
D14/203.4, 203.3, 203.7, 143, 248, 218,  
D14/138 G, 147, 138 AC, 138 AA, 138 R,  
D14/339, 340, 316; 455/575.1, 556.2,  
455/575.3, 575.4, 566; D21/517, 329-331;  
379/433.01, 433.04, 433.12, 433.13;  
D10/65, 78; D13/168; 361/679.3,  
361/679.56; 345/1.3; D19/59, 60  
See application file for complete search history.

(56) **References Cited**

**U.S. PATENT DOCUMENTS**

5,189,632 A \* 2/1993 Paajanen et al. .... 708/109  
6,377,324 B1 \* 4/2002 Katsura ..... 349/58

(Continued)

**FOREIGN PATENT DOCUMENTS**

KR 30-0605743 S 7/2011  
KR 30-0638720 S 4/2012  
KR 30-0711171 S 10/2013

**OTHER PUBLICATIONS**

Compenion Portable PC Concept Design, by admin, joyenjoys.com, posted Jul. 15, 2012, [online], [site visited Jun. 18, 2014]. Available from Internet, <URL: <http://www.joyenjoys.com/compenion-portable-pc-concept-design/>>.\*

(Continued)

*Primary Examiner* — Jeffrey D Asch

(74) *Attorney, Agent, or Firm* — Birch, Stewart, Kolasch & Birch, LLP

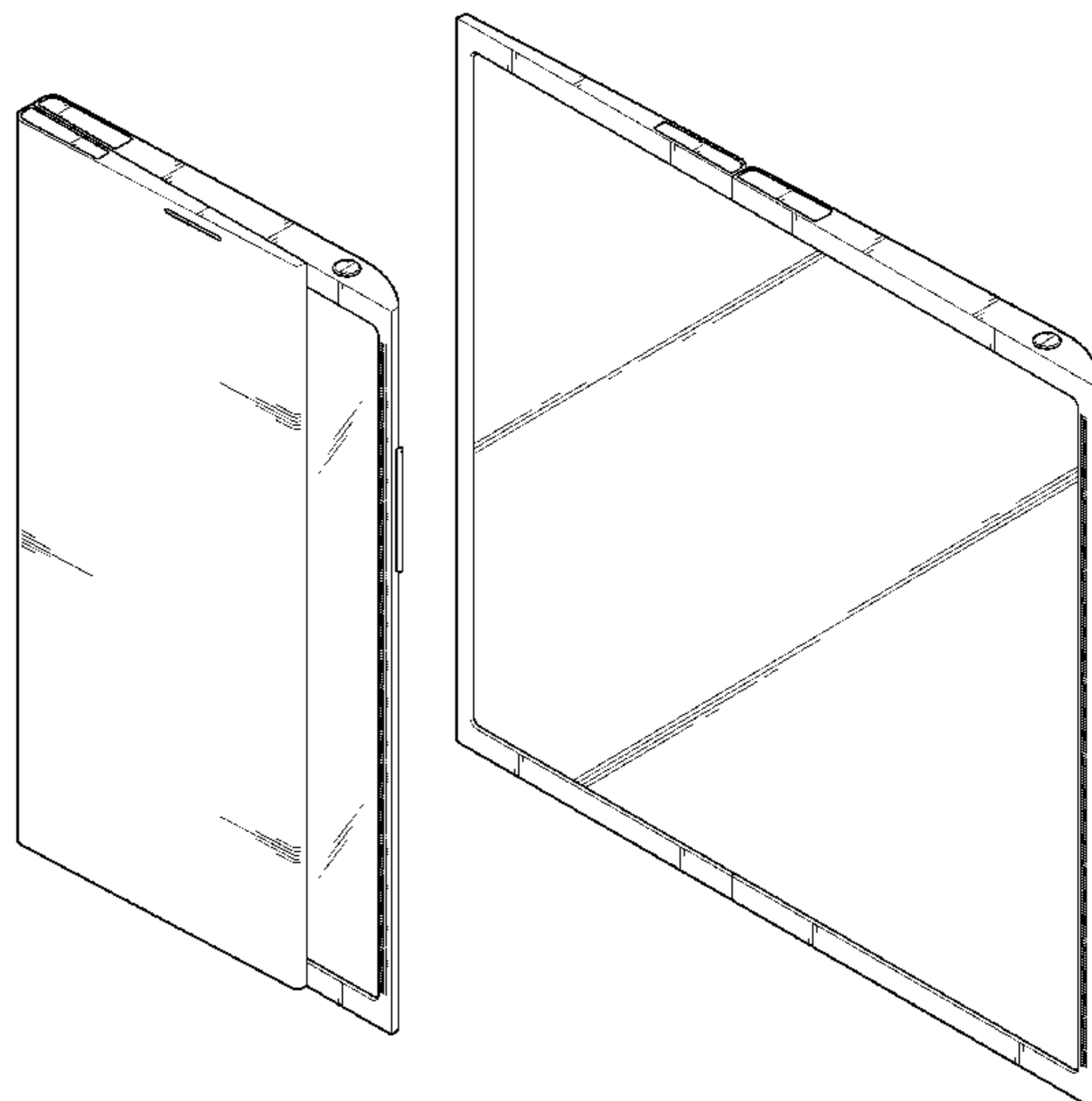
(57) **CLAIM**

The ornamental design for a mobile phone, as shown and described.

**DESCRIPTION**

FIG. 1 is a front perspective view of a mobile phone showing our new design when the display is folded;  
FIG. 2 is a front view thereof of FIG. 1;  
FIG. 3 is a rear view thereof of FIG. 1;  
FIG. 4 is a left side view thereof of FIG. 1;  
FIG. 5 is a right side view thereof of FIG. 1;  
FIG. 6 is a top plan view thereof of FIG. 1;  
FIG. 7 is a bottom plan view thereof of FIG. 1;  
FIG. 8 is a front perspective view thereof when the display is unfolded;  
FIG. 9 is a front view thereof of FIG. 8;  
FIG. 10 is a rear view thereof of FIG. 8;  
FIG. 11 is a left side view thereof of FIG. 8;  
FIG. 12 is a right side view thereof of FIG. 8;  
FIG. 13 is a top plan view thereof of FIG. 8; and  
FIG. 14 is a bottom plan view thereof of FIG. 8.

**1 Claim, 12 Drawing Sheets**



(56)

**References Cited**

U.S. PATENT DOCUMENTS

6,577,496 B1 \* 6/2003 Gioscia et al. .... 361/679.3  
 6,996,424 B2 \* 2/2006 Ijas et al. .... 455/575.1  
 7,167,158 B2 \* 1/2007 Silverbrook ..... 345/156  
 D568,862 S \* 5/2008 Kim et al. .... D14/138 AB  
 D580,432 S \* 11/2008 Yun et al. .... D14/345  
 D584,726 S \* 1/2009 Morita ..... D14/341  
 D585,444 S \* 1/2009 Verschoor ..... D14/345  
 D588,126 S \* 3/2009 Chiang et al. .... D14/345  
 D625,284 S \* 10/2010 Cha ..... D14/138 AB  
 D658,173 S \* 4/2012 Kim ..... D14/345  
 8,170,631 B2 \* 5/2012 Aoki et al. .... 455/575.3  
 D662,932 S \* 7/2012 Park et al. .... D14/341  
 8,209,894 B2 \* 7/2012 Shim et al. .... 40/541  
 8,229,522 B2 \* 7/2012 Kim et al. .... 455/575.3  
 8,384,615 B2 \* 2/2013 Tan et al. .... 345/1.1  
 D680,531 S \* 4/2013 Honda et al. .... D14/345  
 D681,000 S \* 4/2013 Koh et al. .... D14/203.4  
 D681,054 S \* 4/2013 Koh et al. .... D14/496  
 8,493,730 B2 \* 7/2013 Shim et al. .... 361/679.55  
 D694,730 S \* 12/2013 Lee ..... D14/138 G  
 D696,693 S \* 12/2013 Kim et al. .... D14/496

D699,240 S \* 2/2014 Kim et al. .... D14/341  
 2002/0016191 A1 \* 2/2002 Ijas et al. .... 455/575  
 2003/0026068 A1 \* 2/2003 Tsai et al. .... 361/683  
 2006/0125784 A1 \* 6/2006 Jang et al. .... 345/156  
 2007/0097014 A1 \* 5/2007 Solomon et al. .... 345/1.1  
 2011/0241998 A1 \* 10/2011 McKinney et al. .... 345/168  
 2012/0236484 A1 \* 9/2012 Miyake ..... 361/679.01  
 2013/0135837 A1 \* 5/2013 Kemppinen ..... 361/807  
 2013/0148278 A1 \* 6/2013 Honda ..... 361/679.01

OTHER PUBLICATIONS

Samsung Galaxy S5 Concept is a Folding Device; 3D Detailed Render Here!, by Thrystan, Concept-phones, posted Apr. 29, 2013, [online], [site visited Jun. 18, 2014]. Available from Internet, <URL: <http://www.concept-phones.com/samsung/samsung-galaxy-s5-concept-folding-device-3d-detailed-render/>>.\*

Samsung privately showed a foldable phone prototype at CES 2014, SDC Foldable OLED concept, 2013, Source: ETNews, Oled-info.com, posted Jan. 13, 2014, [online], [site visited Jun. 18, 2014]. Available from Internet, <URL: <http://www.concept-phones.com/apple/seamless-flexible-display-iphone-concepts-ace-jockey/>>.\*

\* cited by examiner

FIG. 1

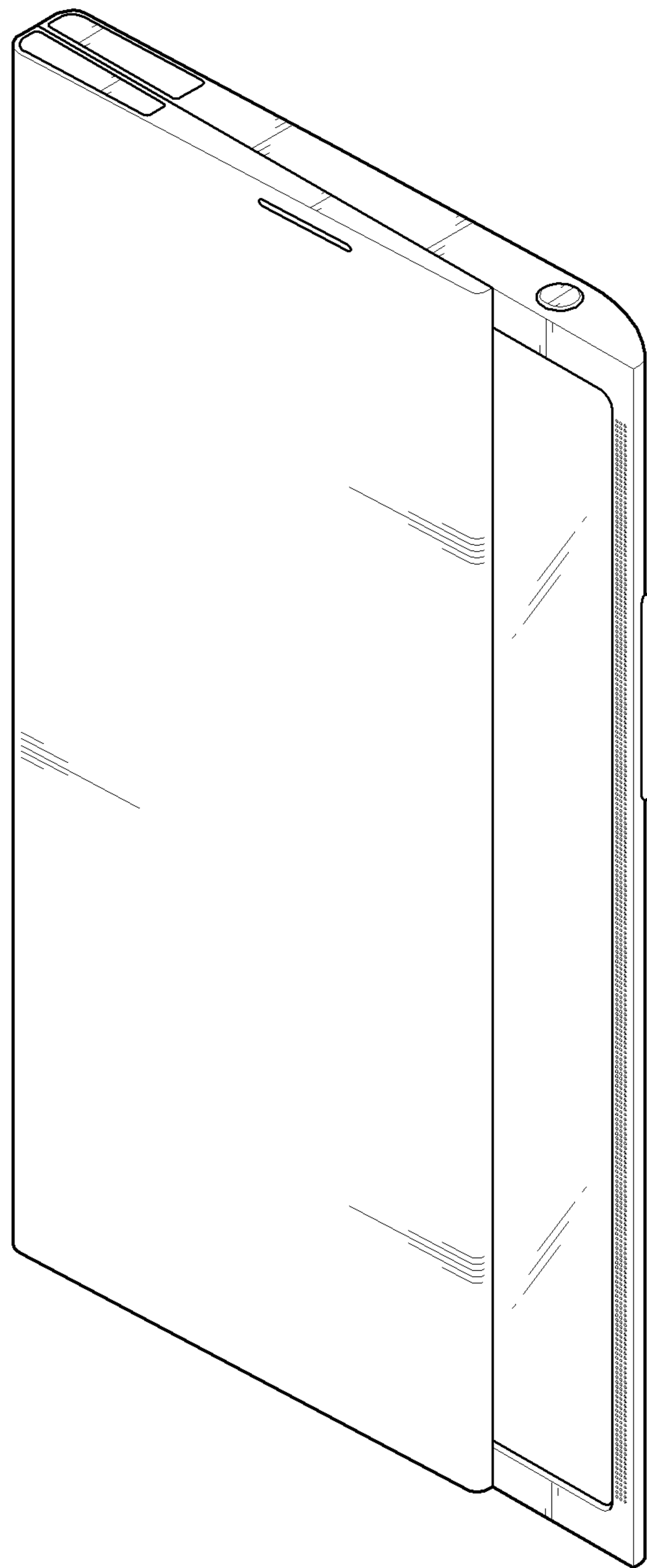


FIG. 2

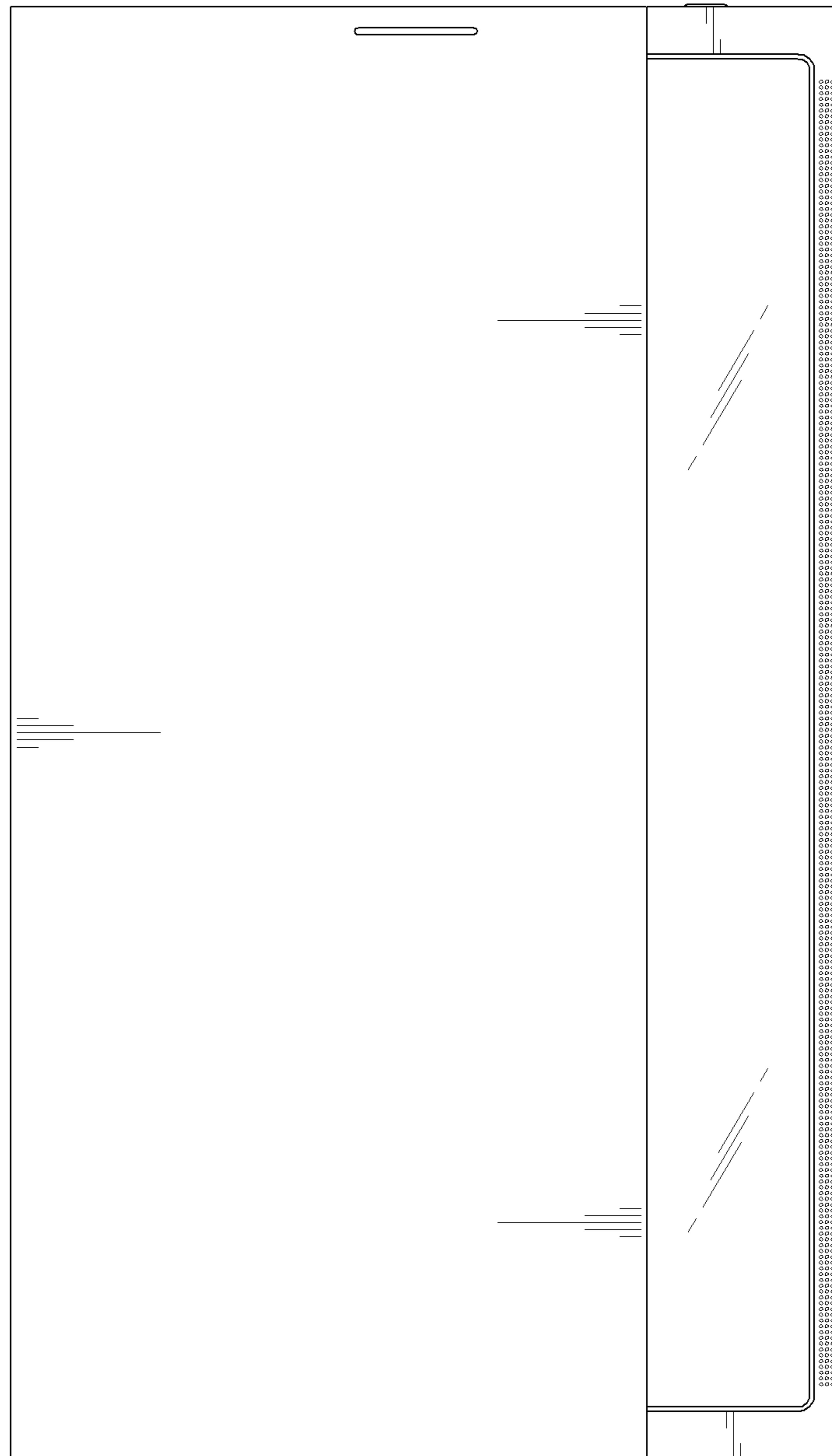


FIG. 3

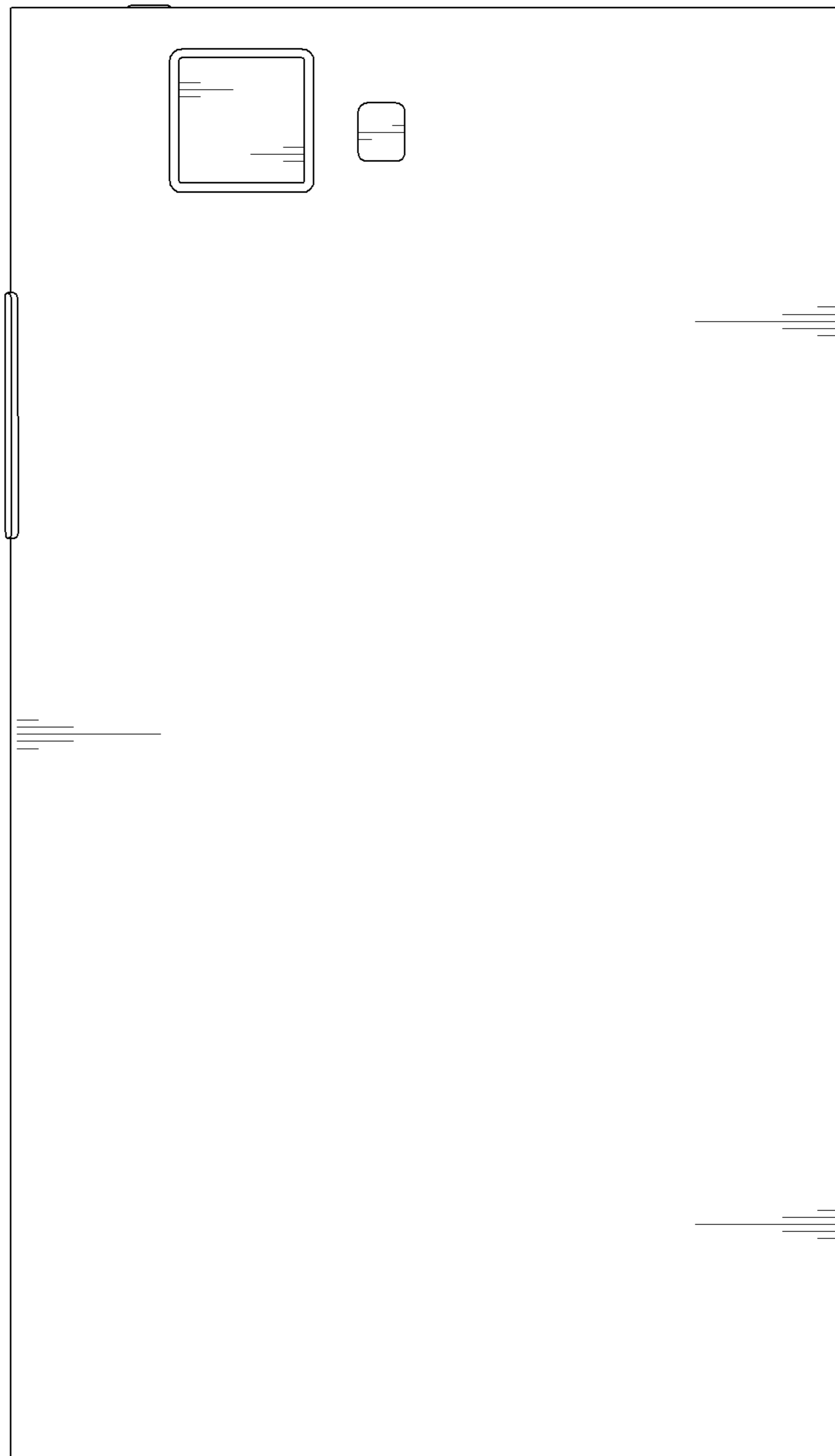


FIG. 4

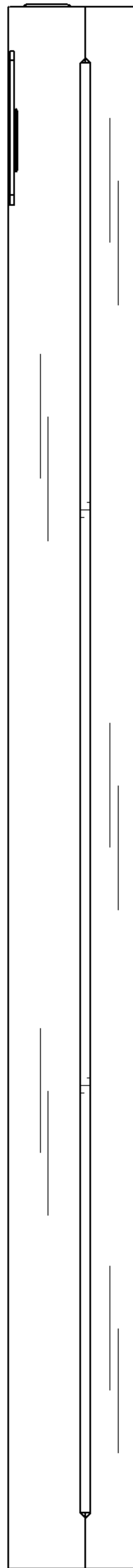


FIG. 5

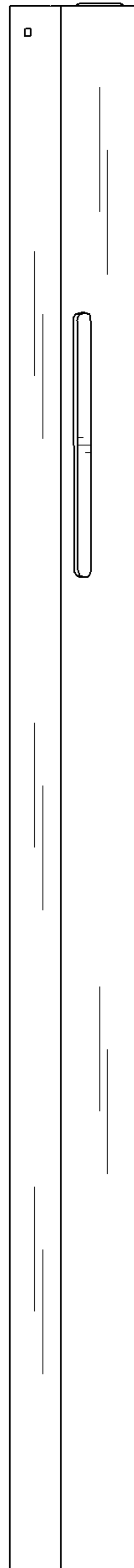


FIG. 6

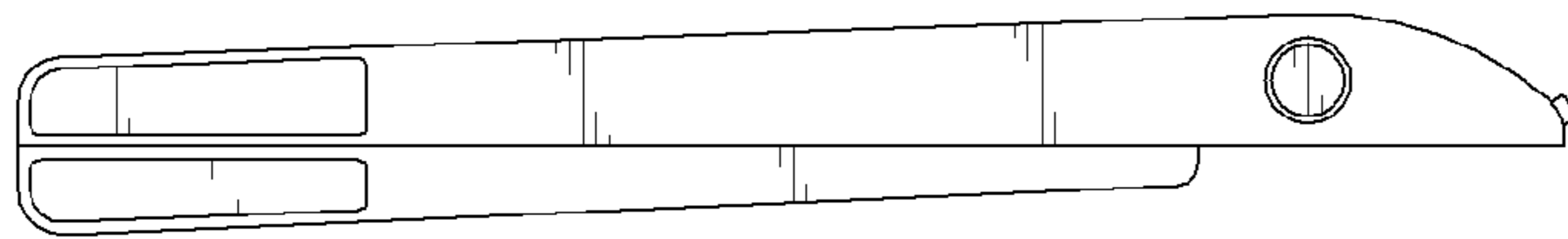


FIG. 7

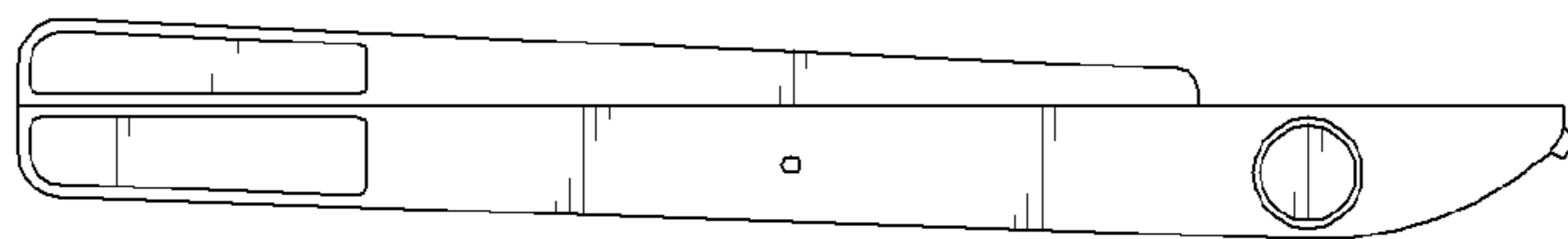




FIG. 8

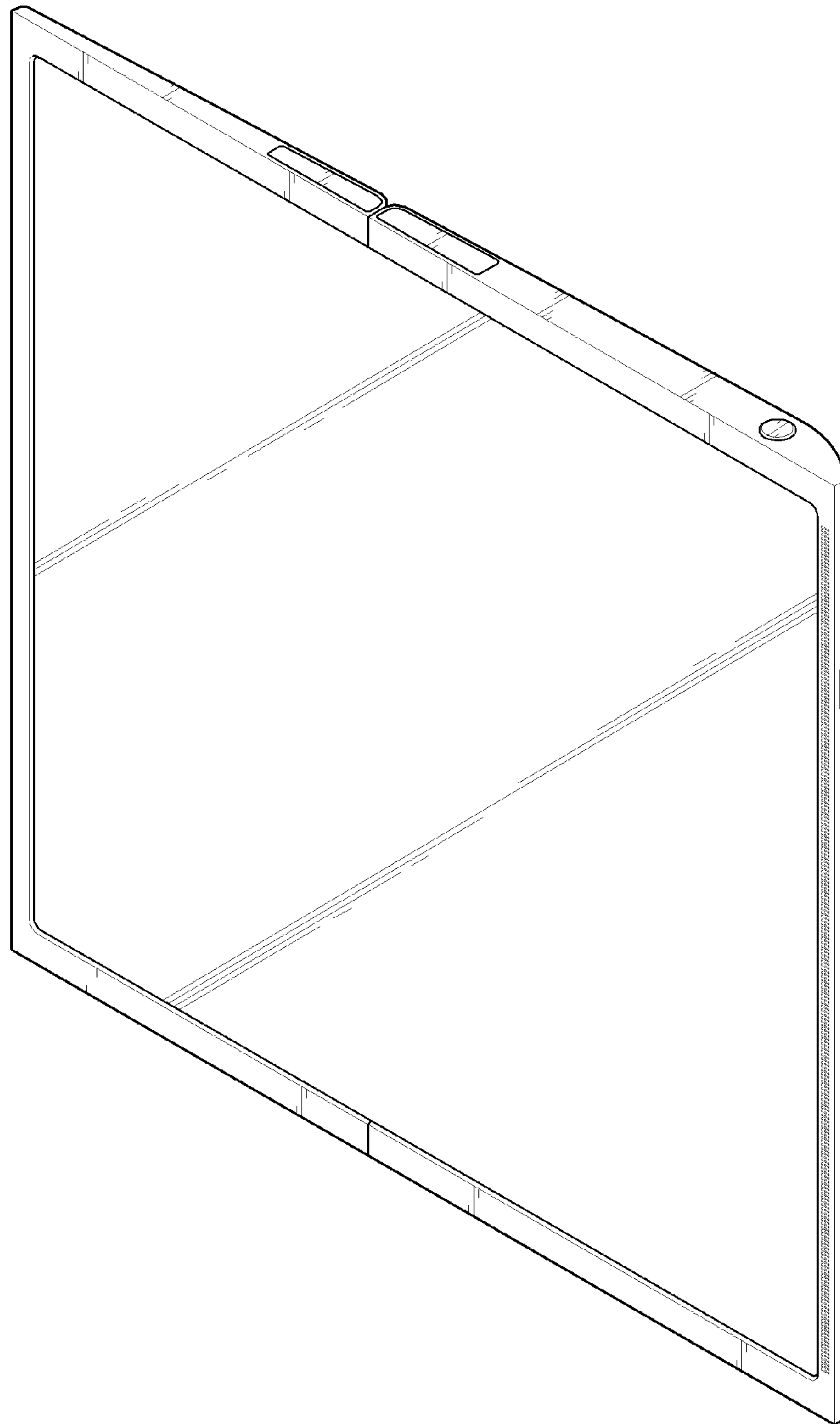


FIG. 9

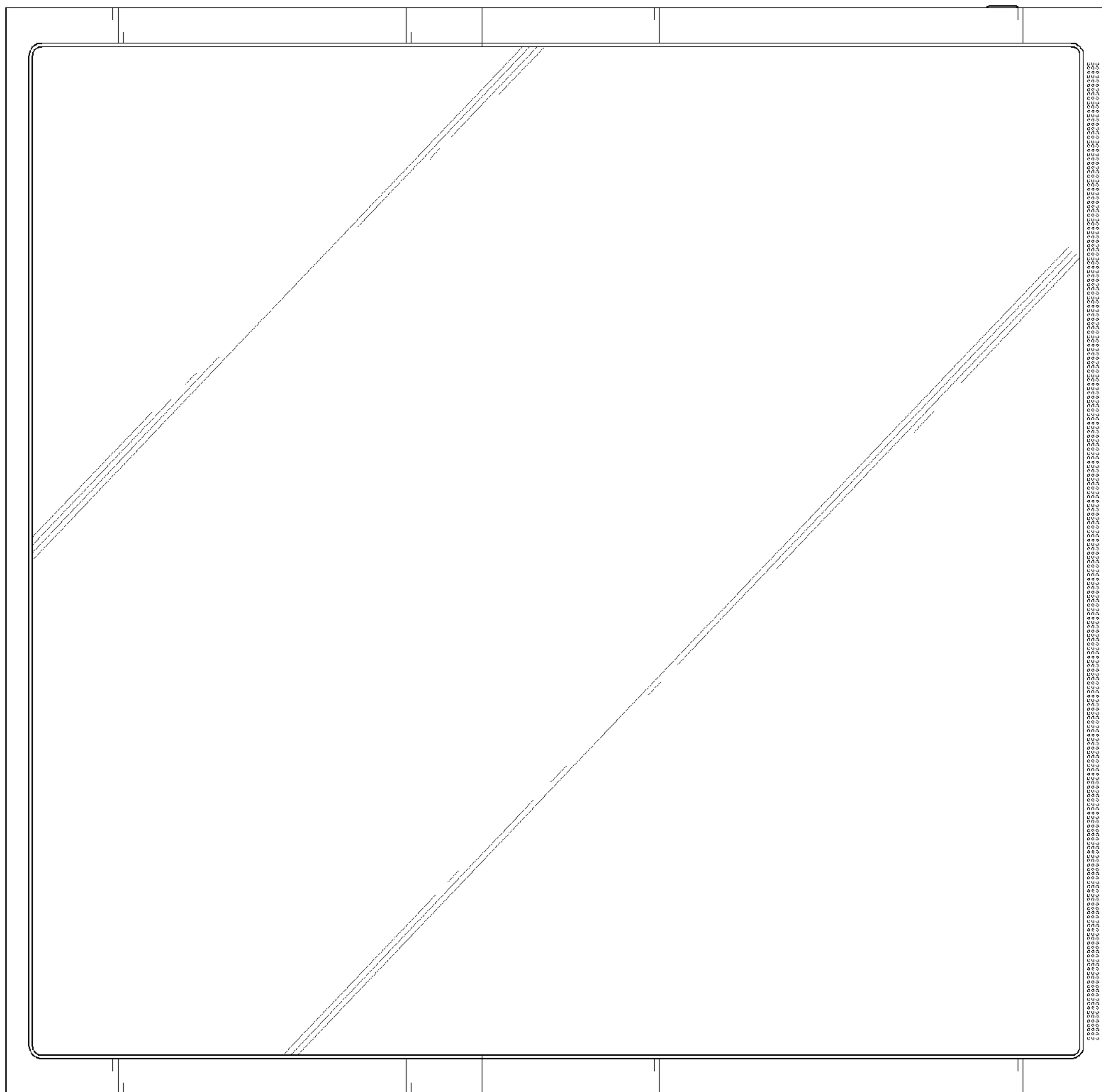


FIG. 10

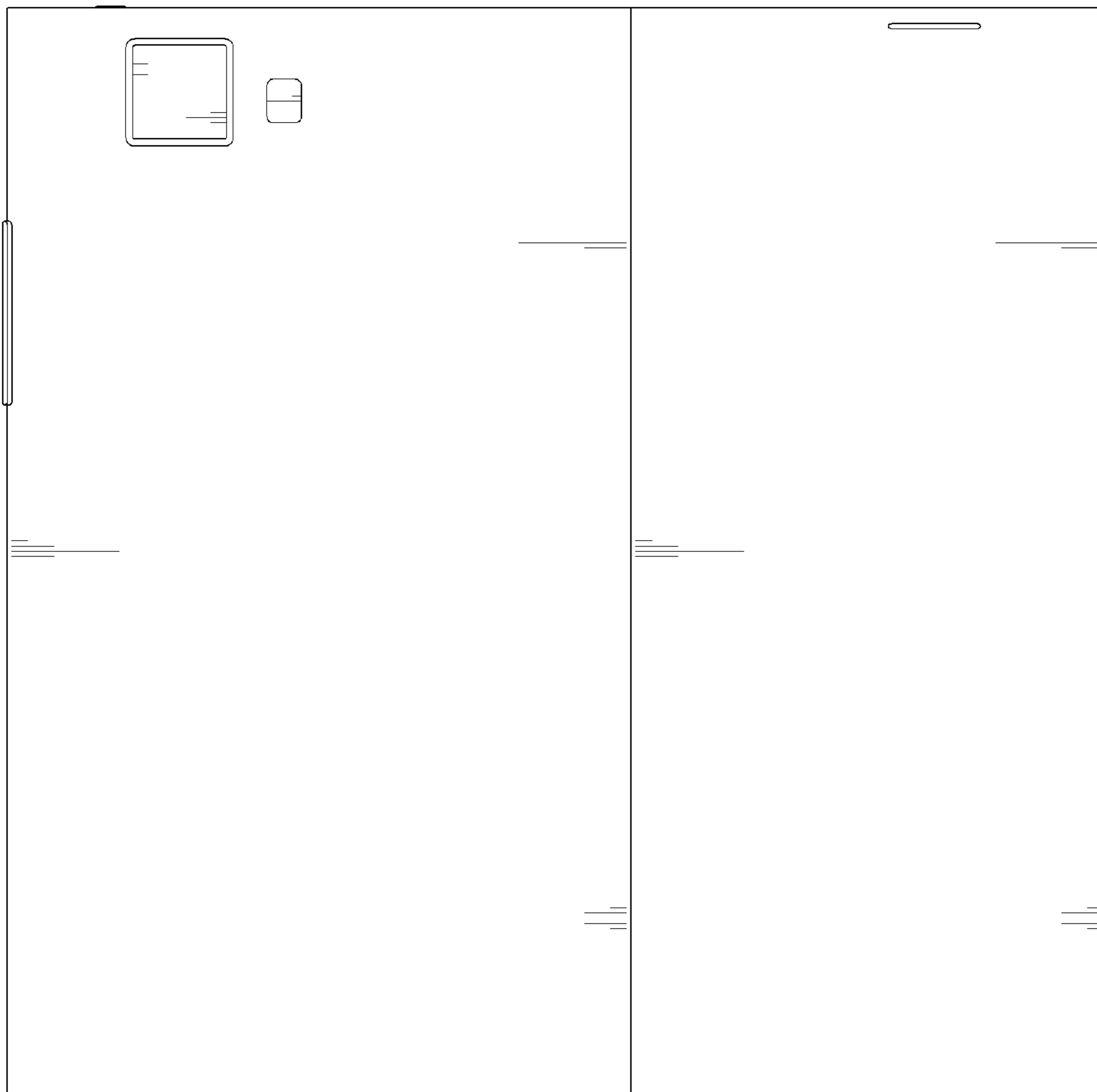


FIG. 11

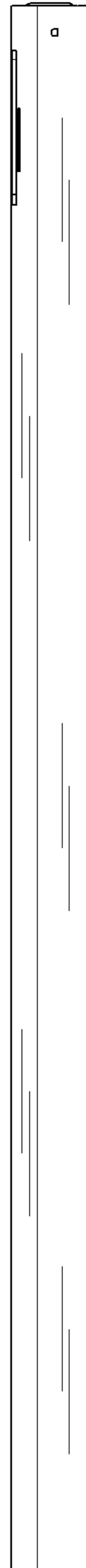


FIG. 12



FIG. 13

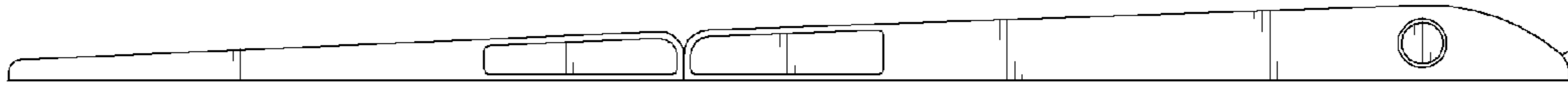


FIG. 14

