



US00D716750S

(12) **United States Design Patent**
Matsumoto

(10) **Patent No.:** **US D716,750 S**
(45) **Date of Patent:** **** Nov. 4, 2014**

(54) **PORTABLE INFORMATION TERMINAL**

(71) Applicant: **NEC Casio Mobile Communications, Ltd.**, Kanagawa (JP)

(72) Inventor: **Kazuya Matsumoto**, Tokyo (JP)

(73) Assignee: **NEC Casio Mobile Communications, Ltd.**, Kanagawa (JP)

(**) Term: **14 Years**

(21) Appl. No.: **29/460,250**

(22) Filed: **Jul. 9, 2013**

(30) **Foreign Application Priority Data**

Jan. 11, 2013 (JP) 2013-000445

(51) **LOC (10) Cl.** **14-03**

(52) **U.S. Cl.**
USPC **D14/138 AB**; D14/345

(58) **Field of Classification Search**
CPC . H04M 1/0212; H04M 1/0239; H04M 1/021; H04M 1/022; H04M 1/0214; H04M 1/0216; H04M 1/0245; H04M 1/023; H04M 2250/16; G06F 1/1641; G06F 1/1616
USPC D14/138 AB, 138 AD, 341–346, 203.1, D14/203.4, 203.3, 203.7, 143, 248, 218, D14/138 G, 147, 138 AC, 138 AA, 138 R, D14/339, 340, 316; 455/575.1, 556.2, 455/575.3, 575.4, 566; D21/517, 329–331; 379/433.01, 433.04, 433.12, 433.13; D10/65, 78; D13/168; 361/679.3, 361/679.56; 345/1.3; D19/59, 60

See application file for complete search history.

(56) **References Cited**

U.S. PATENT DOCUMENTS

6,486,890 B1 * 11/2002 Harada et al. 345/660
D493,463 S * 7/2004 Takahashi D14/373

(Continued)

OTHER PUBLICATIONS

MWC 2013: Hands-on with the NEC Medias W, folding smartphone with two screens, by Dusan Belic, Intomobile, posted Feb. 27, 2013, [online], [site visited May 12, 2014]. Available from Internet, <URL: <http://www.intomobile.com/2013/02/27/mwc-2013-handson-nec-medias-w-folding-smartphone-two-screens/>>.*

(Continued)

Primary Examiner — Jeffrey D Asch

(74) *Attorney, Agent, or Firm* — Sughrue Mion, PLLC

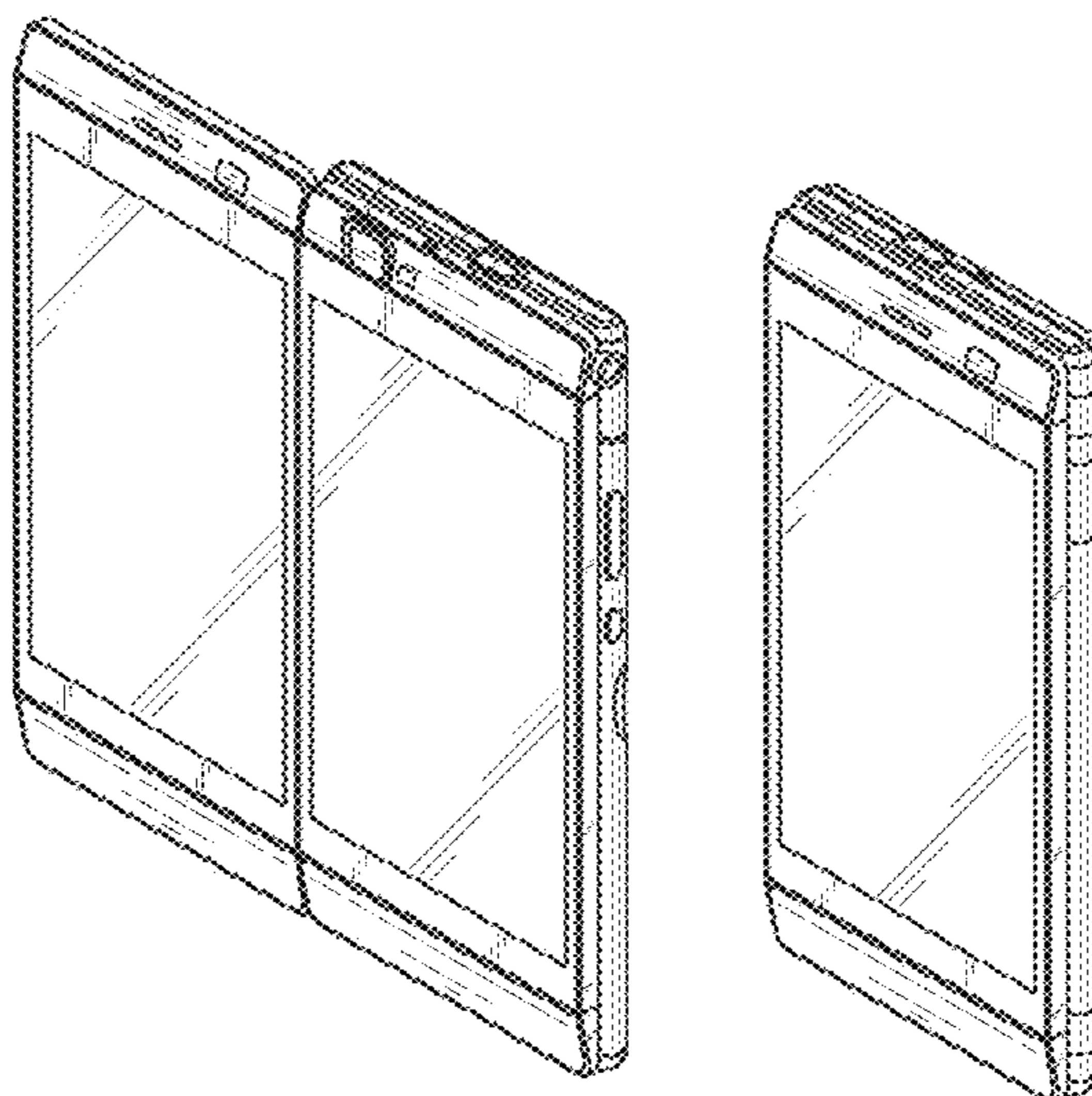
(57) **CLAIM**

The ornamental design for a portable information terminal, as shown and described.

DESCRIPTION

FIG. 1 is a front, right side, top perspective view of a portable information terminal showing our new design; FIG. 2 is a front elevational view thereof; FIG. 3 is a rear elevational view thereof; FIG. 4 is a left side view thereof; FIG. 5 is a right side view thereof; FIG. 6 is a top plan view thereof; FIG. 7 is a bottom plan view thereof; FIG. 8 is a front, right side, top perspective view thereof in a closed state; FIG. 9 is a front elevational view thereof in a closed state; FIG. 10 is a rear elevational view thereof in a closed state; FIG. 11 is a left side view thereof in a closed state; FIG. 12 is a right side view thereof in a closed state; FIG. 13 is a top plan view thereof in a closed state; and, FIG. 14 is a bottom plan view thereof in a closed state.

1 Claim, 10 Drawing Sheets



(56)

References Cited

U.S. PATENT DOCUMENTS

D603,363 S * 11/2009 Choi et al. D14/138 AB
 D624,517 S * 9/2010 Lee et al. D14/138 AB
 D631,455 S * 1/2011 Kim et al. D14/138 AB
 D632,271 S * 2/2011 Arnholt et al. D14/138 AB
 D636,750 S * 4/2011 Cigliano et al. D14/138 AD
 D644,219 S * 8/2011 Sawada D14/345
 D653,226 S * 1/2012 Nara D14/138 AB
 8,264,823 B2 * 9/2012 Kim et al. 361/679.01
 8,265,705 B2 * 9/2012 Lee 455/566
 8,405,978 B2 * 3/2013 Okutsu 361/679.55
 D680,531 S * 4/2013 Honda et al. D14/345
 D680,532 S * 4/2013 Reeves et al. D14/345
 D682,803 S * 5/2013 Lee et al. D14/138 G
 D693,323 S * 11/2013 Kawase et al. D14/138 AB

D702,227 S * 4/2014 Washiyama et al. D14/341
 8,713,758 B2 * 5/2014 Mitsui et al. 16/357
 2009/0170574 A1 * 7/2009 Harmon et al. 455/575.4
 2011/0263304 A1 * 10/2011 Laido et al. 455/575.3
 2011/0275422 A1 * 11/2011 Kemppinen 455/575.4
 2013/0141857 A1 * 6/2013 Sano 361/679.27
 2013/0160244 A1 * 6/2013 Sayama 16/370
 2013/0217443 A1 * 8/2013 Lim et al. 455/566
 2013/0293444 A1 * 11/2013 Sano et al. 345/1.3
 2013/0321340 A1 * 12/2013 Seo et al. 345/174

OTHER PUBLICATIONS

Motorola Backflip telephone, announced Jan. 2010, [online], [site visited May 29, 2014]. Available from Internet, <URL: http://www.gsmarena.com/motorola_backflip-3079.php>.*

* cited by examiner

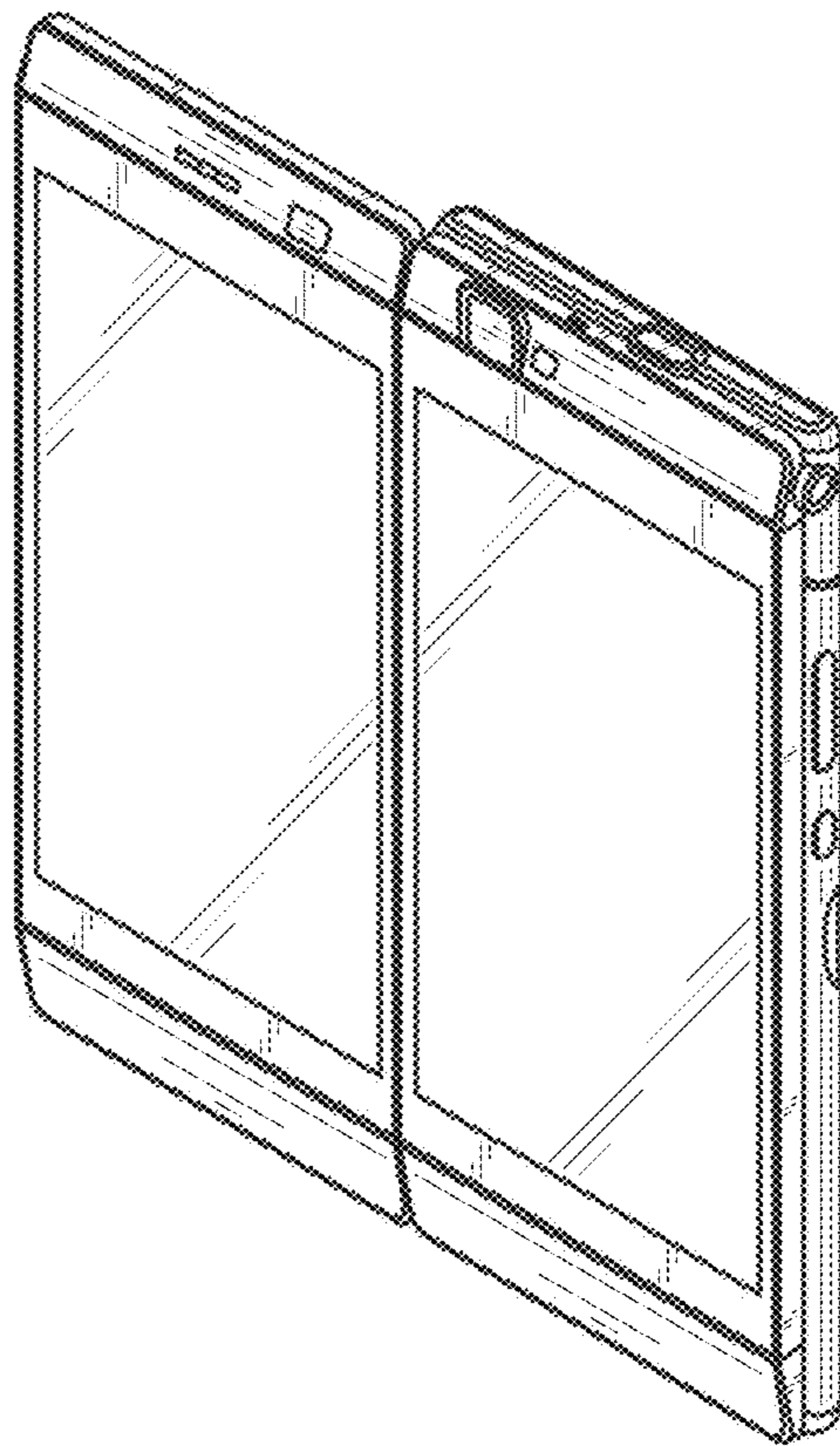


FIG. 1

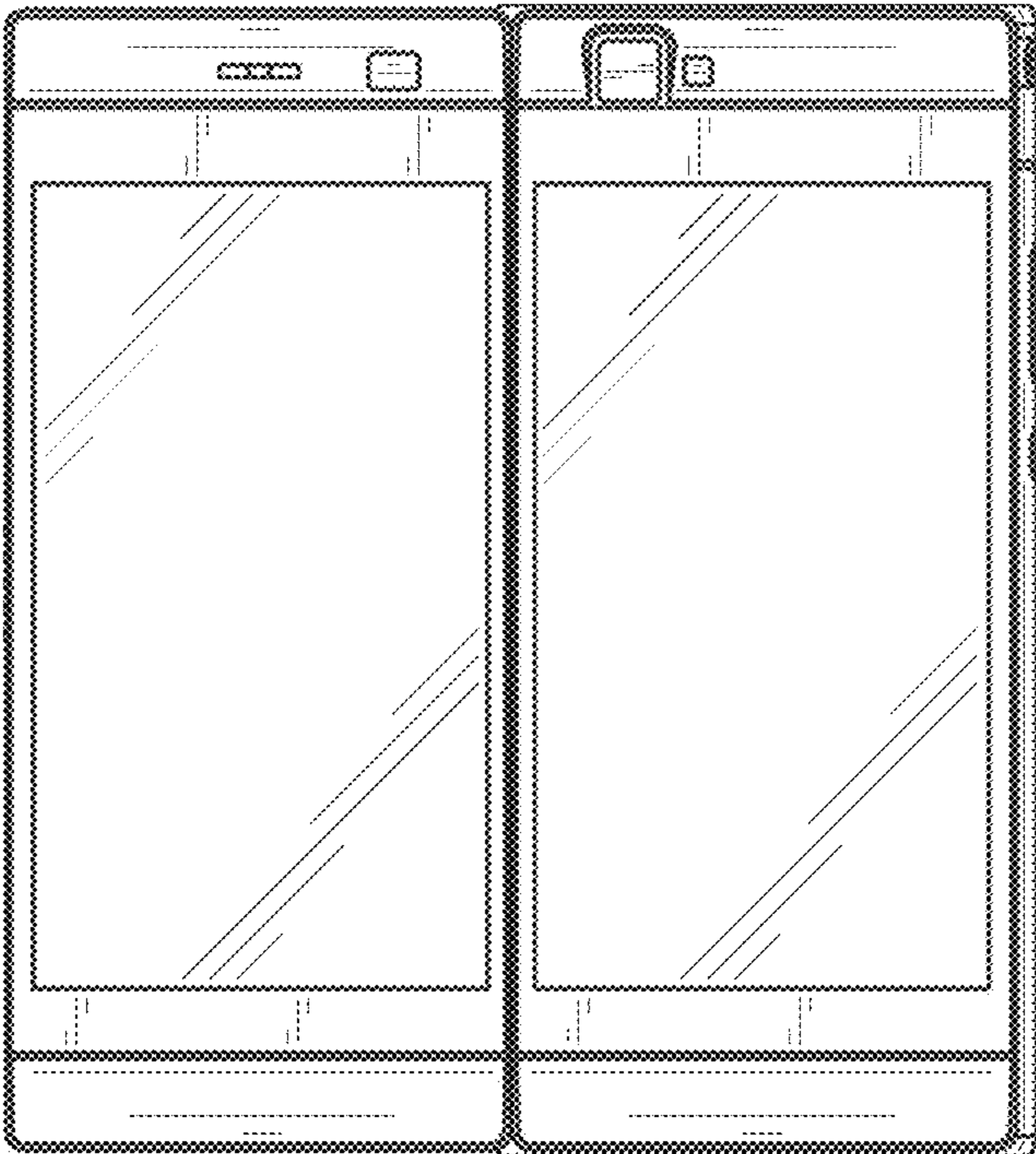


FIG. 2

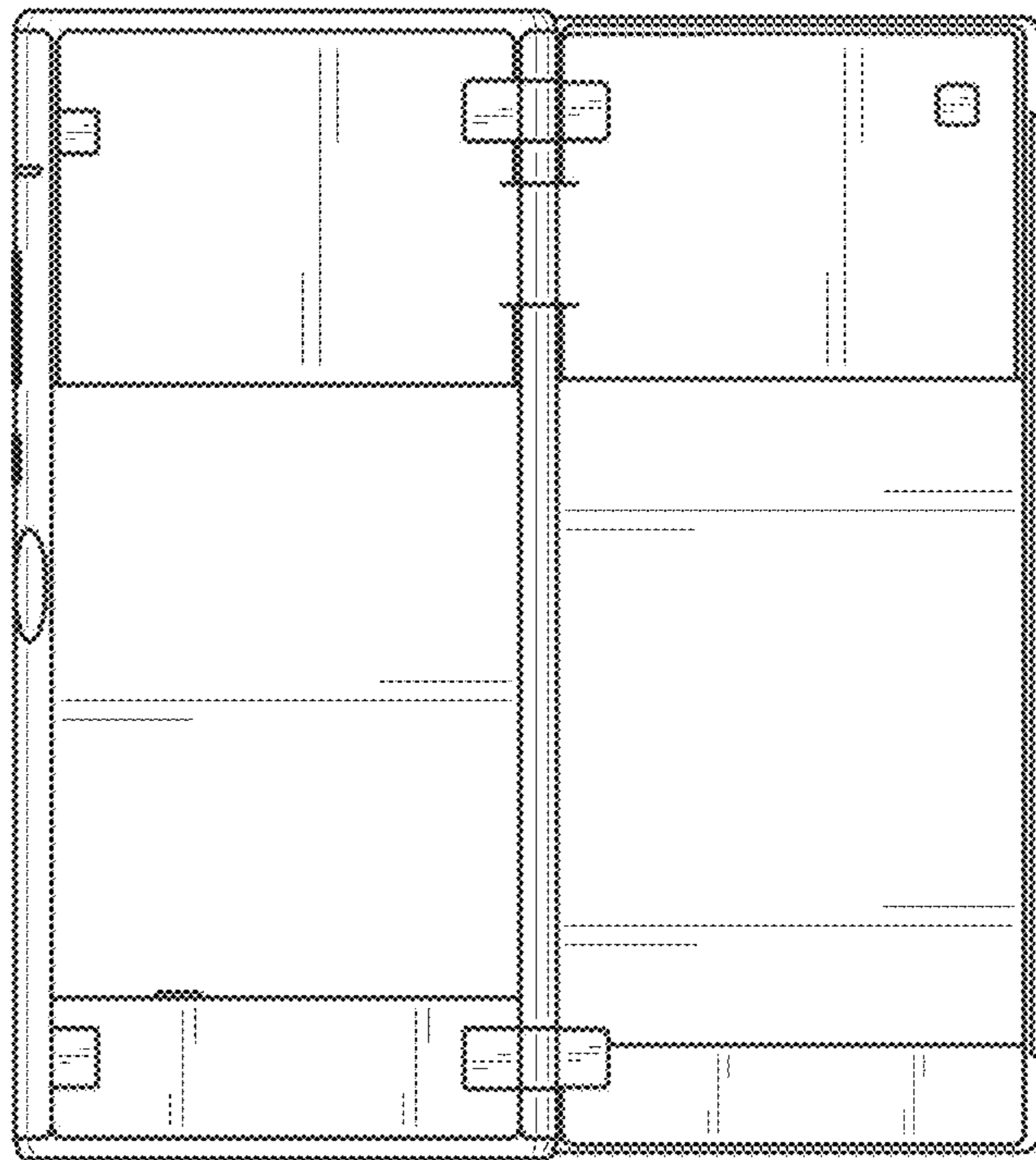


FIG. 3



FIG. 4



FIG. 5



FIG. 6



FIG. 7

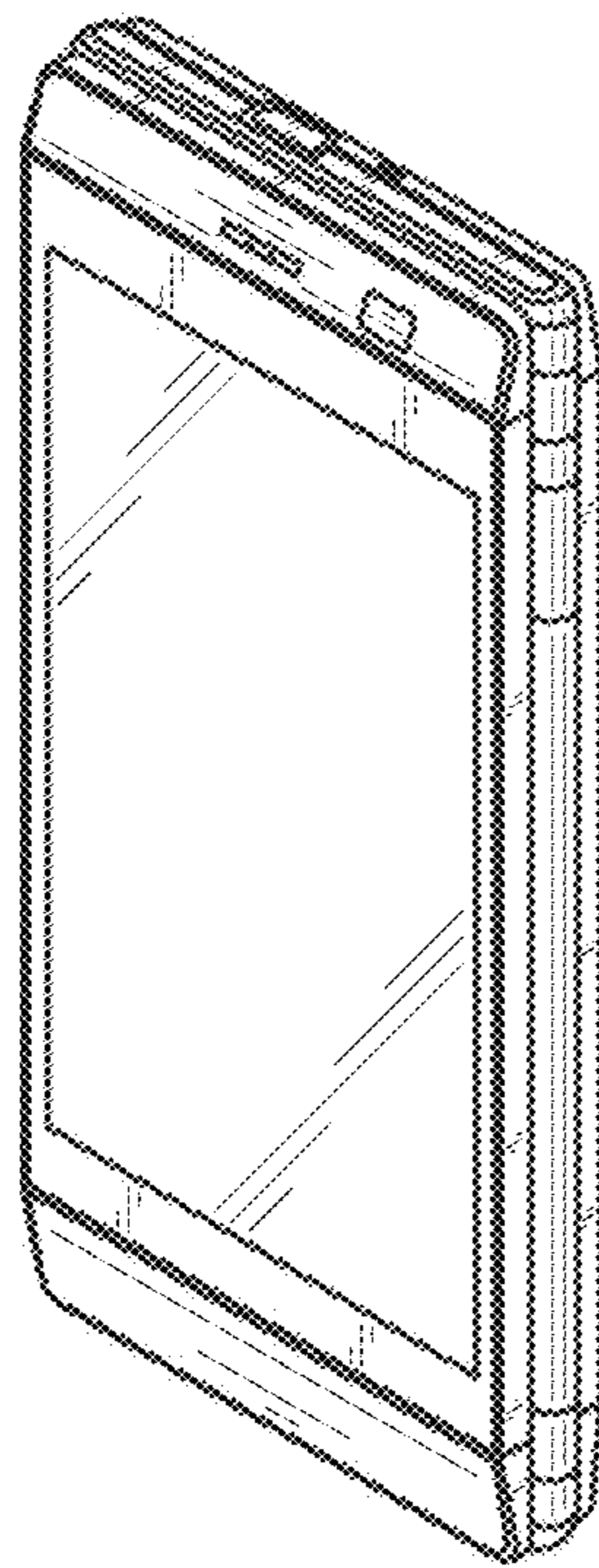


FIG. 8

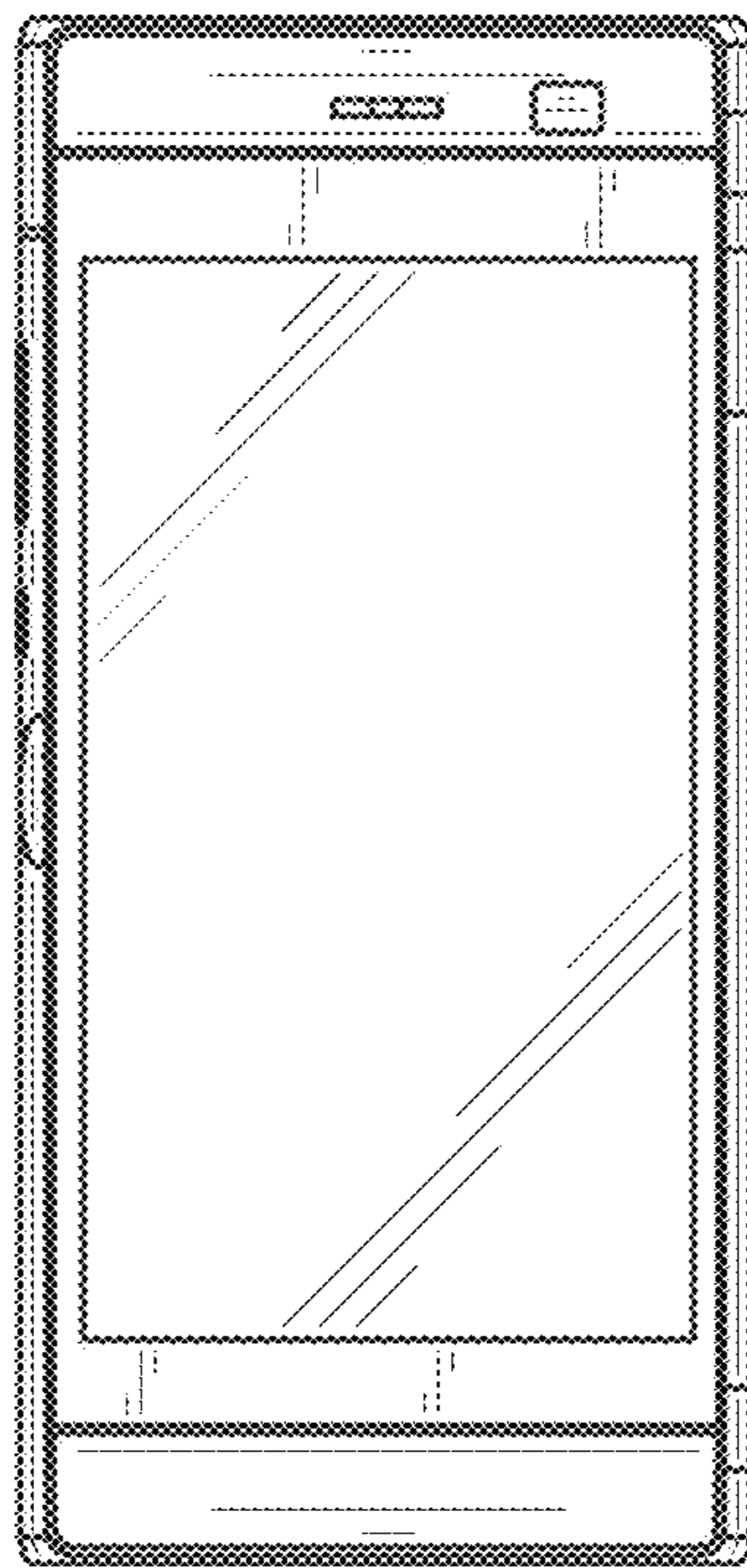


FIG. 9

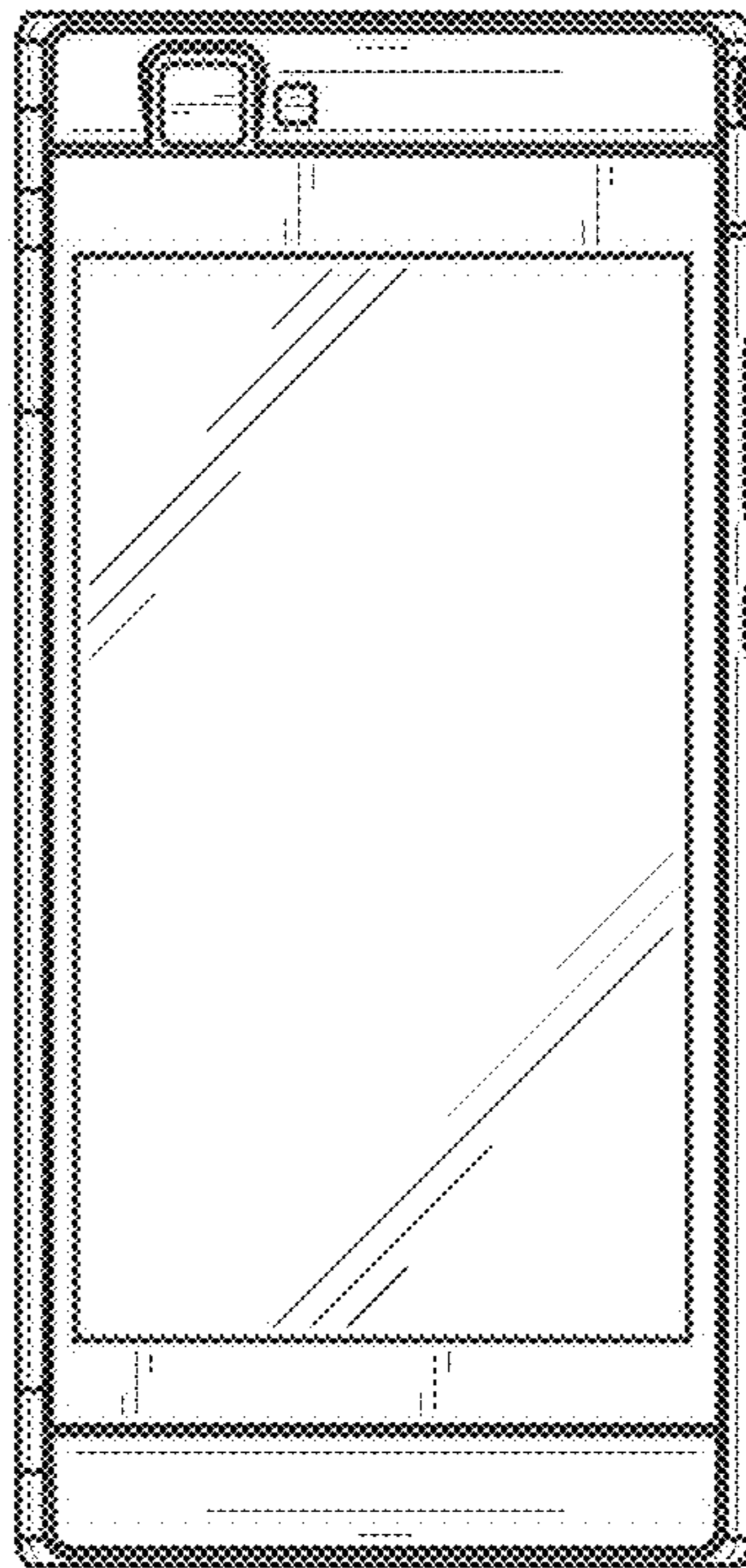


FIG. 10



FIG. 11

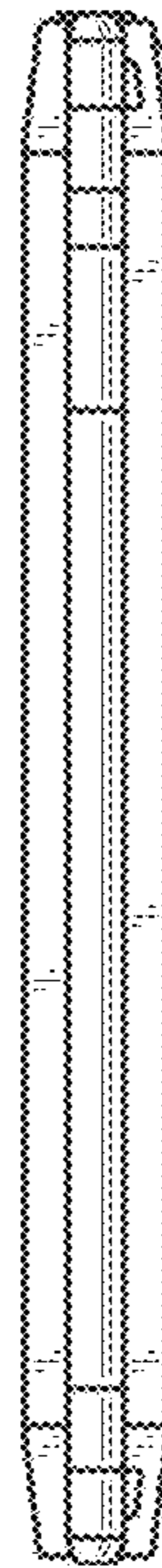


FIG. 12

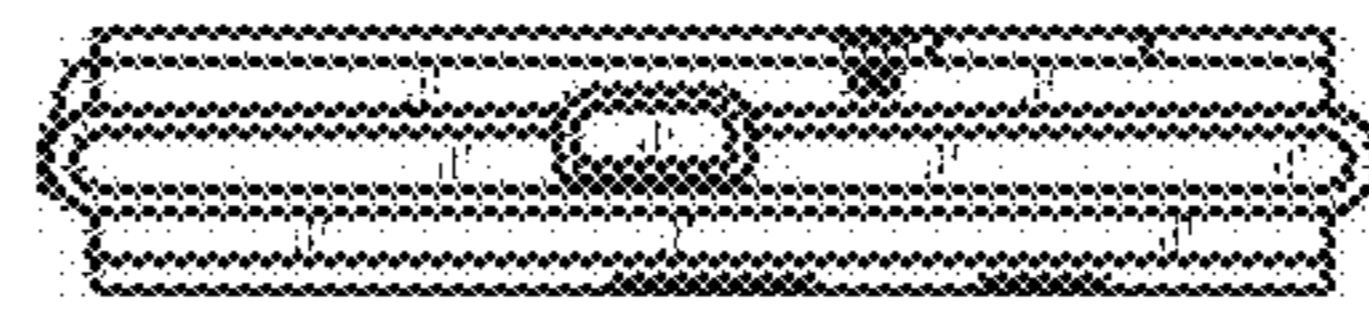


FIG. 13



FIG. 14