



US00D716740S

(12) **United States Design Patent**
Rodriguez et al.

(10) **Patent No.:** **US D716,740 S**
(45) **Date of Patent:** **** Nov. 4, 2014**

(54) **CONTROL PANEL**

(71) Applicant: **RGB Systems, Inc.**, Anaheim, CA (US)

(72) Inventors: **Osbaldo Rodriguez**, Huntington Beach, CA (US); **Lawrence Lum**, Irvine, CA (US); **Robert M Chaloupecky**, Apex, NC (US); **Jaysun Stockdell-Giesler**, Cary, NC (US); **Kate Gentle**, Cary, NC (US); **Matthew Soper**, Clayton, NC (US)

(73) Assignee: **RGB Systems, Inc.**, Anaheim, CA (US)

(**) Term: **14 Years**

(21) Appl. No.: **29/464,403**

(22) Filed: **Aug. 15, 2013**

(51) **LOC (10) Cl.** **13-03**

(52) **U.S. Cl.**
USPC **D13/164**

(58) **Field of Classification Search**

USPC D13/162, 164, 171, 174; D14/388; 307/139, 157; 315/209 R, 224, 246, 315/291, 294, 295; 200/5 R, 5 A, 302.2, 520, 200/530, 293, 296, 308, 310, 314, 329, 200/341; 220/241; 174/66

See application file for complete search history.

(56) **References Cited**

U.S. PATENT DOCUMENTS

D320,786 S * 10/1991 Darnell et al. D13/171
D352,025 S * 11/1994 Dellavecchia et al. D13/164
D394,042 S * 5/1998 Hwang D13/171
5,892,192 A * 4/1999 Ishiguro et al. 200/5 R
D442,558 S * 5/2001 Mayo et al. D13/162
6,660,948 B2 * 12/2003 Clegg et al. 200/5 A
6,765,149 B1 * 7/2004 Ku 174/66
6,849,968 B2 * 2/2005 Park 307/112
D518,794 S * 4/2006 Hedderich et al. D13/164
D519,939 S * 5/2006 Hedderich et al. D13/164

7,067,754 B2 * 6/2006 Weston et al. 200/314
D541,221 S * 4/2007 Spira D13/162
D557,665 S * 12/2007 Hewson et al. D13/164
7,332,681 B2 * 2/2008 Wohlfart 200/5 A
7,432,463 B2 * 10/2008 Clegg et al. 200/310
D585,841 S * 2/2009 Hollner D13/164
D586,760 S * 2/2009 Hollner et al. D13/164
7,595,459 B2 * 9/2009 Oh 200/333
8,289,192 B2 * 10/2012 O'Donnell 341/22
8,299,359 B2 * 10/2012 Alderson et al. 174/66
8,674,221 B2 * 3/2014 Yang 174/66
2002/0153239 A1 * 10/2002 Yoshida et al. 200/520
2007/0039807 A1 * 2/2007 Yang 200/296

* cited by examiner

Primary Examiner — Selina Sikder

(74) *Attorney, Agent, or Firm* — The Hecker Law Group, PLC

(57) **CLAIM**

The ornamental design for a control panel, as shown and described.

DESCRIPTION

FIG. 1 is a front perspective view of an embodiment of the control panel of the present invention.

FIG. 2 is a front view of an embodiment of the control panel of the present invention.

FIG. 3 is a rear side view of an embodiment of the control panel of the present invention.

FIG. 4 is a top view of an embodiment of the control panel of the present invention.

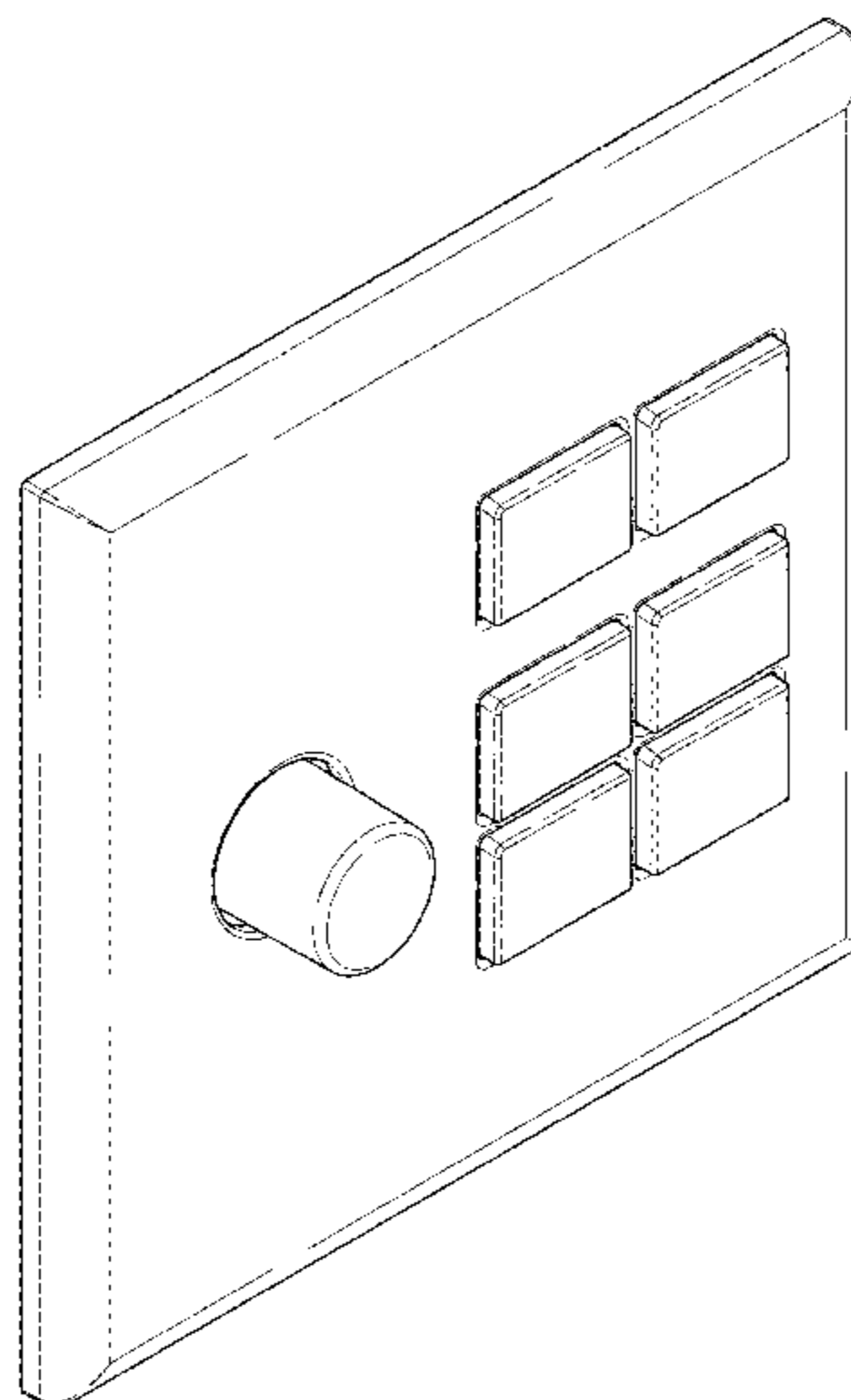
FIG. 5 is a bottom view of an embodiment of the control panel of the present invention.

FIG. 6 is a right side view of an embodiment of the control panel of the present invention; and,

FIG. 7 is a left side view of an embodiment of the control panel of the present invention.

The broken line showing of the control panel is for the purpose of illustrating environmental structure and forms no part of the claimed design.

1 Claim, 7 Drawing Sheets



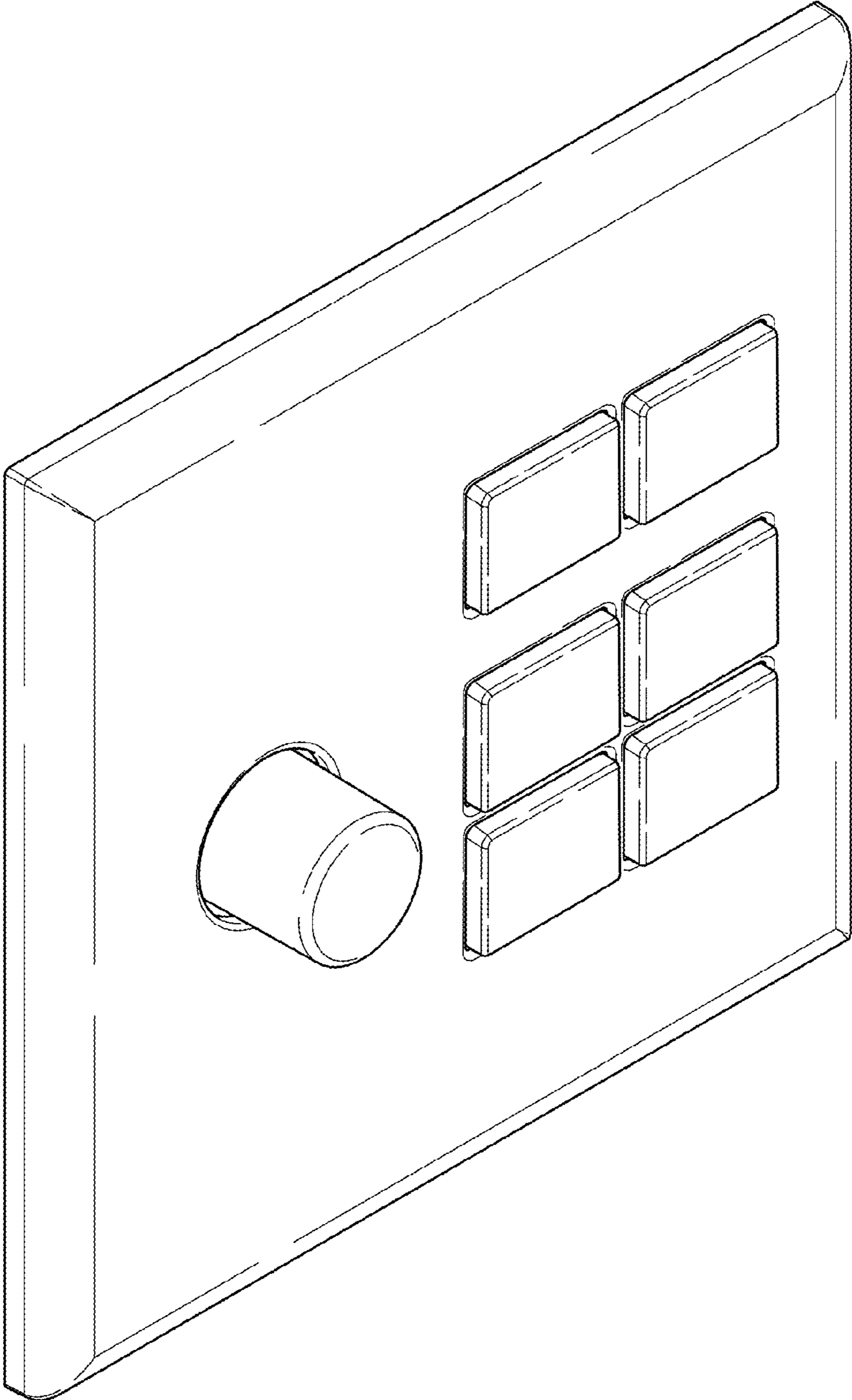


FIG. 1

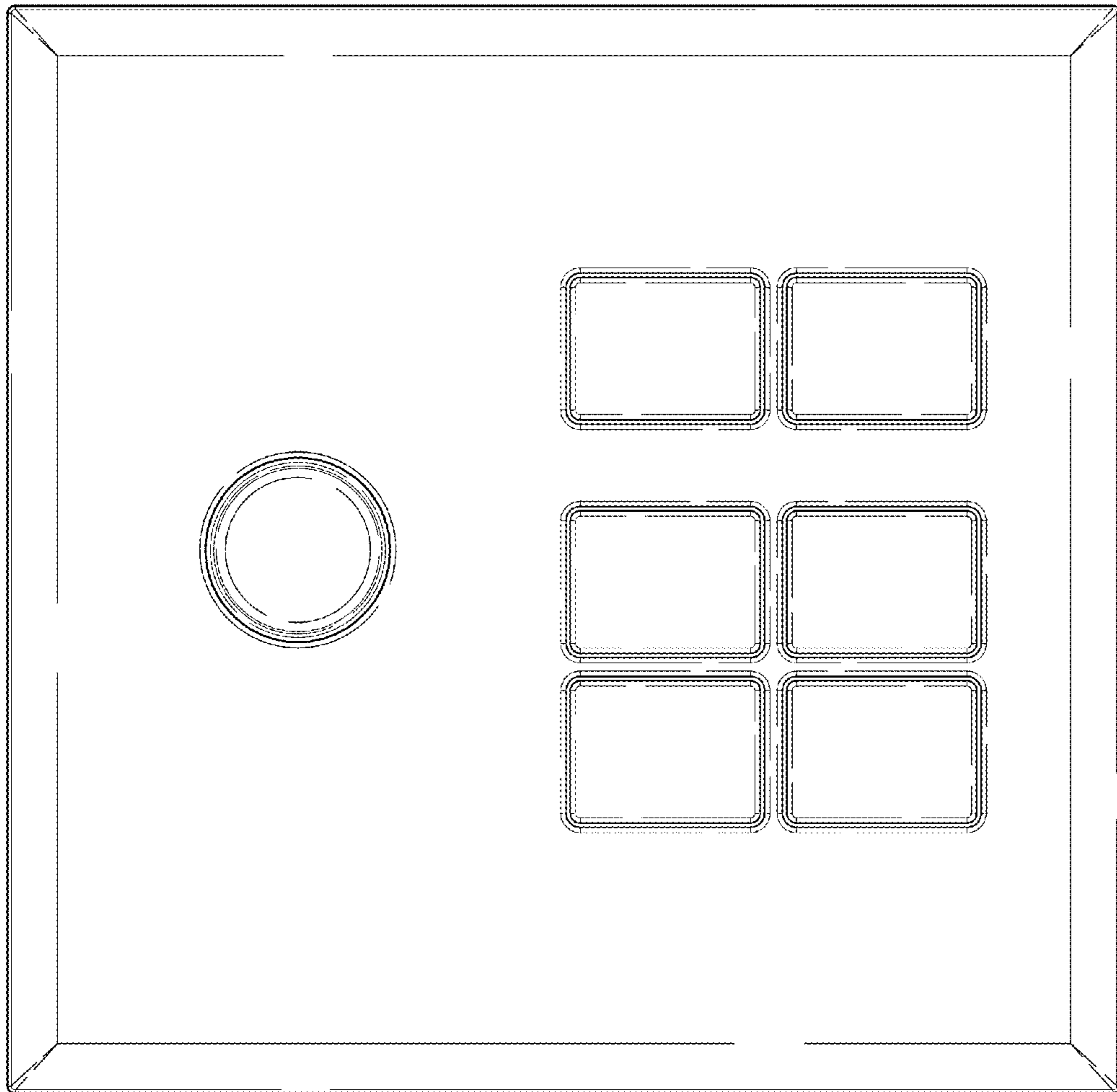


FIG. 2

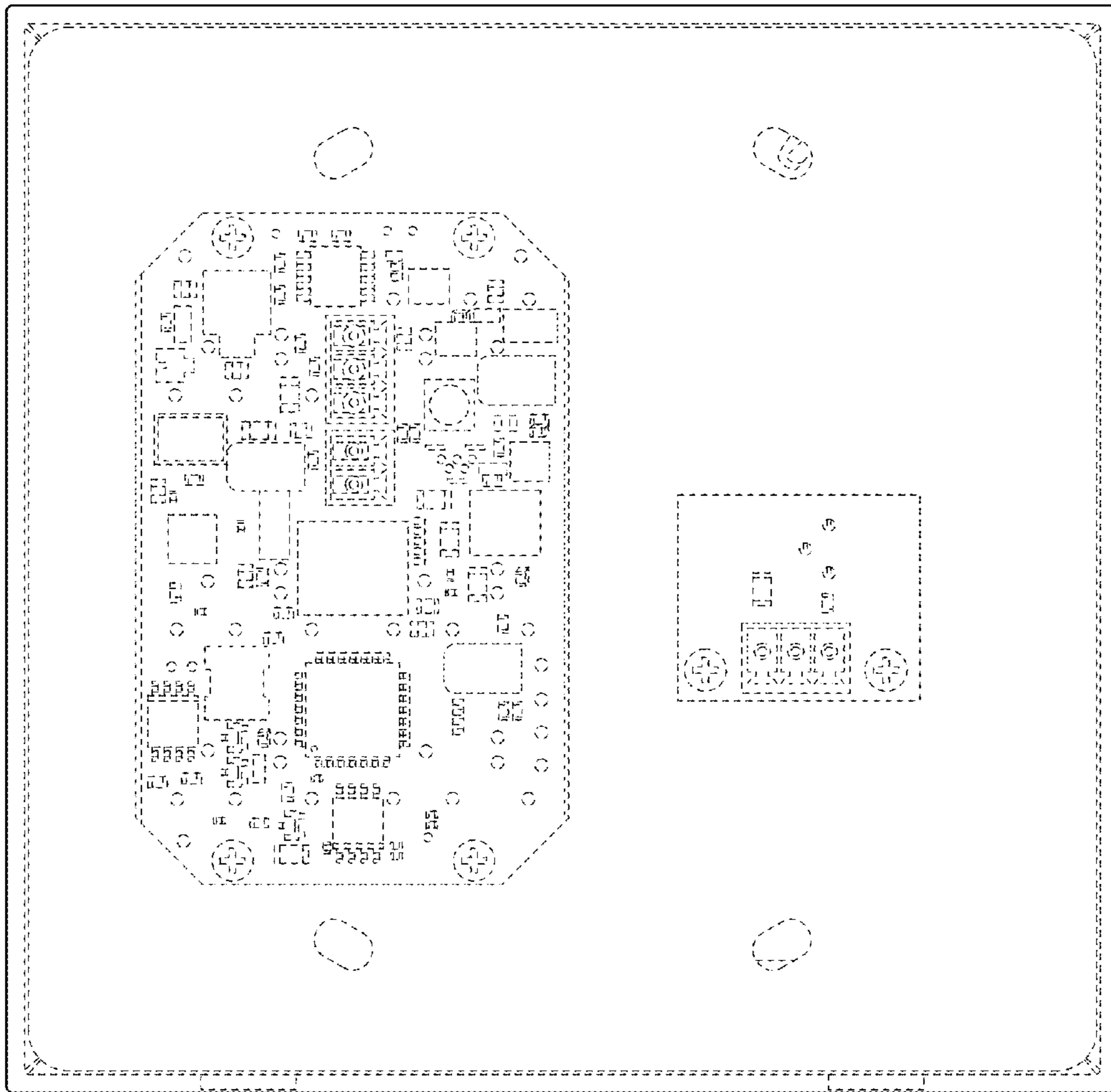


FIG. 3

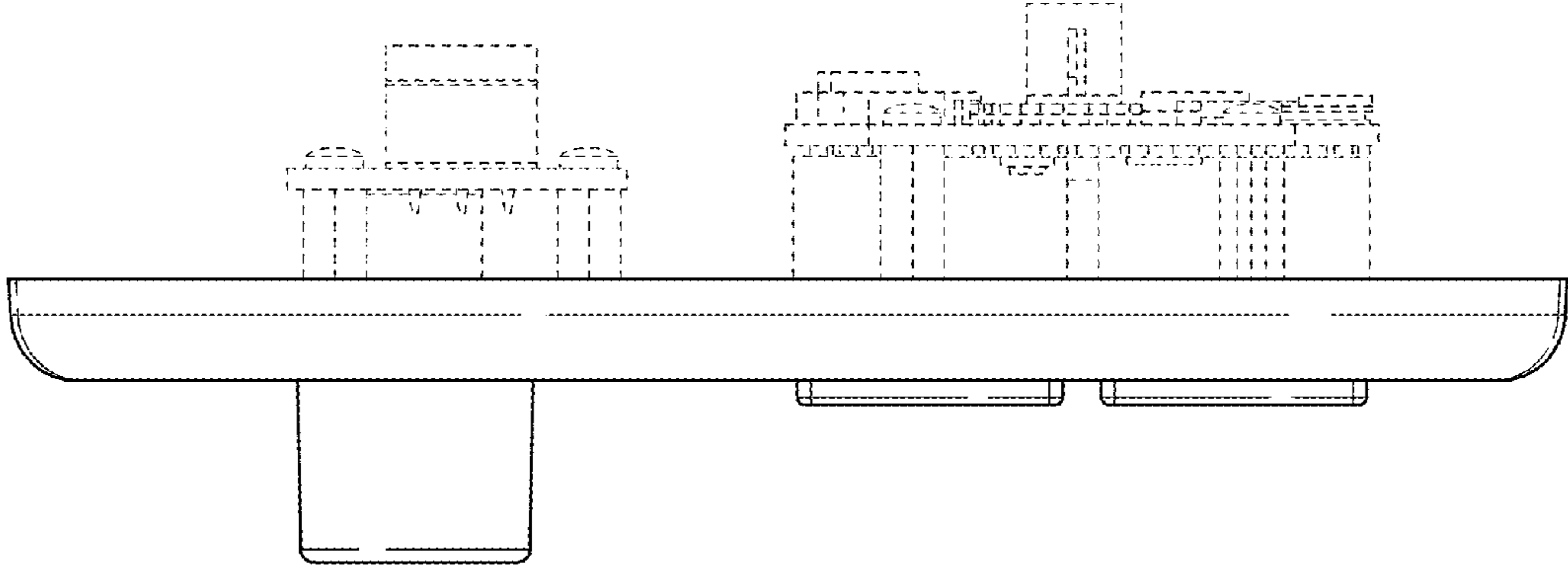


FIG. 4

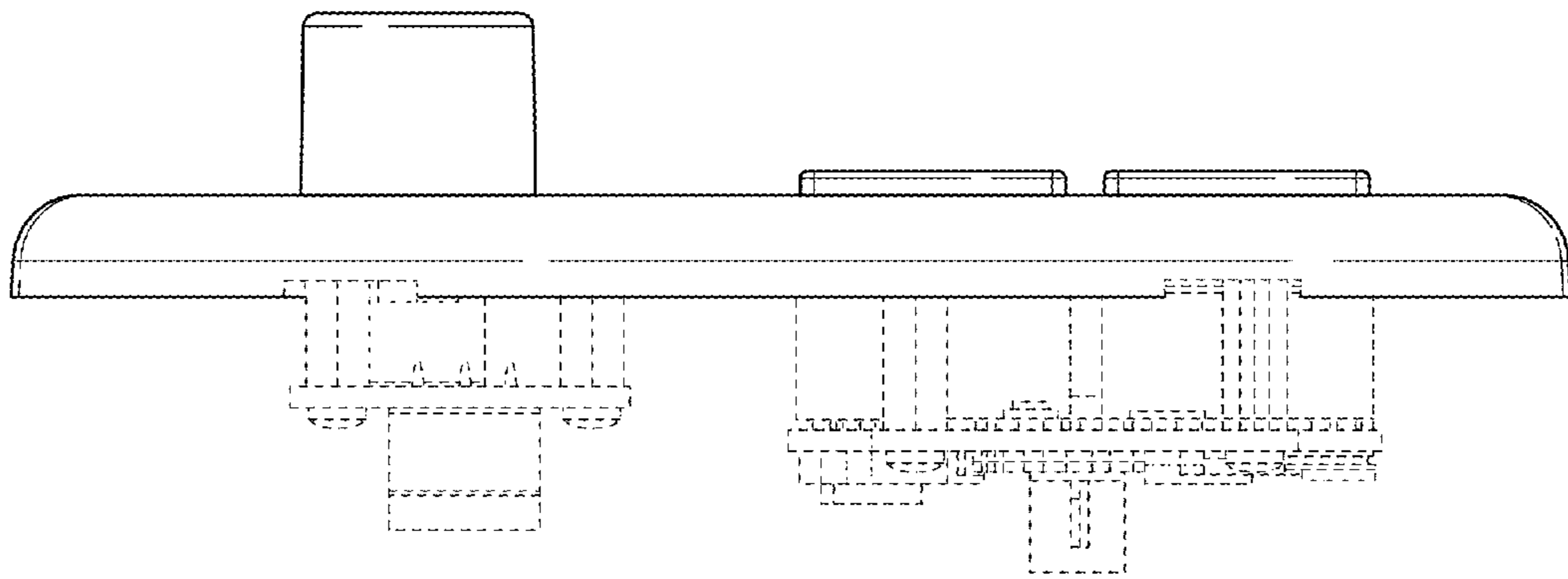


FIG. 5

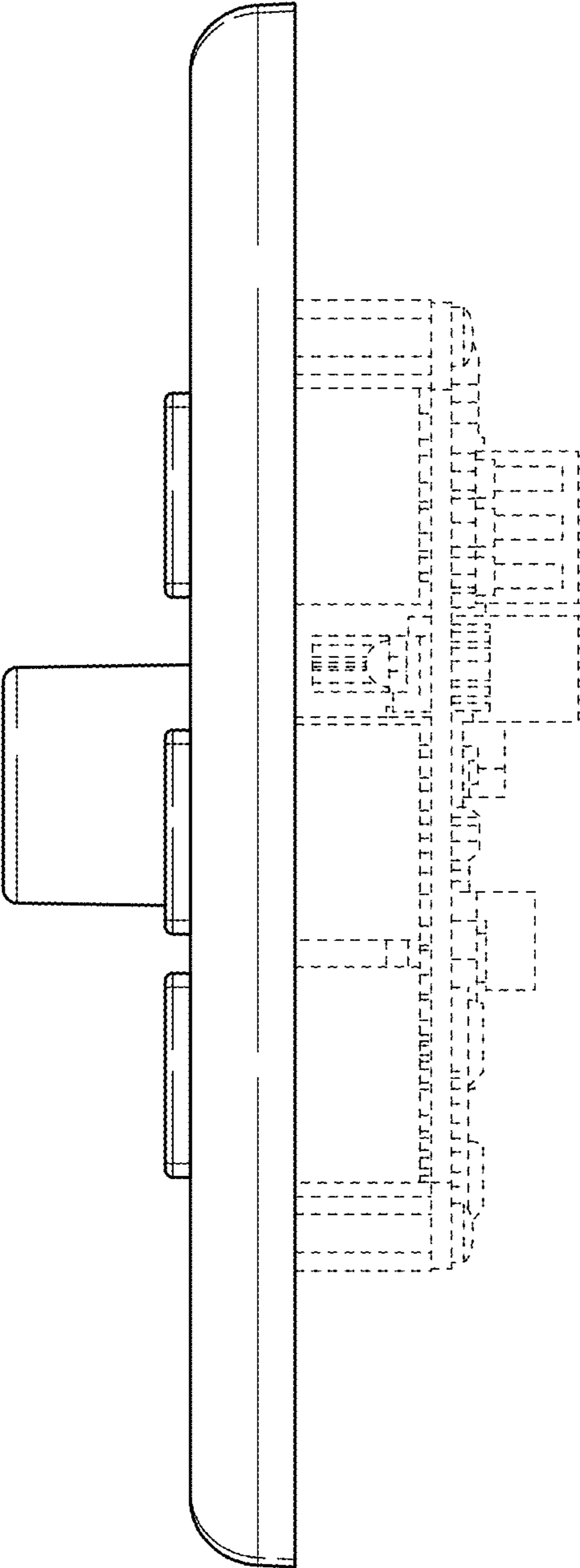


FIG. 6

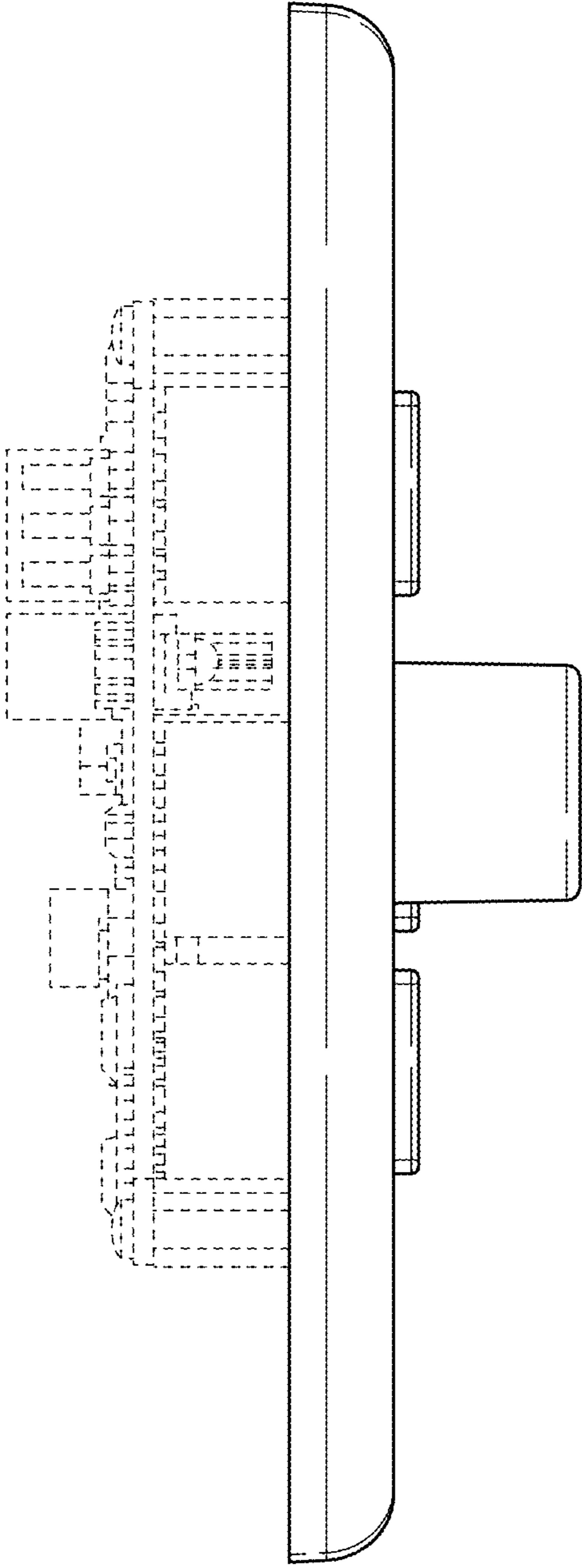


FIG. 7