



US00D716739S

(12) **United States Design Patent**
Yamamoto

(10) **Patent No.:** **US D716,739 S**
(45) **Date of Patent:** **** Nov. 4, 2014**

(54) **ELECTRICAL CONNECTOR**

(71) Applicant: **Sony Corporation**, Tokyo (JP)

(72) Inventor: **Ryo Yamamoto**, Chiba (JP)

(73) Assignee: **Sony Corporation**, Tokyo (JP)

(**) Term: **14 Years**

(21) Appl. No.: **29/485,027**

(22) Filed: **Mar. 14, 2014**

| | | | | |
|--------------|---------|------------------|-------|---------|
| D416,233 S * | 11/1999 | Tsai | | D13/153 |
| D416,868 S * | 11/1999 | Tsai | | D13/153 |
| D437,290 S | 2/2001 | Goto | | |
| D449,275 S | 10/2001 | Goto | | |
| D450,039 S | 11/2001 | Goto | | |
| D548,700 S * | 8/2007 | Ledbetter et al. | | D13/154 |
| D575,236 S * | 8/2008 | Tago et al. | | D13/147 |
| D585,835 S | 2/2009 | Jaqua et al. | | |
| D588,545 S | 3/2009 | Andre et al. | | |
| D610,095 S * | 2/2010 | Wu et al. | | D13/147 |
| D613,249 S * | 4/2010 | Nagata et al. | | D13/147 |
| D636,340 S * | 4/2011 | Sasaki et al. | | D13/147 |
| D636,341 S * | 4/2011 | Sasaki et al. | | D13/147 |
| D683,703 S | 6/2013 | Akana et al. | | |
| D694,190 S * | 11/2013 | Wincek | | D13/147 |
| D704,139 S * | 5/2014 | Yamamoto | | D13/147 |

* cited by examiner

Related U.S. Application Data

(63) Continuation of application No. 29/421,643, filed on Aug. 27, 2012, now Pat. No. Des. 704,139.

(51) **LOC (10) Cl.** **13-03**

(52) **U.S. Cl.**
USPC **D13/147**

(58) **Field of Classification Search**
USPC D13/147, 153, 154, 184, 199; 439/79, 439/108, 135, 180, 246, 278, 291, 328, 344, 439/350, 353, 357, 358, 374, 378, 381, 391, 439/489, 509, 527, 529, 530, 533, 587, 594, 439/598, 607.01, 607.04, 607.05, 607.17, 439/607.25, 607.34, 607.41, 607.53, 626, 439/629, 637, 656, 660, 668, 676, 680, 711, 439/745, 752, 892, 894

See application file for complete search history.

(56) **References Cited**

U.S. PATENT DOCUMENTS

D366,242 S 1/1996 Goto
D381,629 S 7/1997 Goto

Primary Examiner — Daniel Bui

(74) *Attorney, Agent, or Firm* — Rader, Fishman & Grauer PLLC

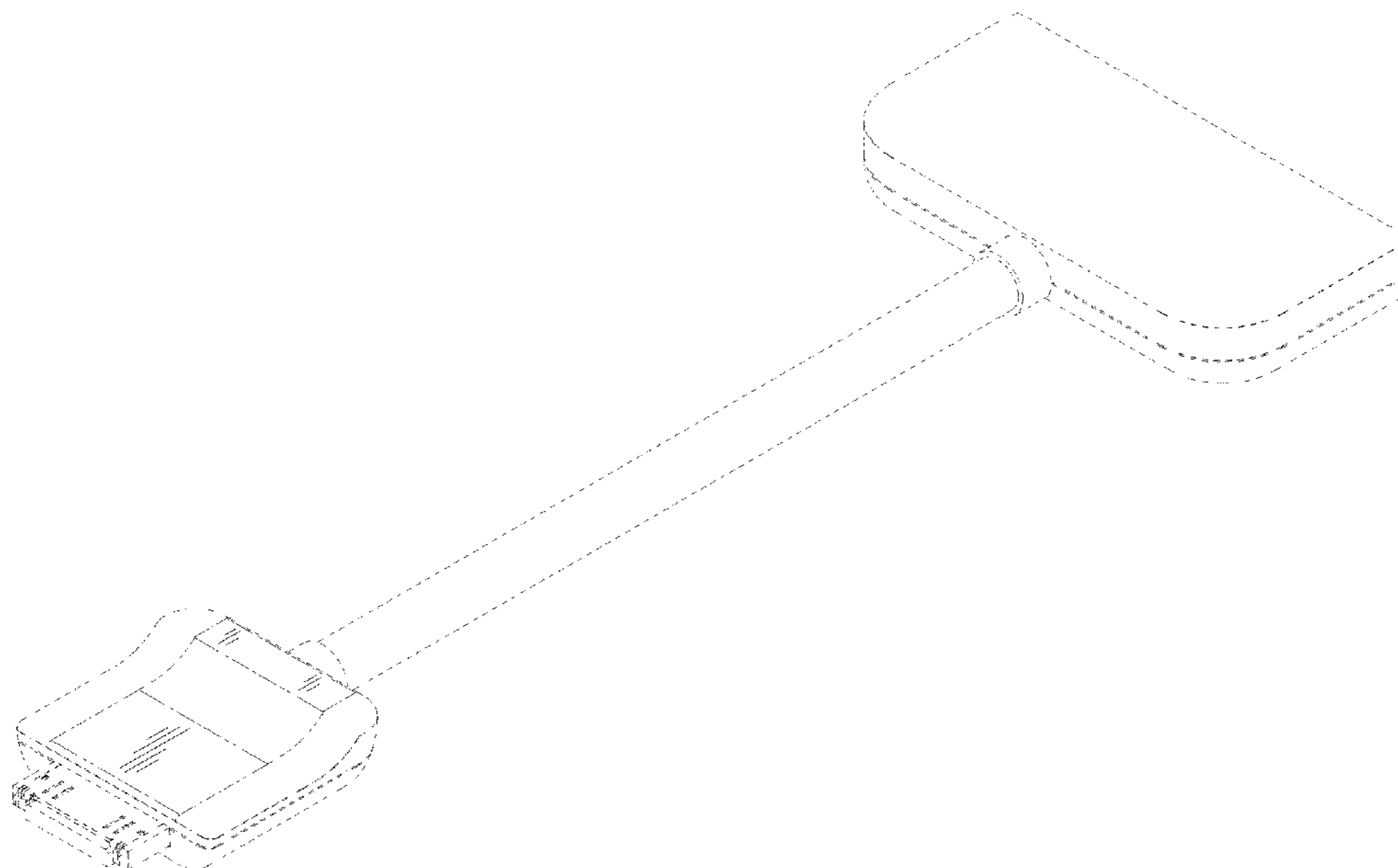
(57) **CLAIM**

The ornamental design for an electrical connector, as shown and described.

DESCRIPTION

FIG. 1 is a perspective view of an electrical connector showing my new design;
FIG. 2 is a front elevational view thereof;
FIG. 3 is a top plan view thereof; and,
FIG. 4 is a bottom plan view thereof.
Portions in broken lines are for illustrative purpose only and form no part of the claimed design. Dot-dash broken lines define the boundaries of, but not included in, the claimed design.

1 Claim, 2 Drawing Sheets



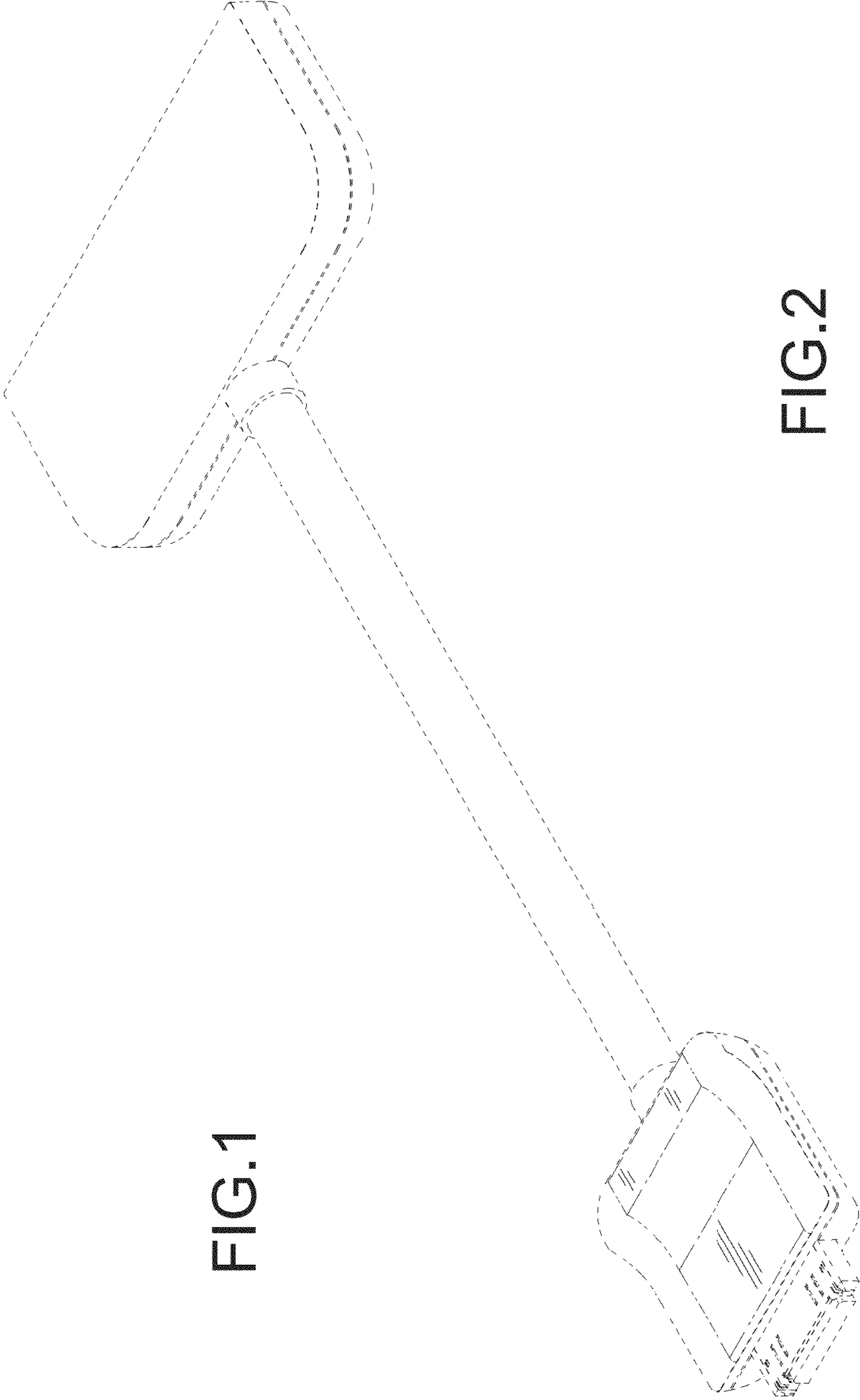


FIG.1

FIG.2

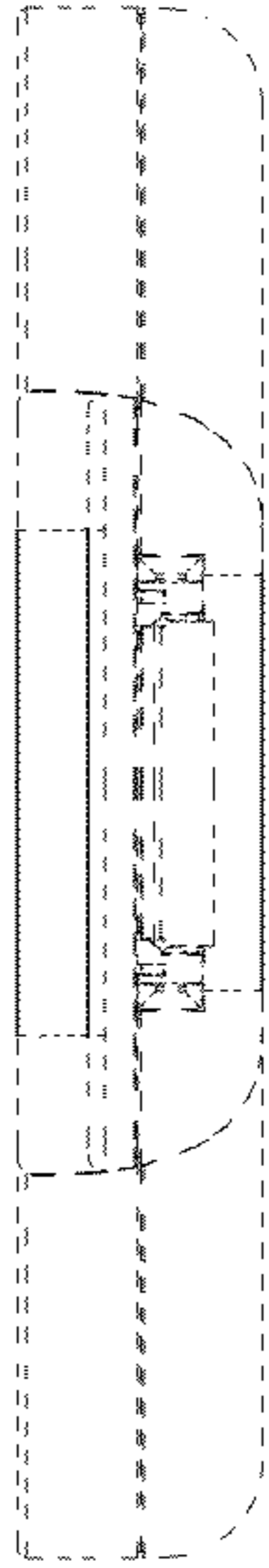


FIG.3

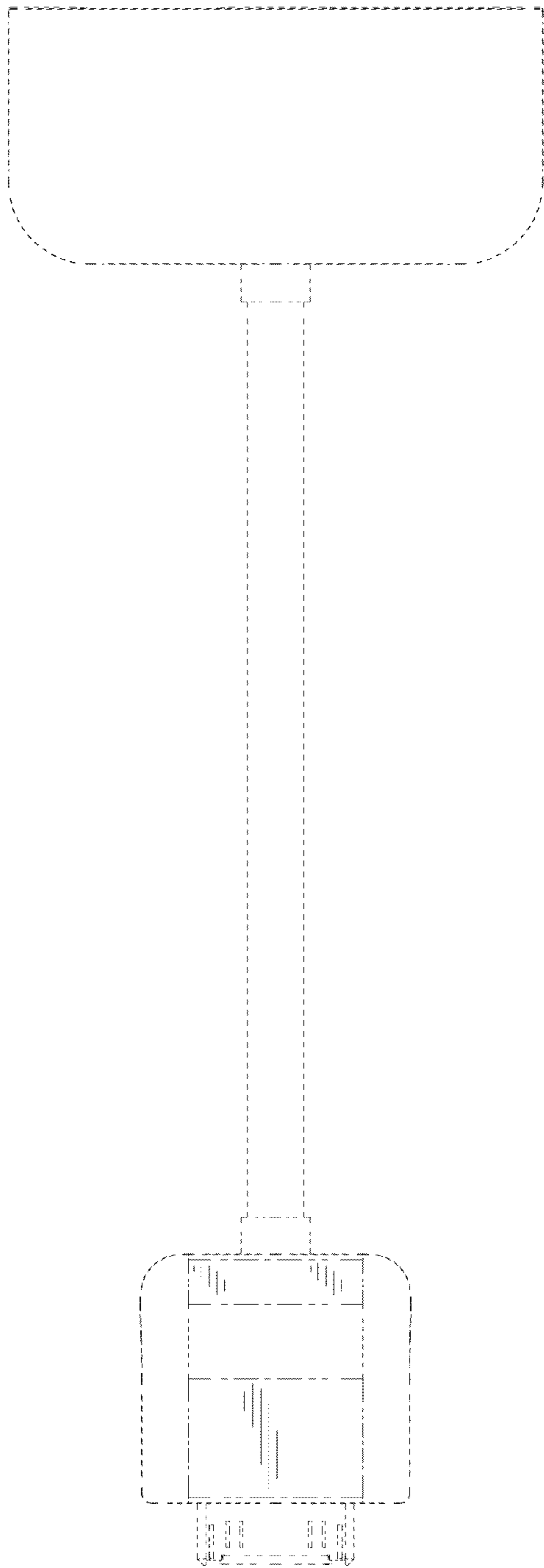


FIG.4

