



US00D716738S

(12) **United States Design Patent**
York

(10) **Patent No.:** **US D716,738 S**
(45) **Date of Patent:** **** Nov. 4, 2014**

(54) **T-LATCH ELECTRICAL PLUG**

(75) Inventor: **Charles L York**, Townsend, MA (US)

(73) Assignee: **Anderson Power Products, Inc.**,
Sterling, MA (US)

(**) Term: **14 Years**

(21) Appl. No.: **29/427,643**

(22) Filed: **Jul. 20, 2012**

(51) **LOC (10) Cl.** **13-03**

(52) **U.S. Cl.**
USPC **D13/147**

(58) **Field of Classification Search**
USPC D13/146-147, 154, 184, 199; 439/282,
439/292, 345, 346, 352, 374, 483, 594, 598
See application file for complete search history.

(56) **References Cited**

U.S. PATENT DOCUMENTS

D544,840 S *	6/2007	Hargreaves et al.	D13/146
D544,844 S *	6/2007	Askeland et al.	D13/154
D604,246 S *	11/2009	Mancini	D13/146
D628,158 S *	11/2010	Skidmore et al.	D13/146
D639,250 S *	6/2011	Svelnis et al.	D13/154
D691,561 S *	10/2013	York et al.	D13/133
2006/0276071 A1 *	12/2006	Rossi	439/352

FOREIGN PATENT DOCUMENTS

TW D144317 A 12/2011

OTHER PUBLICATIONS

Tiawan IPO Search Report for Design Patent Application No. 101305734, Apr. 24, 2013 1 page.

* cited by examiner

Primary Examiner — Daniel Bui

(74) *Attorney, Agent, or Firm* — Maine Cernota & Rardin

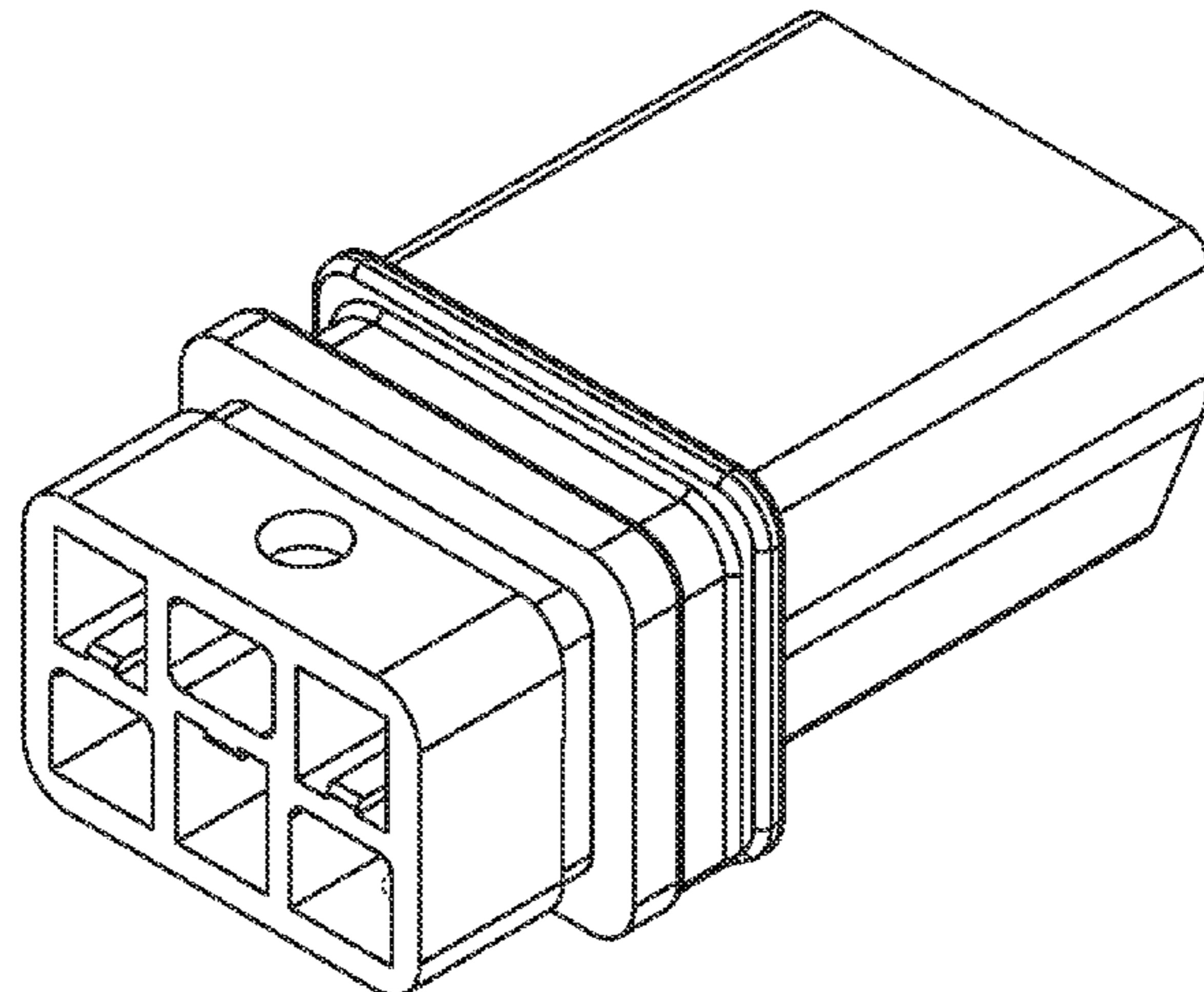
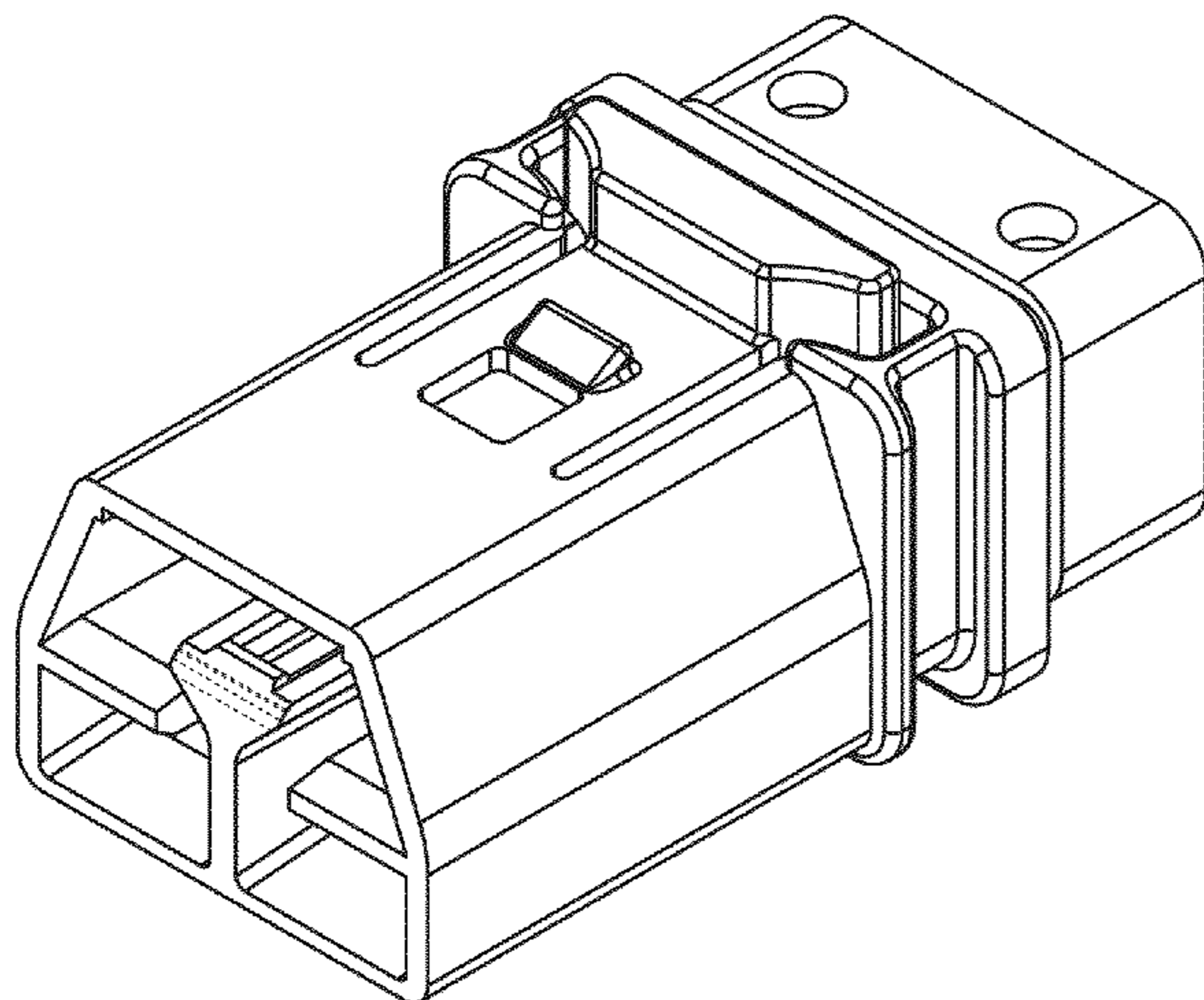
(57) **CLAIM**

The ornamental design for a T-latch electrical plug, as shown and described.

DESCRIPTION

FIG. 1 is a front elevation view of a T-latch electrical plug, showing my new design;
FIG. 2 is a back elevation view thereof;
FIG. 3 is a left side elevation view thereof;
FIG. 4 is a right side elevation view thereof;
FIG. 5 is a top plan view thereof;
FIG. 6 is a bottom plan view thereof;
FIG. 7 is a front, top and right side perspective view thereof; and,
FIG. 8 is a back, bottom and left side perspective view thereof.
The broken line portions of the figure drawings are included to show unclaimed environment only and form no part of the claimed design.

1 Claim, 8 Drawing Sheets



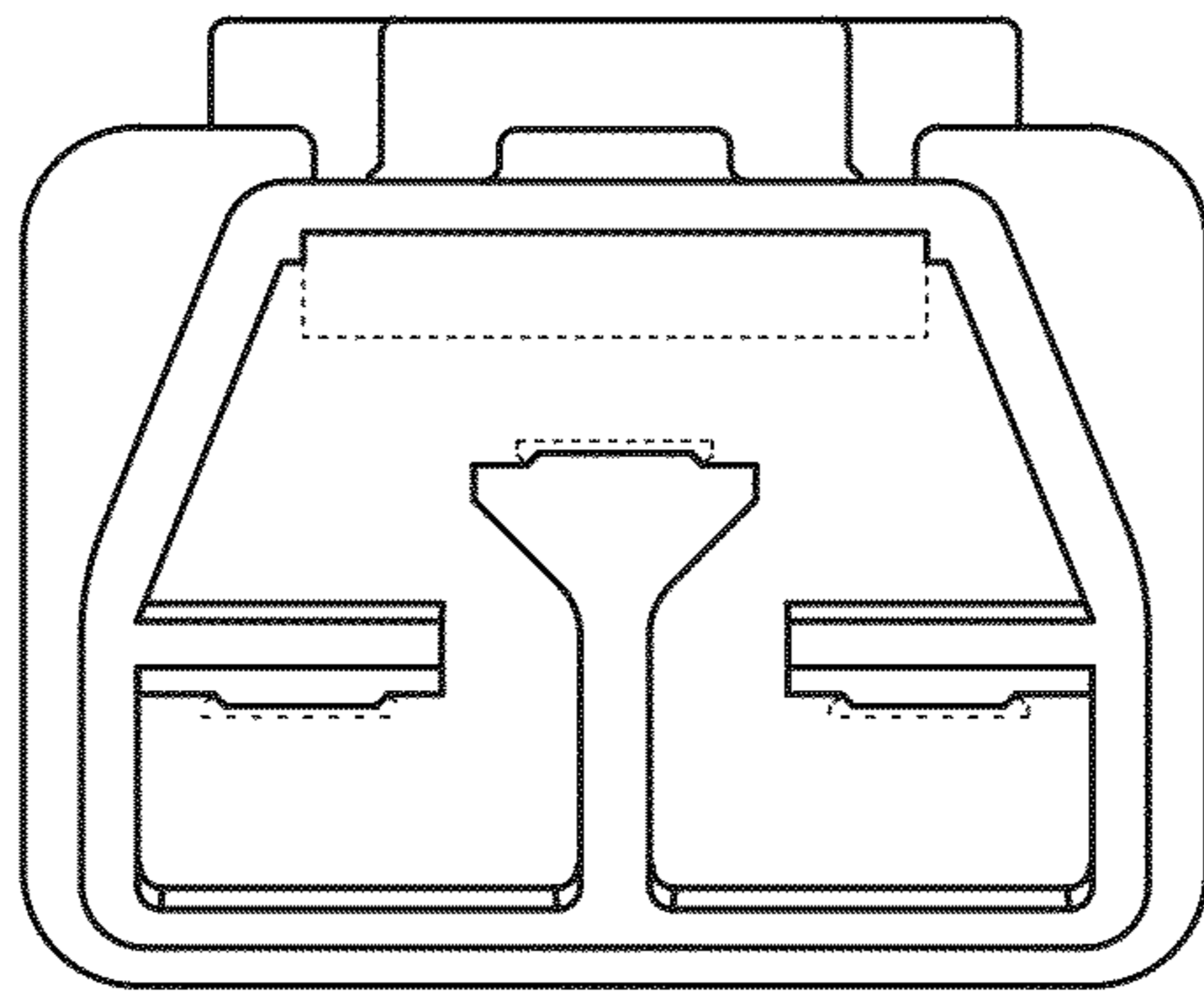


FIG. 1

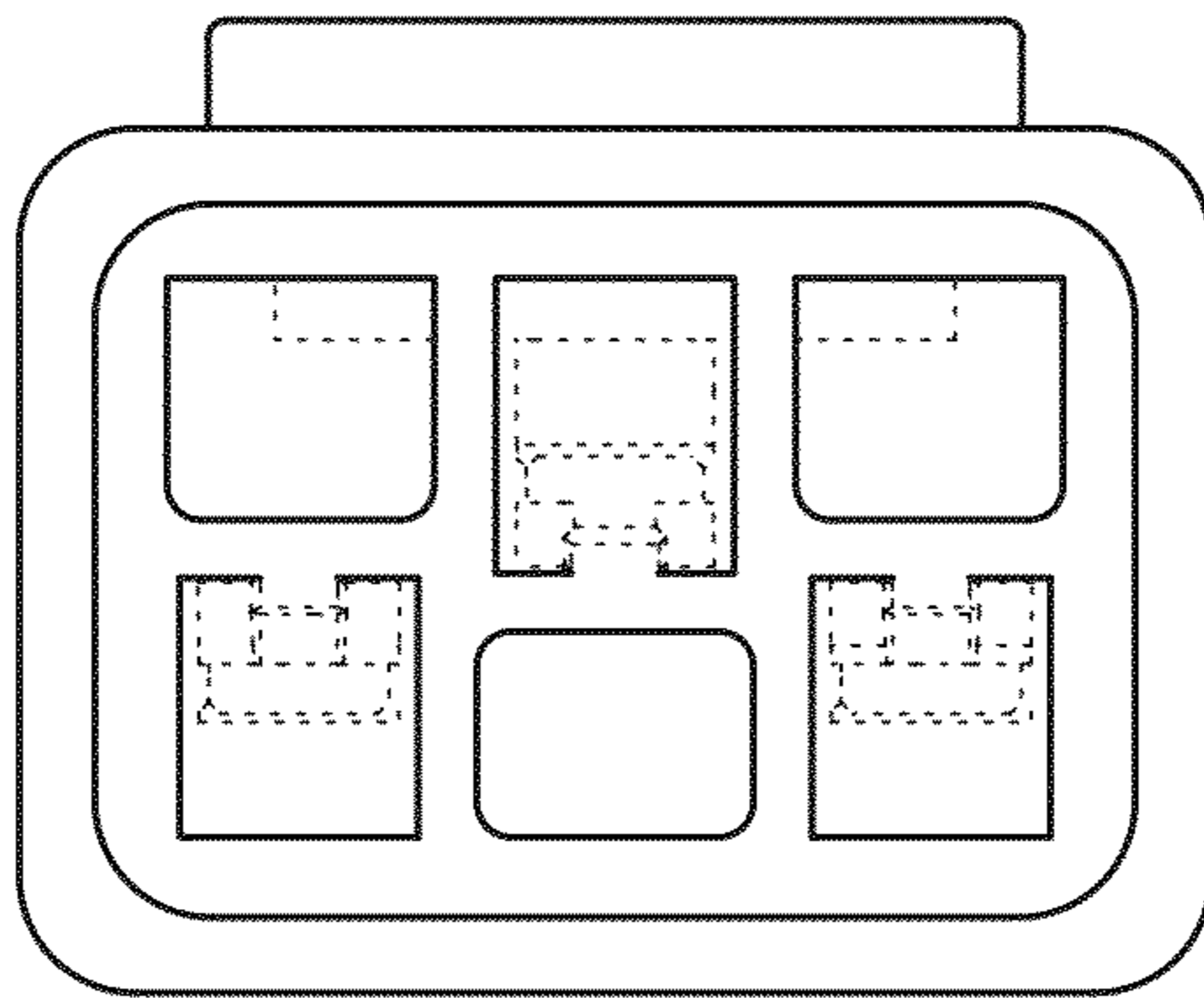


FIG. 2

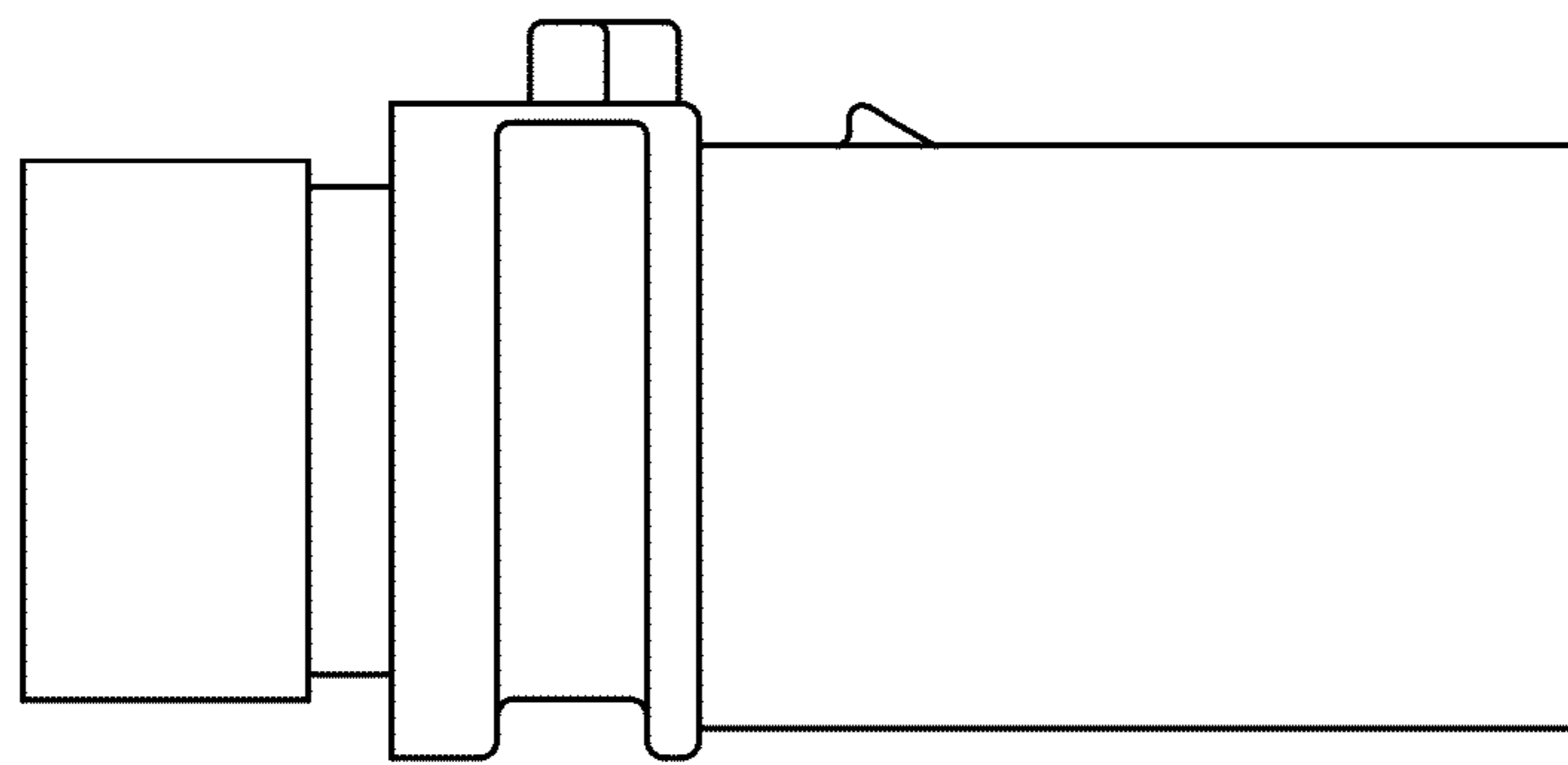


FIG. 3

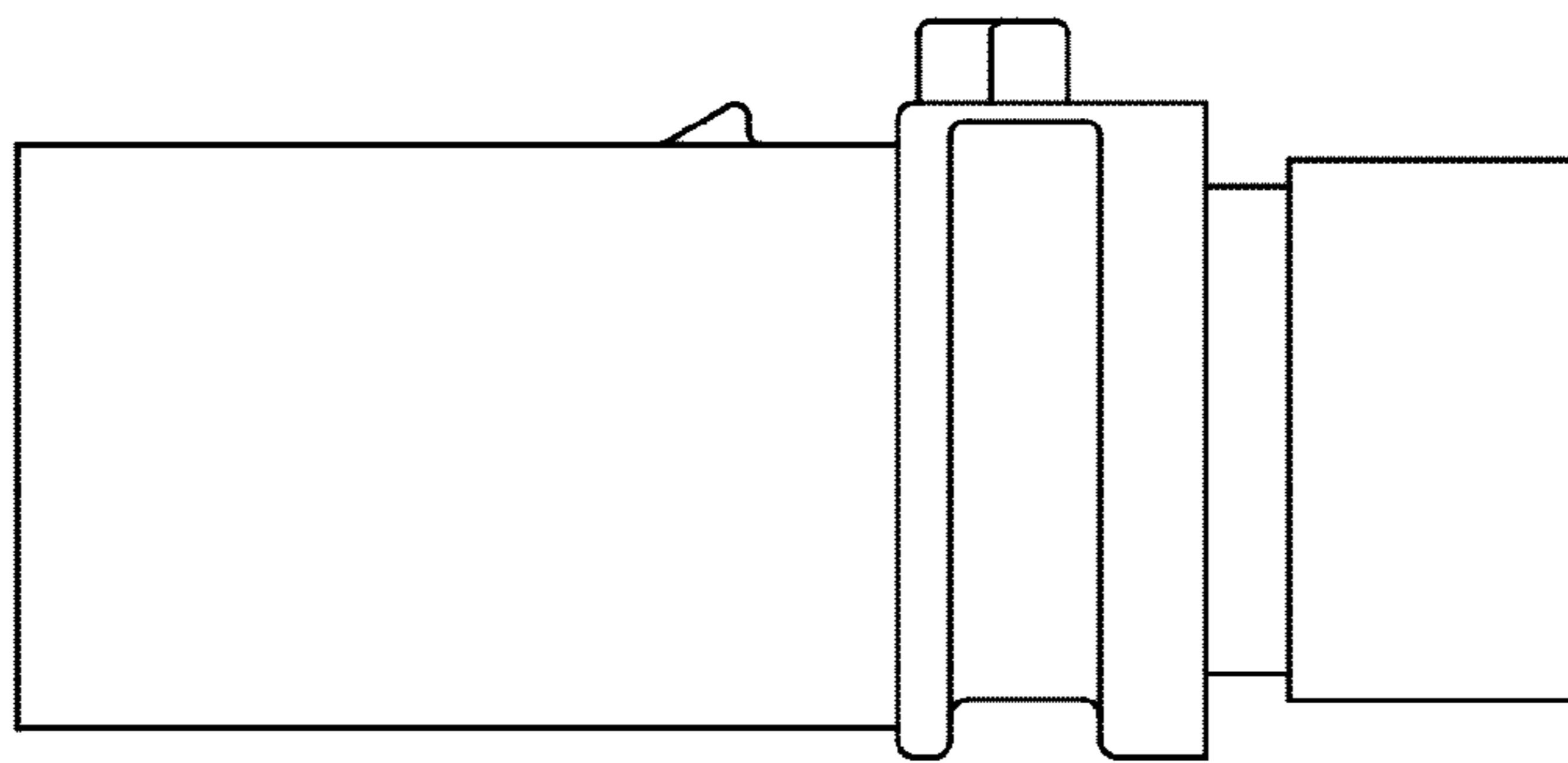


FIG. 4

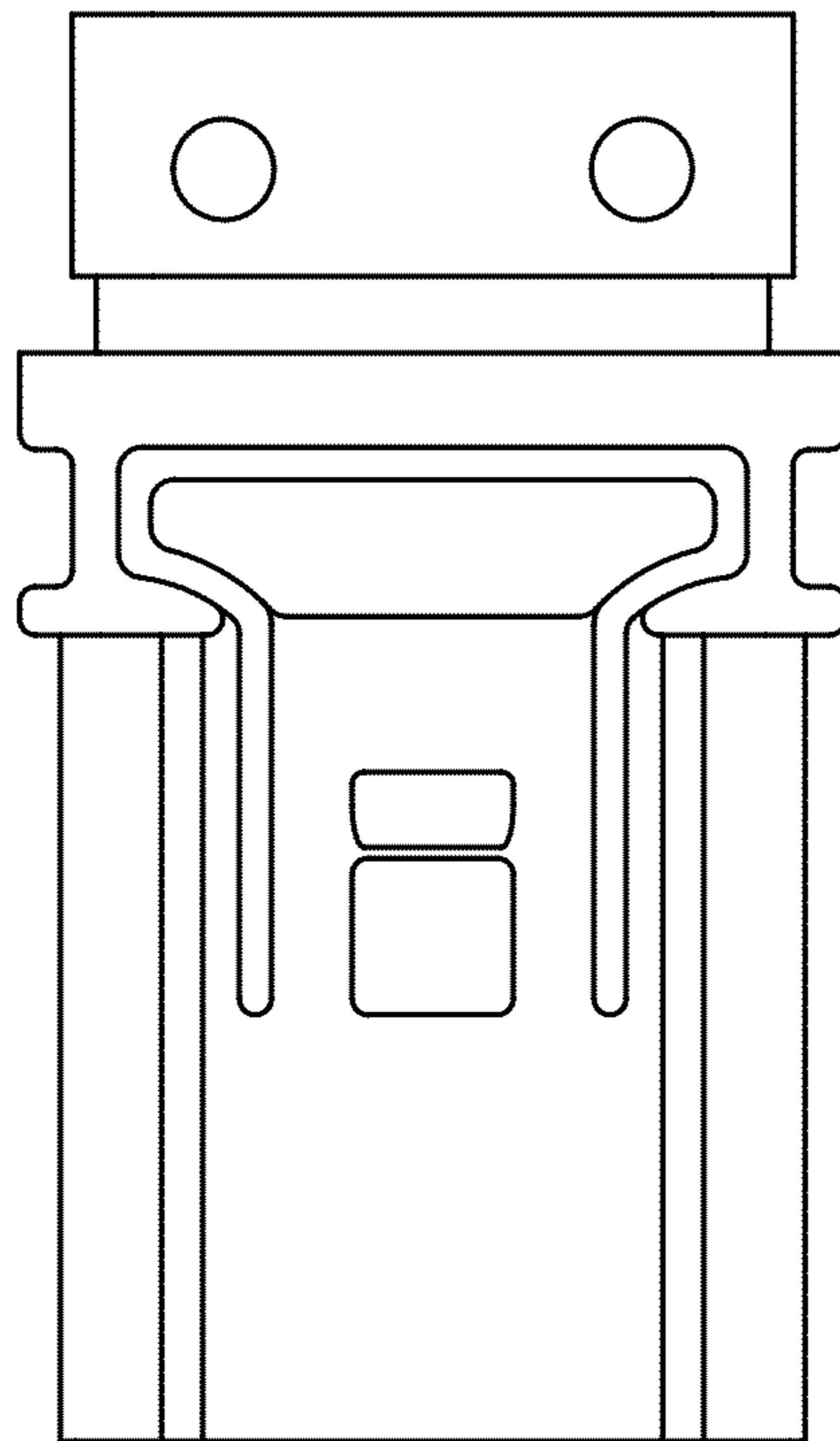


FIG. 5

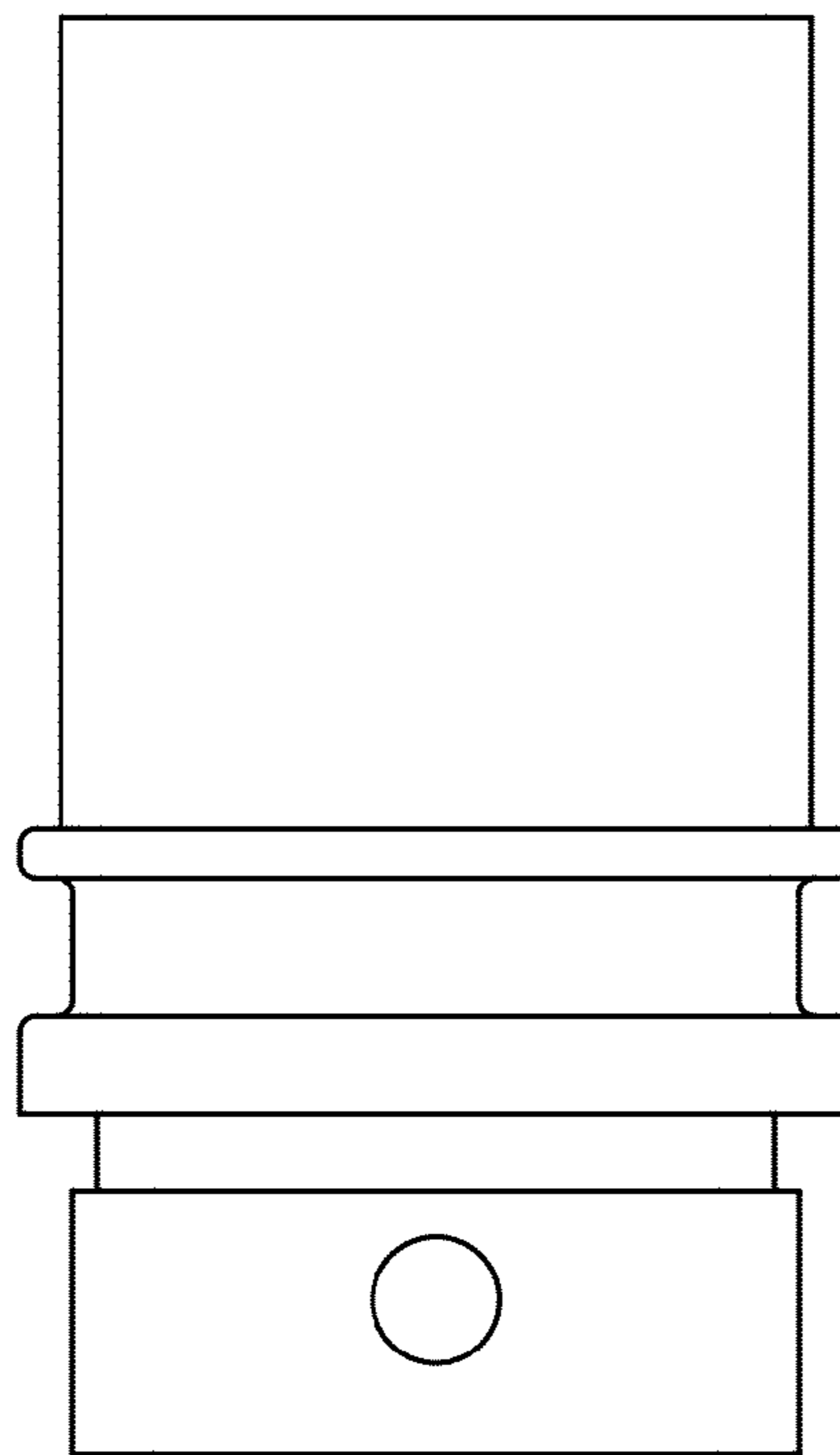


FIG. 6

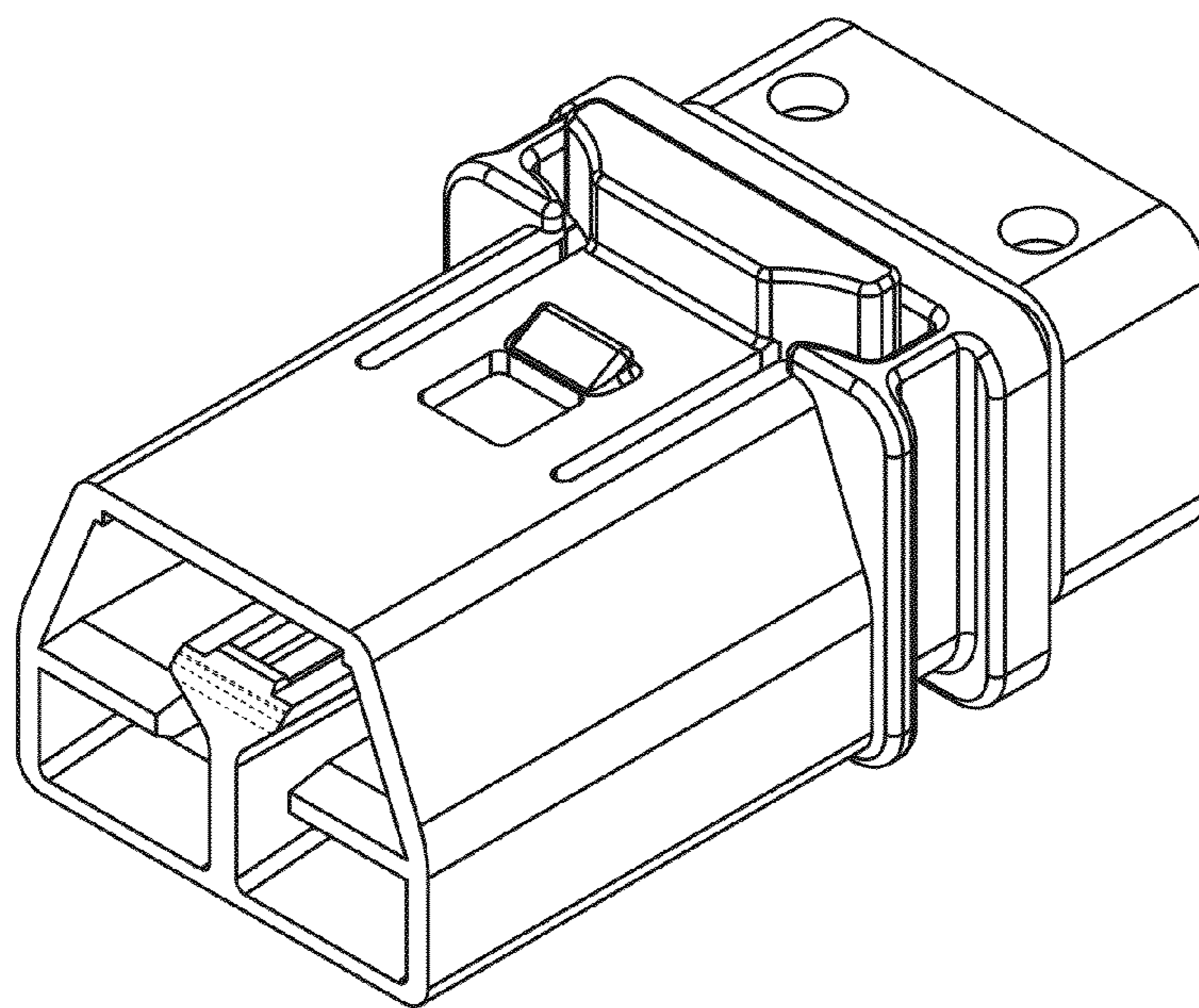


FIG. 7

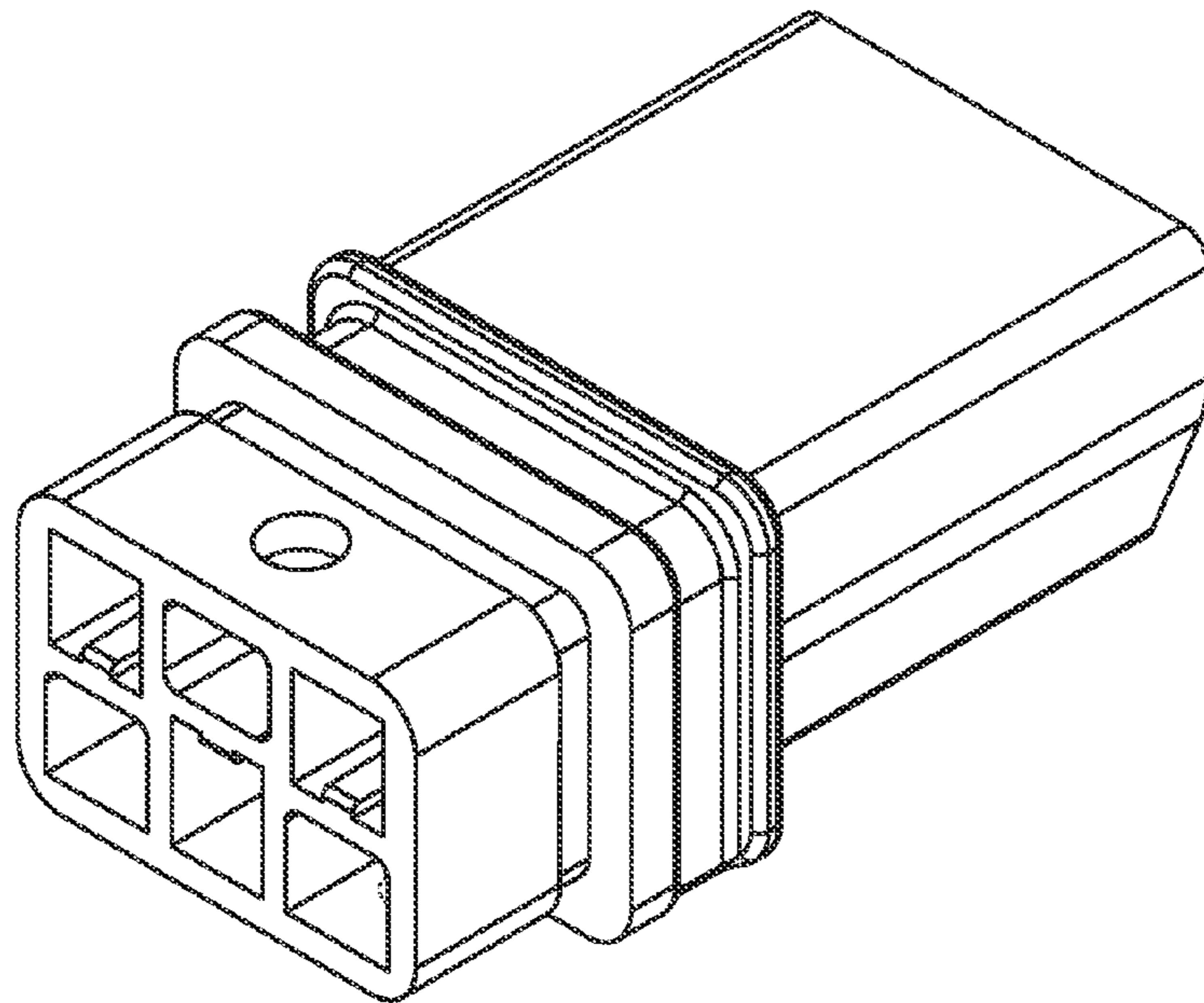


FIG. 8