

US00D716737S

(12) **United States Design Patent**
Cech et al.

(10) **Patent No.:** **US D716,737 S**
(45) **Date of Patent:** **** Nov. 4, 2014**

(54) **CONNECTING MODULE**

(75) Inventors: **Markus Cech**, Ostfildern (DE);
Andreas Veit, Ostfildern (DE); **Markus Winkler**, Ostfildern (DE); **Andreas Bell**, Esslingen (DE); **Klaus Baumgartner**, Esslingen (DE)

(73) Assignee: **Pilz GmbH & Co. KG**, Ostfildern (DE)

(**) Term: **14 Years**

(21) Appl. No.: **29/413,072**

(22) Filed: **Feb. 10, 2012**

(30) **Foreign Application Priority Data**

Aug. 12, 2011 (EM) 1904038-0001-0010

(51) **LOC (10) Cl.** **13-03**

(52) **U.S. Cl.**
USPC **D13/147**

(58) **Field of Classification Search**

USPC D13/123, 133, 146, 174, 154, 158, 160,
D13/162, 171, 184, 199; 439/47, 79, 260,
439/329, 357, 409, 715, 717, 823, 946, 686,
439/689, 601.01-601.09, 607.12,
439/607.16-607.17, 607.28, 607.29,
439/607.35, 620.04, 620.15, 626, 645, 676,
439/709, 701, 712, 716, 866, 445, 402, 324,
439/259, 224, 176, 511, 660, 729, 721,
439/607.01, 541.5, 495; 324/756.01;
248/694

See application file for complete search history.

(56) **References Cited**

U.S. PATENT DOCUMENTS

D313,397 S * 1/1991 Willcox D13/158
5,716,241 A * 2/1998 Hennemann et al. 439/716
6,371,435 B1 * 4/2002 Landis et al. 248/694
6,425,770 B1 * 7/2002 Lostoski et al. 439/76.1

D482,662 S * 11/2003 Foster et al. D13/162
D520,960 S * 5/2006 Nagai et al. D13/158
D563,902 S * 3/2008 Radau et al. D13/162
D563,903 S * 3/2008 Radau et al. D13/162
D566,049 S * 4/2008 Radau et al. D13/162
D567,191 S * 4/2008 Eichinger D13/171
D577,338 S * 9/2008 Yamagami et al. D13/147
D588,552 S * 3/2009 Radau et al. D13/162
D600,213 S * 9/2009 Inoue et al. D13/158
D673,917 S * 1/2013 Dicaire et al. D13/154

(Continued)

OTHER PUBLICATIONS

http://www.pilz.de/solutions/pss4000/the_system/index.en.jsp; Pilz GmbH & Co. KG; The automation system PSS 4000; at least as early as Aug. 12, 2011; 5 pages.

(Continued)

Primary Examiner — Thomas Johannes

Assistant Examiner — Khawaja Anwar

(74) *Attorney, Agent, or Firm* — Harness, Dickey & Pierce, P.L.C.

(57) **CLAIM**

The ornamental design for a connecting module, as shown and described.

DESCRIPTION

FIG. 1 is a perspective view of a connecting module showing our new design;

FIG. 2 is a front view thereof;

FIG. 3 is a rear view thereof;

FIG. 4 is a left side view thereof;

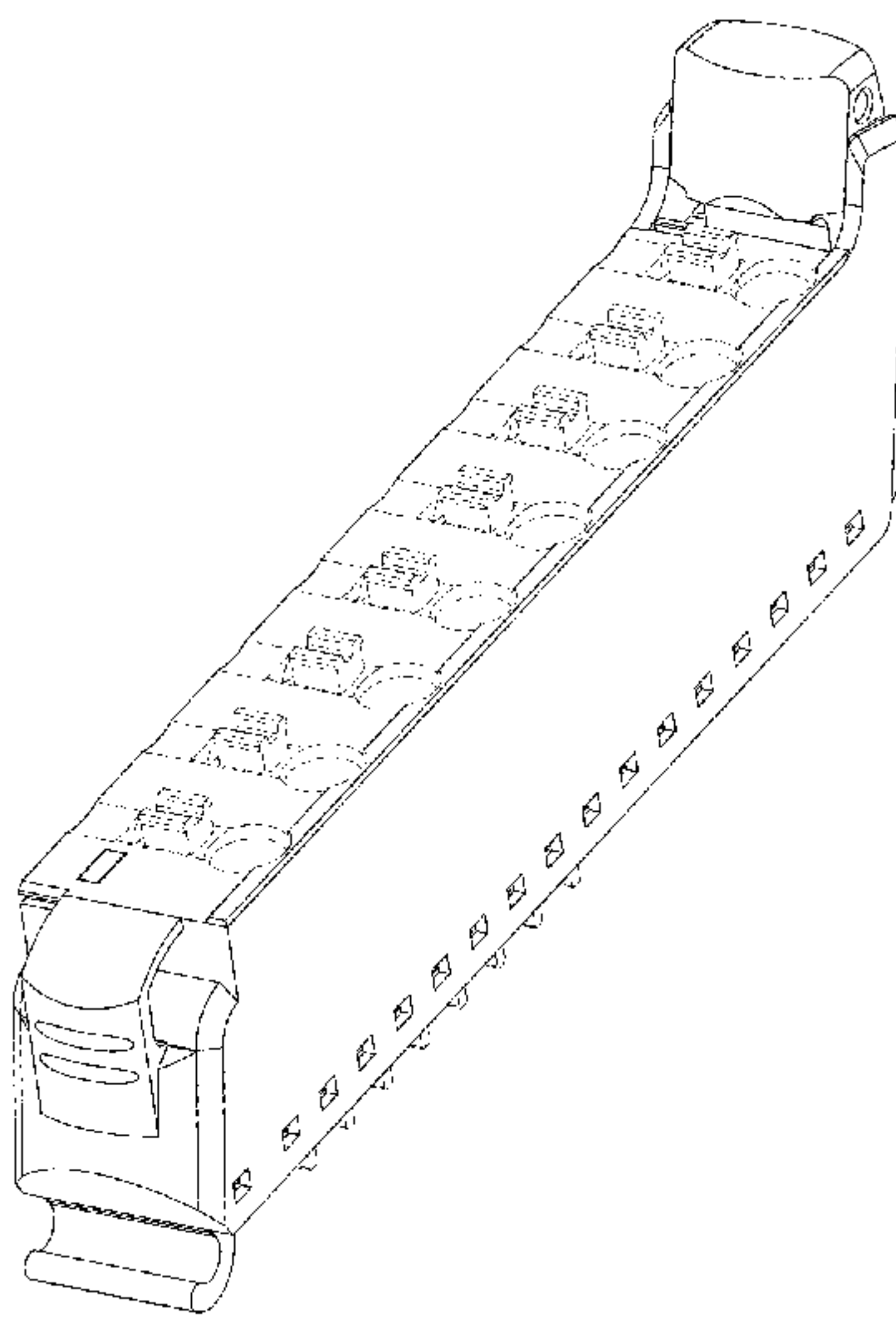
FIG. 5 is a right side view thereof;

FIG. 6 is a top view thereof; and,

FIG. 7 is a bottom view thereof.

The broken line portion of the figure drawings is included to show unclaimed subject matter only and forms no part of the claimed design.

1 Claim, 7 Drawing Sheets



(56)

References Cited

U.S. PATENT DOCUMENTS

D675,577 S * 2/2013 Dicaire et al. D13/154
D685,331 S * 7/2013 Correll et al. D13/147
2010/0144204 A1* 6/2010 Knaub et al. 439/607.07

OTHER PUBLICATIONS

http://www.phoenixcontact.com/online/portal/us/pxc/content_

pages/tut/p/b1/vZTbsql4Flaf.; Phoenix Contact; I/O systems; at

least as early as Aug. 12, 2011; 3 pages.

* cited by examiner

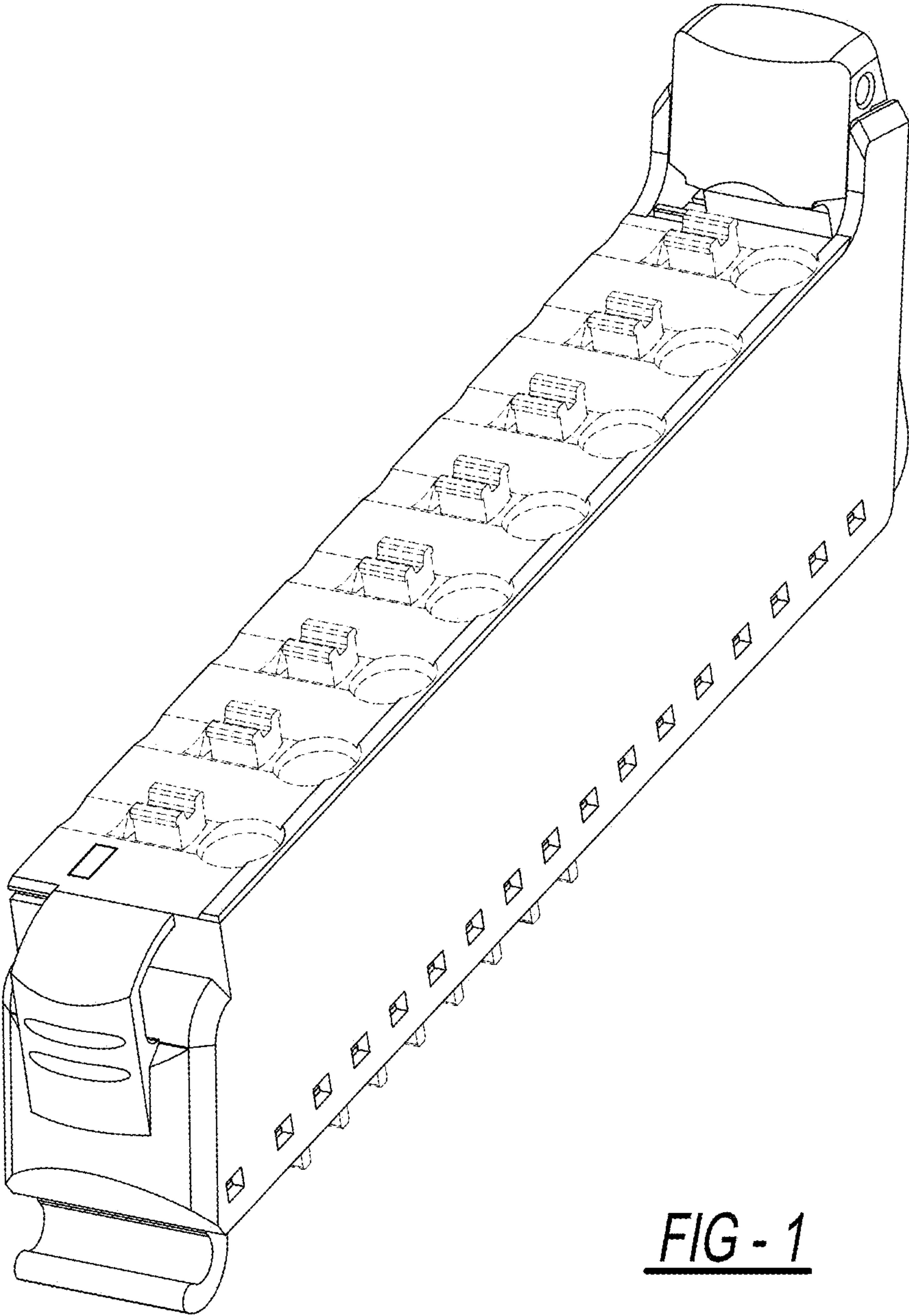


FIG - 1

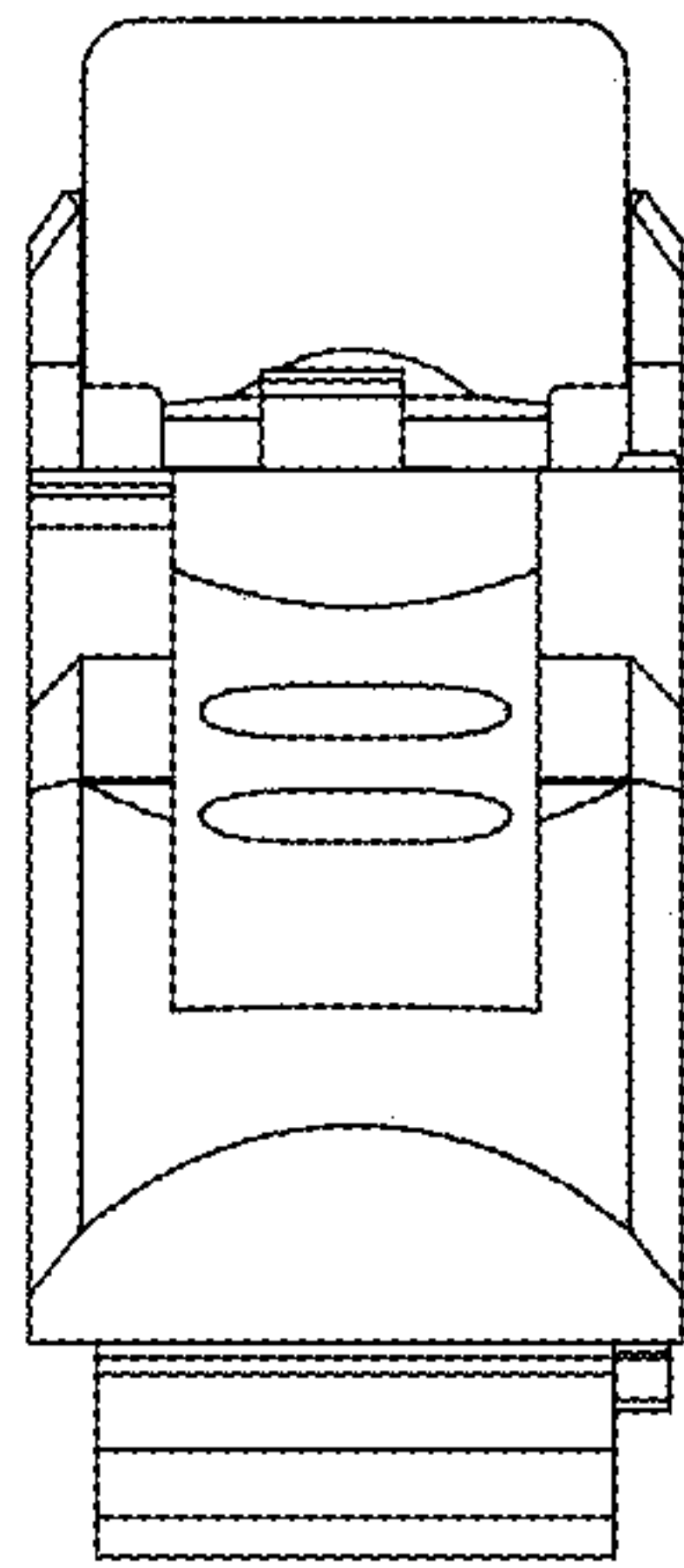


FIG - 2

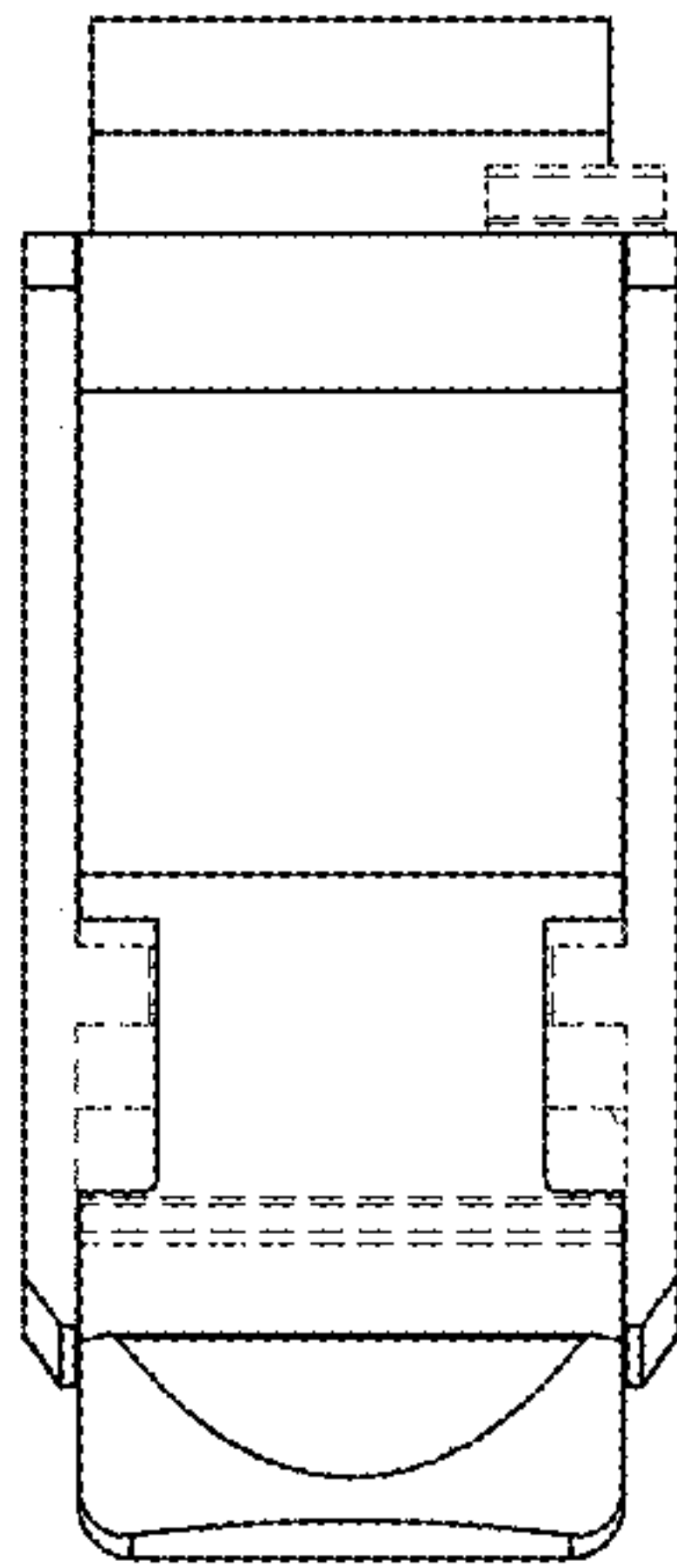


FIG - 3

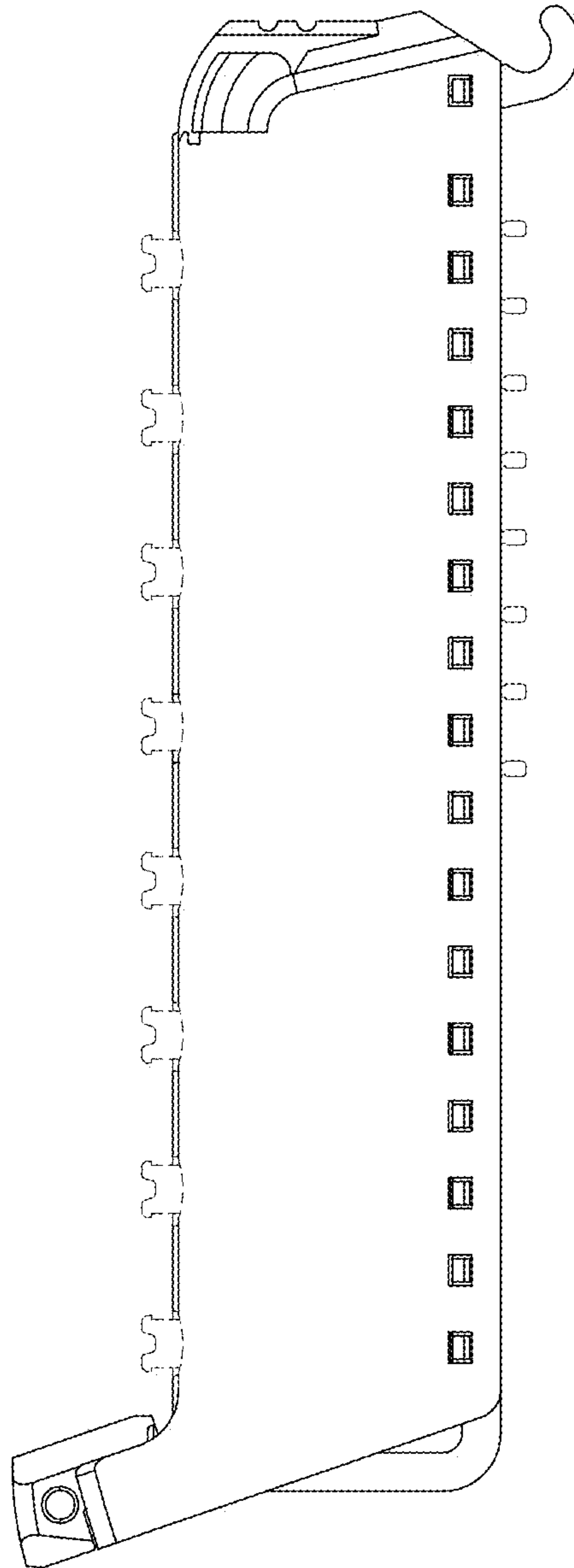


FIG - 4

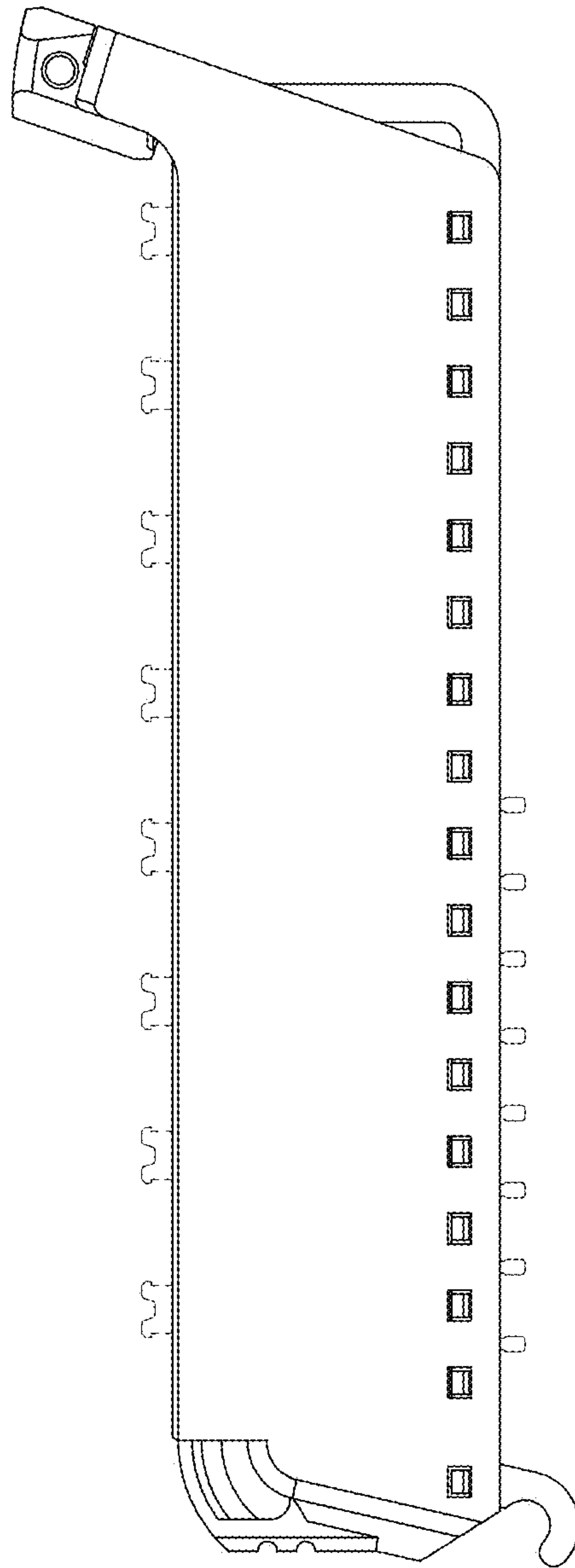


FIG - 5

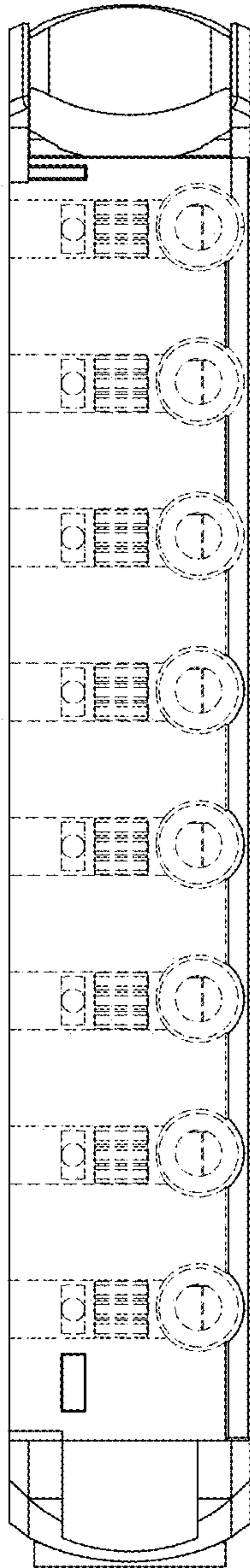


FIG - 6

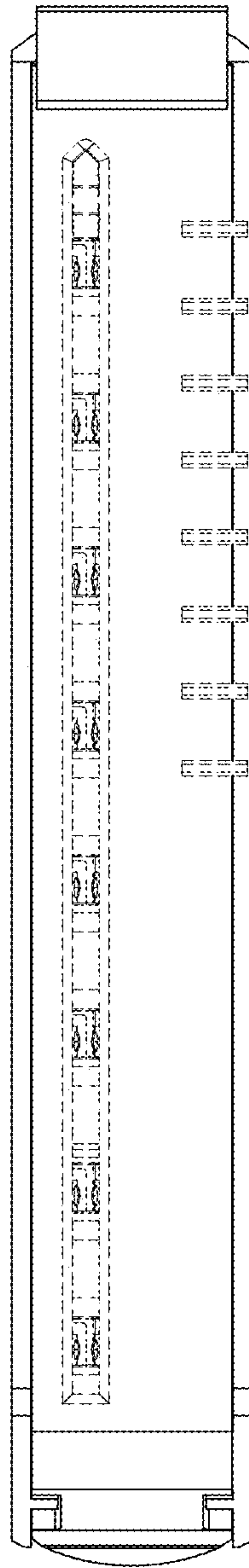


FIG - 7