



US00D716735S

(12) **United States Design Patent**  
**Byrne et al.**

(10) **Patent No.:** **US D716,735 S**  
(45) **Date of Patent:** **\*\* Nov. 4, 2014**

(54) **ELECTRICAL PLUG**

(71) Applicants: **Norman R. Byrne**, Ada, MI (US);  
**Daniel P. Byrne**, Lowell, MI (US);  
**William F. Schacht**, Grand Rapids, MI  
(US); **Chad Zimmerman**, Hastings, MI  
(US)

(72) Inventors: **Norman R. Byrne**, Ada, MI (US);  
**Daniel P. Byrne**, Lowell, MI (US);  
**William F. Schacht**, Grand Rapids, MI  
(US); **Chad Zimmerman**, Hastings, MI  
(US)

(\*\*) Term: **14 Years**

(21) Appl. No.: **29/471,895**

(22) Filed: **Nov. 6, 2013**

**Related U.S. Application Data**

(62) Division of application No. 29/436,588, filed on Nov. 7, 2012.

(51) **LOC (10) Cl.** ..... **13-03**

(52) **U.S. Cl.**  
USPC ..... **D13/138.2**

(58) **Field of Classification Search**  
USPC ..... D13/152, 137.1, 139.6, 139.5, 139.8,  
D13/162, 156, 171, 158, 170, 177, 138.2,  
D13/138.1, 139.2, 137.3, 139.1, 139.4;  
174/66, 37-38; 200/5 R, 5 A, 1 B;  
338/201, 202; 361/641, 622, 602, 627,  
361/644, 660, 679.05, 118; 439/620.2  
See application file for complete search history.

(56) **References Cited**

**U.S. PATENT DOCUMENTS**

D400,172 S \* 10/1998 Aromin ..... D13/138.1  
D610,993 S \* 3/2010 Fahrendorff et al. .... D13/138.1

D610,994 S \* 3/2010 Fahrendorff et al. .... D13/138.1  
D623,136 S \* 9/2010 Andre et al. .... D13/138.1  
D627,728 S \* 11/2010 Smith et al. .... D13/138.1  
D651,975 S \* 1/2012 Smith et al. .... D13/138.1  
D661,651 S 6/2012 Smith et al.  
D663,688 S \* 7/2012 Liu et al. .... D13/108  
D664,093 S \* 7/2012 Andre et al. .... D13/138.1  
D680,070 S 4/2013 Zaslavsky  
D681,551 S 5/2013 Zaslavsky  
D683,314 S \* 5/2013 Andre et al. .... D13/138.1

**OTHER PUBLICATIONS**

Co-pending parent application as filed, Design U.S. Appl. No. 29/436,588, filed Nov. 7, 2012.

\* cited by examiner

*Primary Examiner* — Ian Simmons

*Assistant Examiner* — Rhea Shields

(74) *Attorney, Agent, or Firm* — Gardner, Linn, Burkhardt & Flory LLP

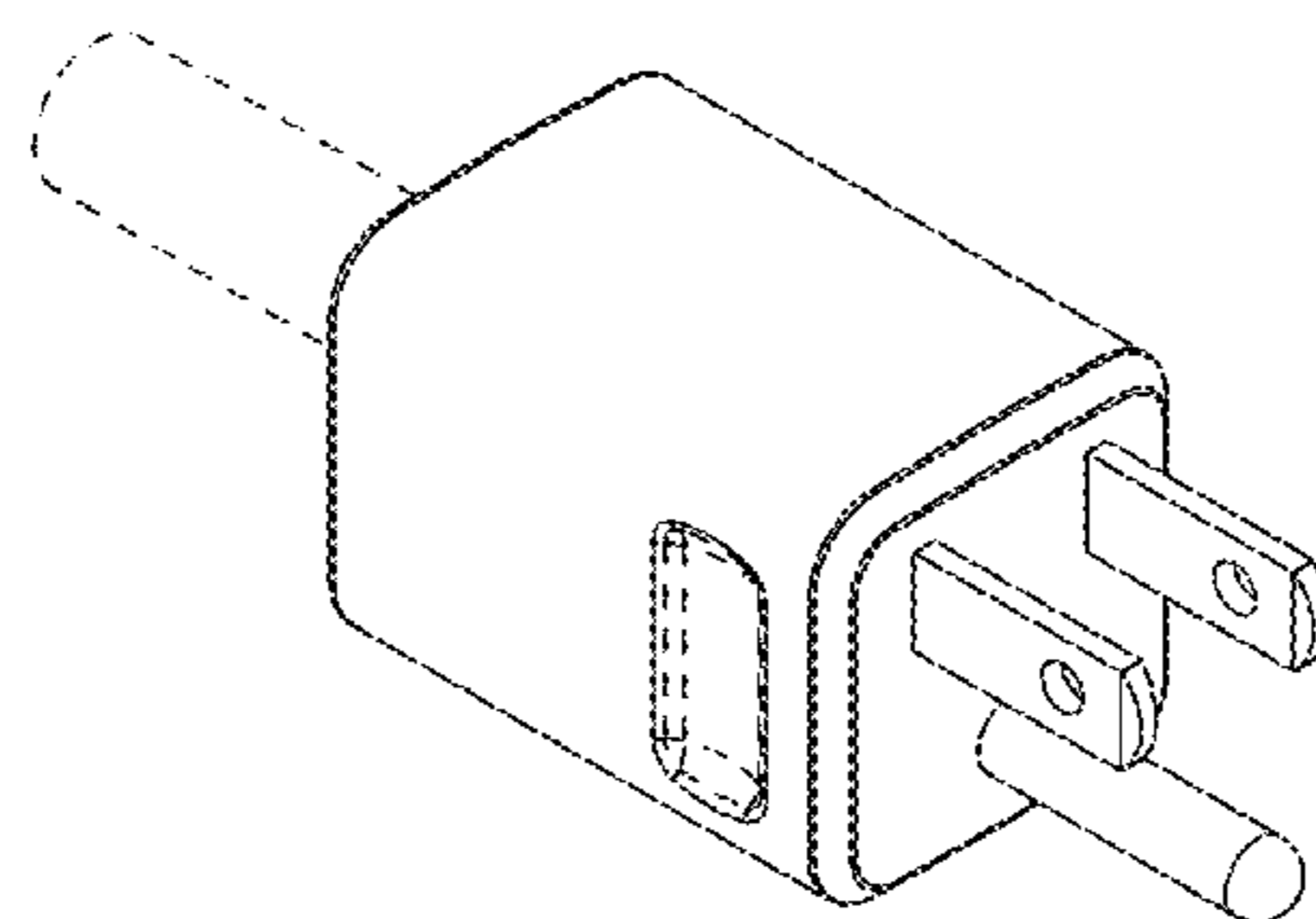
(57) **CLAIM**

The ornamental design for an electrical plug, as shown and described.

**DESCRIPTION**

FIG. 1 is a front perspective view of an electrical plug showing our new design;  
FIG. 2 is a rear perspective view of the electrical plug of FIG. 1;  
FIG. 3 is a front elevation of the electrical plug of FIG. 1;  
FIG. 4 is a bottom plan view of the electrical plug of FIG. 1;  
FIG. 5 is a rear elevation of the electrical plug of FIG. 1;  
FIG. 6 is a top plan view of the electrical plug of FIG. 1;  
FIG. 7 is a right side elevation of the electrical plug of FIG. 1; and,  
FIG. 8 is a left side elevation of the electrical plug of FIG. 1.  
In the drawings, the broken lines depict unclaimed subject matter only and form no part of the claimed design.

**1 Claim, 4 Drawing Sheets**



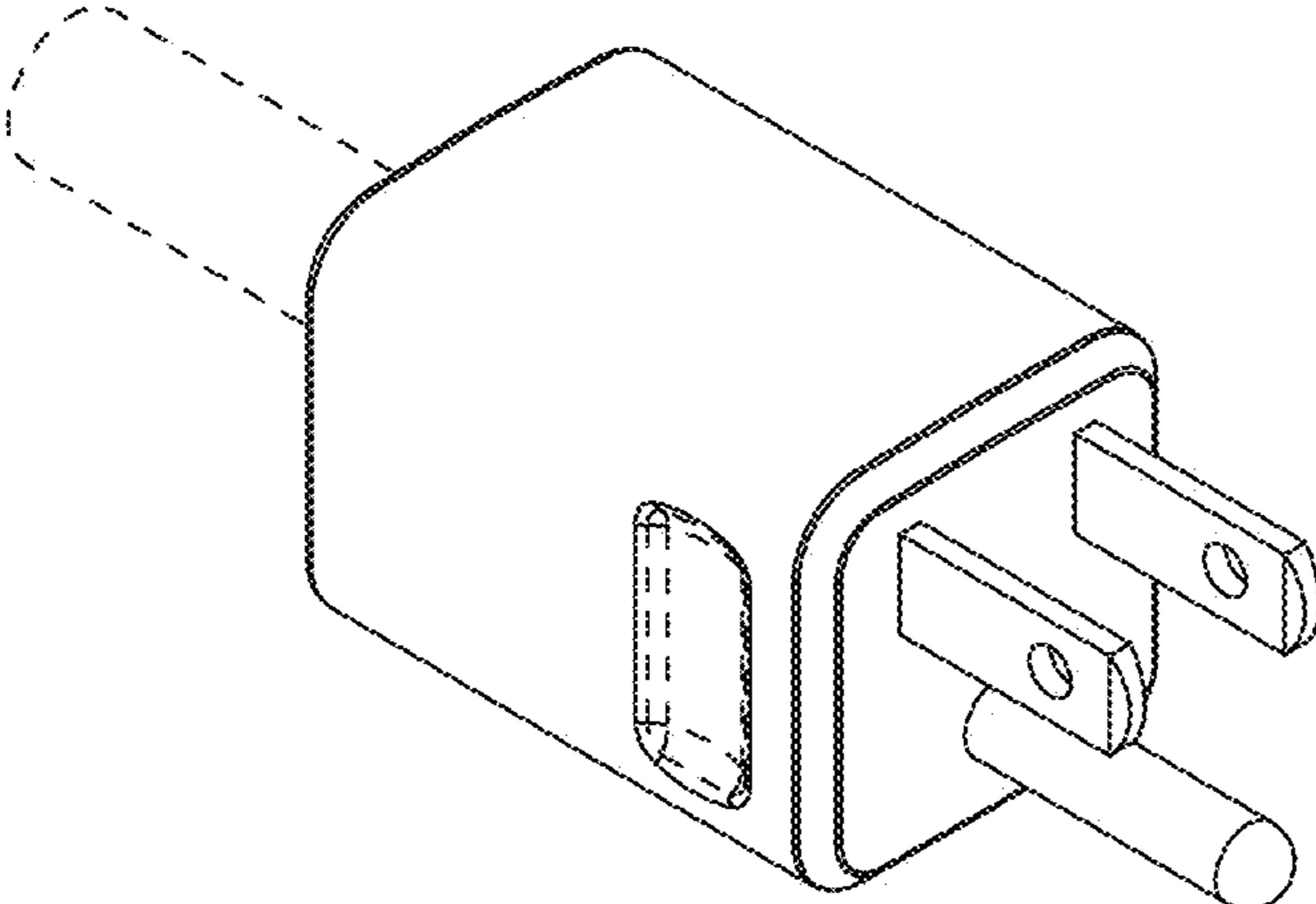


Fig. 1

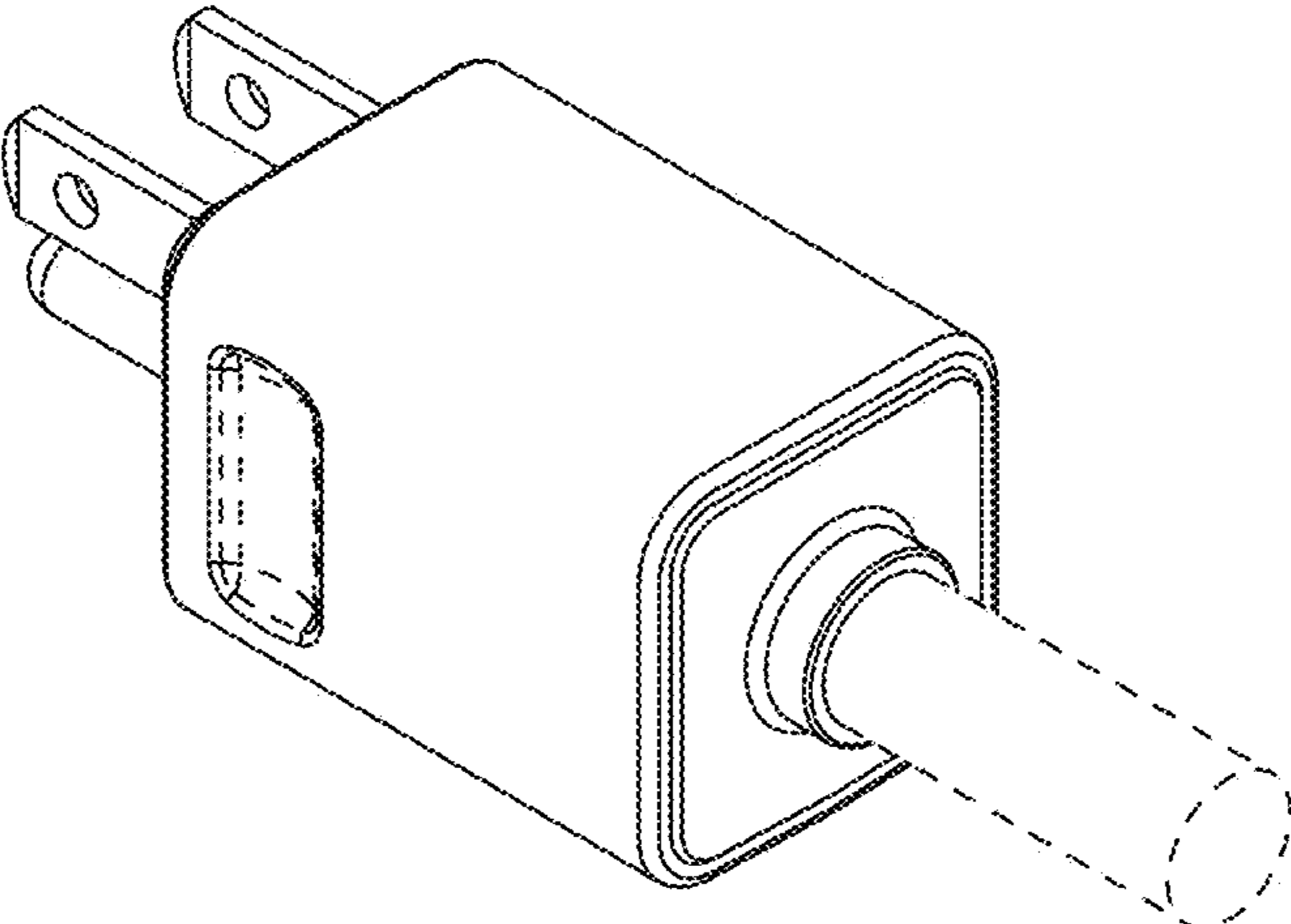


Fig. 2

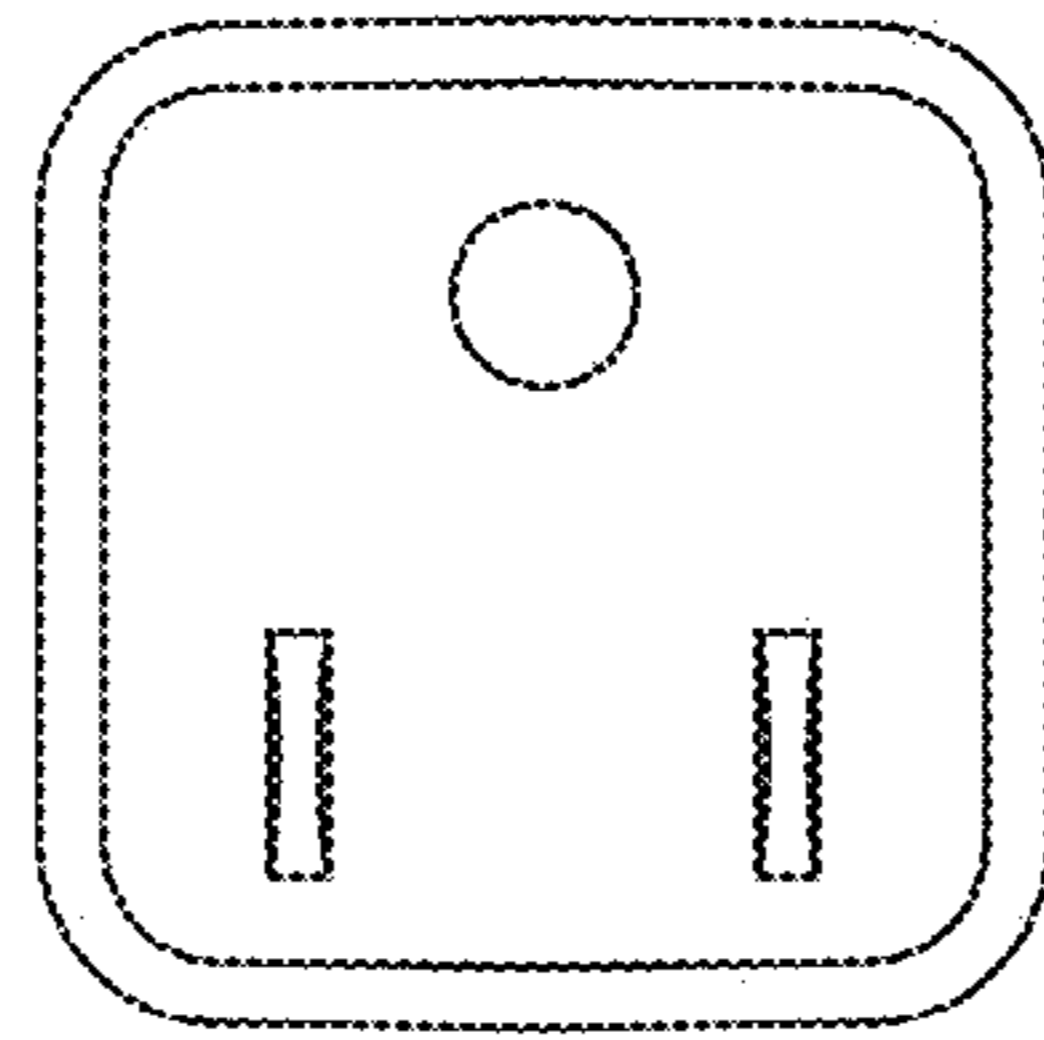


Fig. 3

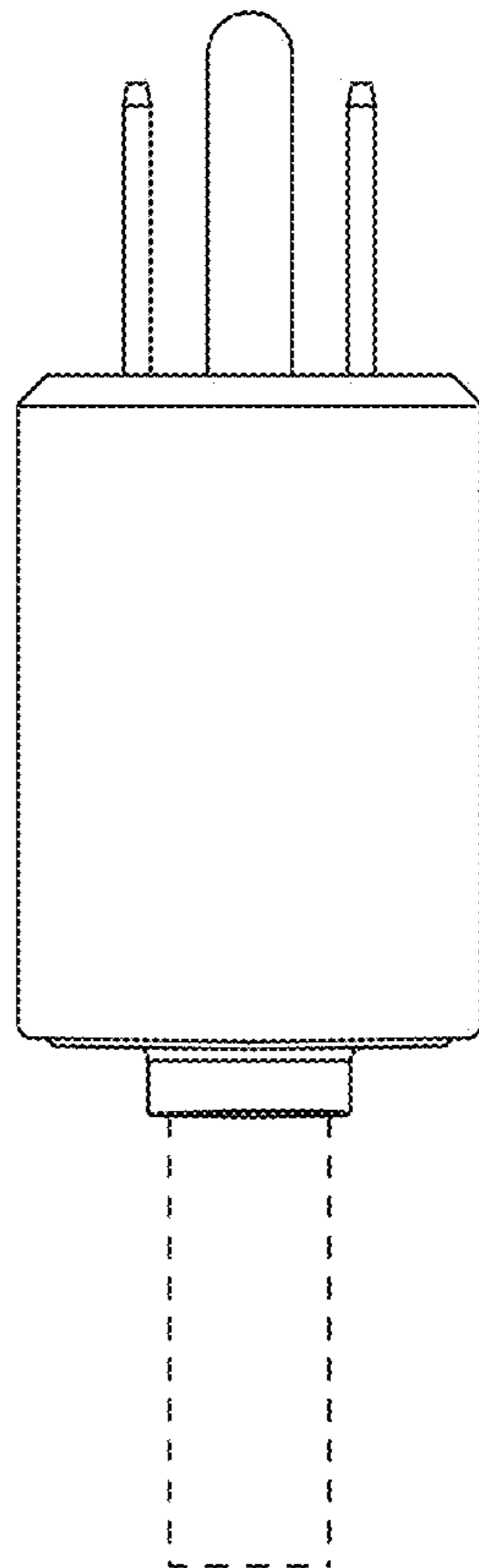


Fig. 4

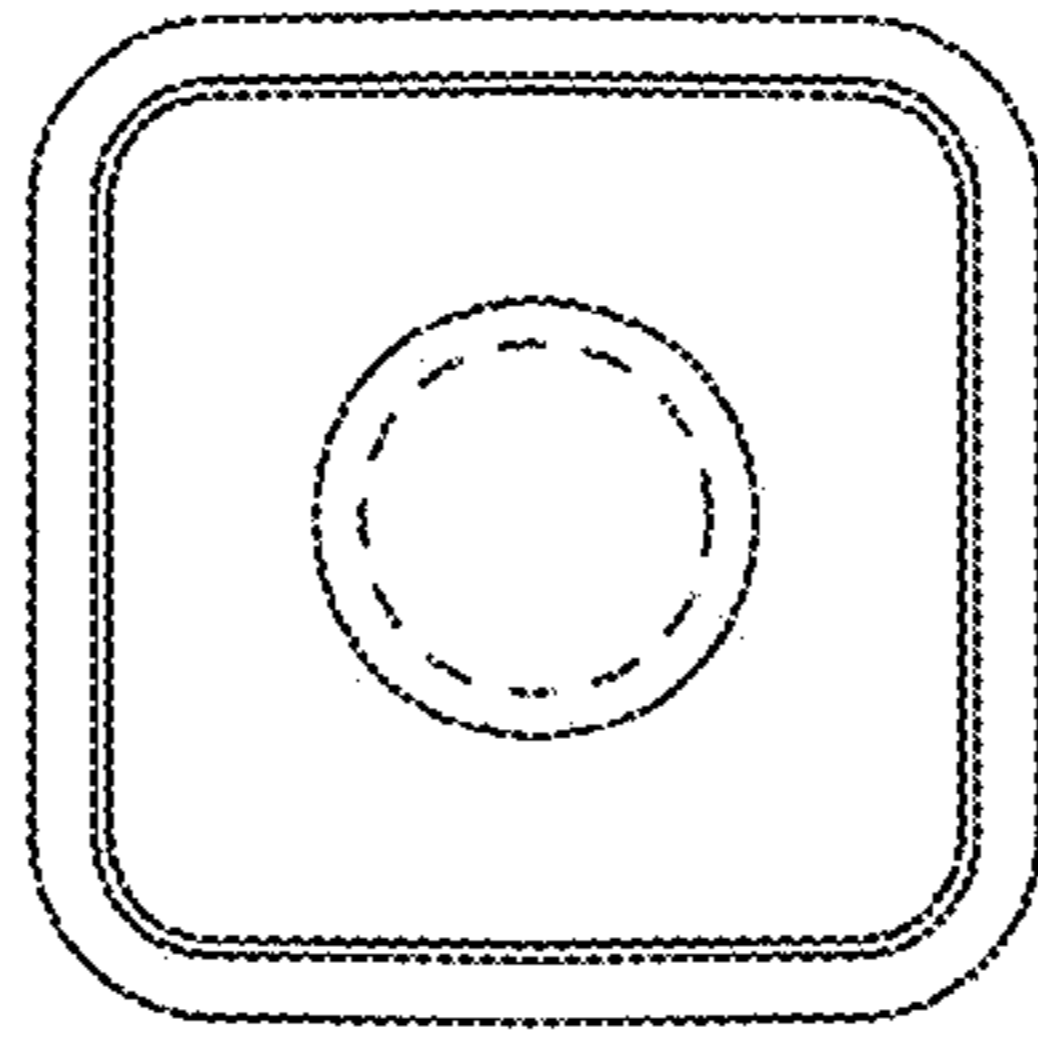


Fig. 5

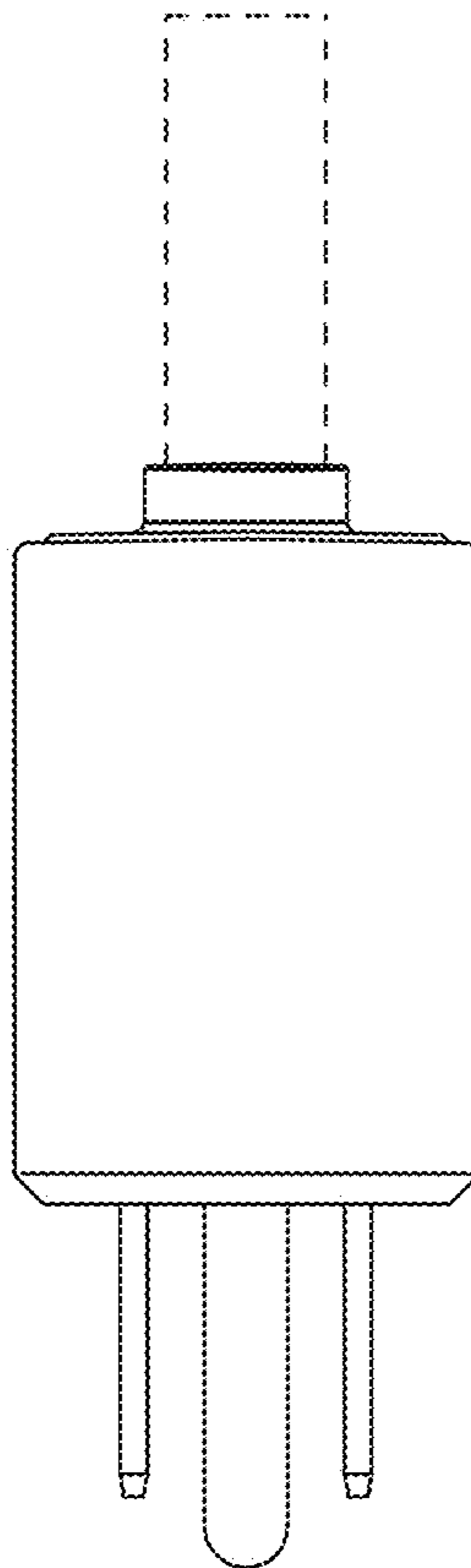


Fig. 6

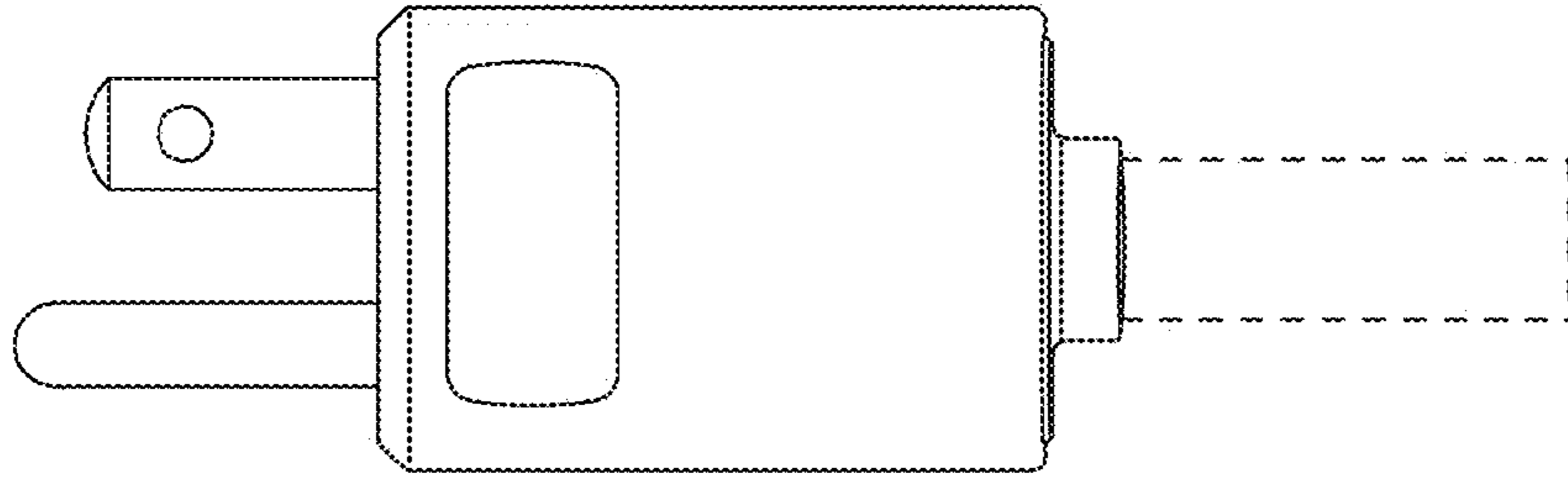


Fig. 7

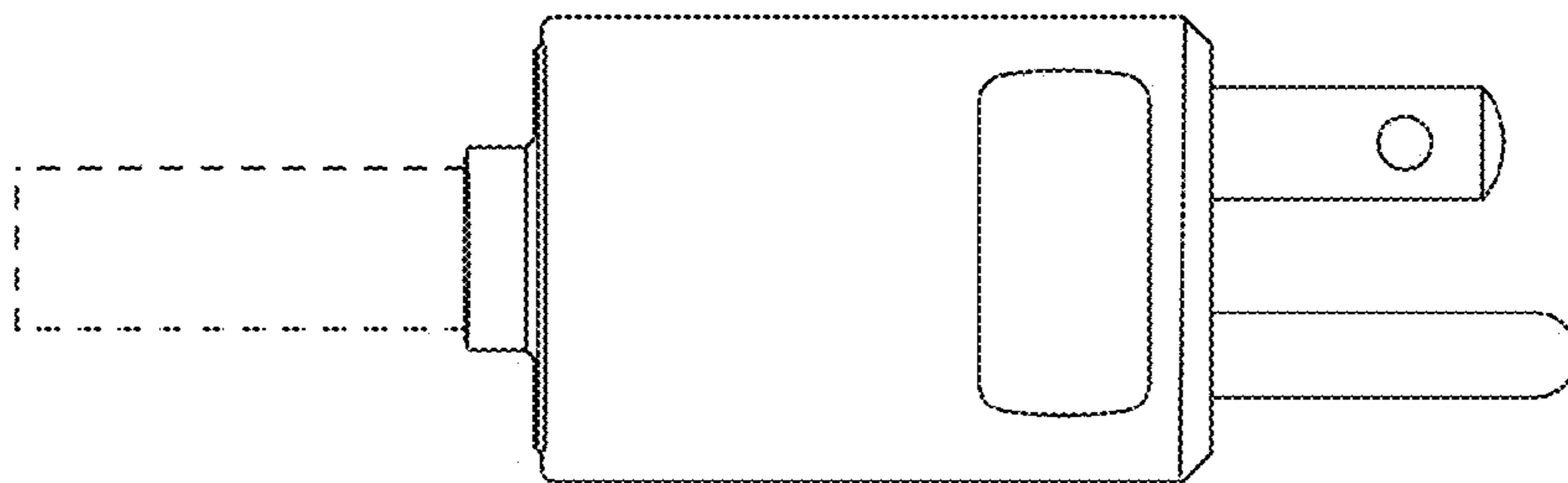


Fig. 8