



US00D716734S

(12) **United States Design Patent**
Byrne et al.

(10) **Patent No.:** **US D716,734 S**
(45) **Date of Patent:** **** Nov. 4, 2014**

(54) **ELECTRICAL PLUG**

(71) Applicants: **Norman R. Byrne**, Ada, MI (US);
Daniel P. Byrne, Lowell, MI (US);
William F. Schacht, Grand Rapids, MI
(US); **Chad Zimmerman**, Hastings, MI
(US)

(72) Inventors: **Norman R. Byrne**, Ada, MI (US);
Daniel P. Byrne, Lowell, MI (US);
William F. Schacht, Grand Rapids, MI
(US); **Chad Zimmerman**, Hastings, MI
(US)

(**) Term: **14 Years**

(21) Appl. No.: **29/471,893**

(22) Filed: **Nov. 6, 2013**

Related U.S. Application Data

(62) Division of application No. 29/436,588, filed on Nov. 7, 2012.

(51) **LOC (10) Cl.** **13-03**

(52) **U.S. Cl.**
USPC **D13/138.2**

(58) **Field of Classification Search**
USPC D13/152, 137.1, 139.6, 139.5, 139.8,
D13/162, 156, 171, 158, 170, 177, 138.2,
D13/138.1, 139.2, 137.3, 139.1, 139.4;
174/66, 37-38; 200/5 R, 5 A, 1 B;
338/201, 202; 361/641, 622, 602, 627,
361/644, 660, 679.05, 118; 439/620.2

See application file for complete search history.

(56) **References Cited**

U.S. PATENT DOCUMENTS

D400,172 S * 10/1998 Aromin D13/138.1
D610,993 S * 3/2010 Fahrendorff et al. D13/138.1

D610,994 S * 3/2010 Fahrendorff et al. D13/138.1
D623,136 S * 9/2010 Andre et al. D13/138.1
D627,728 S * 11/2010 Smith et al. D13/138.1
D651,975 S * 1/2012 Smith et al. D13/138.1
D661,651 S 6/2012 Smith et al.
D663,688 S * 7/2012 Liu et al. D13/108
D664,093 S * 7/2012 Andre et al. D13/138.1
D680,070 S 4/2013 Zaslavsky
D681,551 S 5/2013 Zaslavsky
D683,314 S * 5/2013 Andre et al. D13/138.1

OTHER PUBLICATIONS

Co-pending parent Design U.S. Appl. No. 29/436,588, filed Nov. 7, 2012.

* cited by examiner

Primary Examiner — Ian Simmons

Assistant Examiner — Rhea Shields

(74) *Attorney, Agent, or Firm* — Gardner, Linn, Burkhart & Flory LLP

(57) **CLAIM**

The ornamental design for an electrical plug, as shown and described.

DESCRIPTION

FIG. 1 is a front perspective view of an electrical plug showing our new design;

FIG. 2 is a rear perspective view of the electrical plug of FIG. 1;

FIG. 3 is a front elevation of the electrical plug of FIG. 1;

FIG. 4 is a bottom plan view of the electrical plug of FIG. 1;

FIG. 5 is a rear elevation of the electrical plug of FIG. 1;

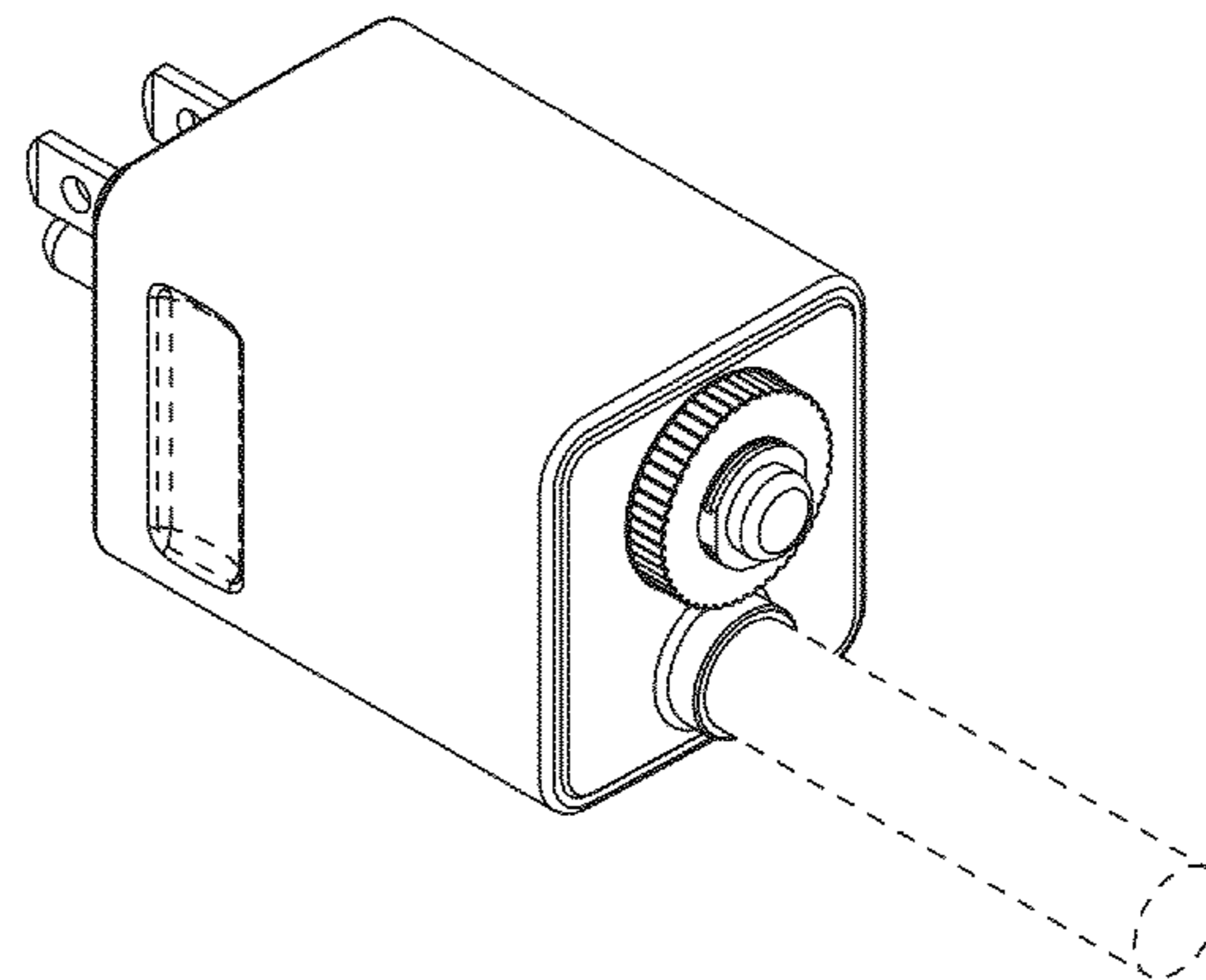
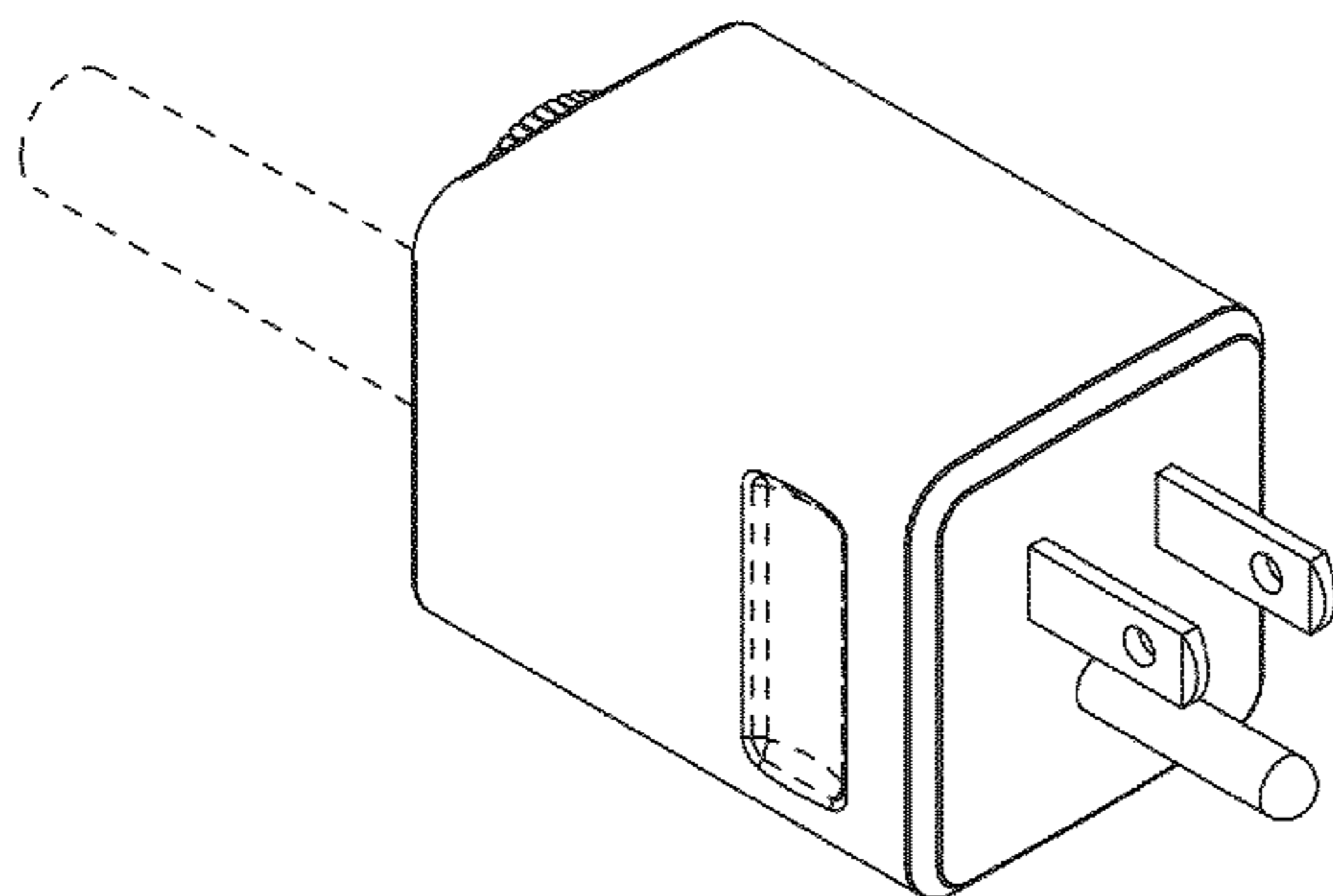
FIG. 6 is a top plan view of the electrical plug of FIG. 1;

FIG. 7 is a left side elevation of the electrical plug of FIG. 1; and,

FIG. 8 is a right side elevation of the electrical plug of FIG. 1.

In the drawings, the broken lines depict unclaimed subject matter only and form no part of the claimed design.

1 Claim, 4 Drawing Sheets



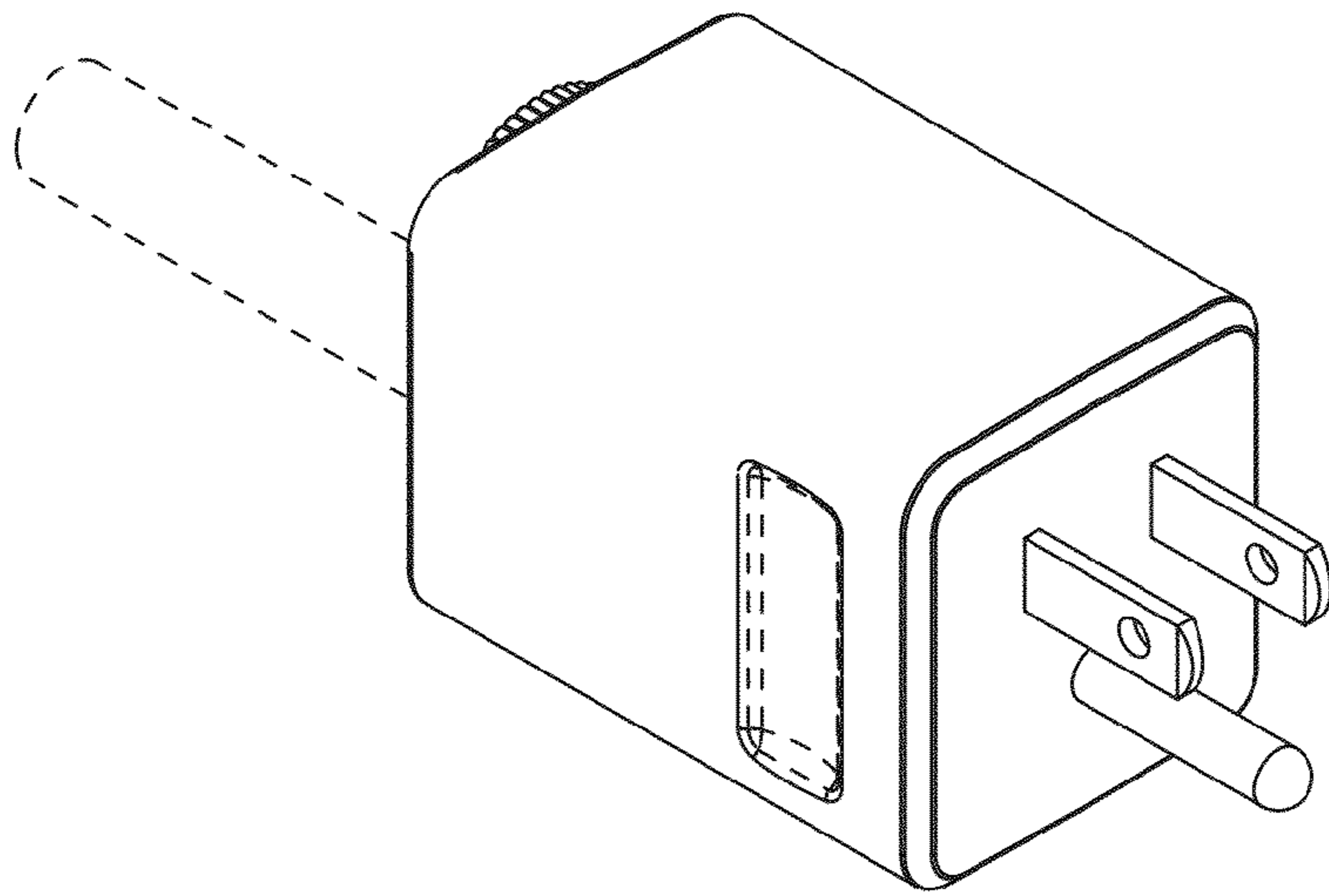


Fig. 1

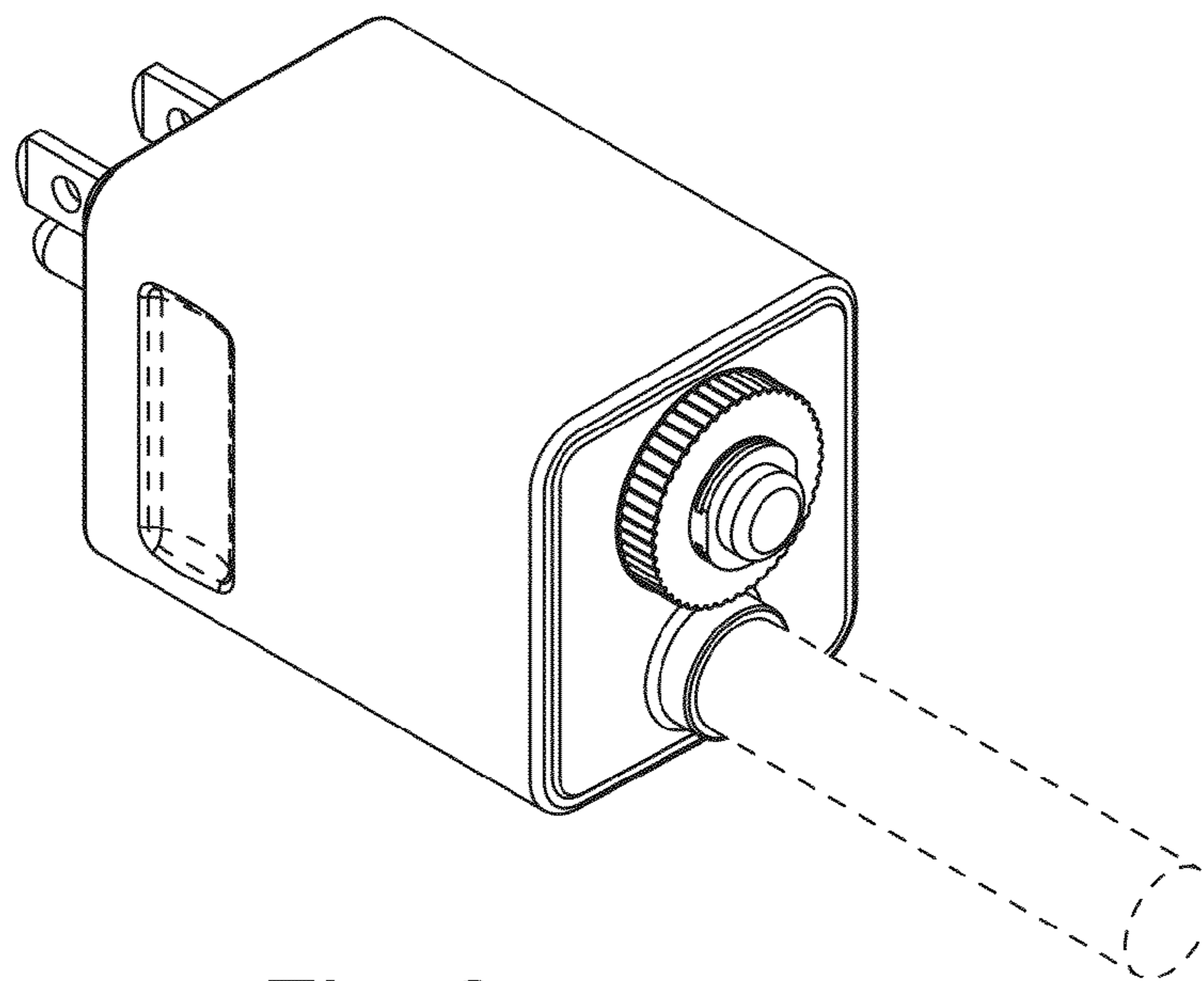


Fig. 2

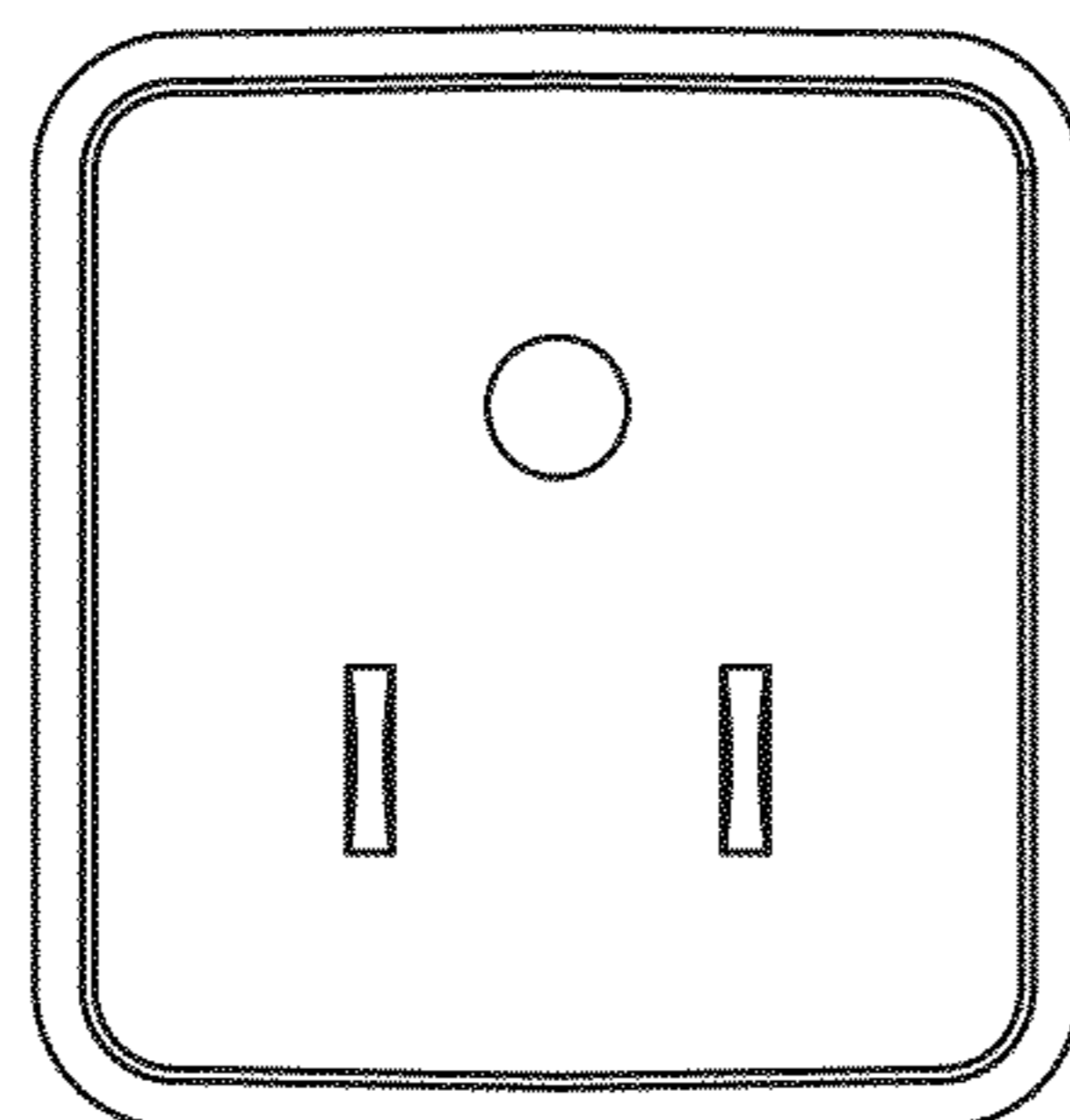


Fig. 3

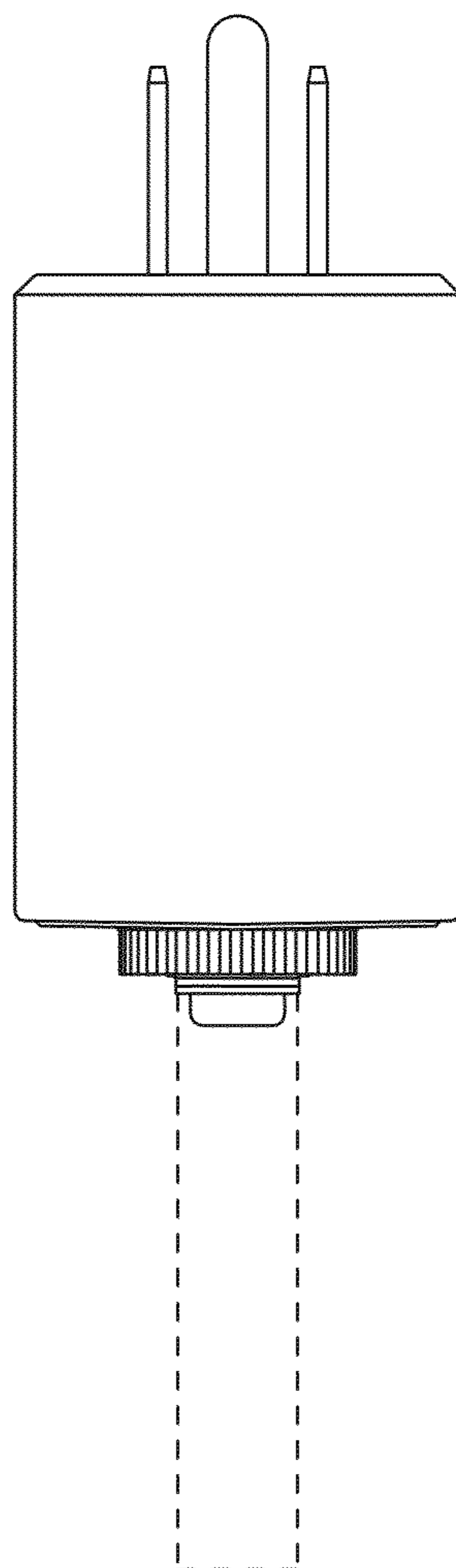


Fig. 4

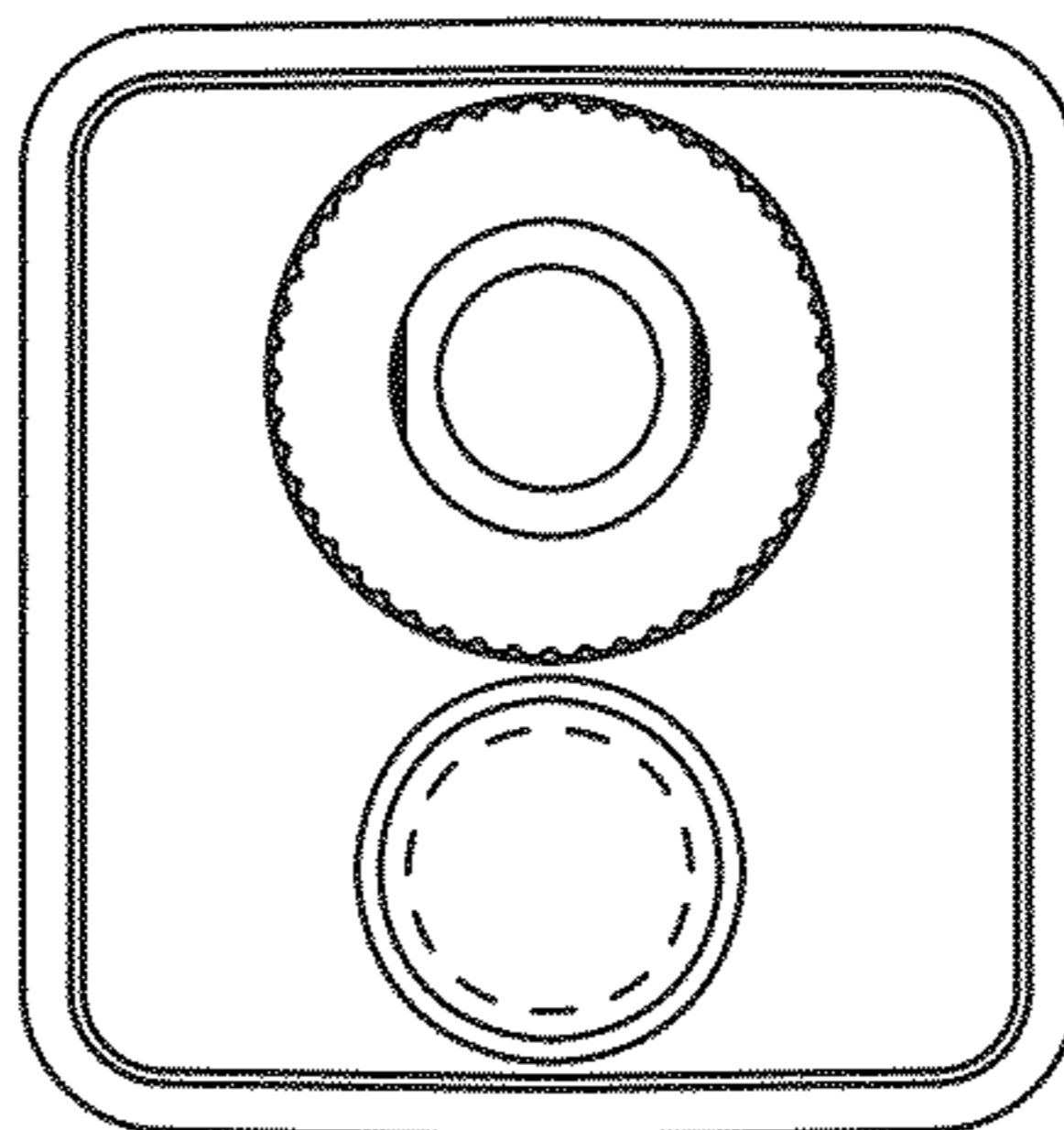


Fig. 5

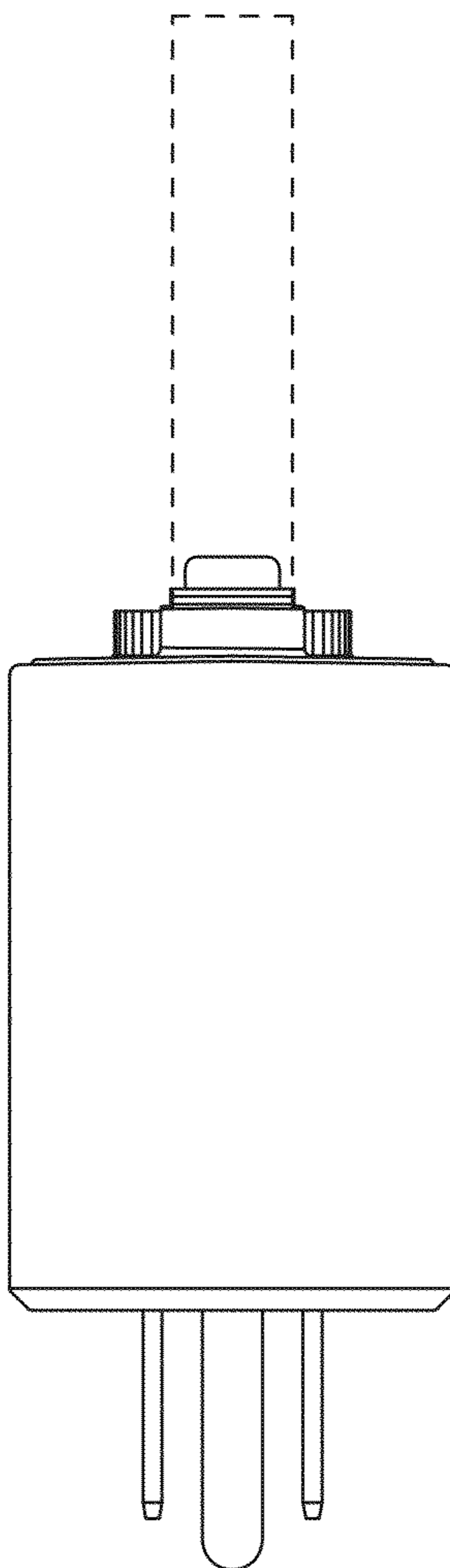


Fig. 6

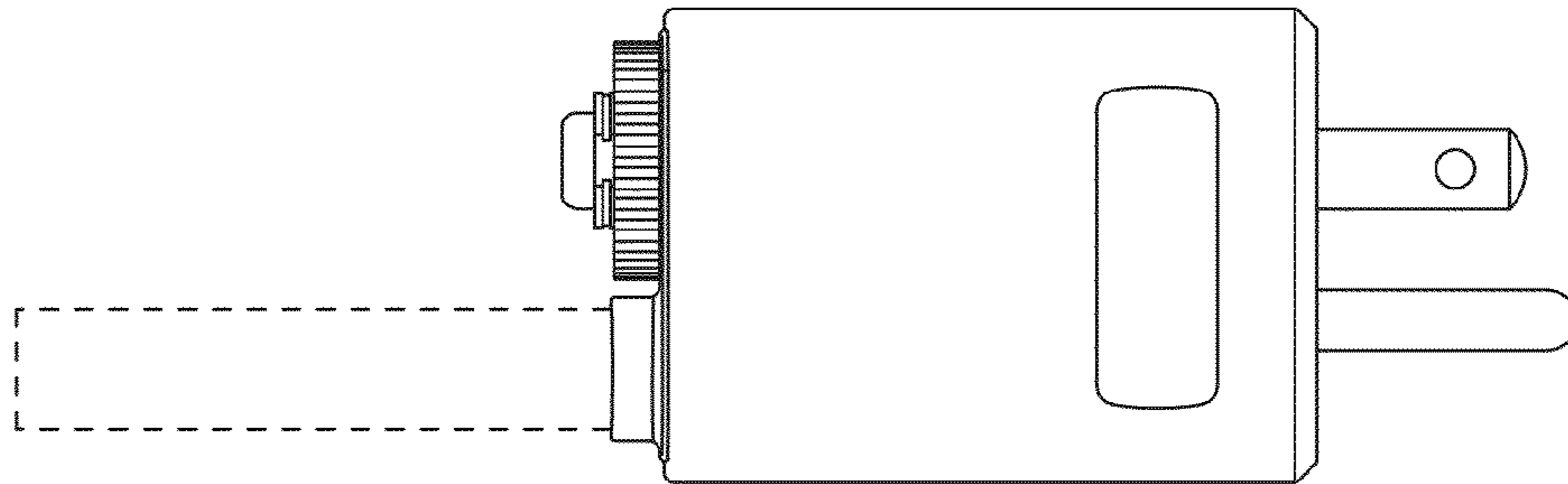


Fig. 7

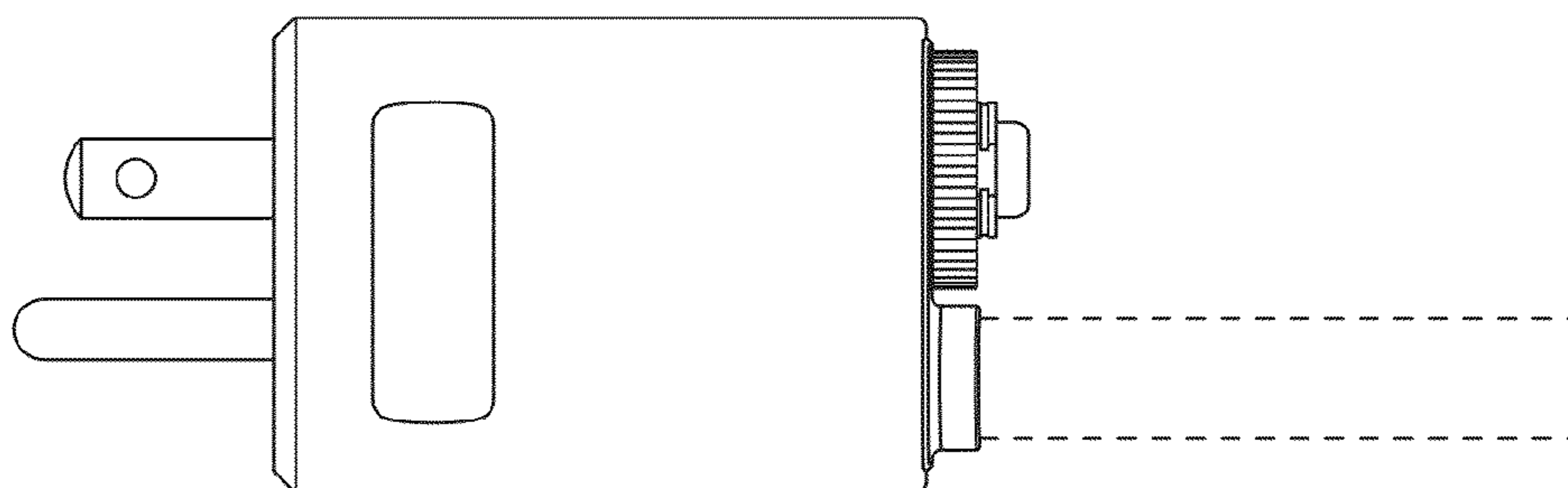


Fig. 8