



US00D716733S

(12) **United States Design Patent**  
**Nagasawa et al.**

(10) **Patent No.:** **US D716,733 S**

(45) **Date of Patent:** **\*\* Nov. 4, 2014**

(54) **BULB SOCKET**

(71) Applicants: **Yazaki Corporation**, Tokyo (JP);  
**Stanley Electric Co., Ltd.**, Tokyo (JP)

(72) Inventors: **Masanori Nagasawa**, Makinohara (JP);  
**Mitsuru Yasuma**, Tokyo (JP); **Masanari Tsukada**, Tokyo (JP)

(73) Assignees: **Yazaki Corporation**, Tokyo (JP);  
**Stanley Electric Company Co., Ltd.**, Tokyo (JP)

(\*\*) Term: **14 Years**

(21) Appl. No.: **29/440,292**

(22) Filed: **Dec. 20, 2012**

(30) **Foreign Application Priority Data**

Jun. 21, 2012 (JP) ..... 2012-014783

(51) **LOC (10) Cl.** ..... **13-03**

(52) **U.S. Cl.**  
USPC ..... **D13/134**

(58) **Field of Classification Search**

CPC ..... H01K 1/46; H01K 1/70; H01R 13/20;  
H01R 2201/26; H01R 33/09; H01R 33/46;  
H01R 33/90; H01R 33/94; Y10S 439/911  
USPC ..... D13/133, 134, 149, 151, 154; D26/24,  
D26/113; 313/318.01–318.05, 318.12;  
362/260, 581; 439/79, 248, 258, 274,  
439/35, 352, 353, 358, 359, 362, 378, 445,  
439/447, 578, 584, 585, 656, 66, 676, 677,  
439/678, 679, 68, 681, 682, 686

See application file for complete search history.

(56) **References Cited**

U.S. PATENT DOCUMENTS

3,805,211	A *	4/1974	Moore	.....	439/101
D324,373	S *	3/1992	Kondo et al.	.....	D13/134
D407,068	S *	3/1999	Harada	.....	D13/134
5,895,283	A *	4/1999	Takanashi	.....	439/336
D535,946	S *	1/2007	Hayashi et al.	.....	D13/133
D616,367	S *	5/2010	Foo	.....	D13/134
D682,209	S *	5/2013	Henrink et al.	.....	D13/133
2002/0061685	A1 *	5/2002	Aiso	.....	439/699.2
2003/0218412	A1 *	11/2003	Shieh	.....	313/318.01

\* cited by examiner

*Primary Examiner* — Thomas Johannes

(74) *Attorney, Agent, or Firm* — Sughrue Mion, PLLC

(57) **CLAIM**

The ornamental design for a bulb socket, as shown and described.

**DESCRIPTION**

FIG. 1 is a front perspective view showing our new design;  
FIG. 2 is a rear perspective view thereof;  
FIG. 3 is a front view thereof;  
FIG. 4 is a rear view thereof;  
FIG. 5 is a left side view thereof;  
FIG. 6 is a right side view thereof;  
FIG. 7 is a top plan view thereof; and,  
FIG. 8 is a bottom view thereof.

The broken lines show unclaimed elements.

**1 Claim, 8 Drawing Sheets**

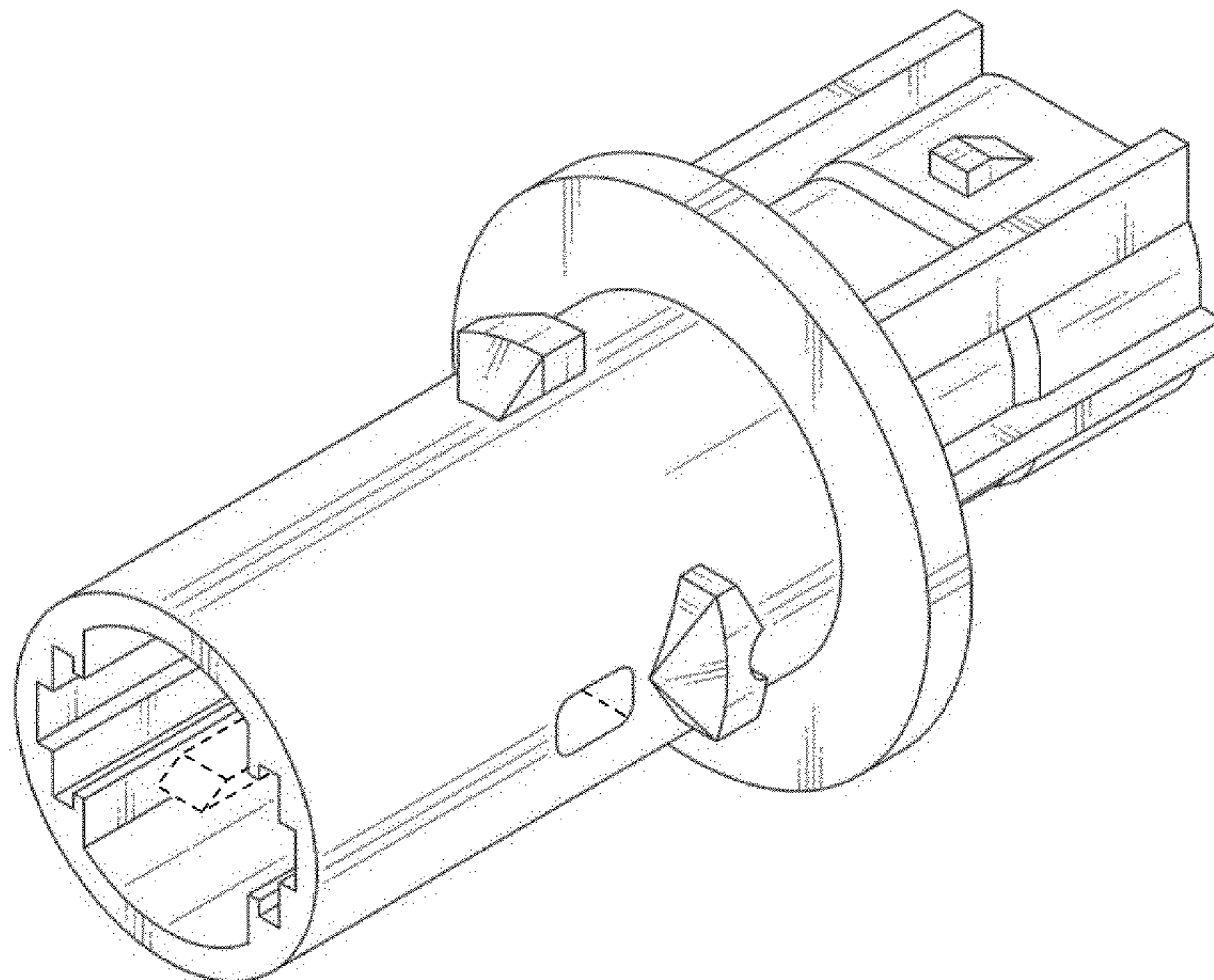


Fig. 1

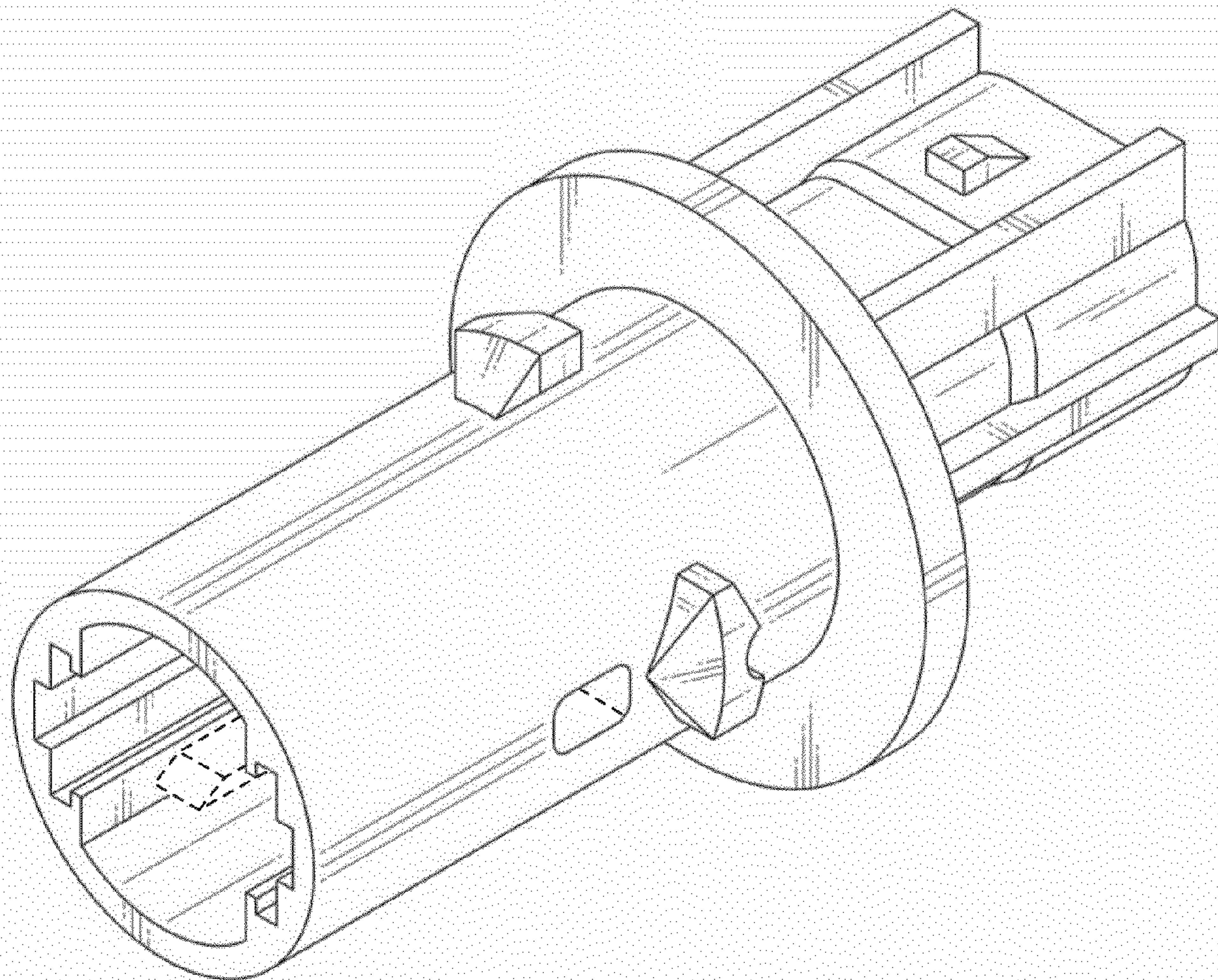




Fig. 2

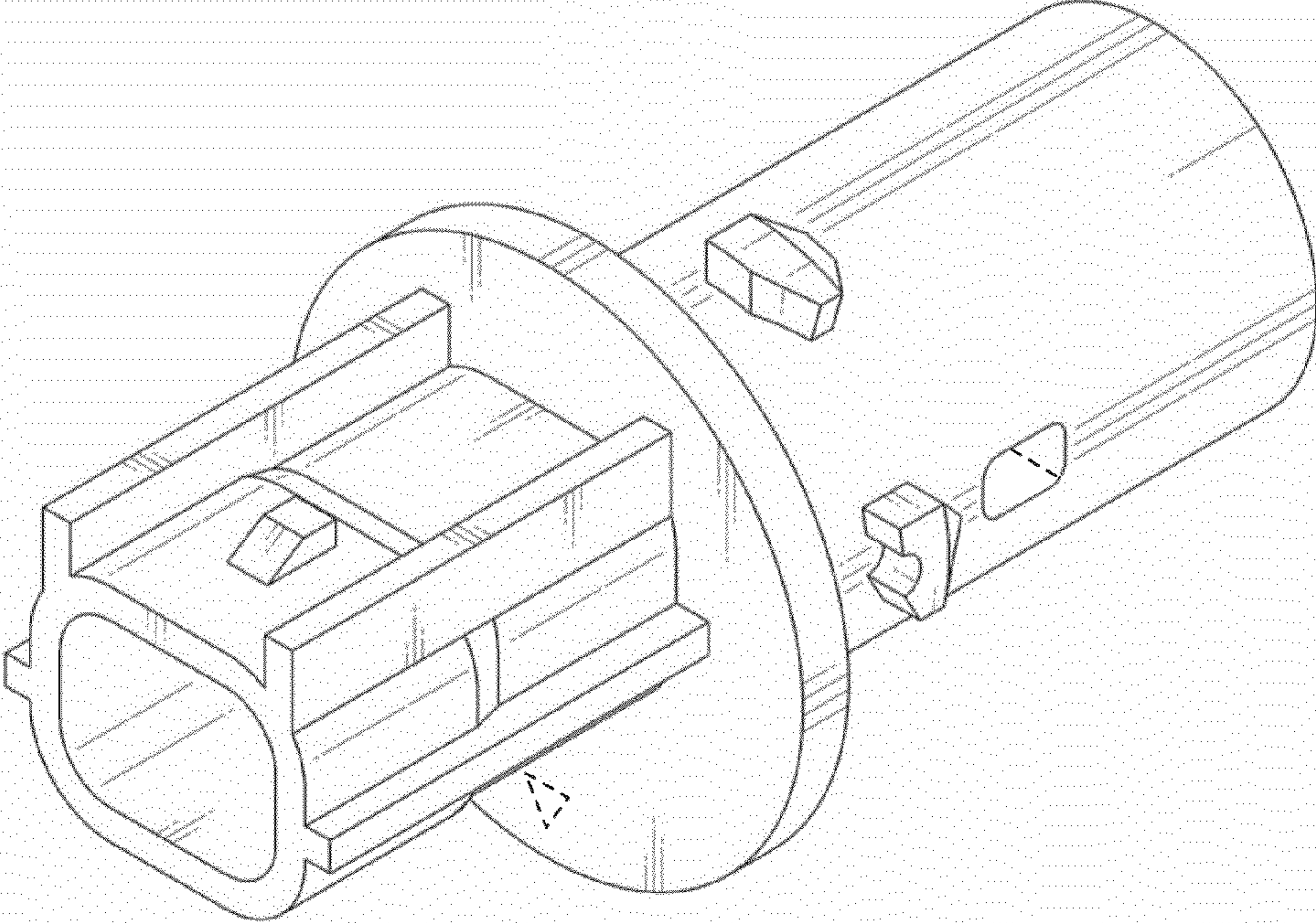


Fig. 3

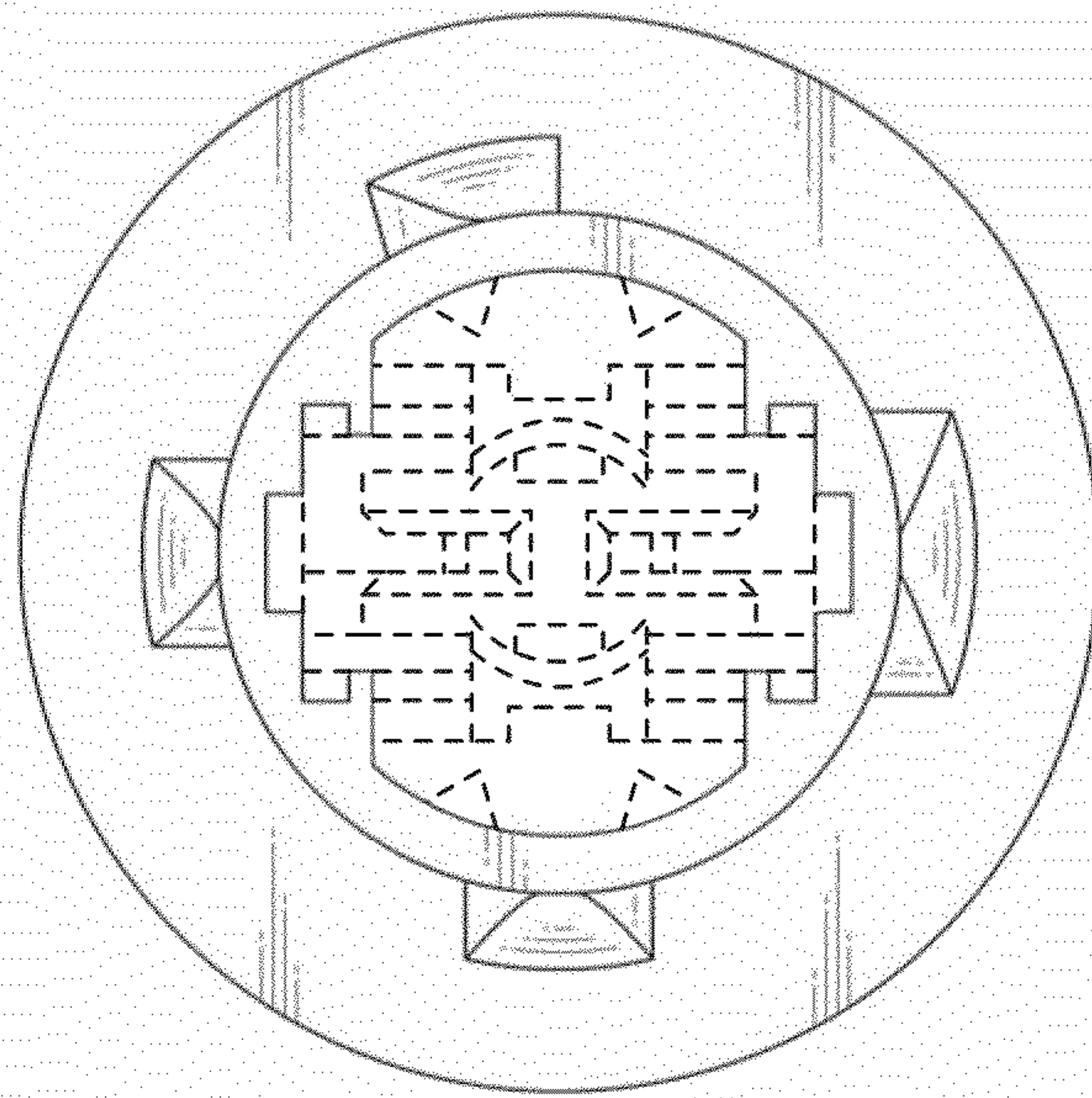




Fig. 4

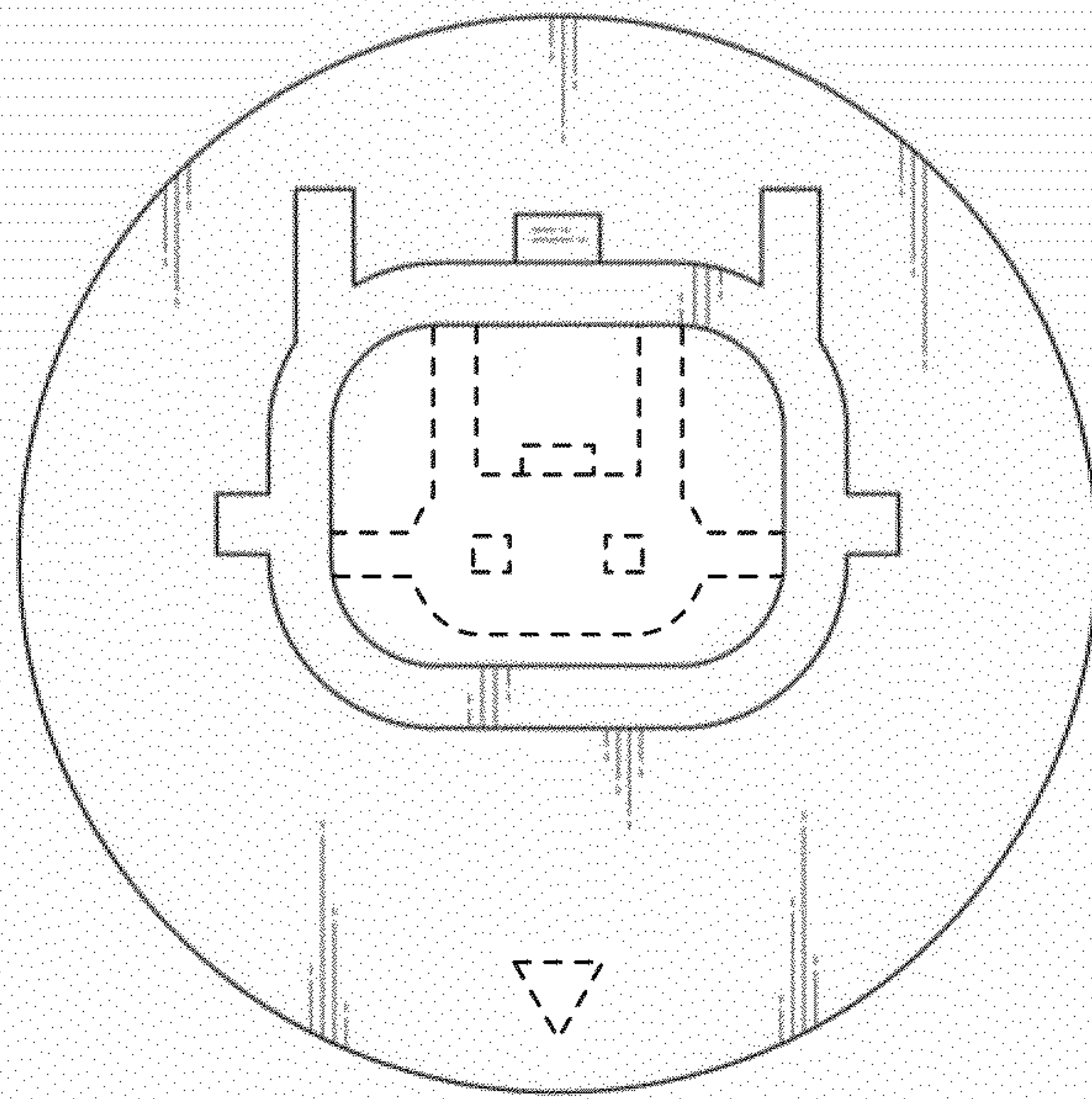


Fig. 5

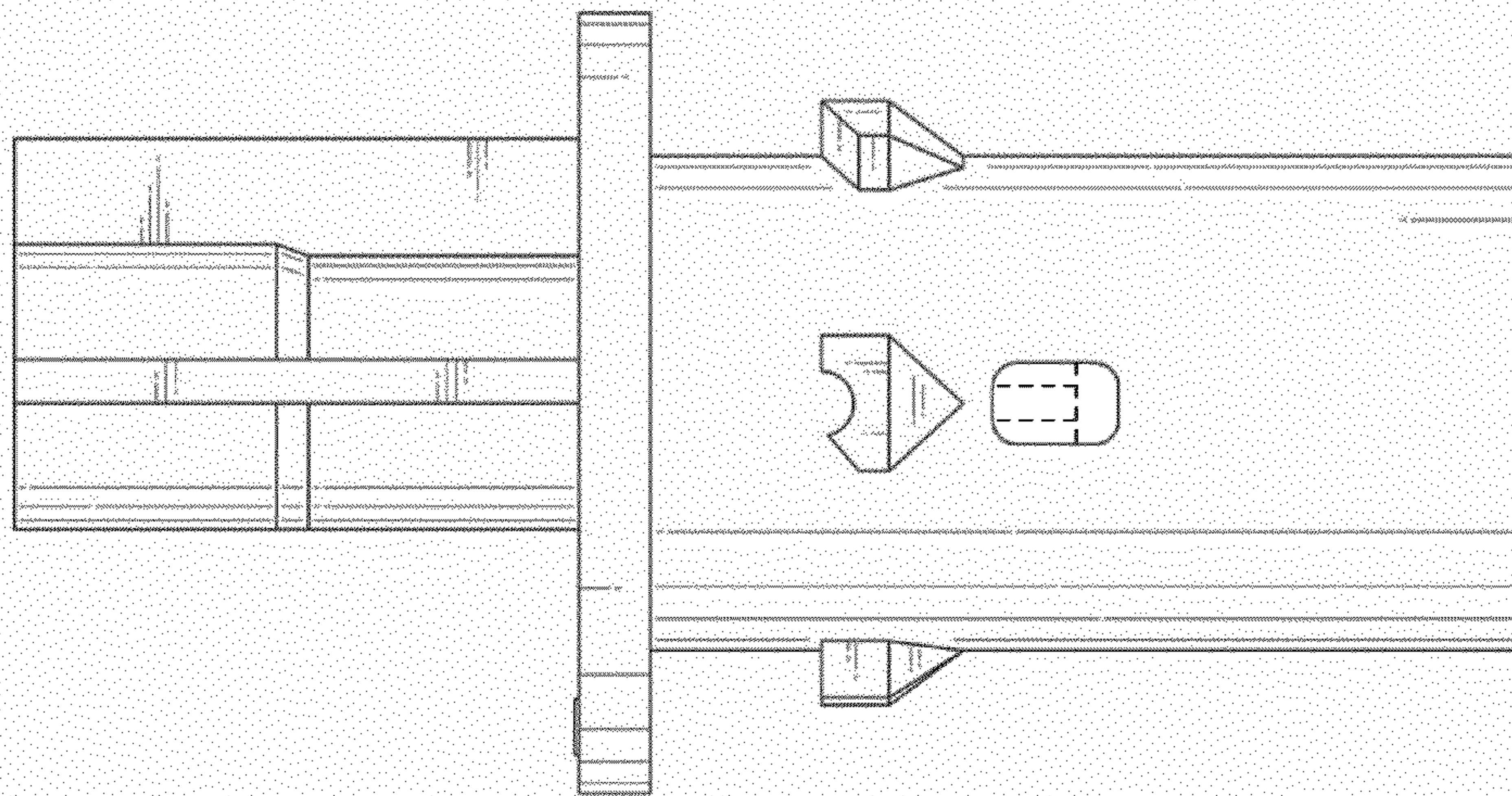




Fig. 6

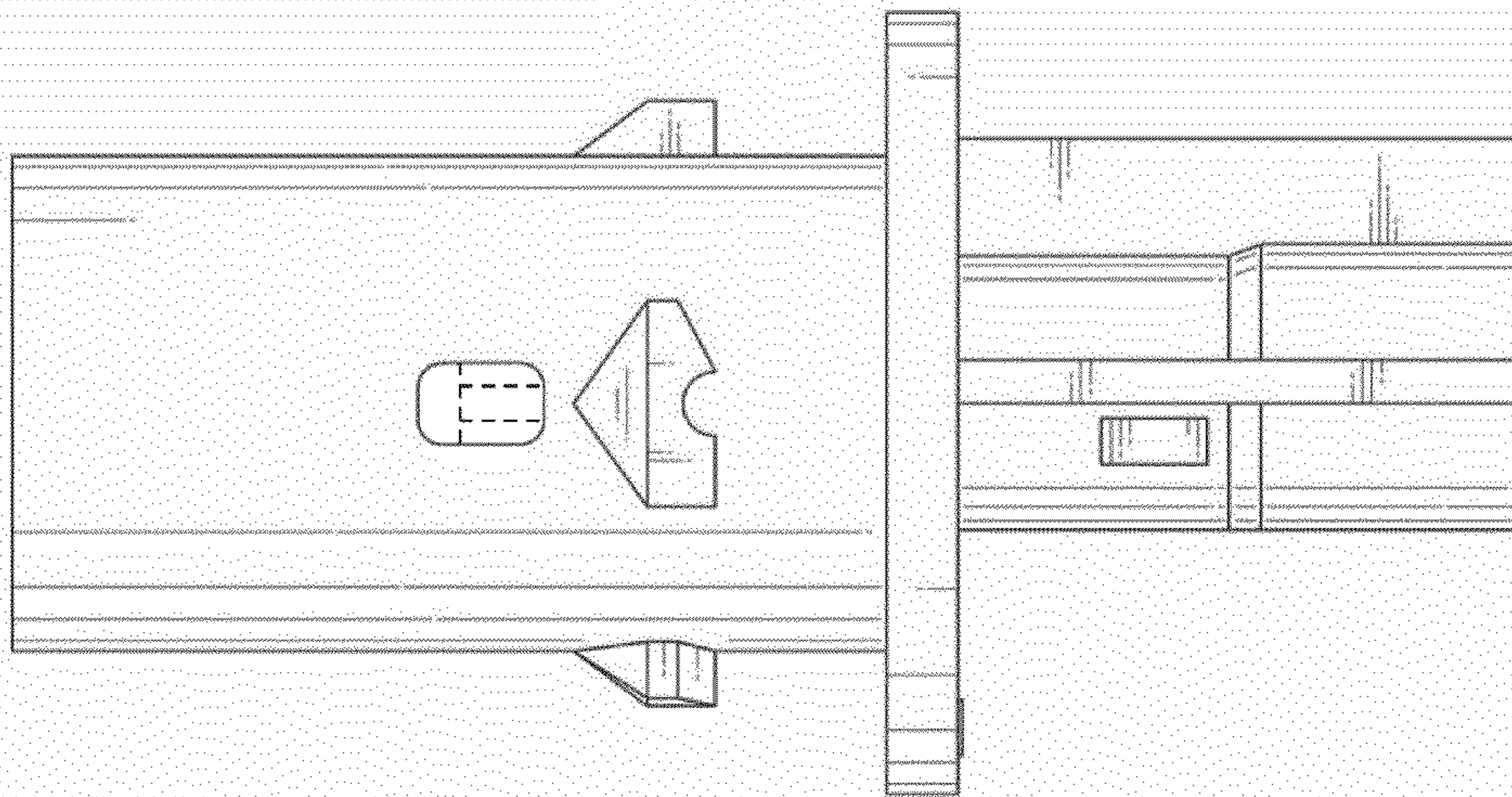


Fig. 7

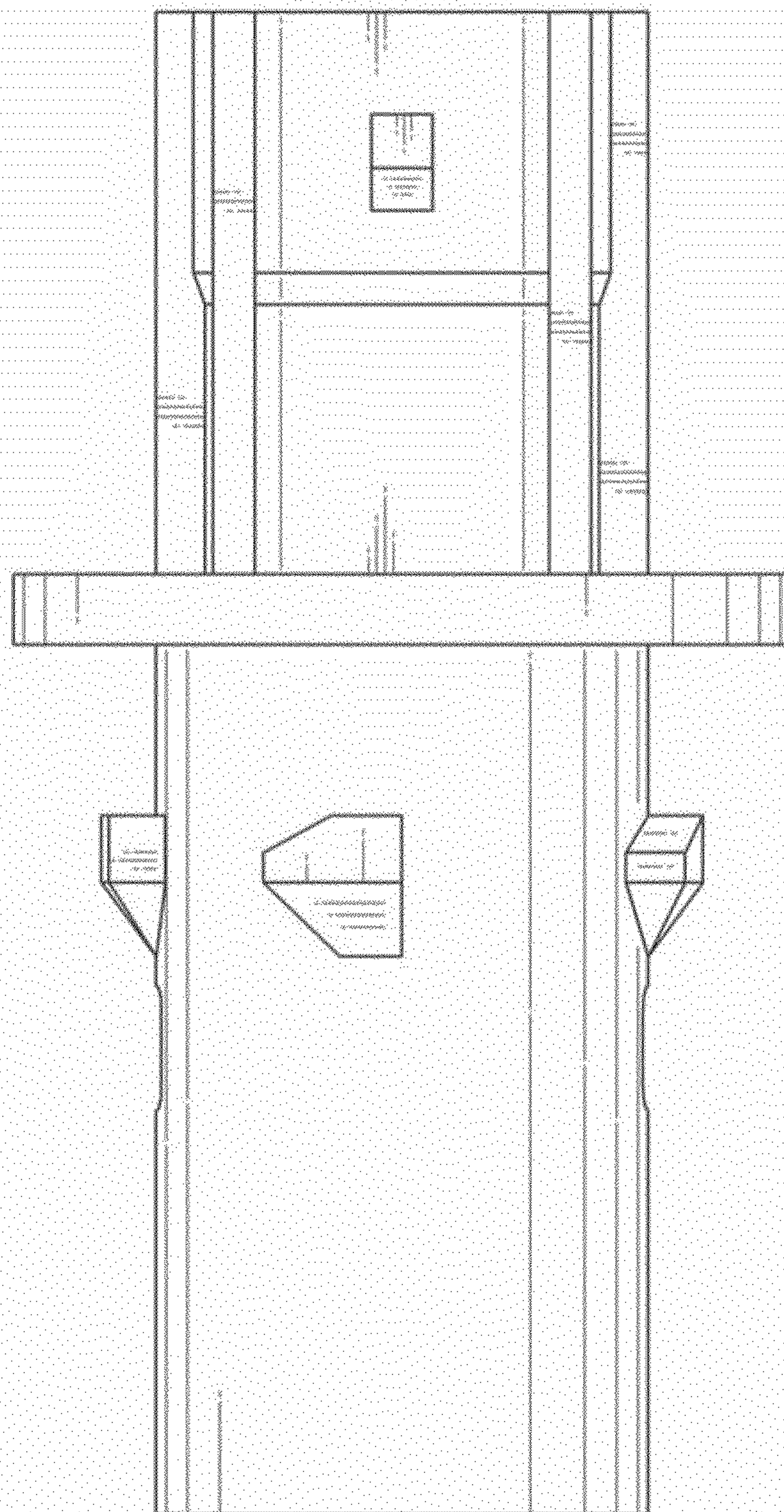




Fig. 8

