



US00D716730S

(12) **United States Design Patent**
Liu et al.

(10) **Patent No.:** **US D716,730 S**
(45) **Date of Patent:** **** Nov. 4, 2014**

(54) **ELECTRONIC BALLAST**

(71) Applicant: **Shenzhen Longood Intelligent Electric Co., Ltd**, Shenzhen (CN)

(72) Inventors: **Xianwu Liu**, Shenzhen (CN); **Yujie Zhang**, Anhui (CN); **Qingsong Chu**, Hunan (CN); **Jun Ding**, Chibi (CN)

(73) Assignee: **Shenzhen Longood Intelligent Electric Co., Ltd**, Shenzhen (CN)

(**) Term: **14 Years**

(21) Appl. No.: **29/481,904**

(22) Filed: **Feb. 12, 2014**

(30) **Foreign Application Priority Data**

Jan. 10, 2014 (CN) 2014 3 0007558

(51) **LOC (10) Cl.** **13-02**

(52) **U.S. Cl.**
USPC **D13/110**

(58) **Field of Classification Search**
USPC D13/110, 103, 107, 108, 118, 119, 123, D13/133, 137.1, 184, 199; D14/188, 240, D14/251, 356, 432, 433, 434; 174/53, 54, 174/59, 61; 307/11, 150, 151; 320/107, 320/111, 112, 113, 114, 115; 361/679.01; 363/142, 146; 439/131, 172, 626, 628, 439/638

See application file for complete search history.

(56) **References Cited**

U.S. PATENT DOCUMENTS

D332,443	S	*	1/1993	Sharpe	D13/184
5,742,478	A	*	4/1998	Wu	361/704
D427,147	S	*	6/2000	Wei	D13/110
D427,969	S	*	7/2000	Wei	D13/110
D478,547	S	*	8/2003	Milby	D13/110
D546,282	S	*	7/2007	Wardenburg	D13/110
D551,621	S	*	9/2007	Iacovelli et al.	D13/110
D558,142	S	*	12/2007	Cho	D13/110
D575,227	S	*	8/2008	So	D13/110
D581,580	S	*	11/2008	Townsley	D26/118

* cited by examiner

Primary Examiner — Derrick Holland

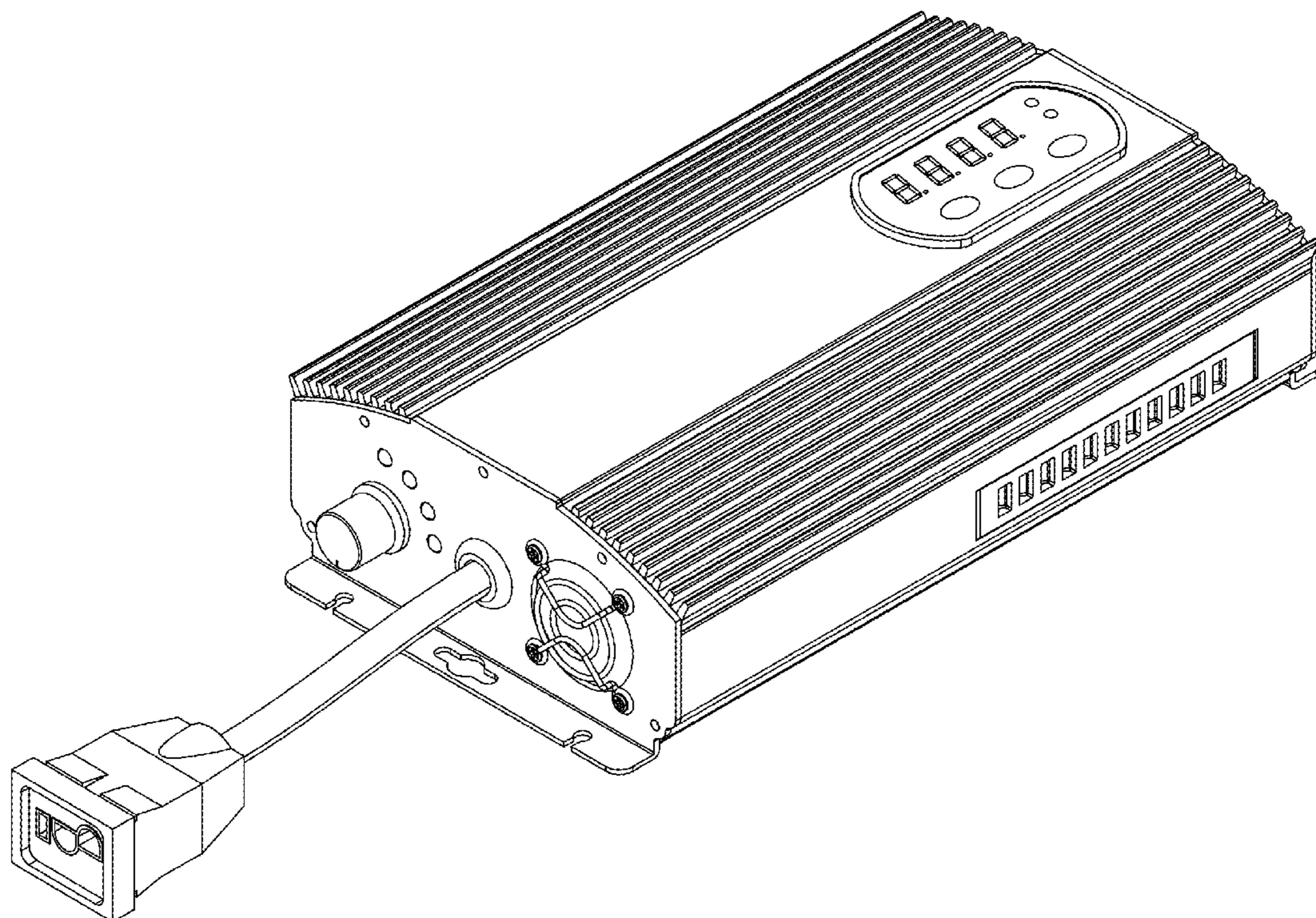
(57) **CLAIM**

The ornamental design for an electronic ballast, as shown and described.

DESCRIPTION

FIG. 1 is a perspective view of an electronic ballast showing our new design;
FIG. 2 is a front view thereof;
FIG. 3 is a rear view thereof;
FIG. 4 is a left side view thereof;
FIG. 5 is a right side view thereof;
FIG. 6 is a top plan view thereof; and,
FIG. 7 is a bottom plan view thereof.

1 Claim, 7 Drawing Sheets



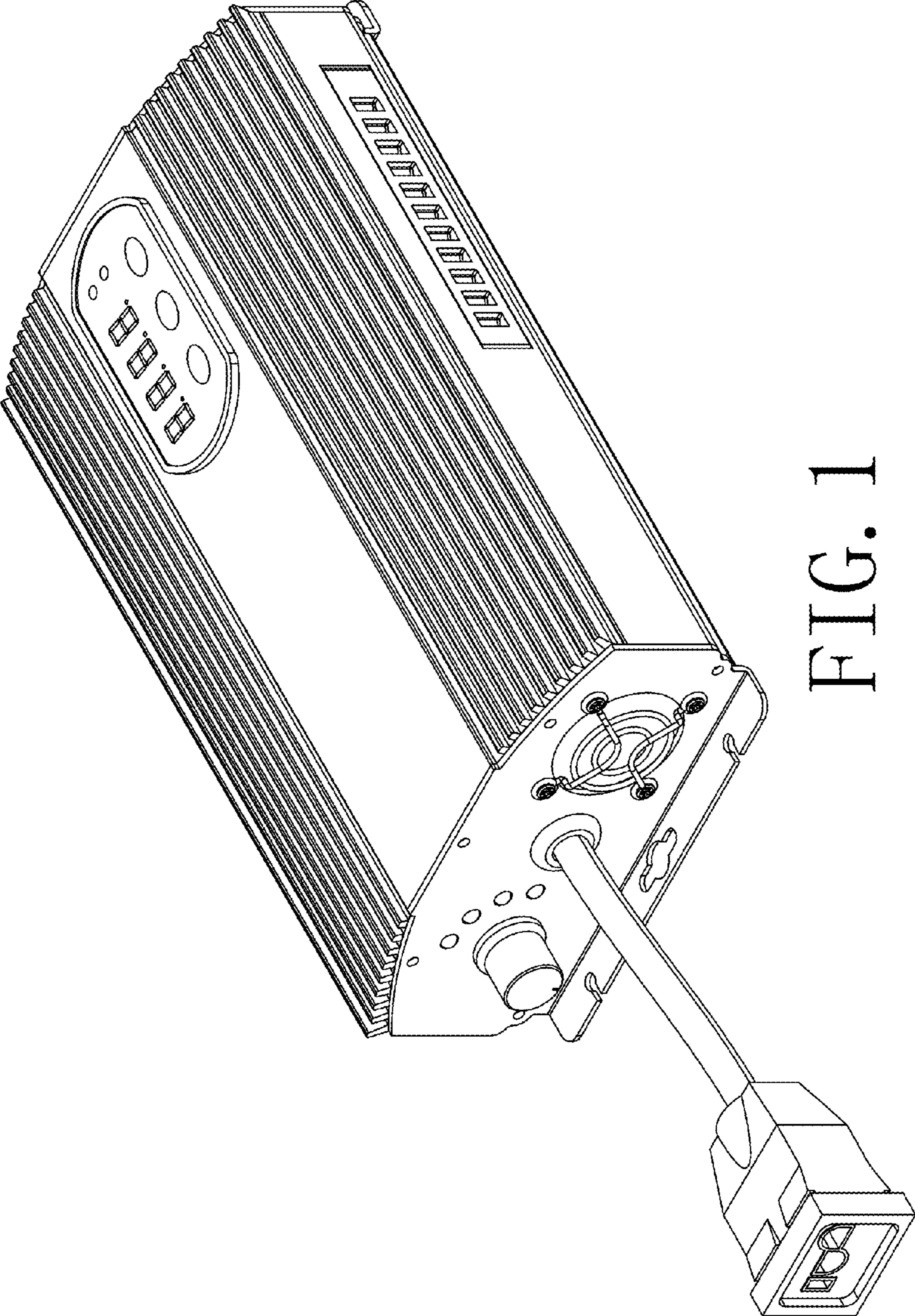


FIG. 1

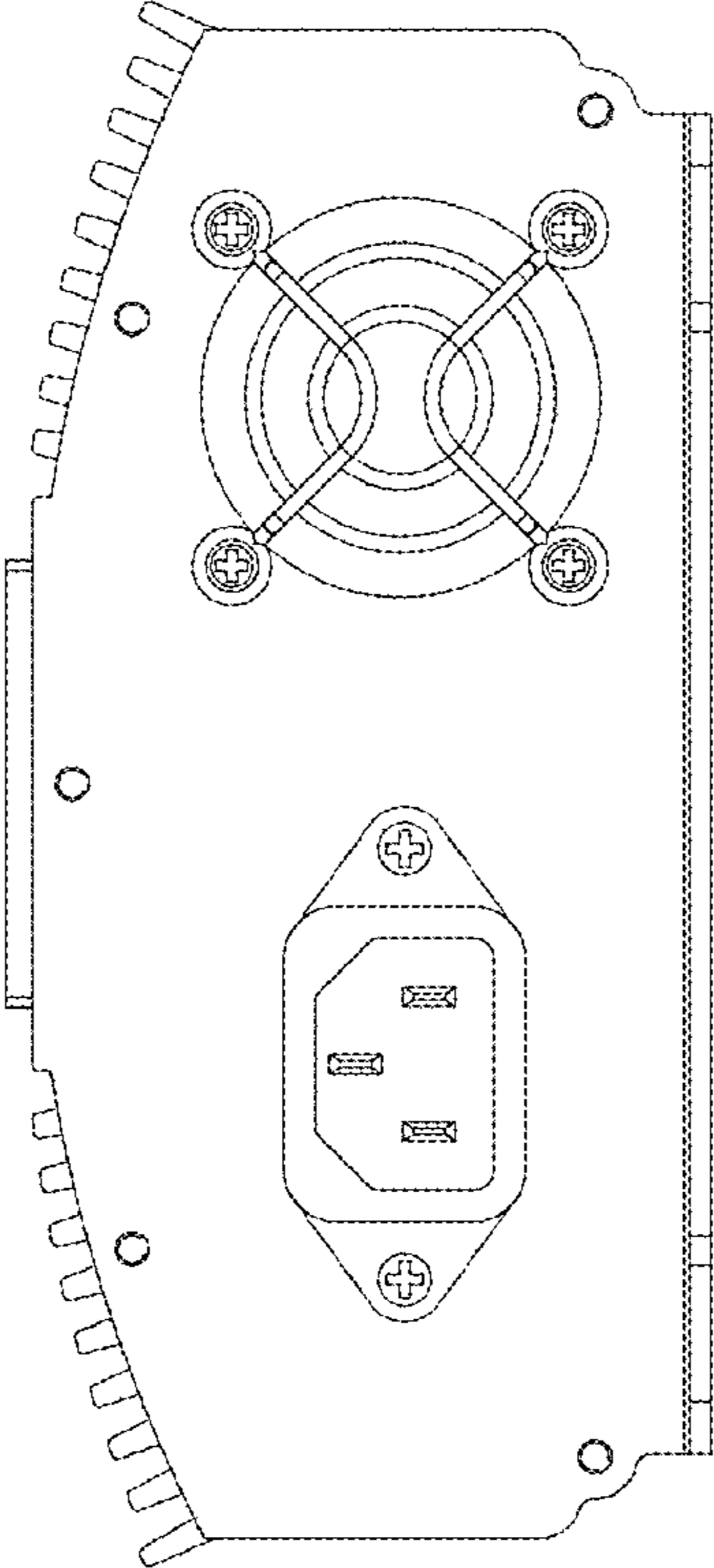


FIG. 2

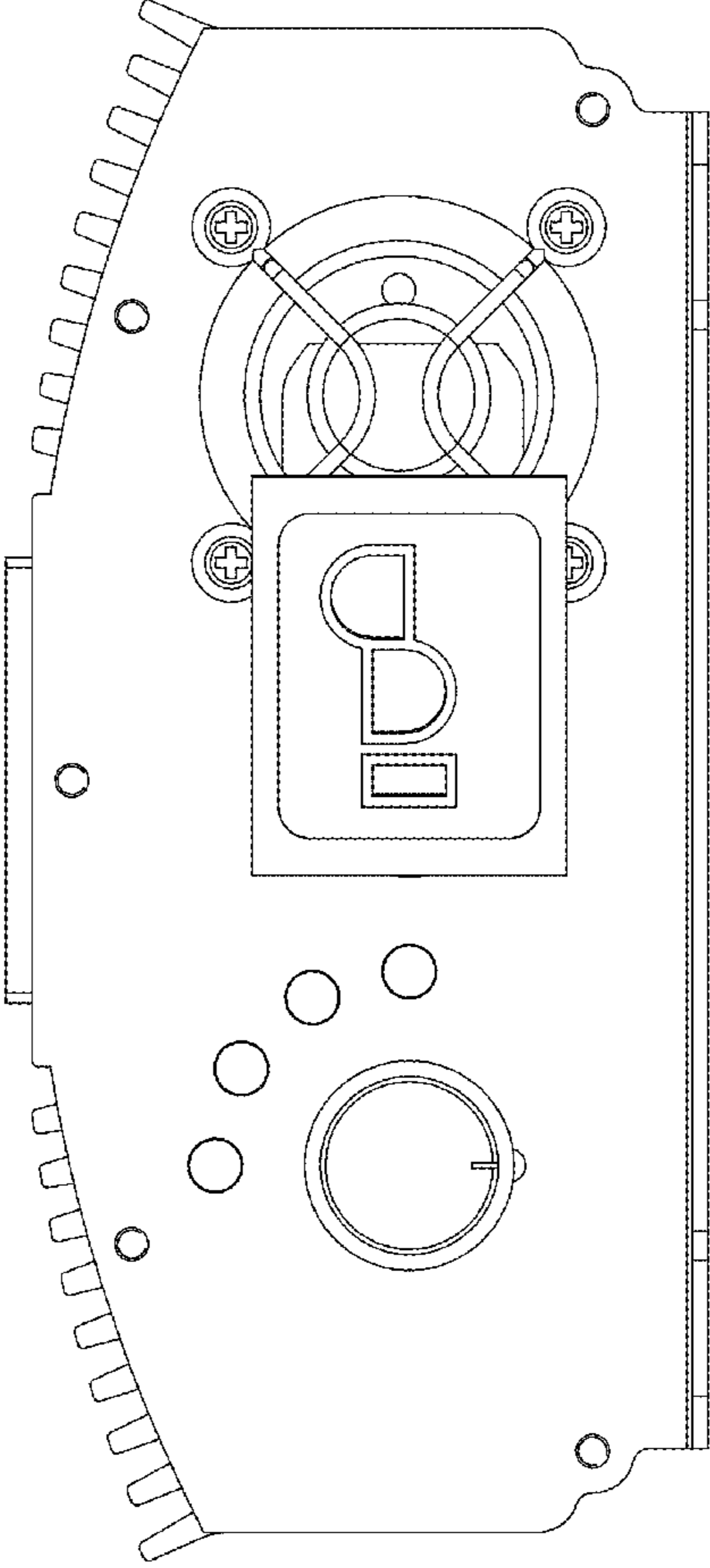


FIG. 3

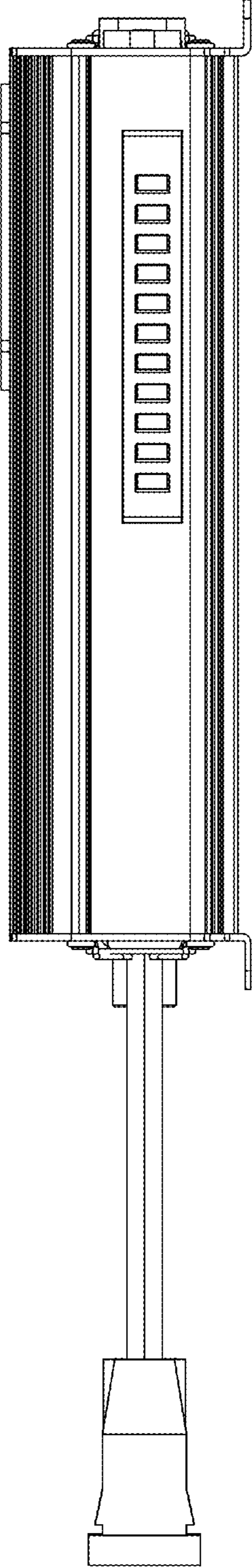


FIG. 4

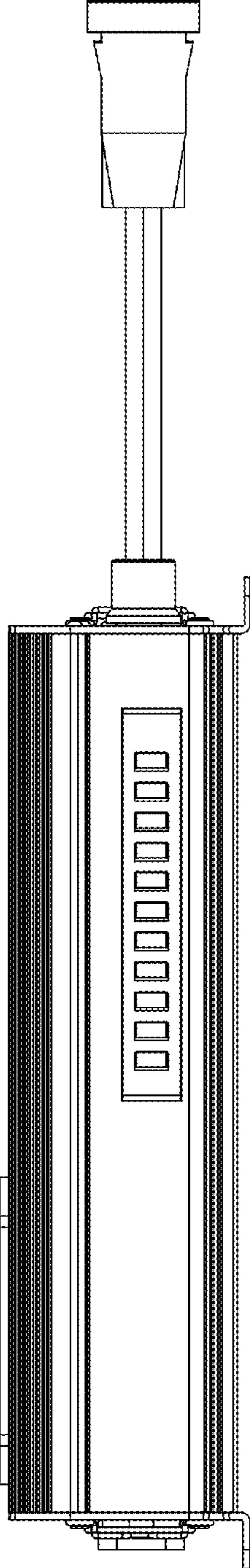


FIG. 5

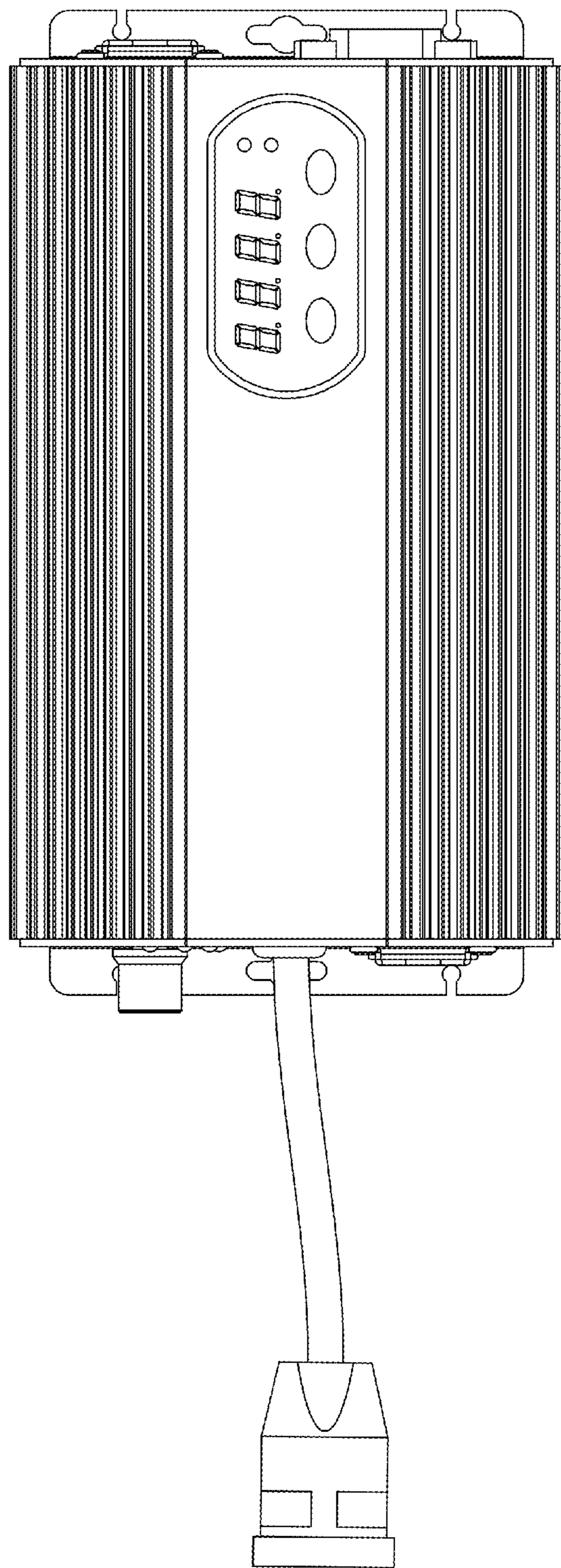


FIG. 6

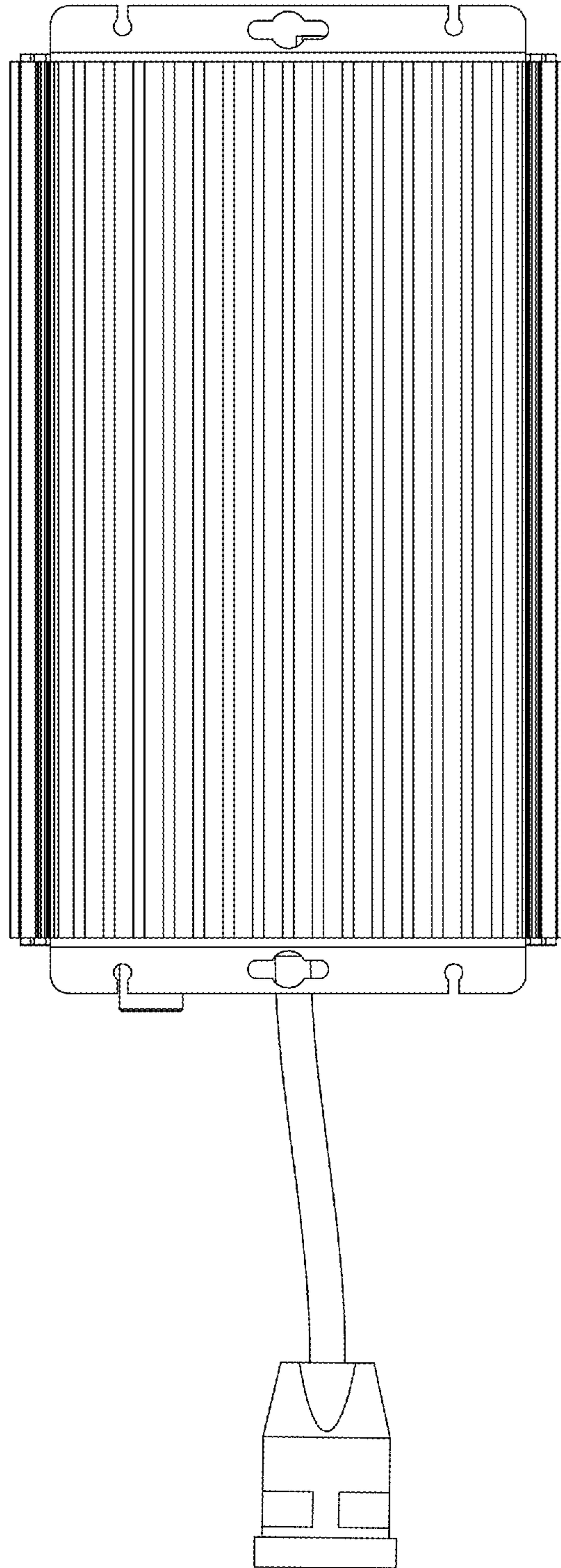


FIG. 7