



US00D716729S

(12) **United States Design Patent**  
**Kelly et al.**

(10) **Patent No.:** **US D716,729 S**

(45) **Date of Patent:** **\*\* Nov. 4, 2014**

(54) **ELECTRICAL POWER BATON**

(71) Applicants: **Andrew Kelly**, Loughborough (GB);  
**Joshua T. Druker**, Palo Alto, CA (US);  
**Kevin D. Simmons**, Palo Alto, CA (US);  
**Alexander Brown**, Palo Alto, CA (US)

(72) Inventors: **Andrew Kelly**, Loughborough (GB);  
**Joshua T. Druker**, Palo Alto, CA (US);  
**Kevin D. Simmons**, Palo Alto, CA (US);  
**Alexander Brown**, Palo Alto, CA (US)

(73) Assignee: **Intelligent Energy Limited**,  
Loughborough (GB)

(\*\*) Term: **14 Years**

(21) Appl. No.: **29/470,043**

(22) Filed: **Oct. 17, 2013**

(51) **LOC (10) Cl.** ..... **13-02**

(52) **U.S. Cl.**  
USPC ..... **D13/110**

(58) **Field of Classification Search**  
USPC ..... D13/110, 101, 103, 107, 108, 118, 120,  
D13/184, 199; D14/251, 253, 432, 433,  
D14/434; 48/61, 74; 60/39.55, 740, 742;  
423/657; 429/12, 20, 30, 34-39, 411,  
429/442, 469, 472, 479  
See application file for complete search history.

(56) **References Cited**

**U.S. PATENT DOCUMENTS**

5,179,501 A \* 1/1993 Ocken et al. .... 361/709  
5,568,006 A \* 10/1996 Luff et al. .... 310/348

D446,499 S \* 8/2001 Andre et al. .... D13/110  
D454,110 S \* 3/2002 Andre et al. .... D13/110  
D483,725 S \* 12/2003 Thompson et al. .... D13/184  
D503,679 S \* 4/2005 Andre et al. .... D13/110  
D612,329 S \* 3/2010 Guccione et al. .... D13/108  
D633,034 S \* 2/2011 Heine et al. .... D13/103  
D665,734 S \* 8/2012 Fitch et al. .... D13/107  
D673,497 S \* 1/2013 Rosenzweig et al. .... D13/101  
D678,191 S \* 3/2013 Fitch et al. .... D13/108

\* cited by examiner

*Primary Examiner* — Derrick Holland

(74) *Attorney, Agent, or Firm* — Baker and Hostetler LLP

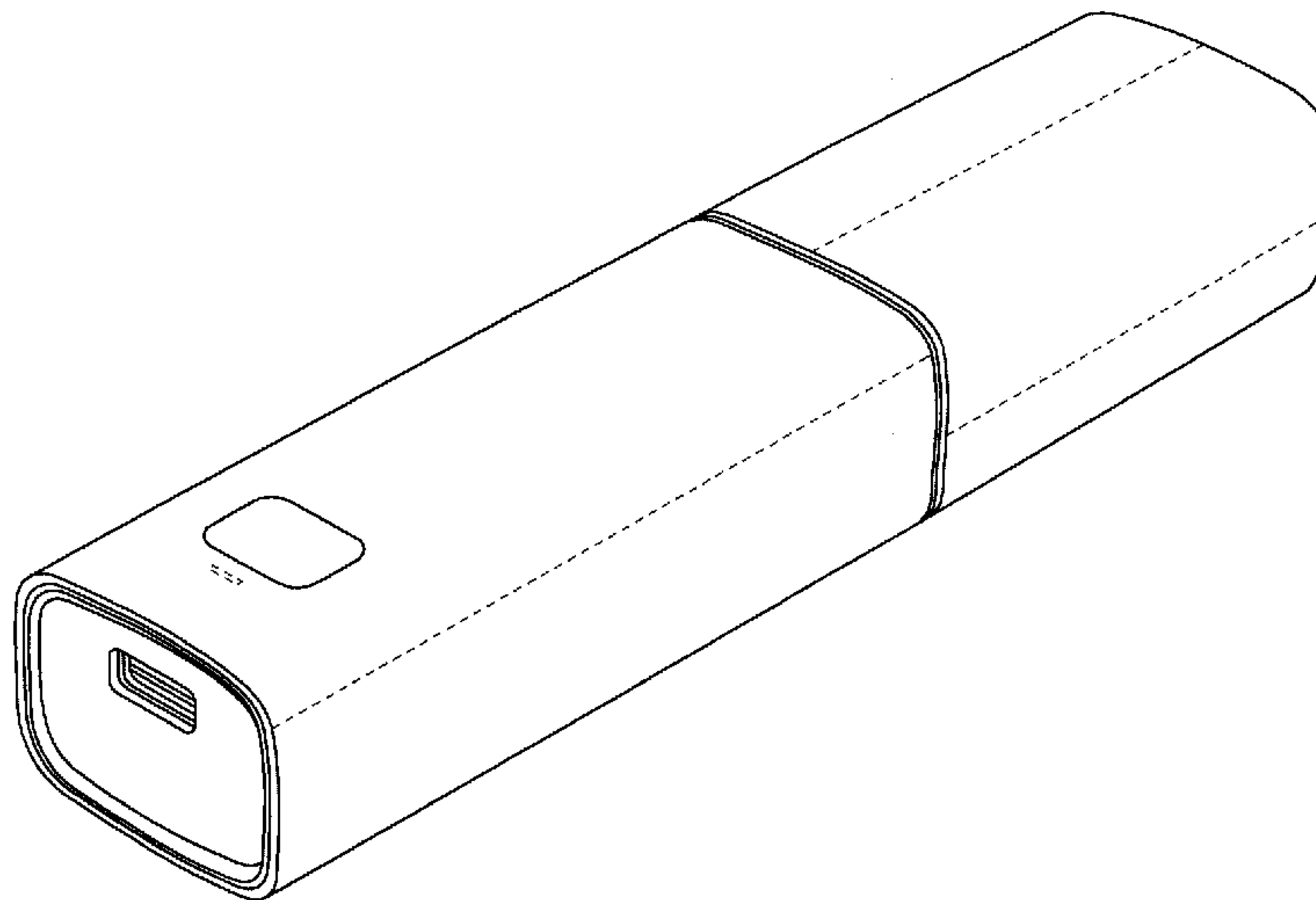
(57) **CLAIM**

The ornamental design for an electrical power baton, as shown and described.

**DESCRIPTION**

FIG. 1 is perspective view of an electrical power baton showing our new design;  
FIG. 2 is a front view of an electrical power baton showing our new design;  
FIG. 3 is a left side view of an electrical power baton showing our new design;  
FIG. 4 is a right side view of an electrical power baton showing our new design;  
FIG. 5 is a back view of an electrical power baton showing our new design;  
FIG. 6 is a top view of an electrical power baton showing our new design; and,  
FIG. 7 is a bottom view of an electrical power baton showing our new design.  
The broken lines shown represent unclaimed subject matter and form no part of the claimed design.

**1 Claim, 3 Drawing Sheets**



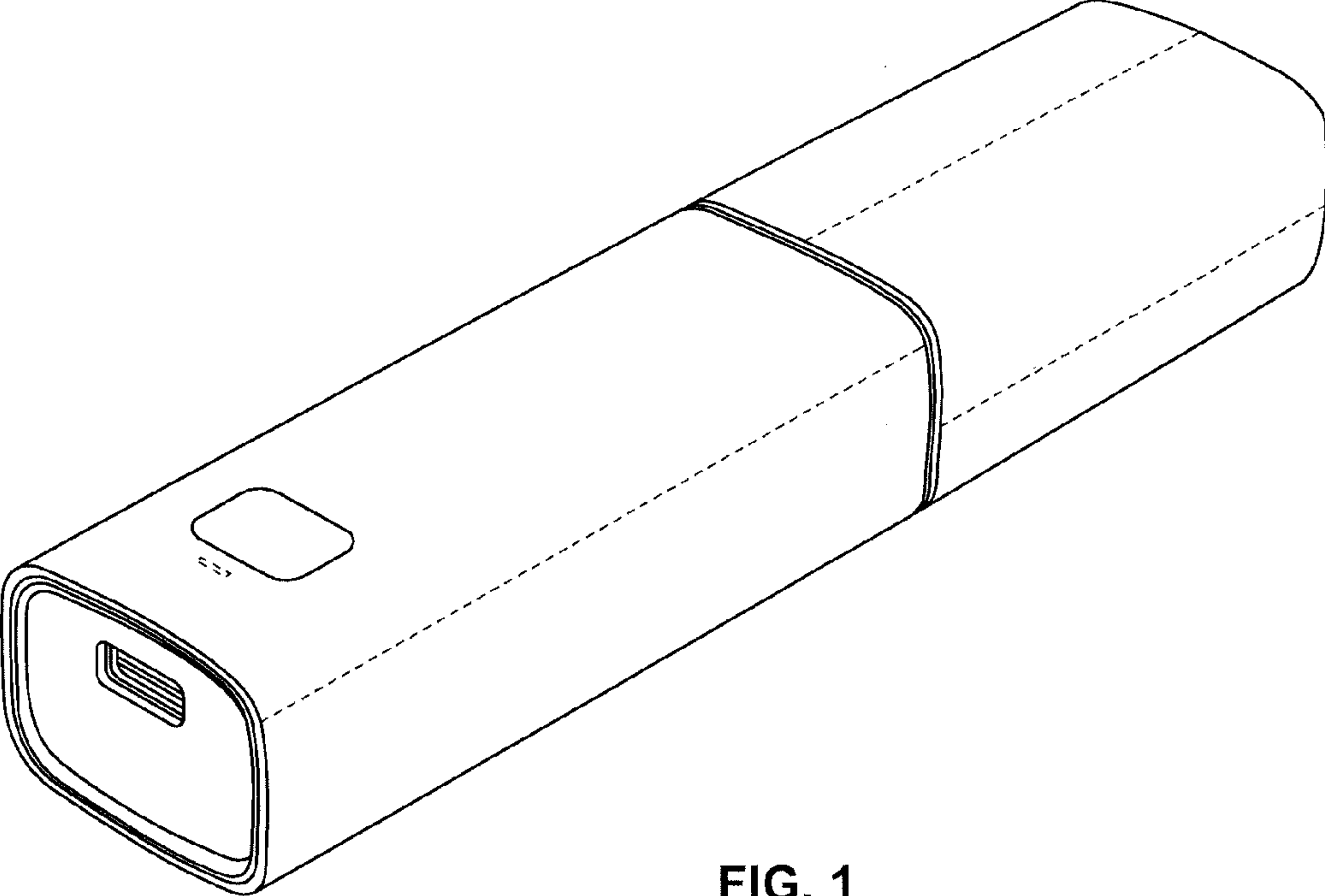


FIG. 1

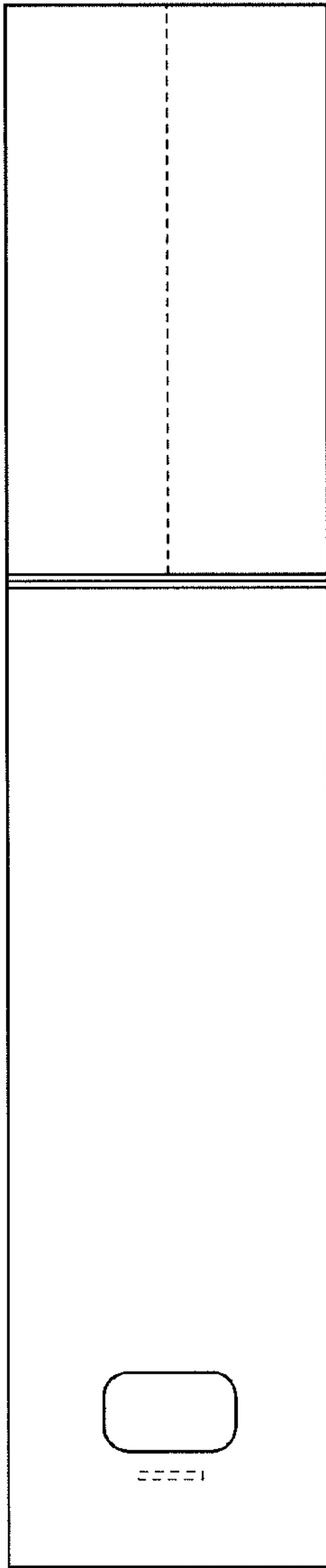


FIG. 2

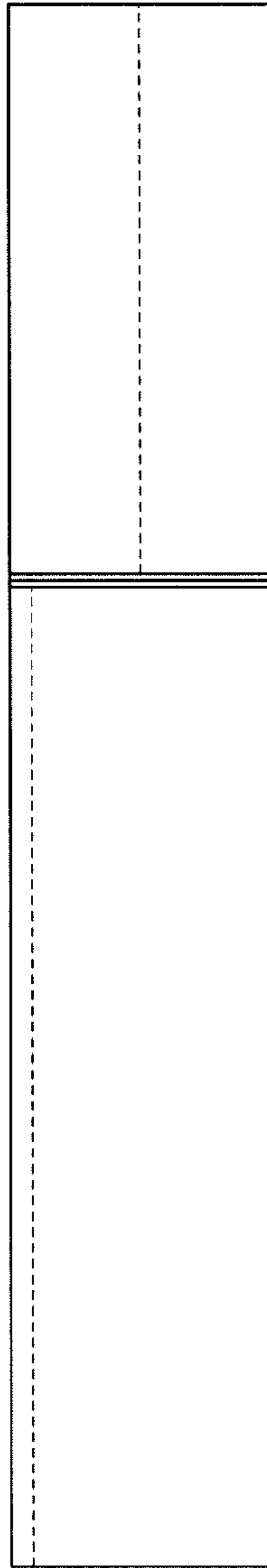


FIG. 3

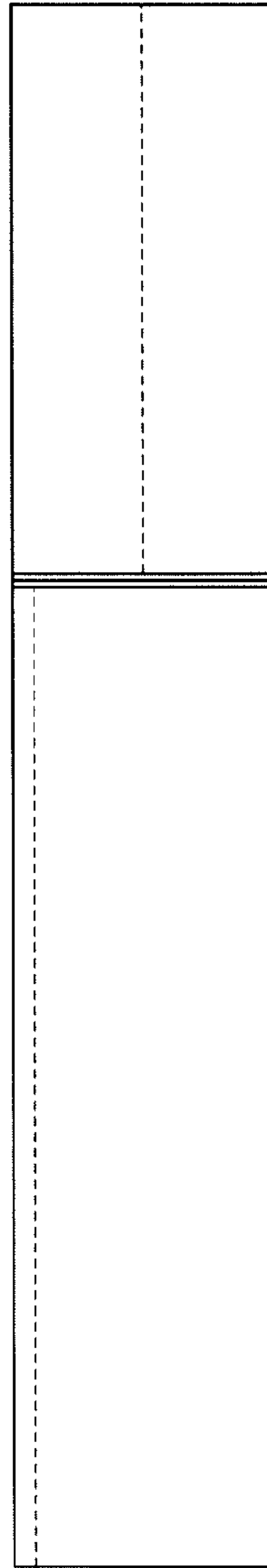


FIG. 4

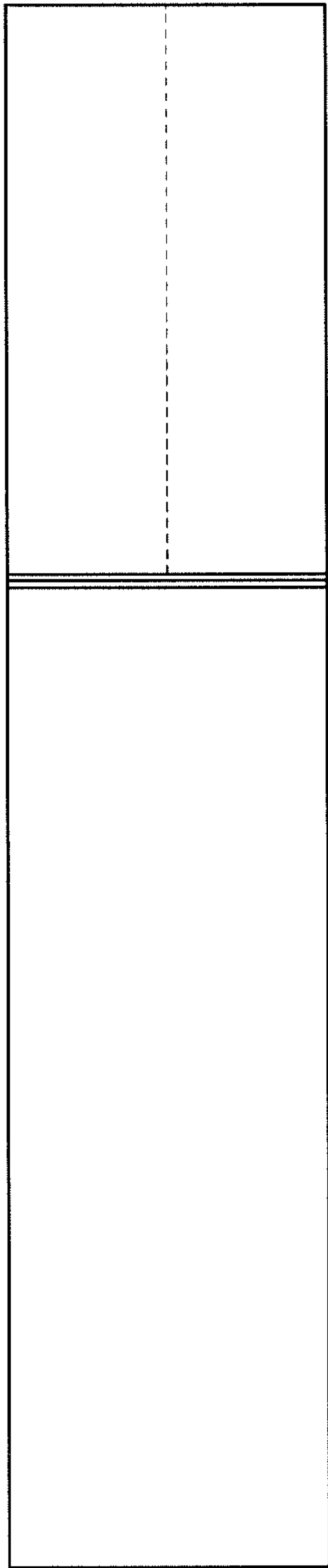


FIG. 5

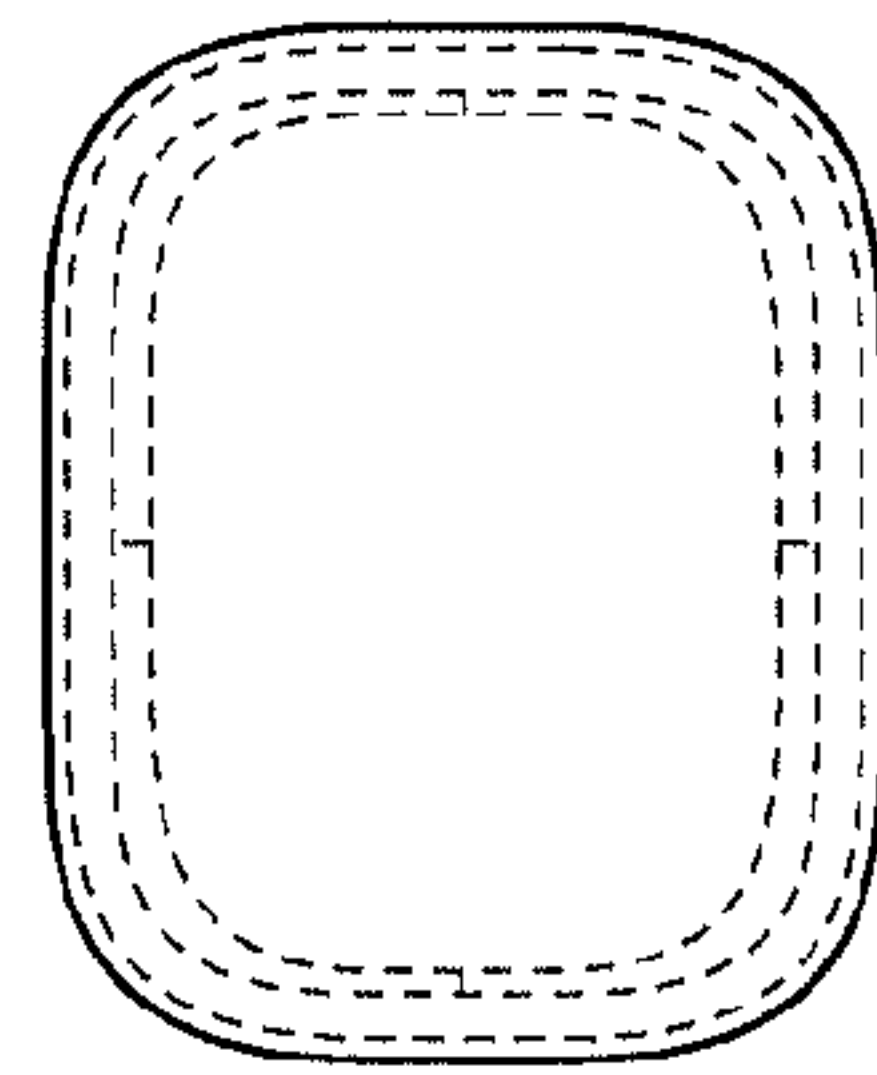


FIG. 6

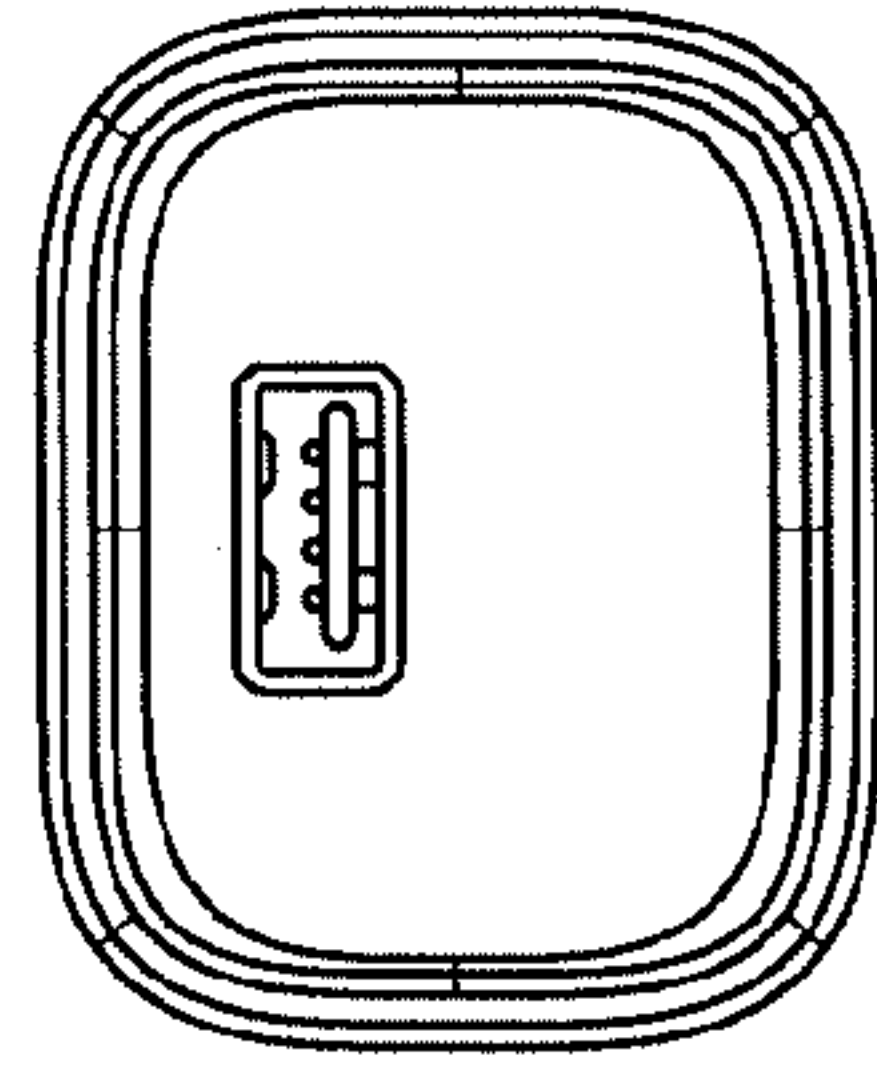


FIG. 7