



US00D716727S

(12) **United States Design Patent**
Oyadomari

(10) **Patent No.:** **US D716,727 S**

(45) **Date of Patent:** **** Nov. 4, 2014**

(54) **INVERTER FOR ELECTRIC VEHICLE**

(71) Applicant: **Meidensha Corporation**, Tokyo (JP)

(72) Inventor: **Masumi Oyadomari**, Mishima (JP)

(73) Assignee: **Meidensha Corporation**, Tokyo (JP)

(**) Term: **14 Years**

(21) Appl. No.: **29/442,810**

(22) Filed: **May 21, 2013**

(30) **Foreign Application Priority Data**

Nov. 26, 2012 (JP) D2012-028774

(51) **LOC (10) Cl.** **13-02**

(52) **U.S. Cl.**
USPC **D13/110**

(58) **Field of Classification Search**
USPC D13/110, 101, 122, 123, 184, 199;
D15/5; 123/185.1, 185.14; 290/47, 48;
310/89, 109; 361/600, 601, 622, 702,
361/703, 730, 809; 363/141, 142
See application file for complete search history.

(56) **References Cited**

U.S. PATENT DOCUMENTS

D526,614 S * 8/2006 Kajiura D13/110
D538,741 S * 3/2007 Nanda et al. D13/110
D555,088 S * 11/2007 Ohmi D13/110
D559,778 S * 1/2008 Tsuzuki et al. D13/110
D562,765 S * 2/2008 Tsuzuki et al. D13/110

D593,030 S * 5/2009 Konoma et al. D13/110
D609,180 S * 2/2010 Suzuki et al. D13/110
D615,489 S * 5/2010 Masuda et al. D13/103
7,817,406 B2 * 10/2010 Bremicker et al. 361/679.01

* cited by examiner

Primary Examiner — Derrick Holland

(74) *Attorney, Agent, or Firm* — Foley & Lardner LLP

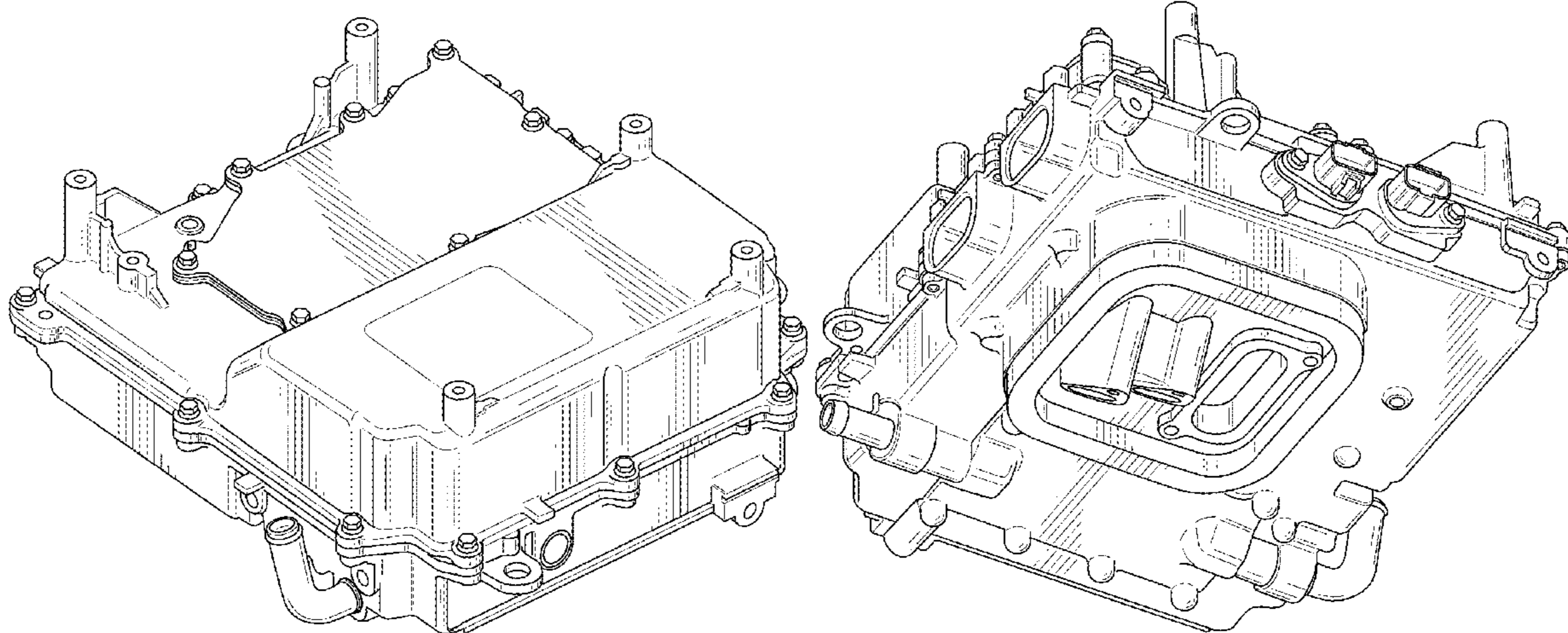
(57) **CLAIM**

I claim the ornamental design for an inverter for an electric vehicle, as shown and described.

DESCRIPTION

FIG. 1 is a front view of an inverter for electric vehicle showing our new design;
FIG. 2 is a rear view thereof;
FIG. 3 is a top plan view thereof;
FIG. 4 is a bottom plan view thereof;
FIG. 5 is a right side view thereof;
FIG. 6 is a left side view thereof;
FIG. 7 is a front, right and top perspective view thereof;
FIG. 8 is a front, left and top perspective view thereof;
FIG. 9 is a rear, left and top perspective view thereof;
FIG. 10 is a rear, right and top perspective view thereof;
FIG. 11 is a bottom, front and right perspective view thereof;
FIG. 12 is a bottom, front and left perspective view thereof;
FIG. 13 is a bottom, rear and left perspective view thereof;
and,
FIG. 14 is a bottom, rear and right perspective view thereof.

1 Claim, 7 Drawing Sheets



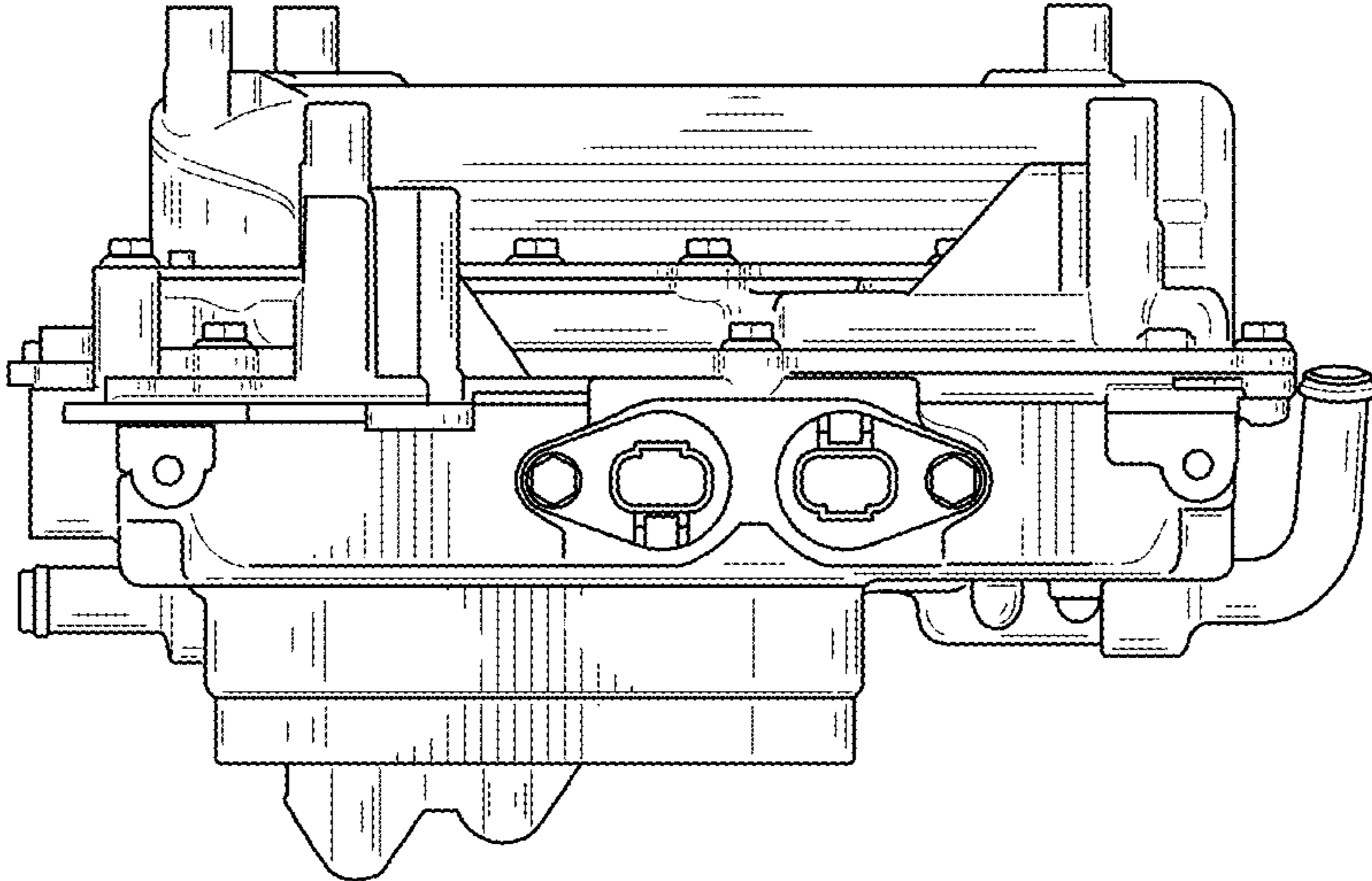


FIG. 1

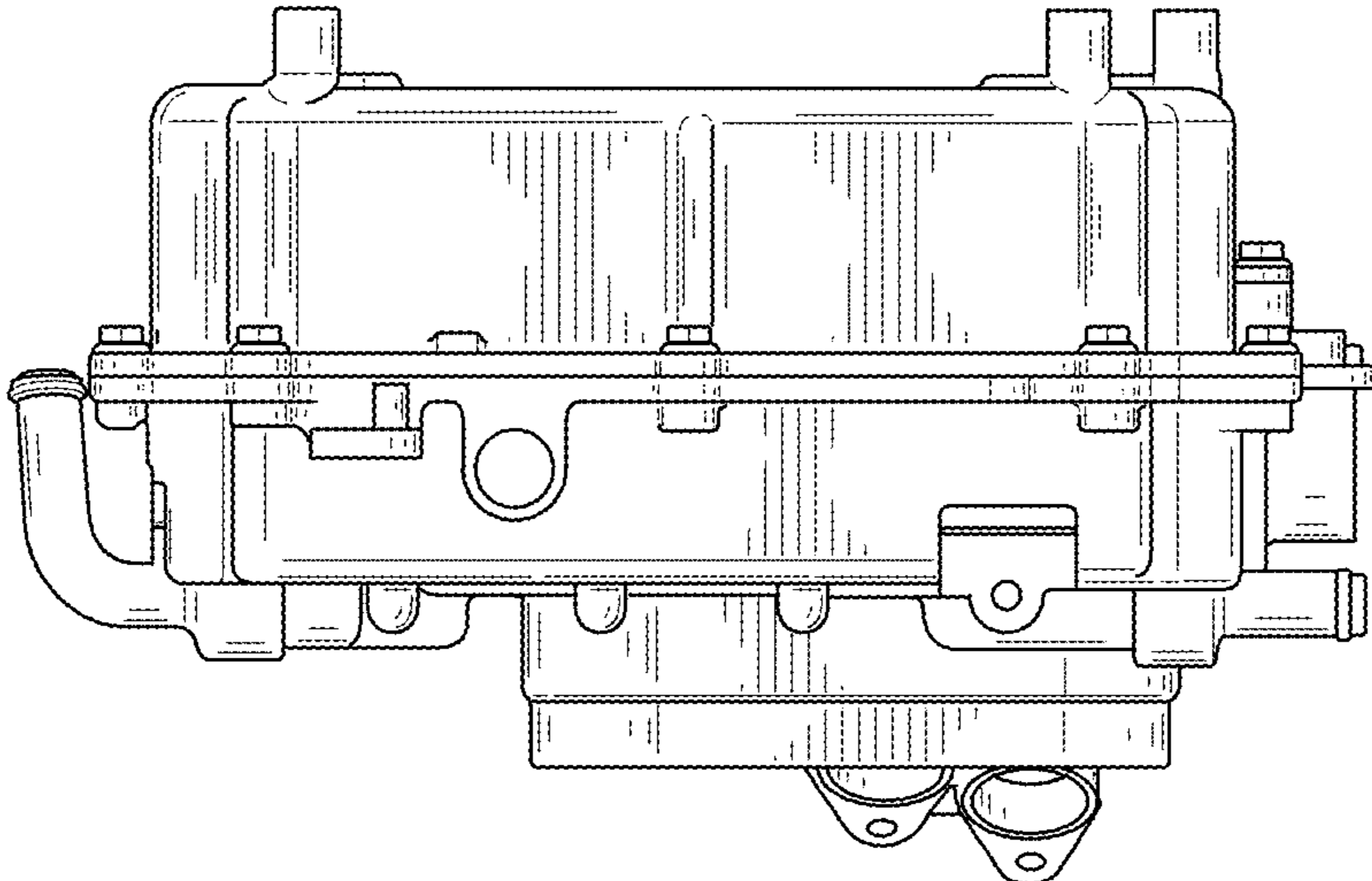


FIG. 2

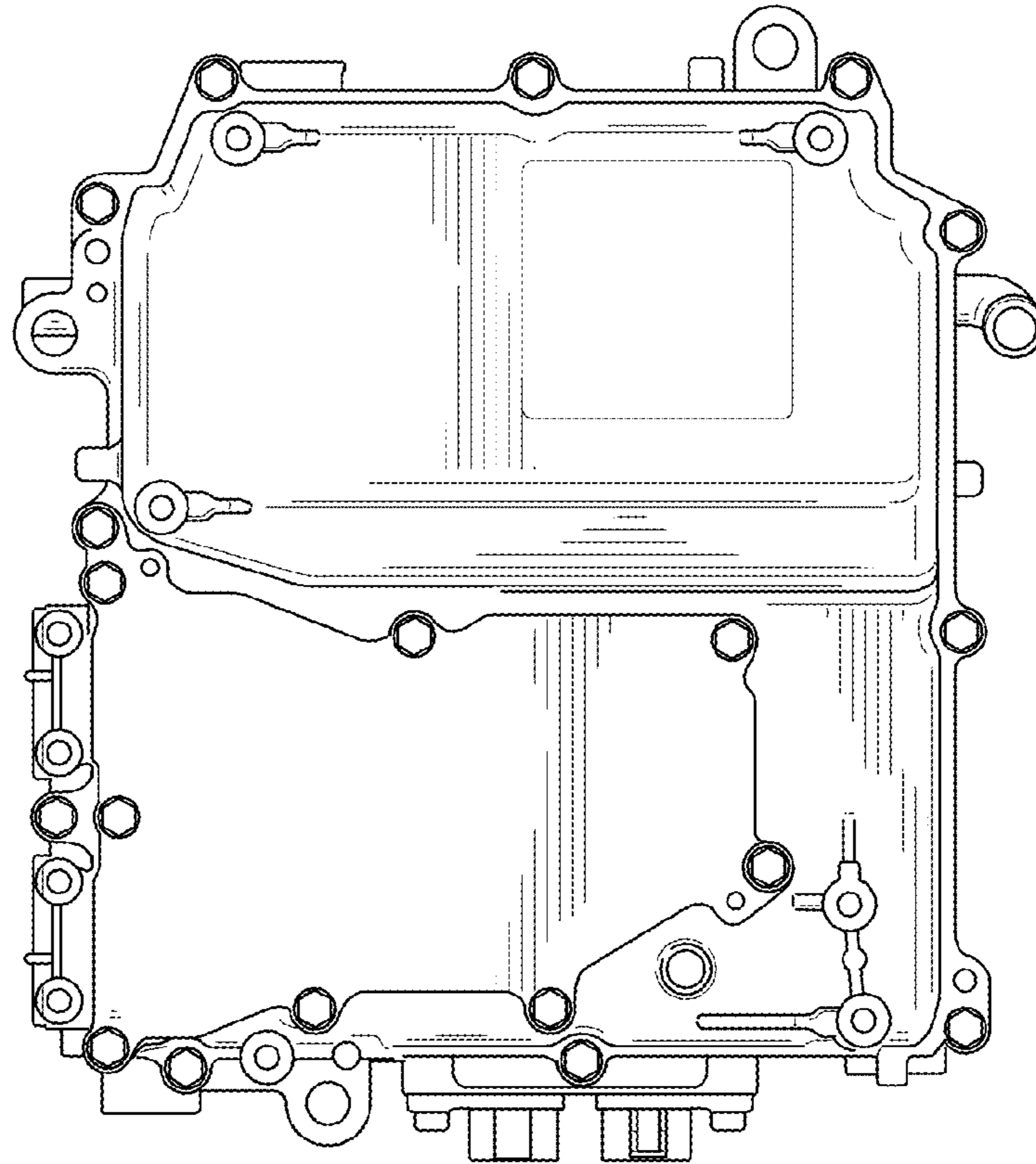


FIG. 3

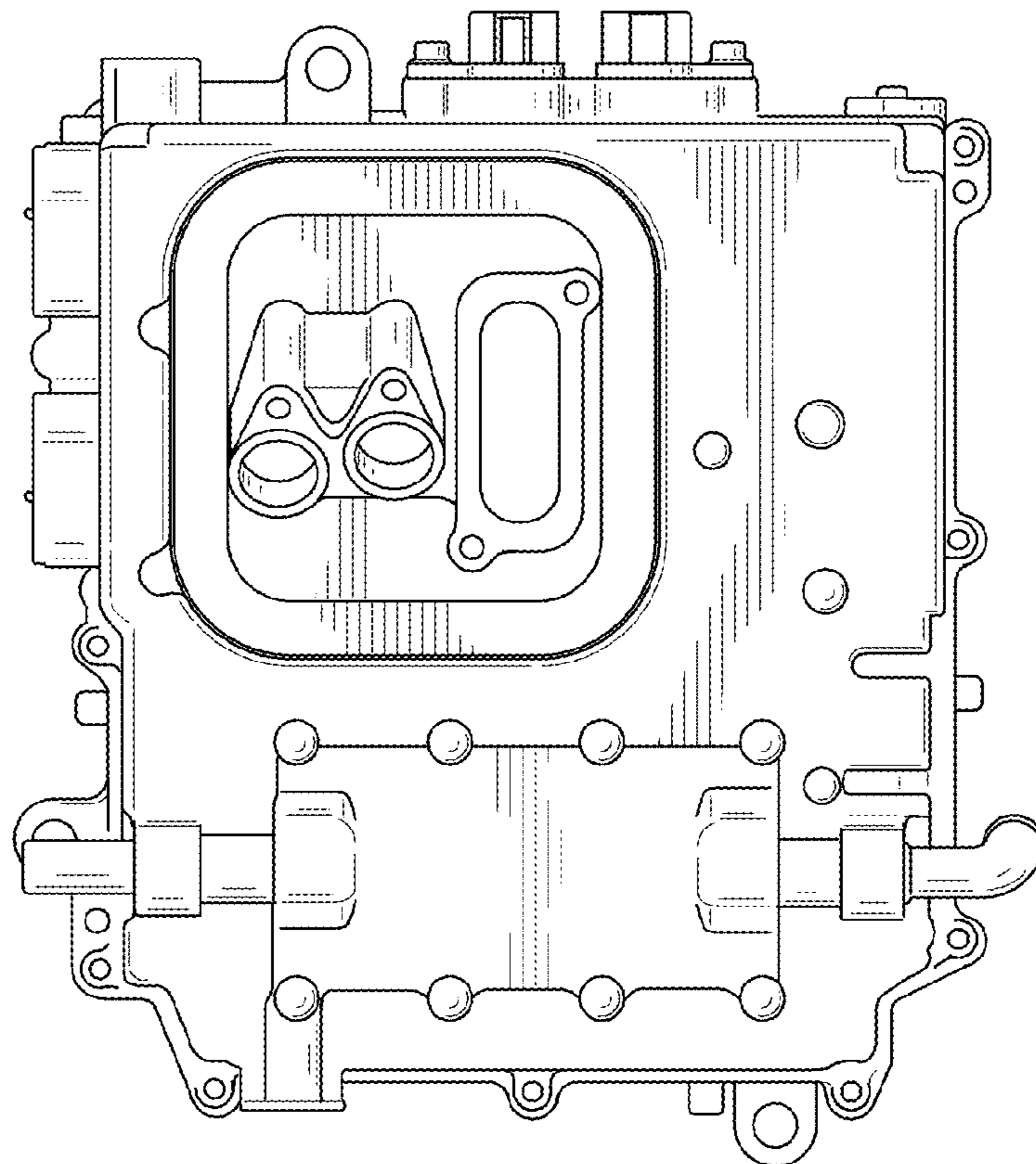


FIG. 4

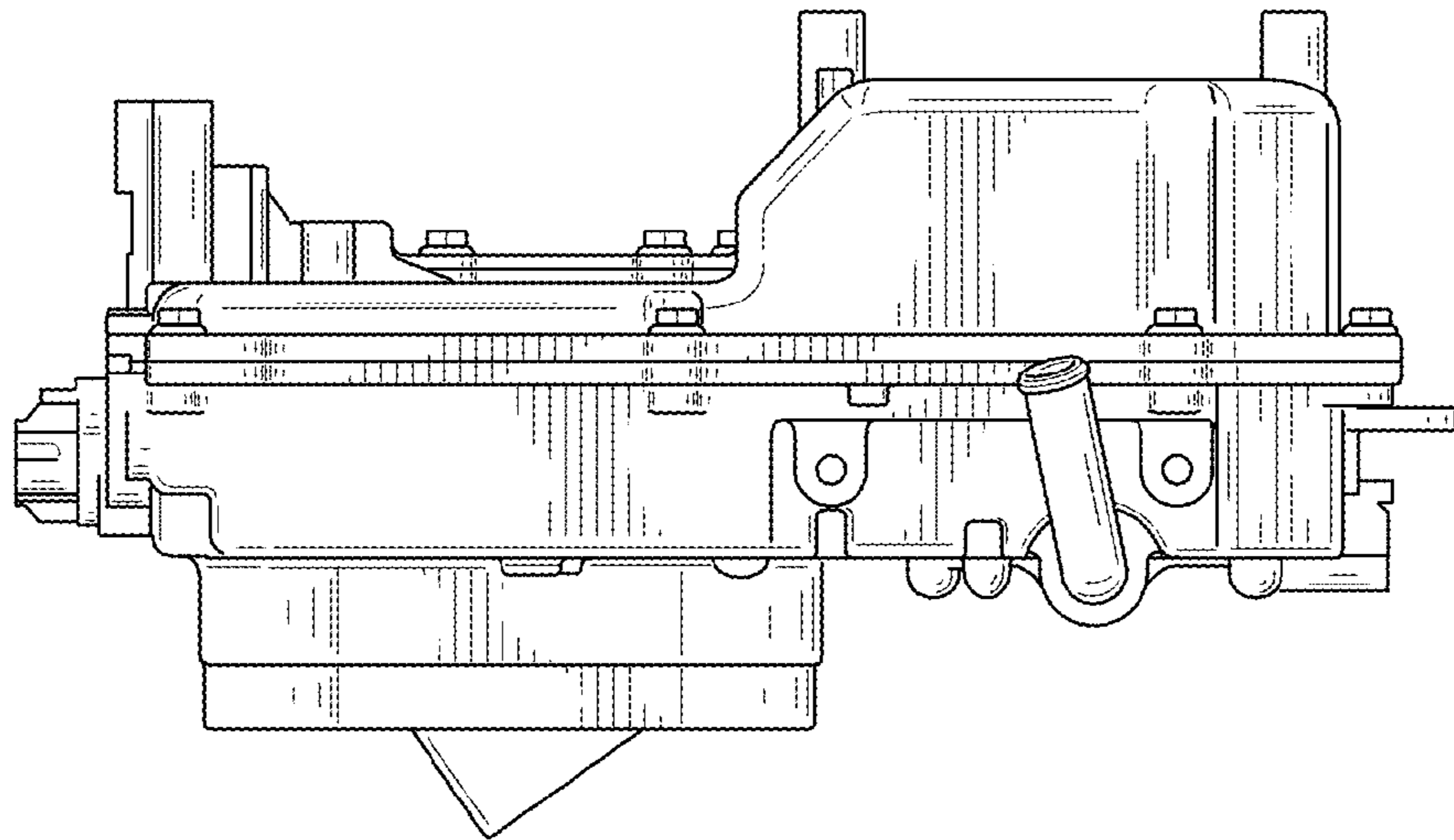


FIG. 5

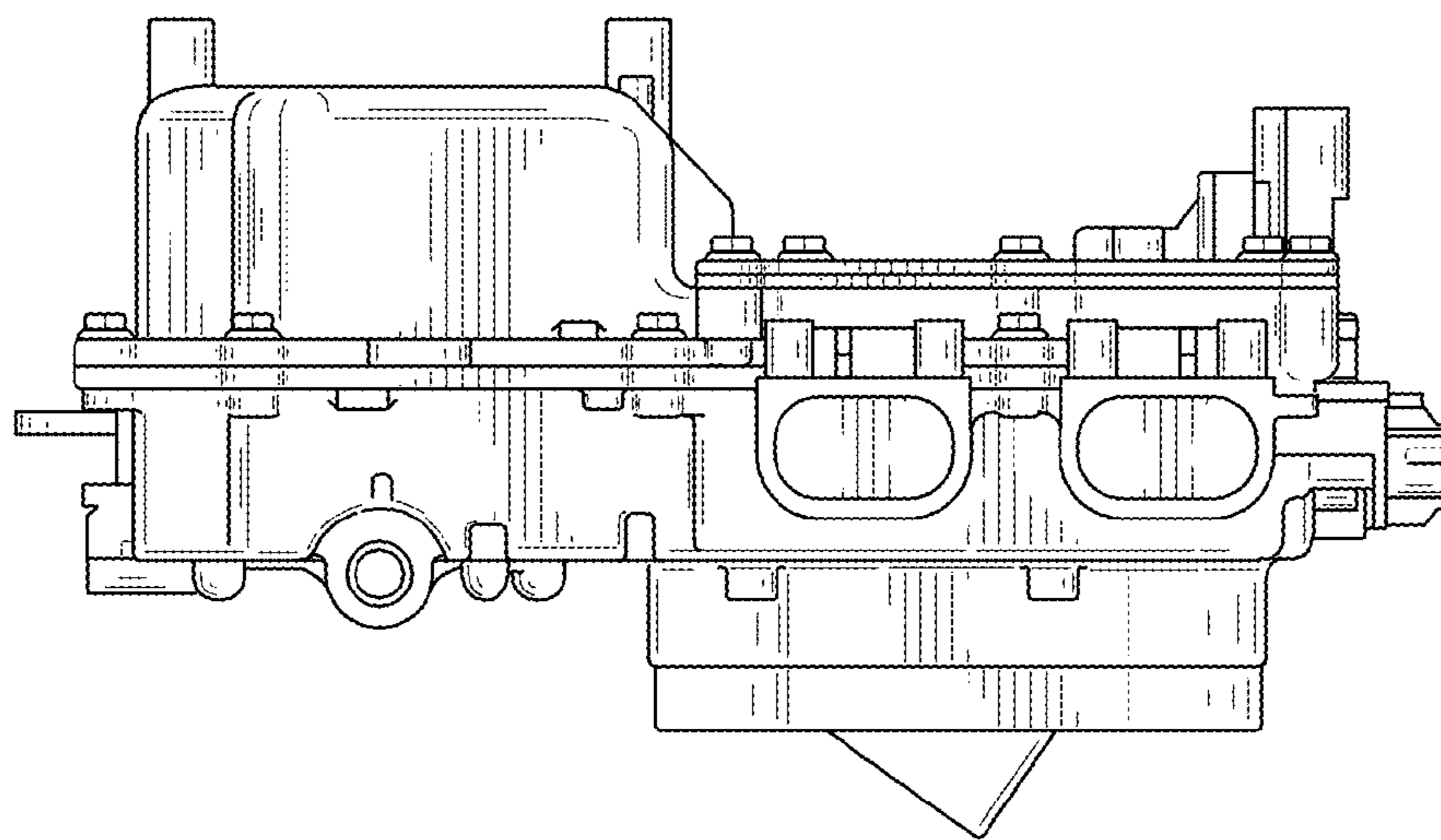


FIG. 6

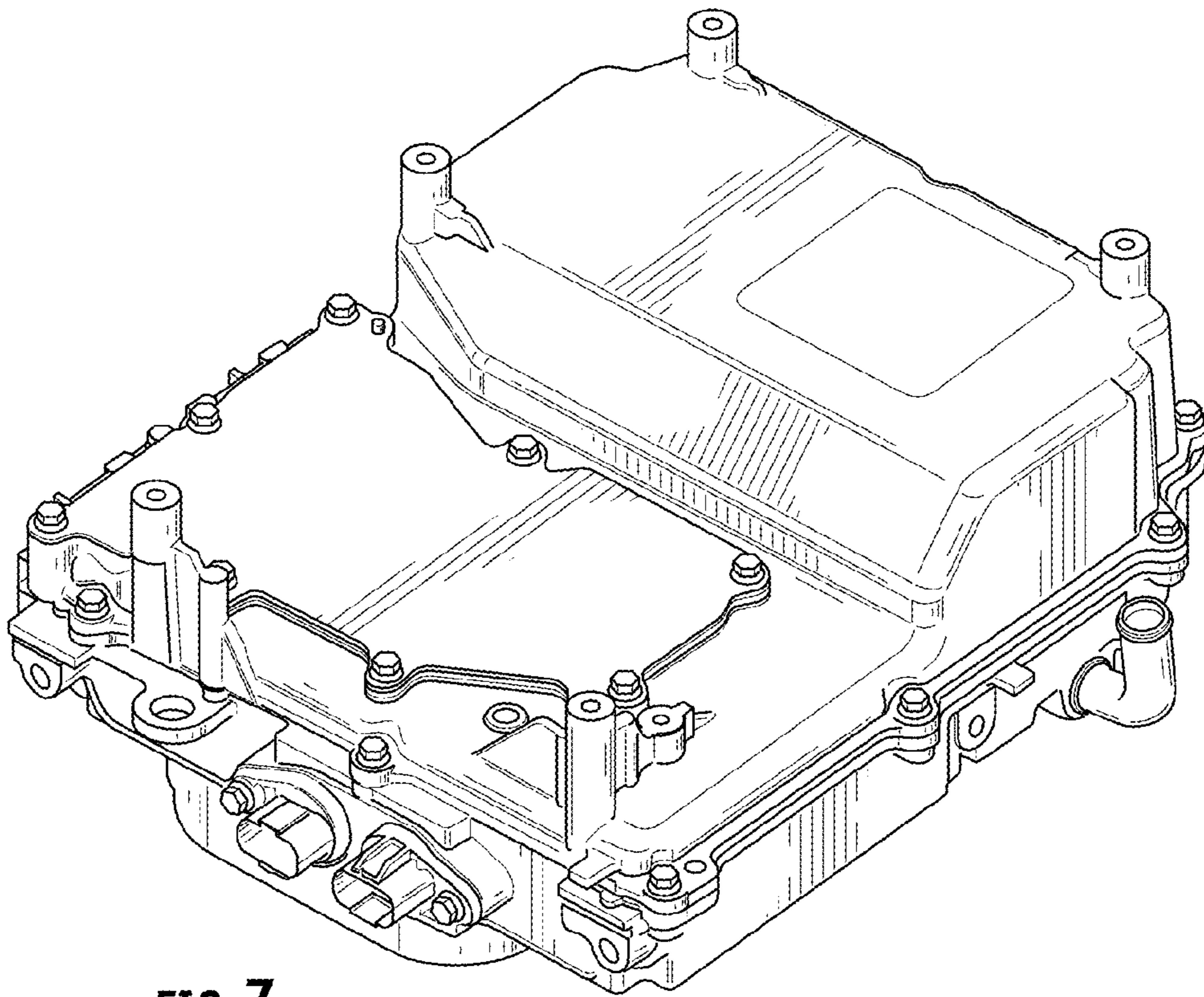


FIG. 7

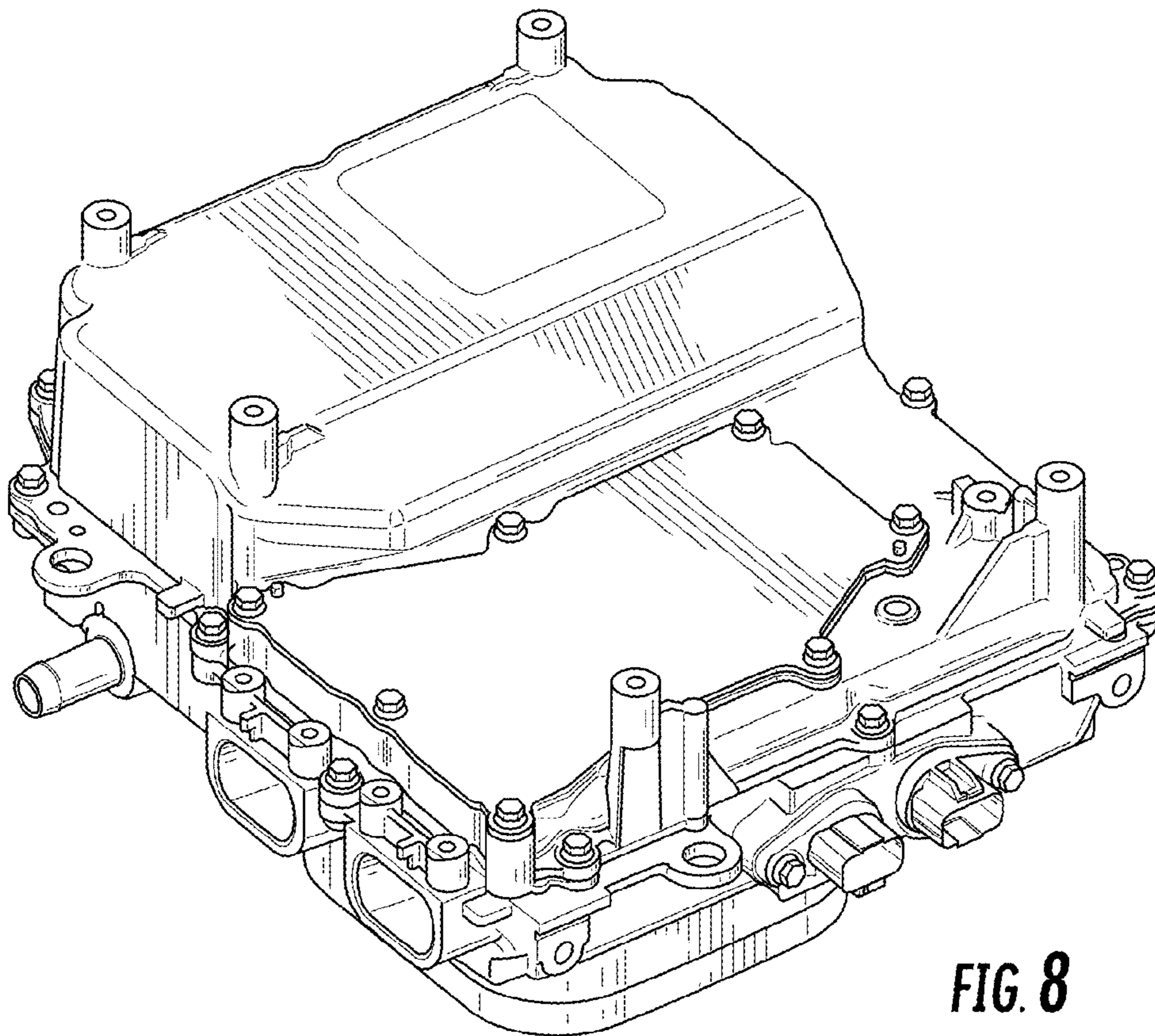


FIG. 8

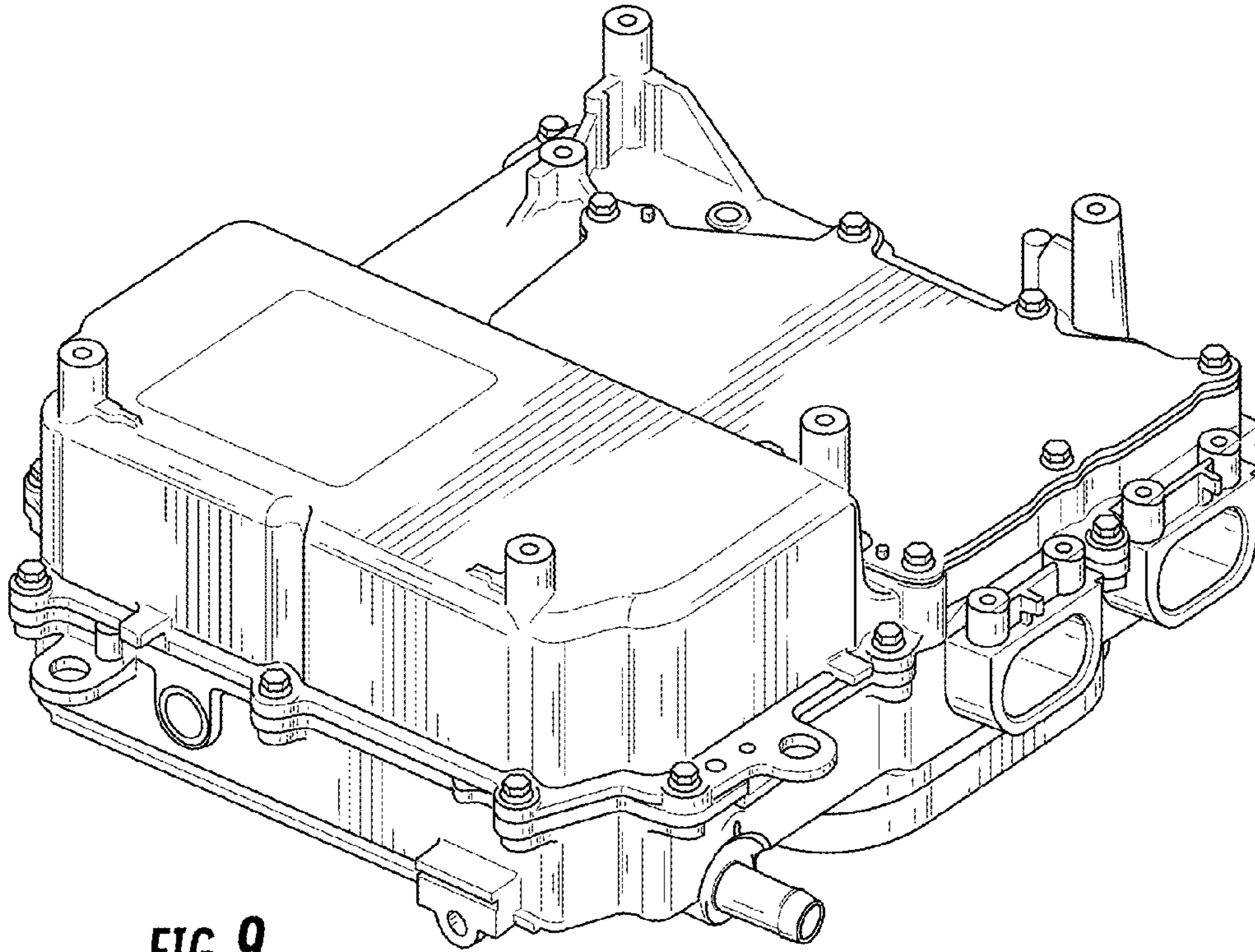


FIG. 9

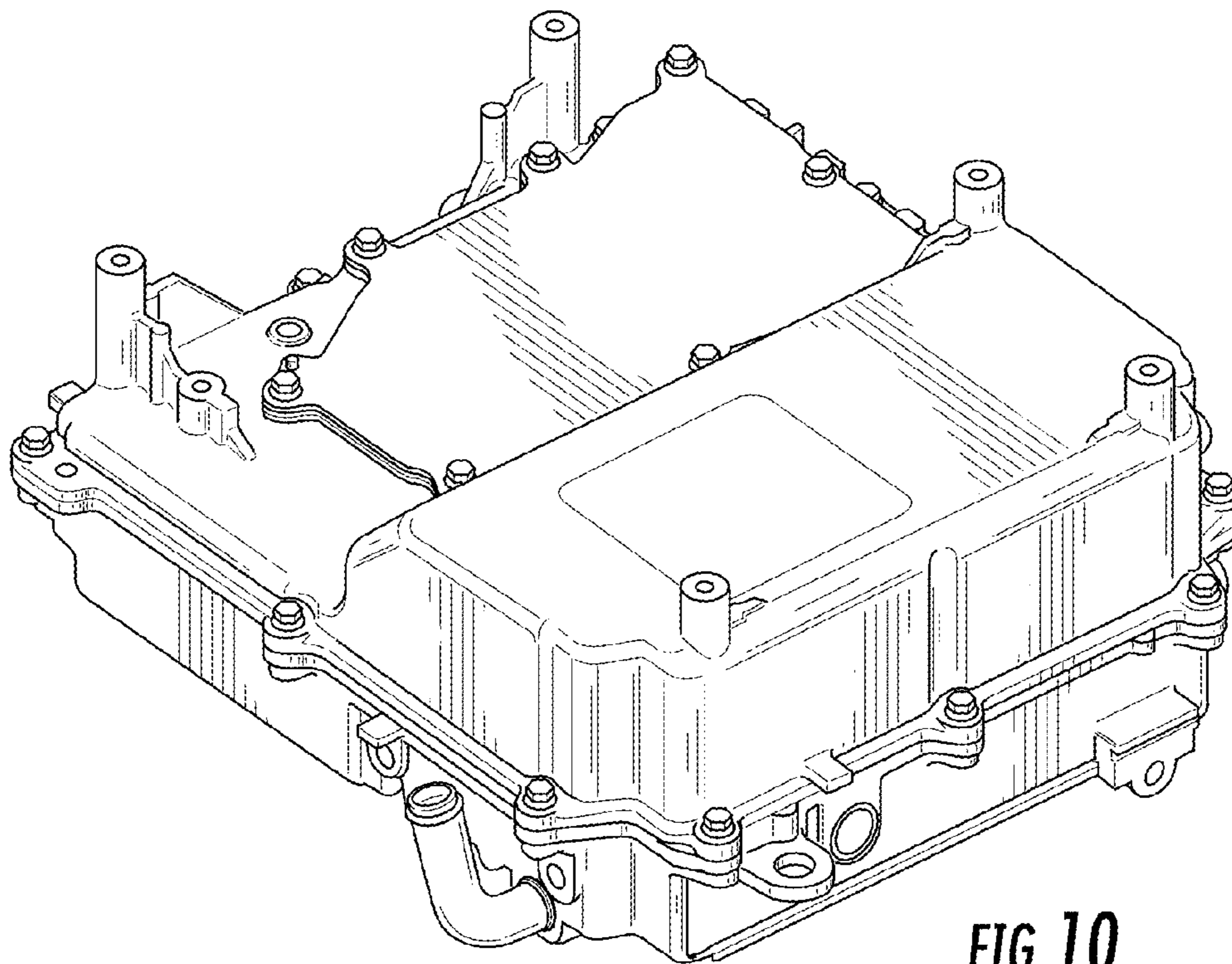


FIG. 10

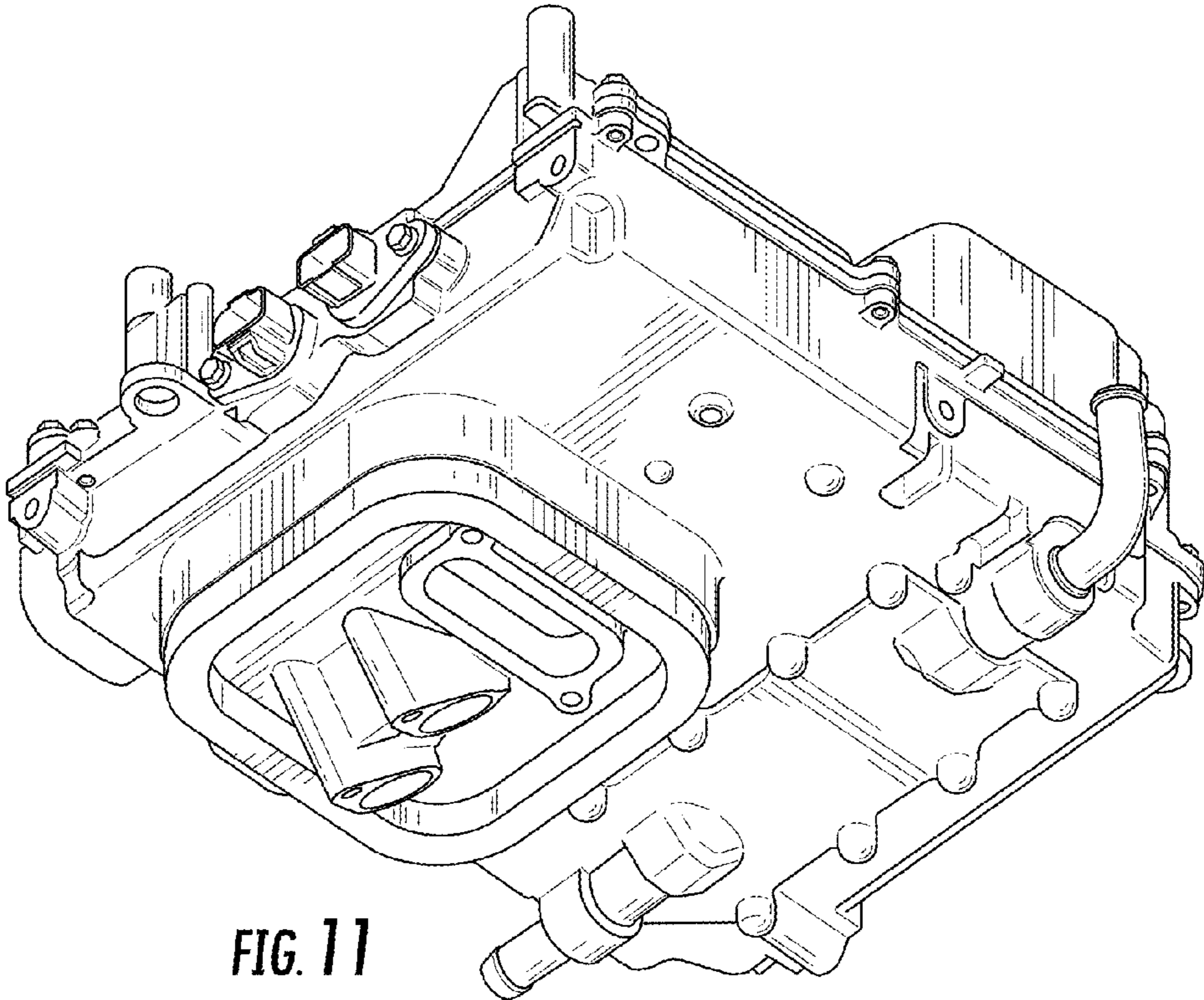


FIG. 11

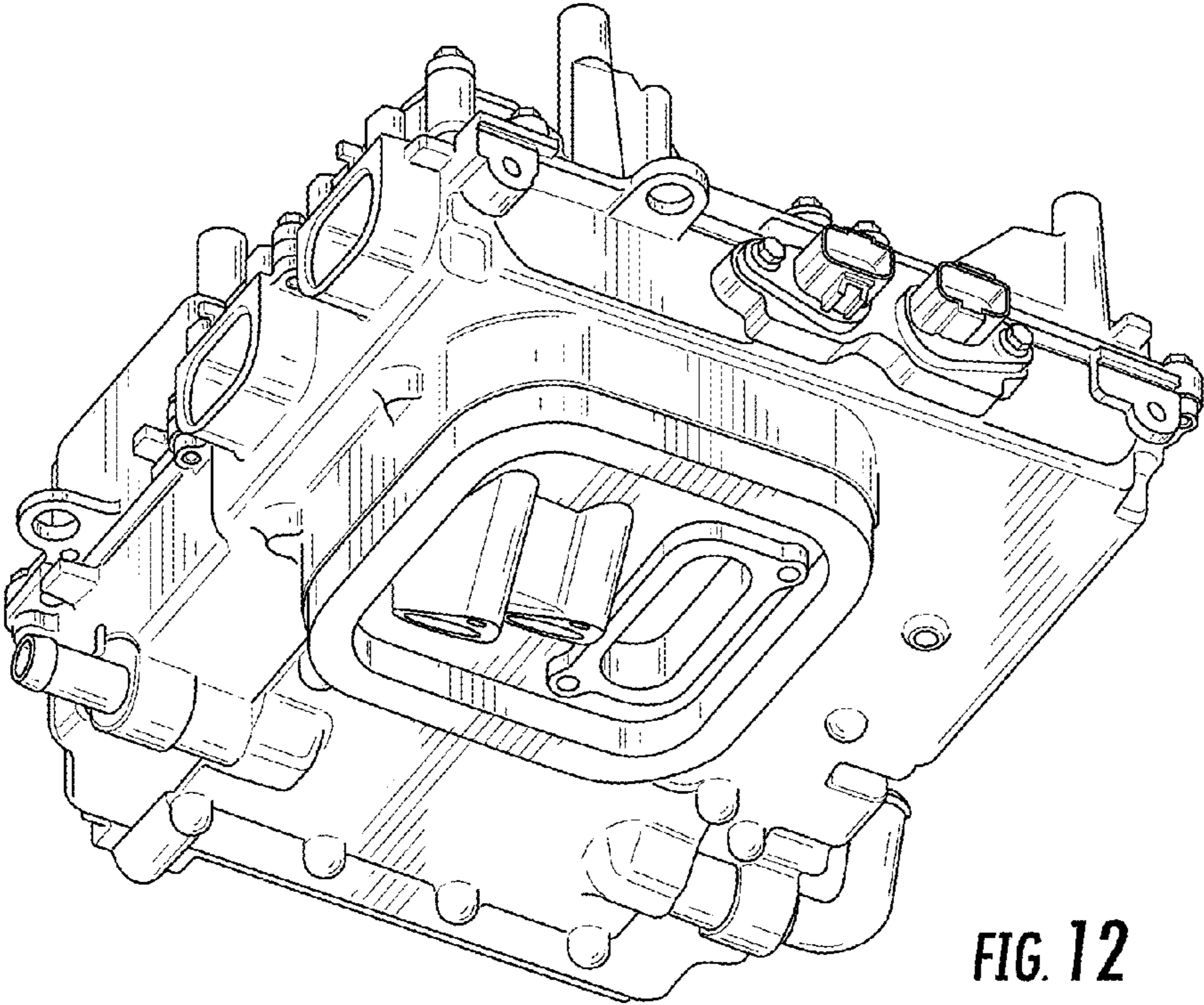


FIG. 12

