



US00D716718S

(12) **United States Design Patent**
Kato

(10) **Patent No.:** **US D716,718 S**
(45) **Date of Patent:** **** Nov. 4, 2014**

(54) **TREAD PORTION OF AN AUTOMOBILE TIRE**

(75) Inventor: **Keiichi Kato**, Tokyo (JP)

(73) Assignee: **Bridgestone Corporation**, Tokyo (JP)

(**) Term: **14 Years**

(21) Appl. No.: **29/417,986**

(22) Filed: **Apr. 11, 2012**

(30) **Foreign Application Priority Data**

Apr. 4, 2012 (JP) 2012-007950

(51) **LOC (10) Cl.** **12-15**

(52) **U.S. Cl.**
USPC **D12/514**

(58) **Field of Classification Search**
USPC D12/500-532, 900-901;
152/209.1-209.9, 209.11-209.19,
152/209.21-209.28, 455
See application file for complete search history.

(56) **References Cited**

U.S. PATENT DOCUMENTS

D324,839 S *	3/1992	Maxwell et al.	D12/514
D328,443 S *	8/1992	Maxwell et al.	D12/514
D333,643 S *	3/1993	Maxwell	D12/514
D347,815 S *	6/1994	Montag et al.	D12/514
D350,717 S *	9/1994	Maxwell et al.	D12/514
D355,154 S *	2/1995	Croyle et al.	D12/514
D379,341 S *	5/1997	Ratliff, Jr.	D12/514
D398,886 S *	9/1998	Brown et al.	D12/514
D409,959 S *	5/1999	Maxwell	D12/514
D451,442 S *	12/2001	Maxwell	D12/514
D473,842 S *	4/2003	Ratliff, Jr.	D12/514
D503,372 S *	3/2005	Poling et al.	D12/514

D551,612 S *	9/2007	Maxwell et al.	D12/532
D640,182 S *	6/2011	Kiwaki	D12/518
D674,735 S *	1/2013	Kato	D12/514
D677,615 S *	3/2013	Hashimoto et al.	D12/517
D689,428 S *	9/2013	Kiwaki et al.	D12/514

OTHER PUBLICATIONS

Japanese Design Gazette dated Oct. 15, 2012 issued in the counterpart Japanese Design Application No. D2012-7950.
JPO Design Division Prior Art Ref. No. HN06011553, 2 pages, 1994.
JPO Design Division Prior Art Ref. No. HN08020730, 1 page, 1996.
International Design Registration No. DM/056045, Goodyear Tire & Rubber, 2 pages, May 14, 2001.

* cited by examiner

Primary Examiner — Stacia Cadmus

(74) *Attorney, Agent, or Firm* — Sughrue Mion, PLLC

(57) **CLAIM**

The ornamental design for a tread portion of an automobile tire, as shown and described.

DESCRIPTION

FIG. 1 is a perspective view of a tread portion of an automobile tire that comprises my invention;
FIG. 2 is a front side thereof;
FIG. 3 is a top view thereof;
FIG. 4 is a right side view thereof;
FIG. 5 is a left side view thereof;
FIG. 6 is a rear view thereof;
FIG. 7 is a fragmentary enlarged front view showing the details of the tread portion thereof;
FIG. 8 is a section view taken along line 8-8 in FIG. 7 thereof;
and,
FIG. 9 is a section view taken along line 9-9 in FIG. 7 thereof.
Broken lines in the drawing figures are used to show portions of the tire that are not being claimed, and thus form no part of the claimed invention.

1 Claim, 9 Drawing Sheets

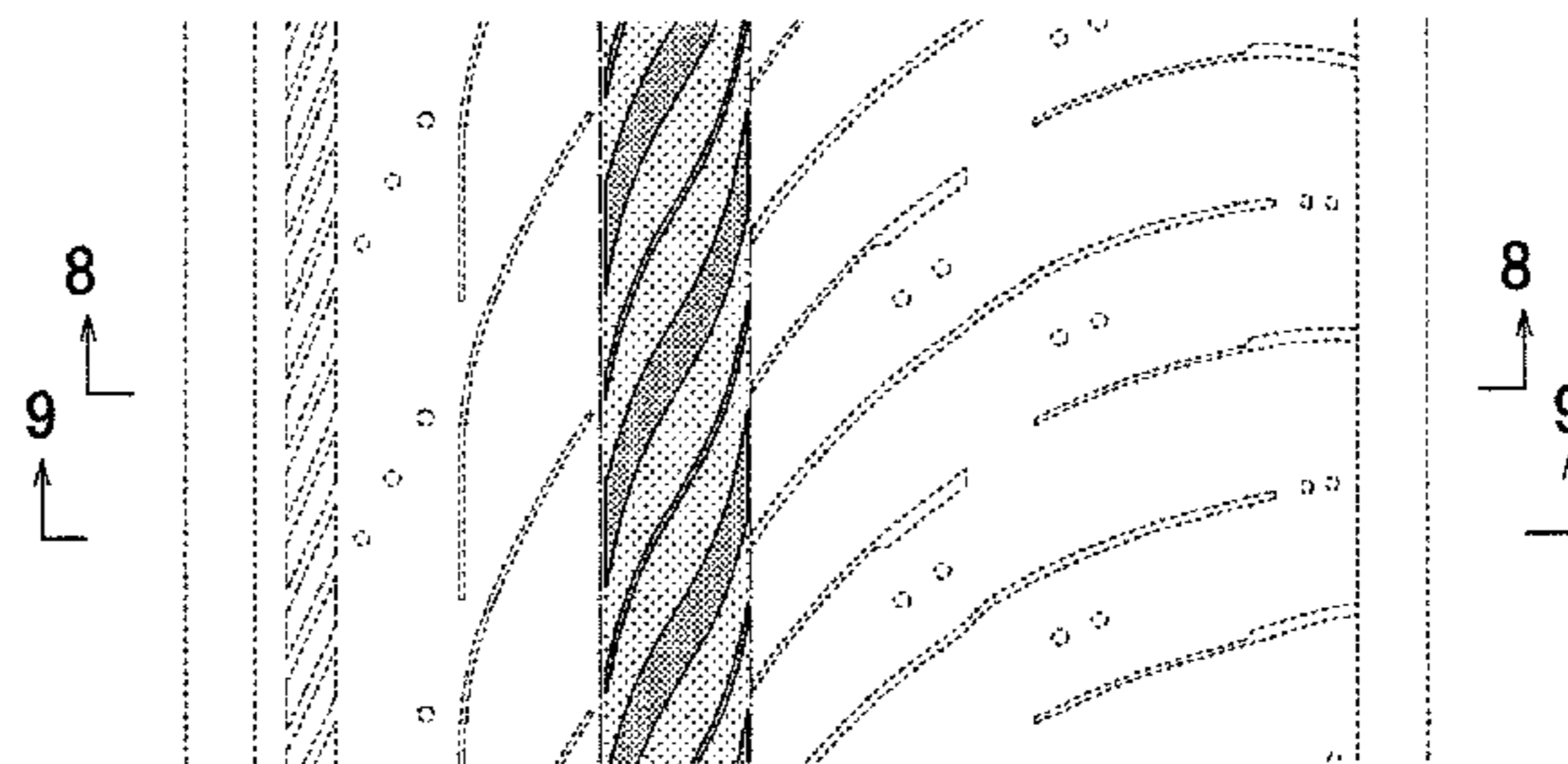
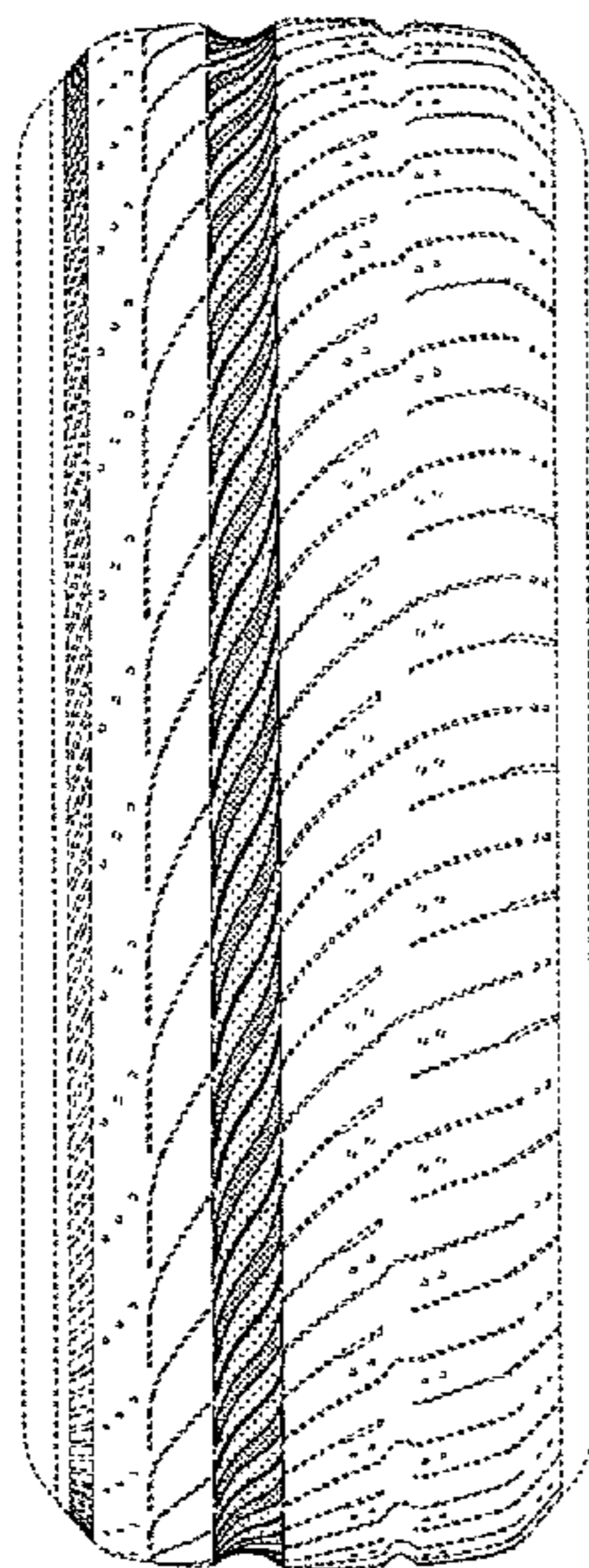


Fig. 1

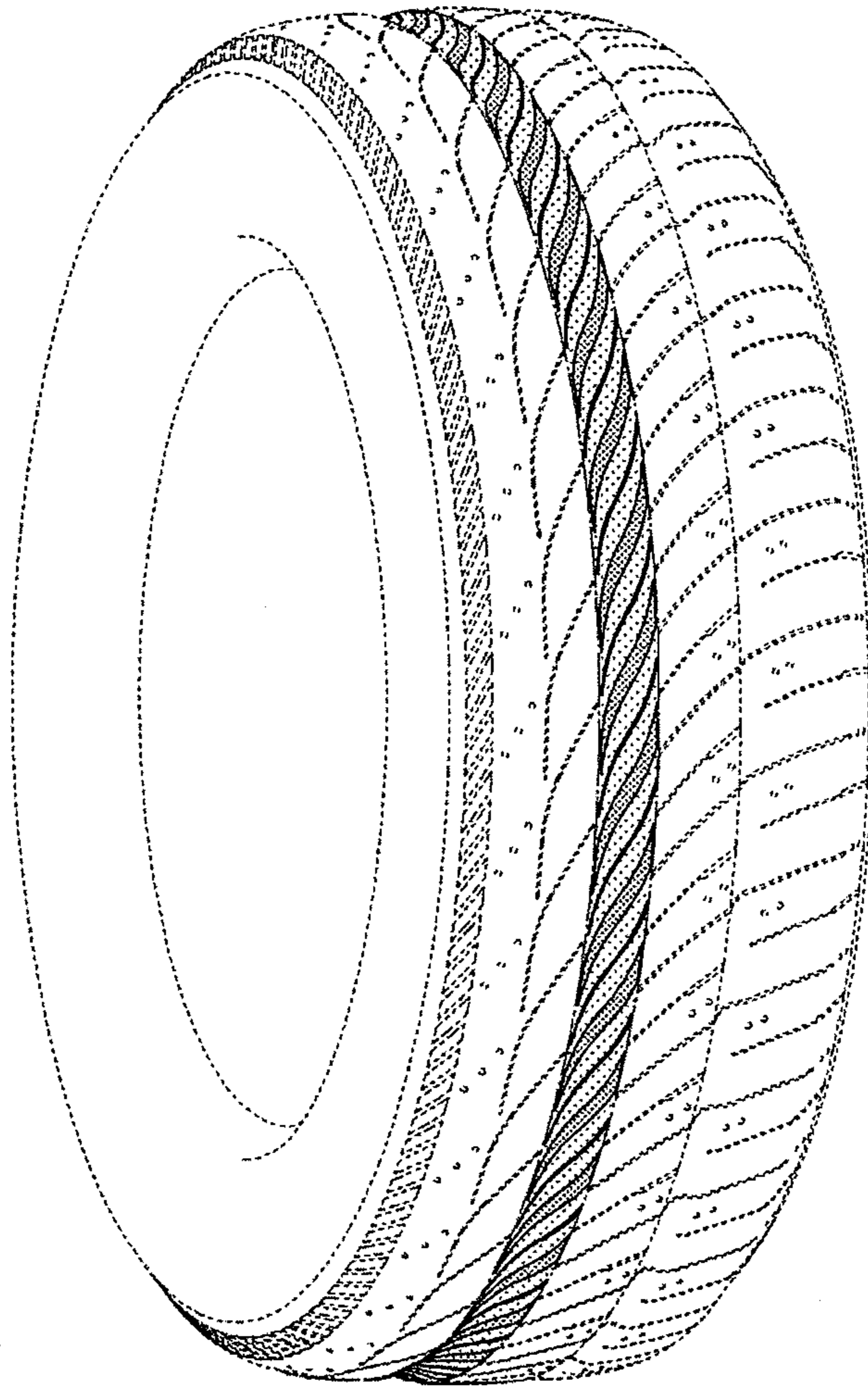


Fig. 2

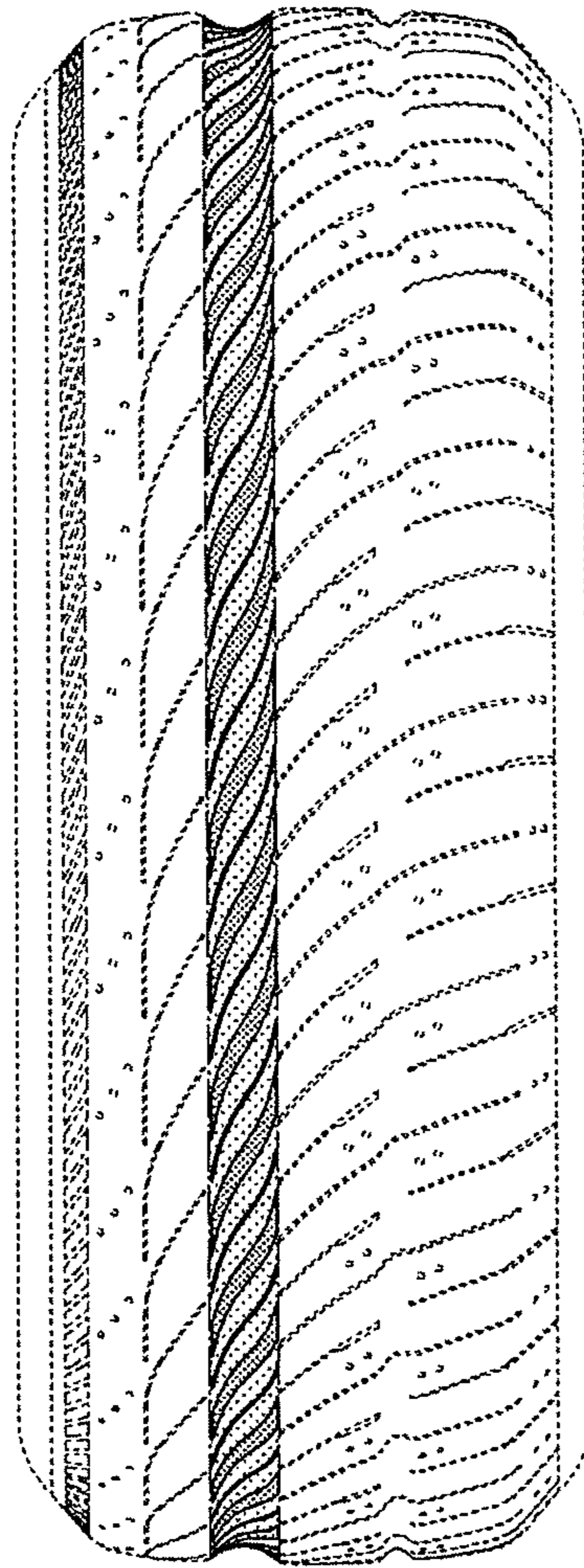


Fig. 3

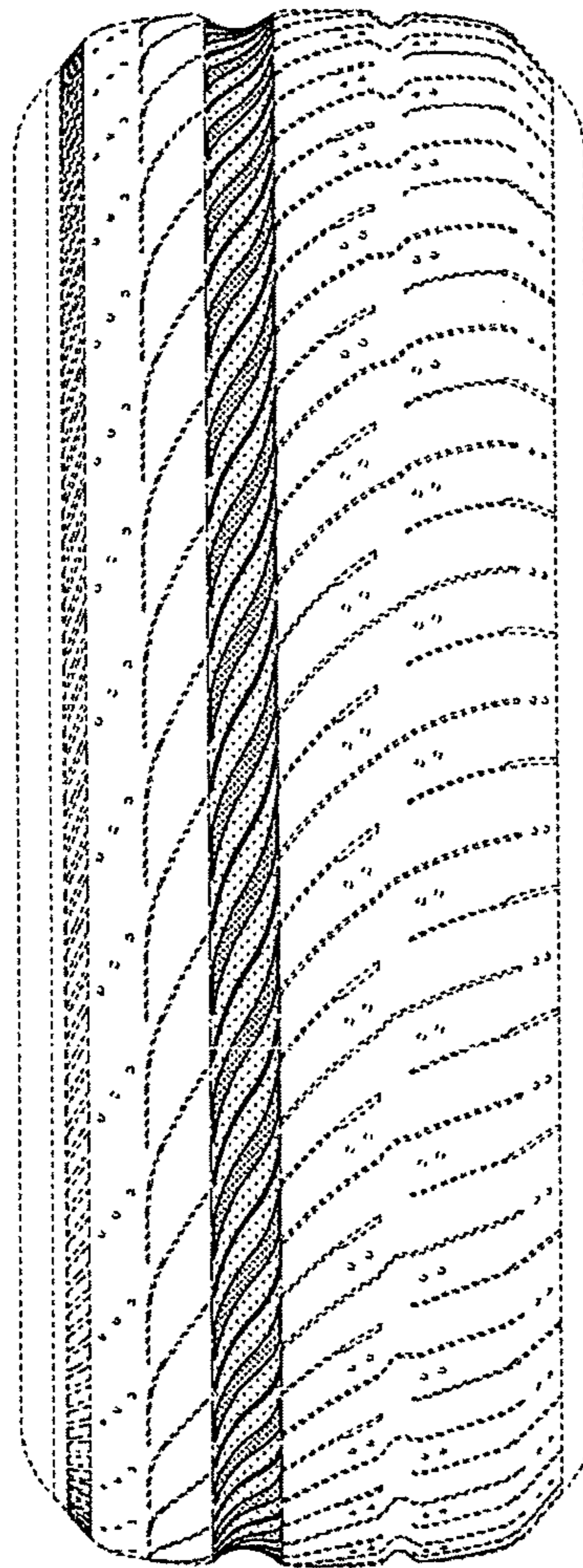


Fig. 4

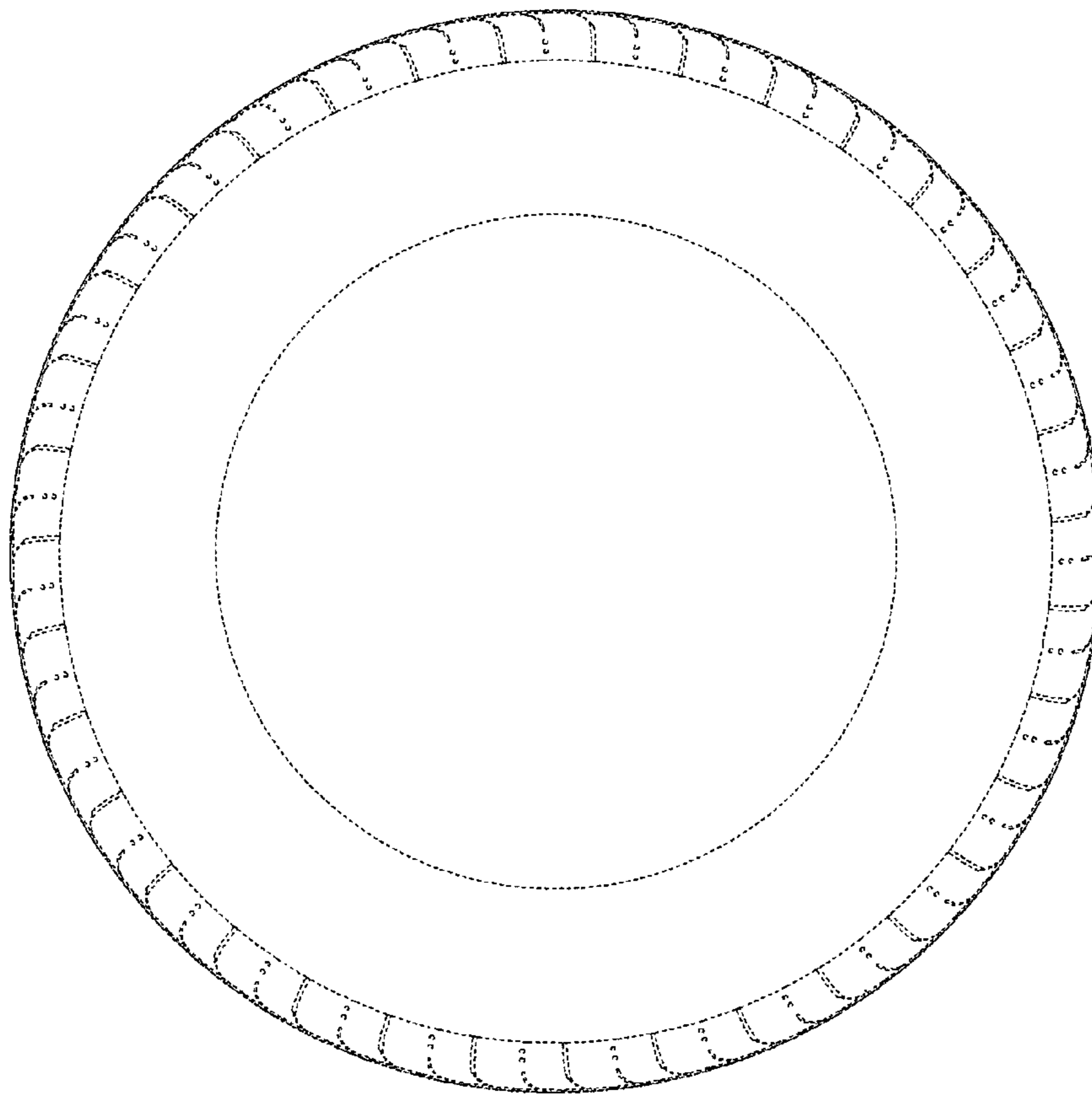


Fig. 5

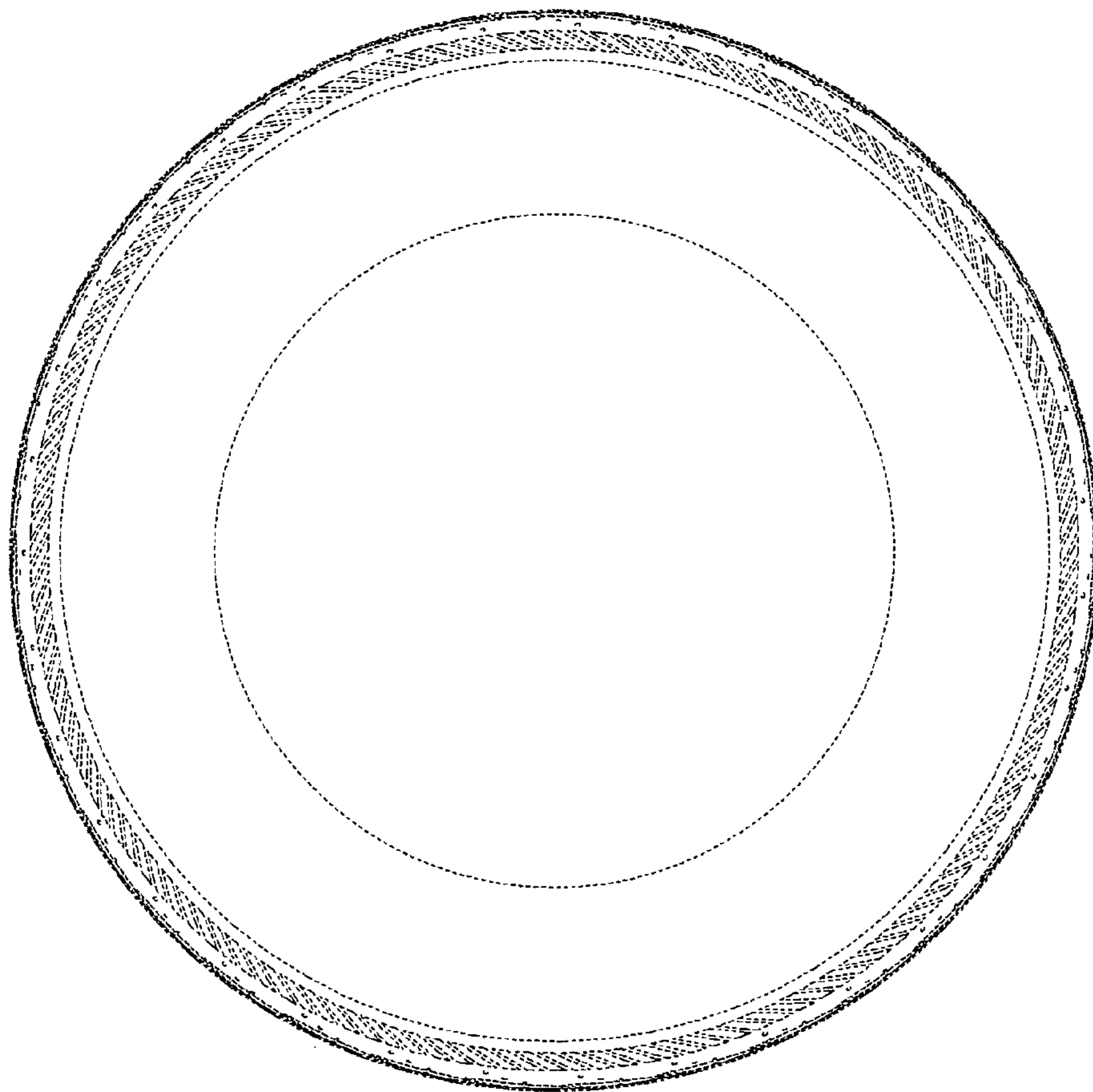


Fig. 6

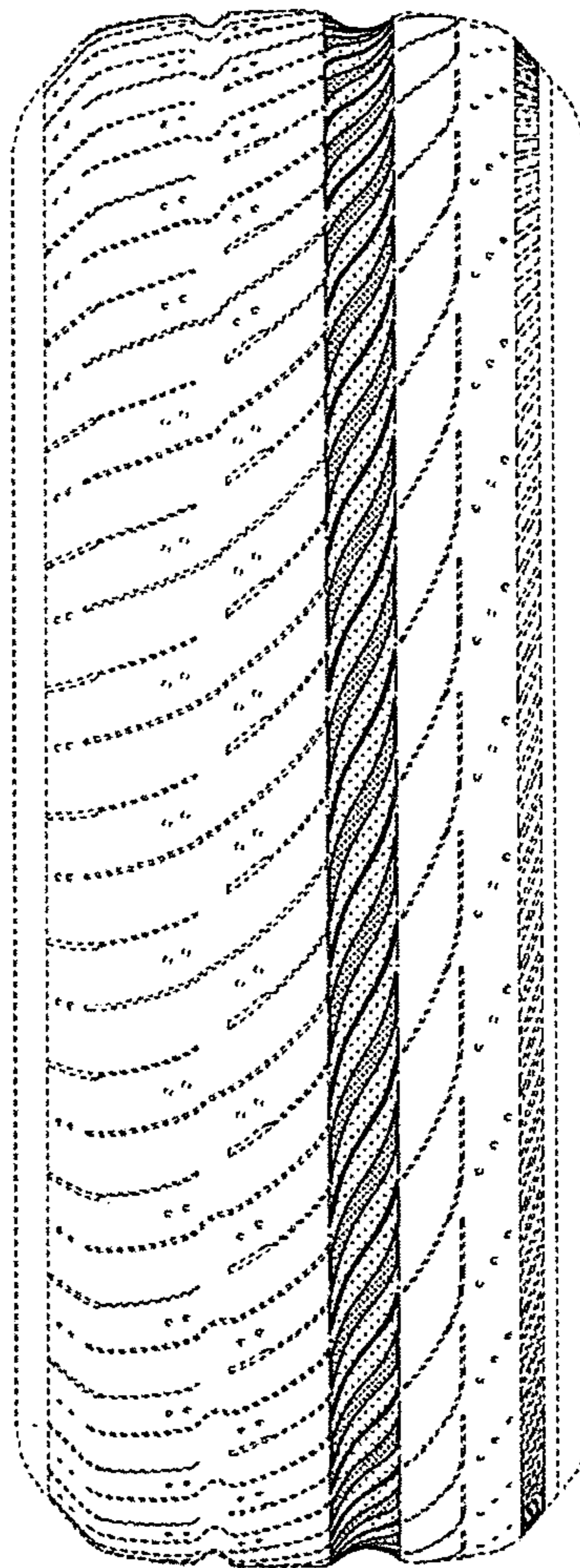


Fig. 7

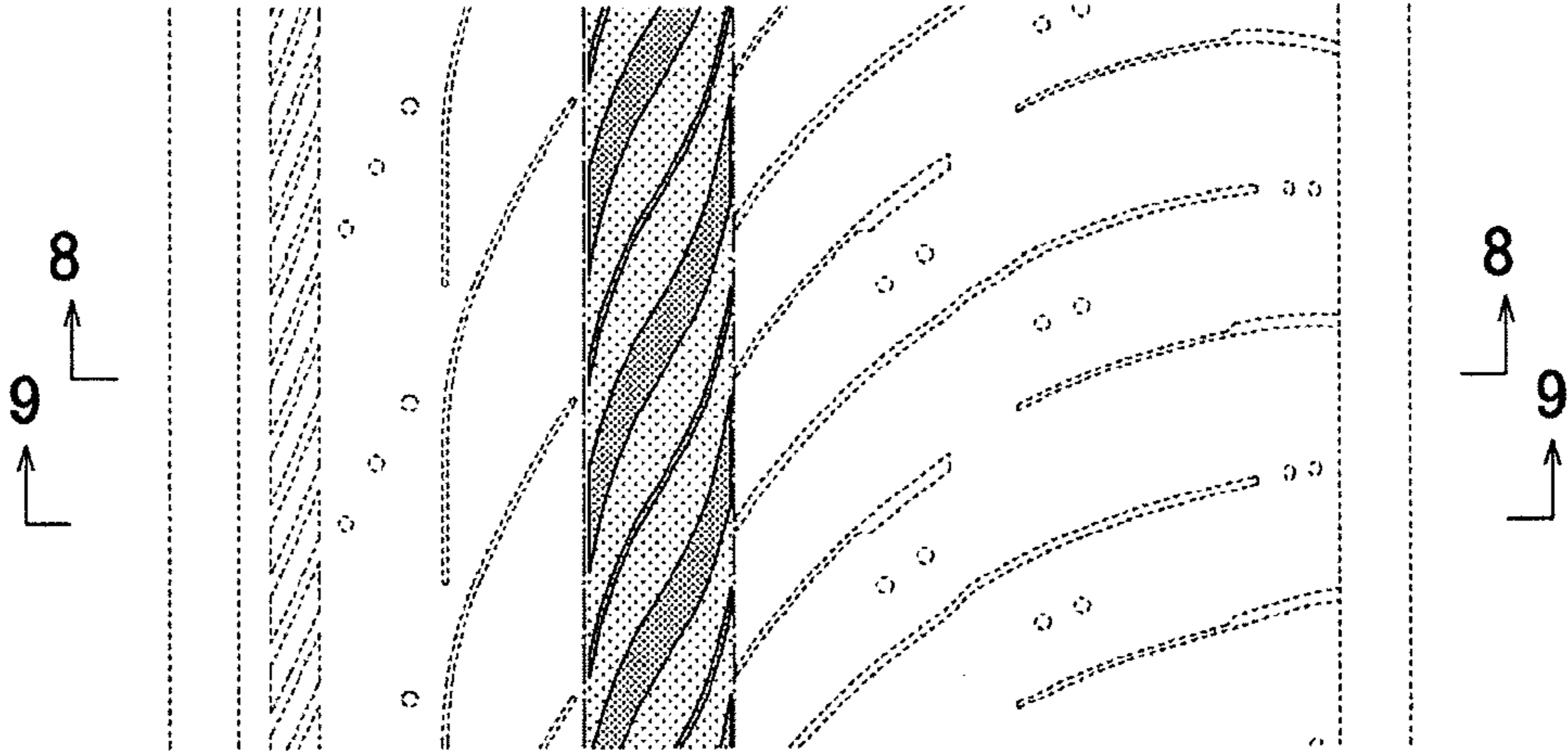


Fig. 8

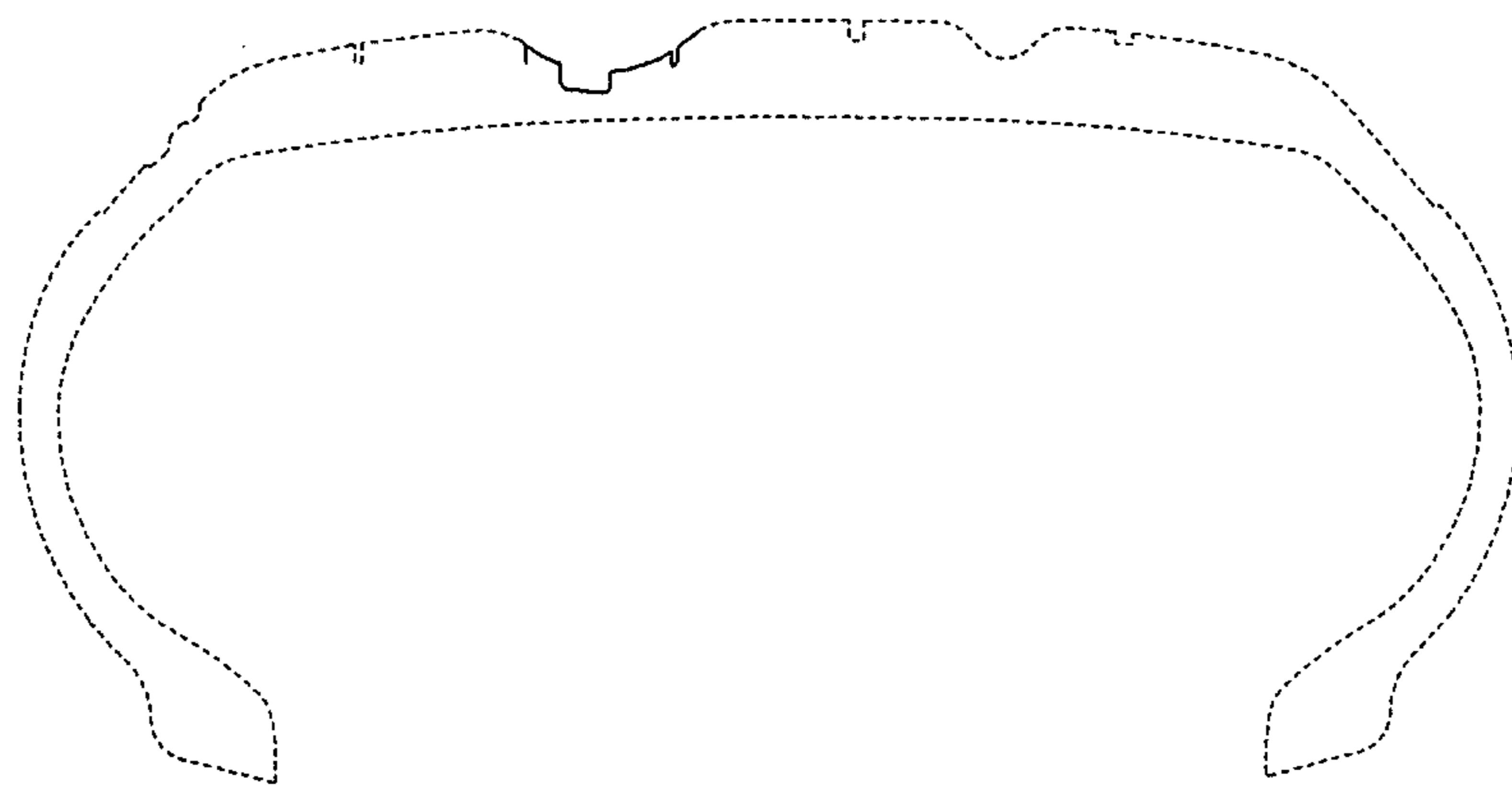


Fig. 9

