

US00D716717S

(12) **United States Design Patent**
Swartzel et al.

(10) **Patent No.:** **US D716,717 S**

(45) **Date of Patent:** **** Nov. 4, 2014**

(54) **COMBINED CAR TISSUE AND TRASH BIN**

(71) Applicants: **Elizabeth Ann Swartzel**, Columbus, OH (US); **Suzana Eliana Araujo Clow**, Columbus, OH (US)

(72) Inventors: **Elizabeth Ann Swartzel**, Columbus, OH (US); **Suzana Eliana Araujo Clow**, Columbus, OH (US)

(73) Assignee: **Thirty-One Gifts LLC**, Columbus, OH (US)

(**) Term: **14 Years**

(21) Appl. No.: **29/461,543**

(22) Filed: **Jul. 24, 2013**

(51) **LOC (10) Cl.** **03-01**

(52) **U.S. Cl.**
USPC **D12/416; D3/299**

(58) **Field of Classification Search**
USPC D3/216, 217, 232, 231, 276-289, 226, D3/225, 230, 290, 291, 299, 301, 218, 304, D3/307, 308, 309, 274, 243, 215; D7/605, D7/607, 705, 706, 113, 114; D12/416, D12/415, 423; D9/734; D6/519; 150/100, 150/103, 104, 105, 106, 107, 108, 109, 110, 150/118, 119; 190/100-127, 903, 902, 190/18 A; 206/316.1, 316.2, 316.3; 224/600-659; D34/7, 11

See application file for complete search history.

(56) **References Cited**

U.S. PATENT DOCUMENTS

2,822,013 A * 2/1958 Renz 190/126
3,014,759 A * 12/1961 Bing 297/188.06

D262,422 S * 12/1981 Ortiz et al. D3/273
D293,506 S * 1/1988 Kappel et al. D3/268
D308,916 S * 7/1990 Dinham D12/416
5,411,192 A * 5/1995 Xiao 224/153
D377,415 S * 1/1997 Jacobs et al. D3/206
D387,249 S * 12/1997 Mogil D7/607
D434,954 S * 12/2000 Daw et al. D7/709
6,311,884 B1 * 11/2001 Johnson 224/627
D502,599 S * 3/2005 Cabana et al. D3/292
D600,443 S * 9/2009 Hinds D3/262
7,870,983 B2 * 1/2011 Chen 224/275
2005/0224568 A1 * 10/2005 Waugh 232/43.5
2008/0128460 A1 * 6/2008 Adler et al. 224/275

* cited by examiner

Primary Examiner — Jennifer Rivard

Assistant Examiner — April Rivas

(74) *Attorney, Agent, or Firm* — Porter, Wright, Morris & Arthur, LLP

(57) **CLAIM**

The ornamental design for a combined car tissue and trash bin, as shown and described.

DESCRIPTION

FIG. 1 is a perspective view of a front view of a combined car tissue and trash bin according to our new design;

FIG. 2 is a front view thereof;

FIG. 3 is a rear view thereof;

FIG. 4 is a top view thereof;

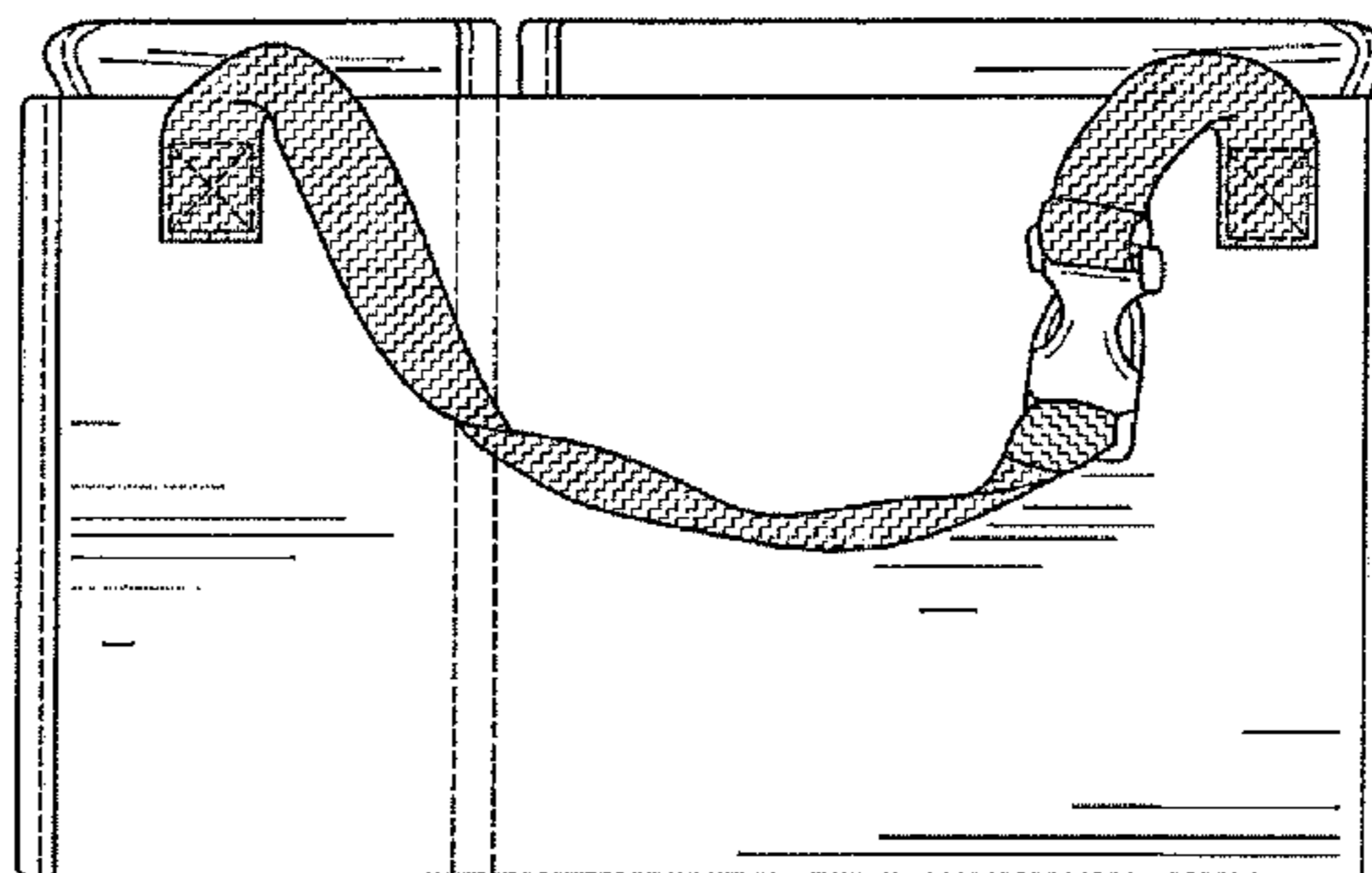
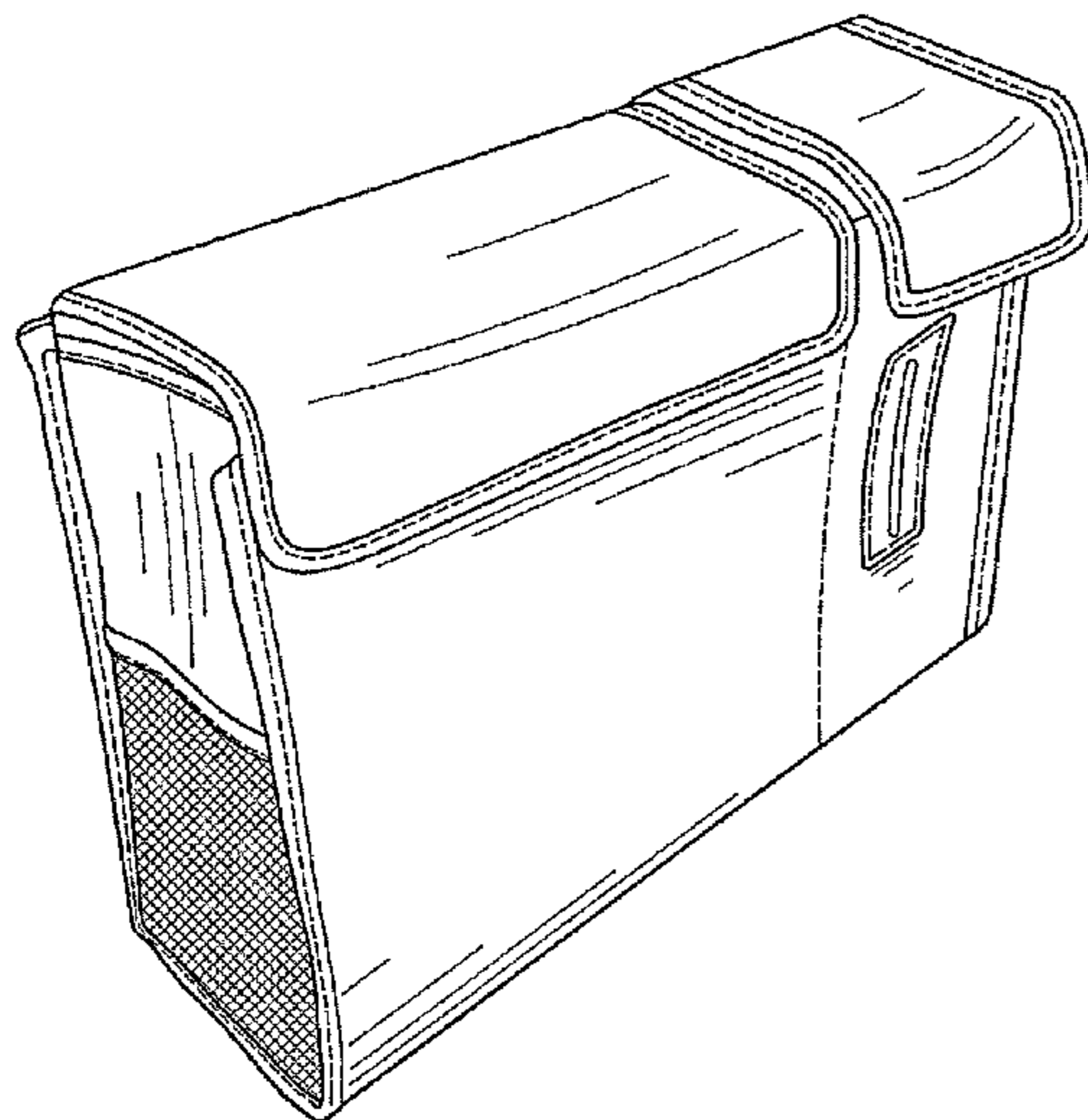
FIG. 5 is a bottom side view thereof;

FIG. 6 is a left side view thereof; and,

FIG. 7 is a right side view thereof.

The broken lines in the figures indicate stitching and form a part of the claimed design.

1 Claim, 3 Drawing Sheets



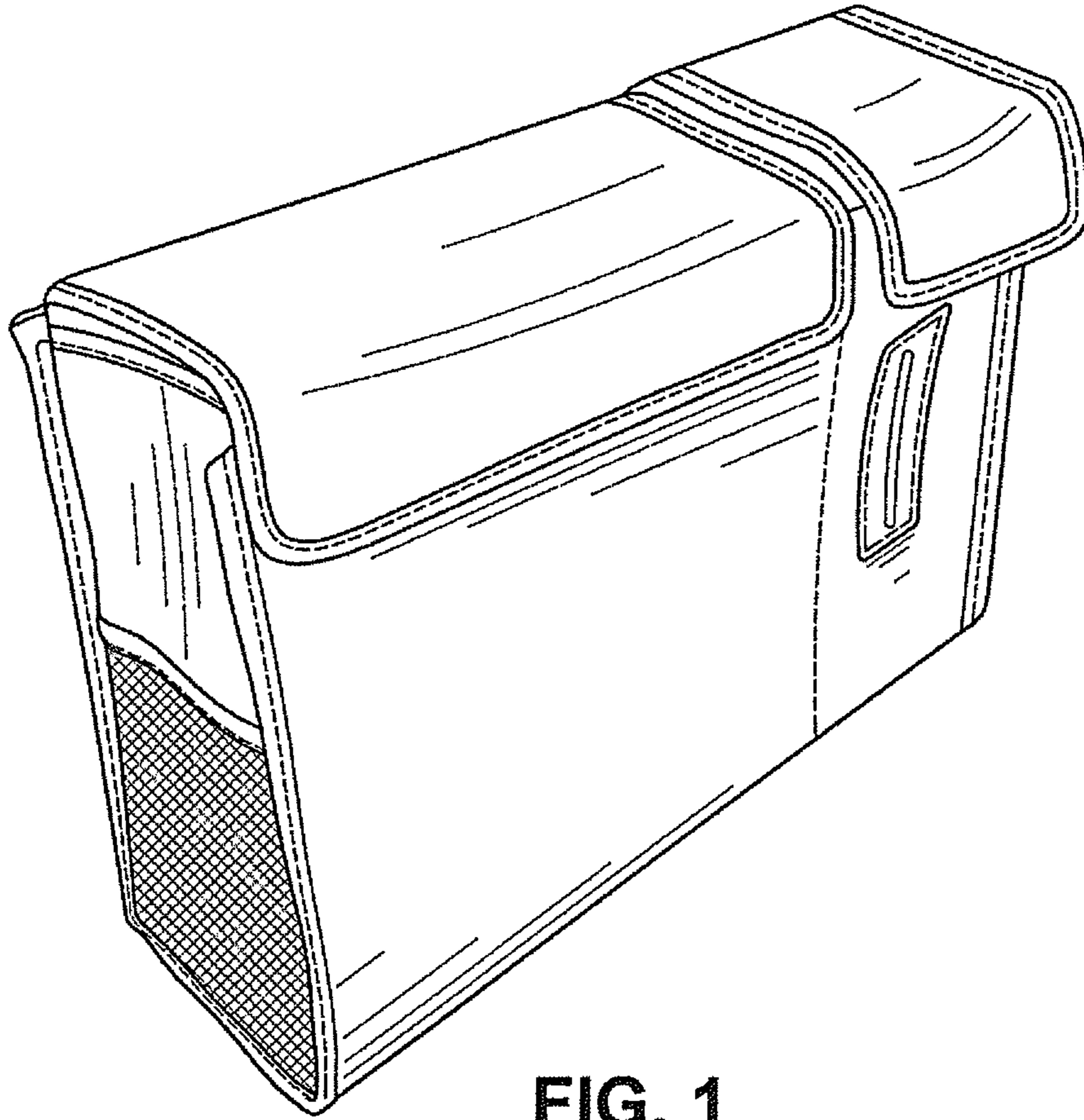


FIG. 1

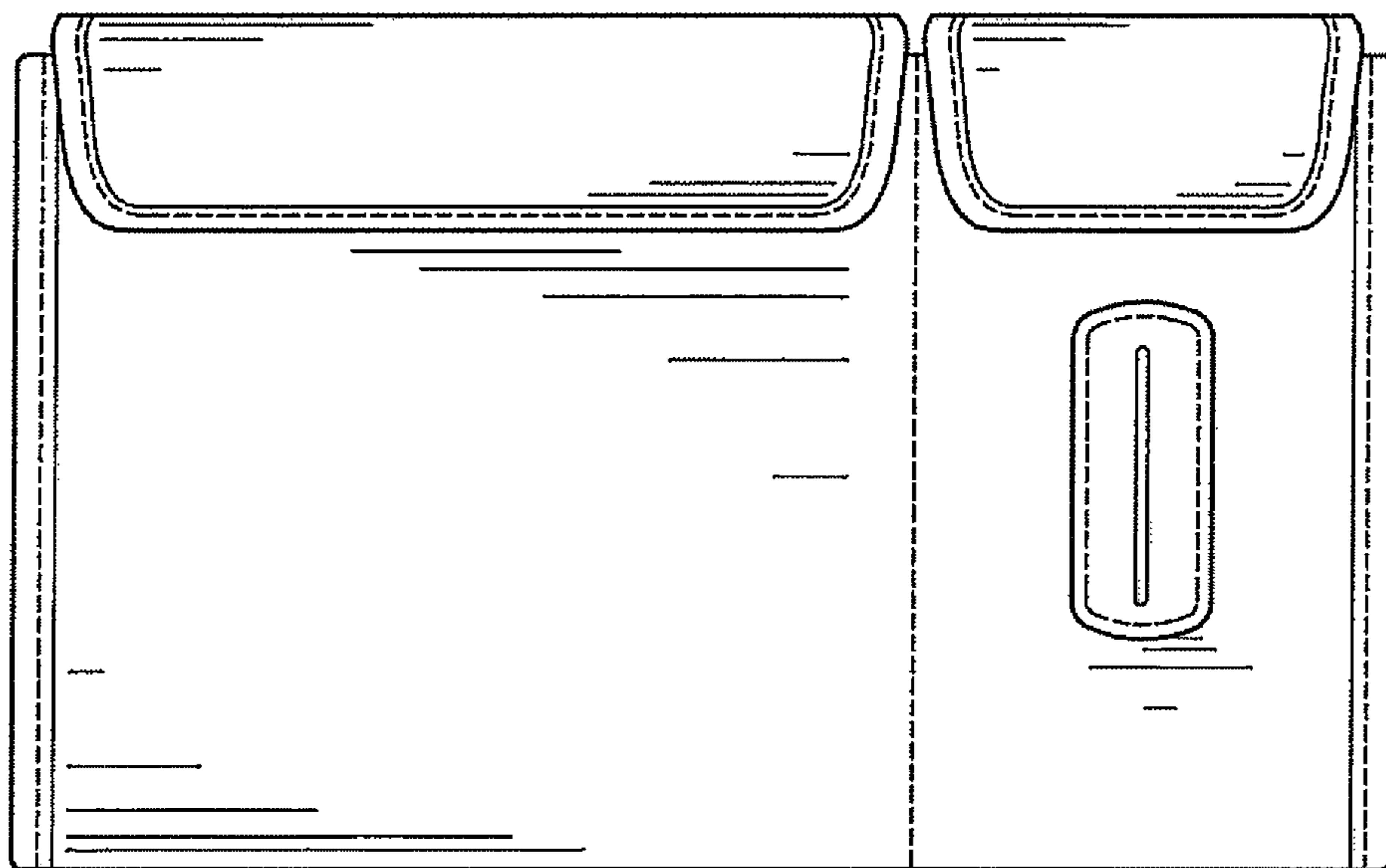


FIG. 2

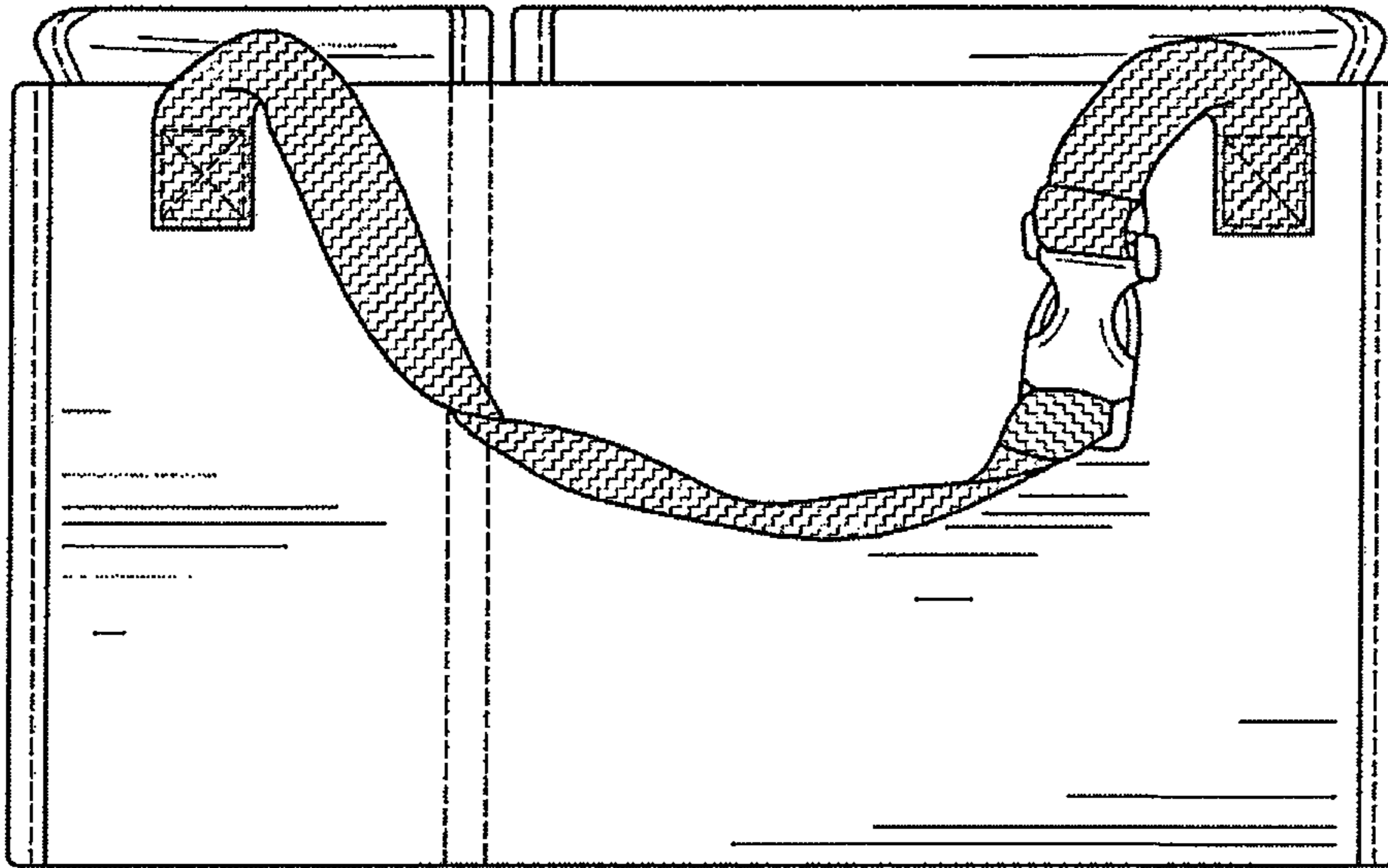


FIG. 3

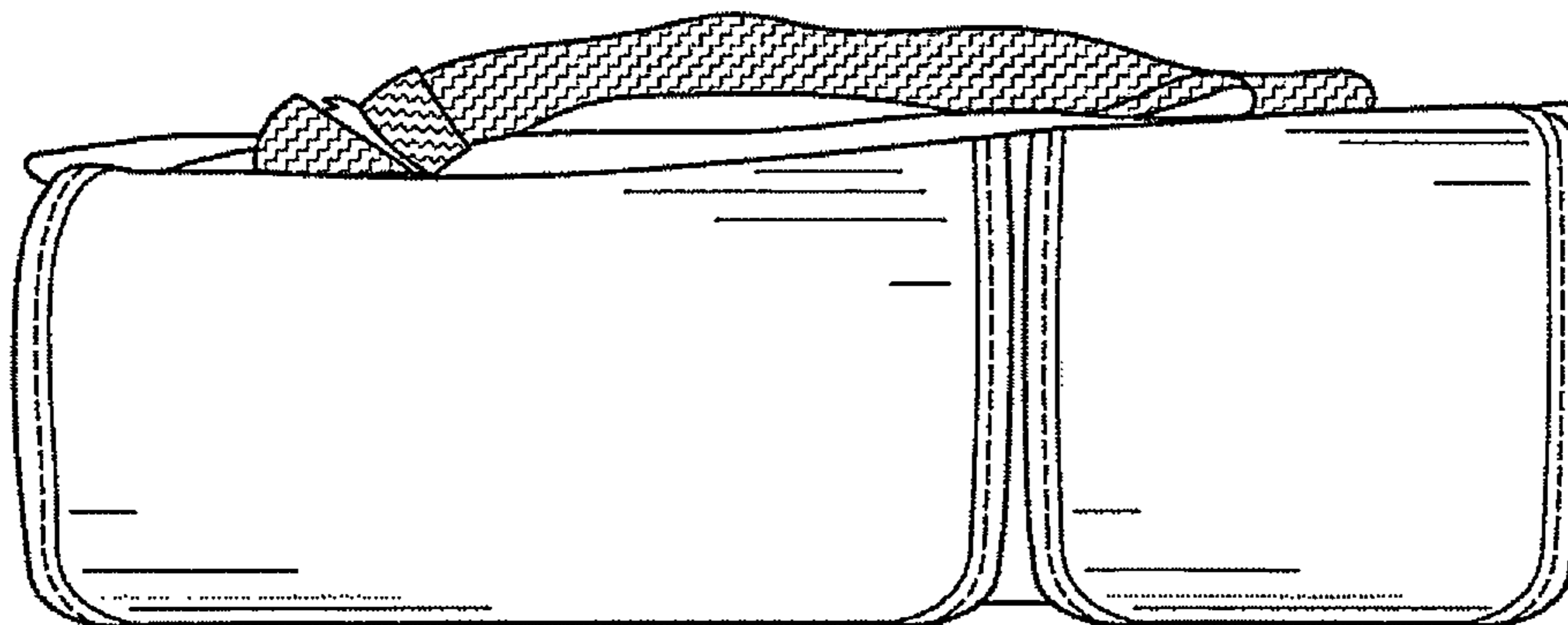


FIG. 4

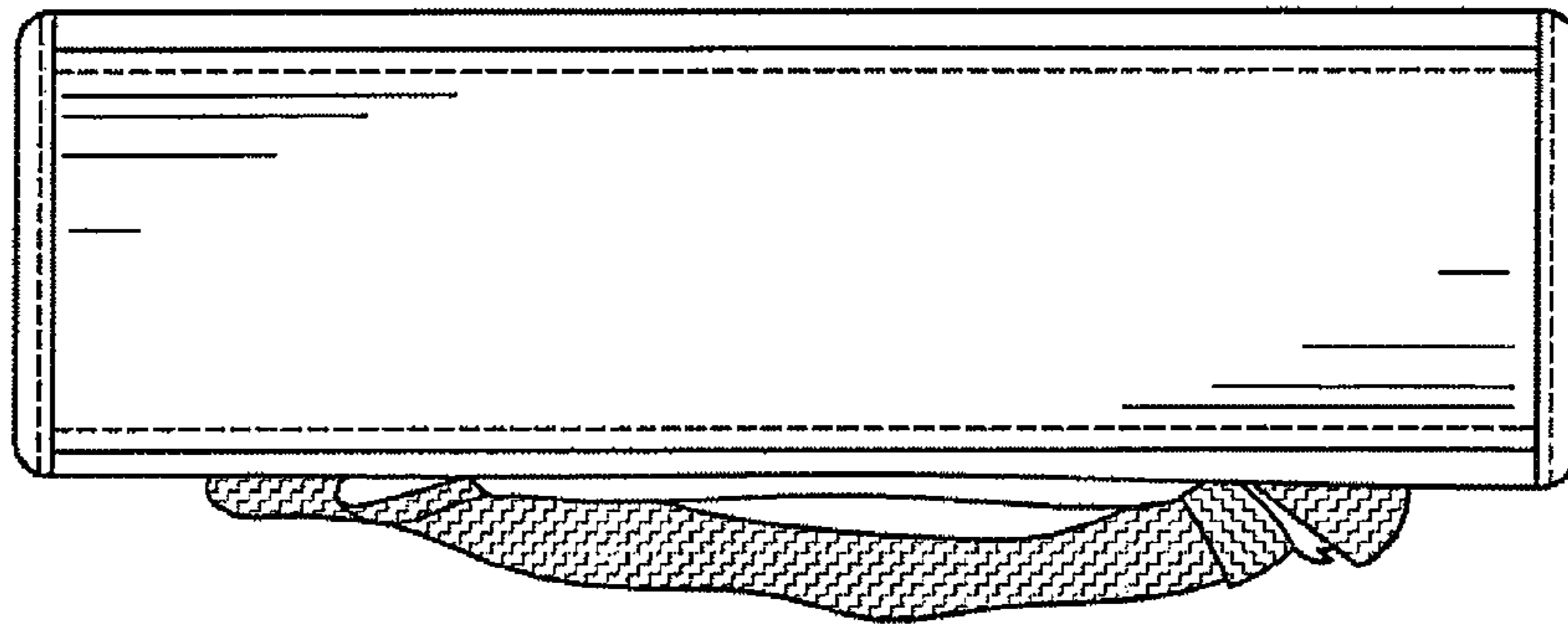


FIG. 5

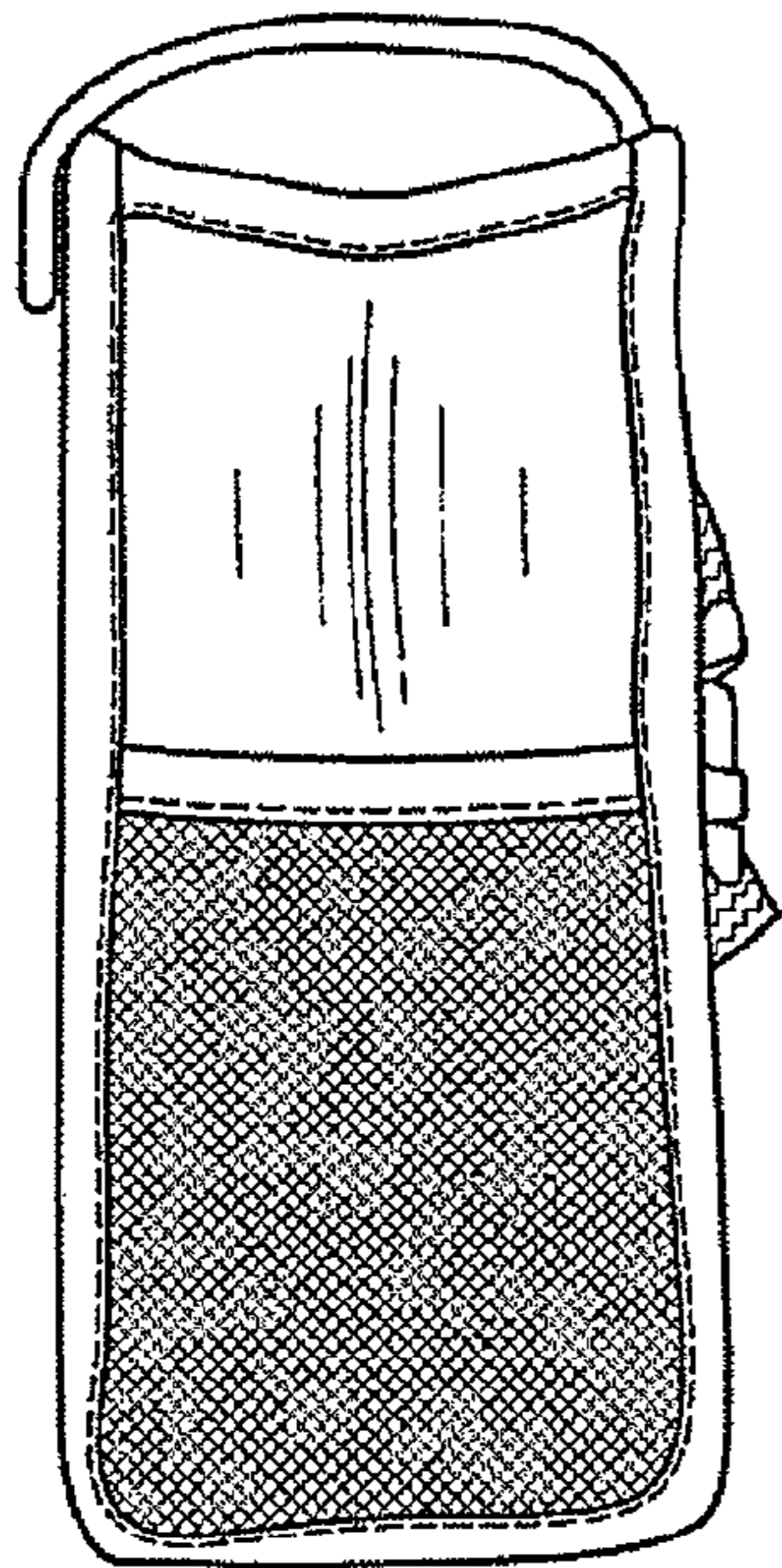


FIG. 6

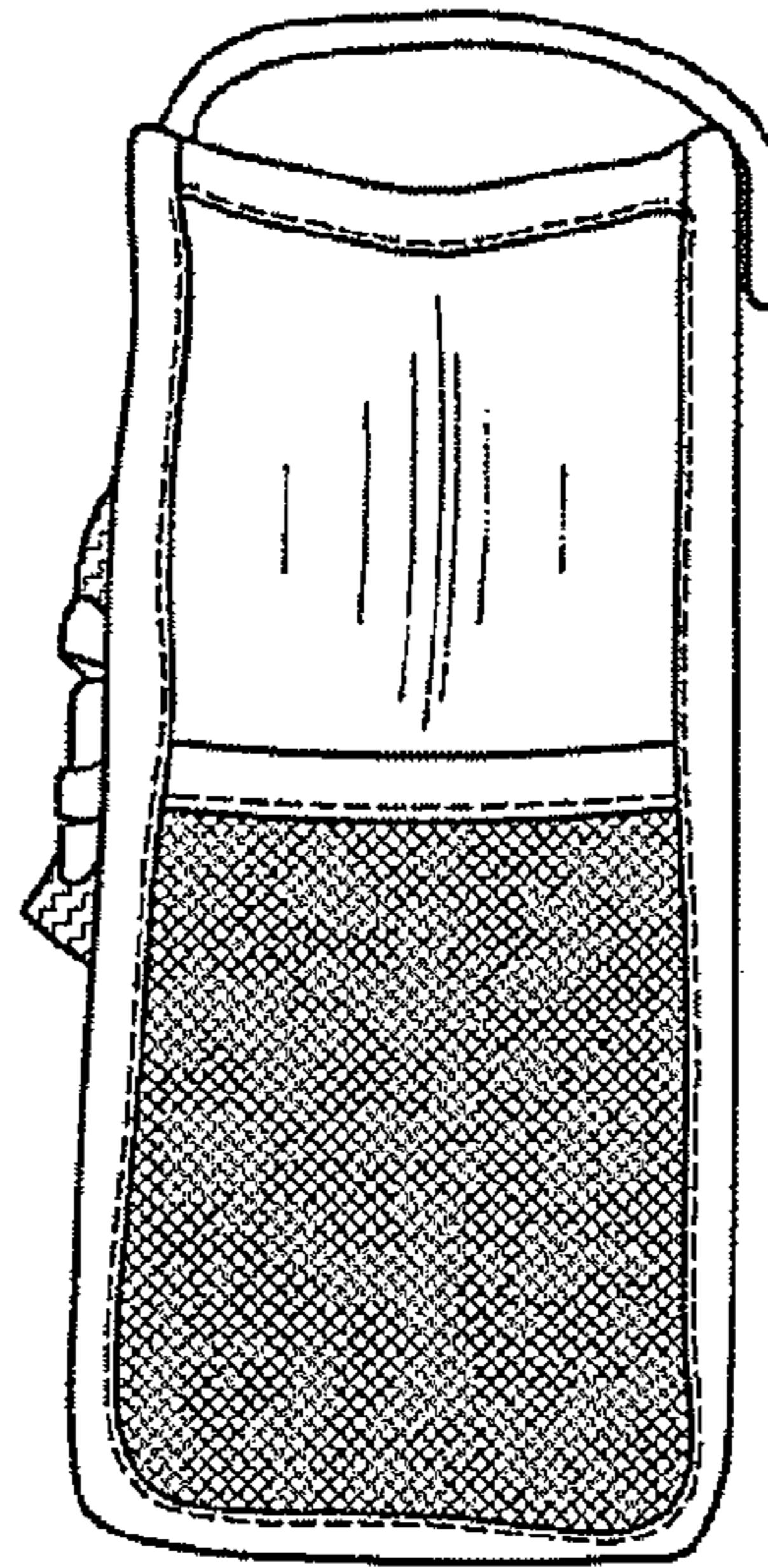


FIG. 7