



US00D716716S

(12) **United States Design Patent**
Satou et al.

(10) **Patent No.:** **US D716,716 S**
(45) **Date of Patent:** **** Nov. 4, 2014**

(54) **ELECTRIC WIRE HOLDER FOR VEHICLE**
(75) Inventors: **Kunihiko Satou**, Kosai (JP); **Masataka Yamamoto**, Kosai (JP)
(73) Assignee: **Yazaki Corporation**, Tokyo (JP)
(**) Term: **14 Years**

D644,177	S *	8/2011	de Bruijn et al.	D13/120
8,198,533	B2 *	6/2012	Terada et al.	174/72 A
8,227,693	B2 *	7/2012	Katou et al.	174/72 A
8,237,053	B2 *	8/2012	Katou et al.	174/72 A
8,242,366	B2 *	8/2012	Katou et al.	174/72 A
8,324,501	B2 *	12/2012	Terada et al.	174/72 A
D708,152	S *	7/2014	Dixon et al.	D13/169
2008/0035799	A1 *	2/2008	Yamamoto et al.	248/49
2009/0095858	A1 *	4/2009	Katou et al.	248/205.1
2011/0147540	A1 *	6/2011	Rivara et al.	248/68.1

(21) Appl. No.: **29/422,846**
(22) Filed: **May 24, 2012**

* cited by examiner

Primary Examiner — Deanna L Pratt
Assistant Examiner — Natasha Vujcic
(74) *Attorney, Agent, or Firm* — Sughrue Mion, PLLC

(30) **Foreign Application Priority Data**

Nov. 25, 2011 (JP) D2011-27235

(51) **LOC (10) Cl.** **12-16**
(52) **U.S. Cl.**
USPC **D12/400**

(57) **CLAIM**
The ornamental design for an electric wire holder for vehicle, as shown and described.

(58) **Field of Classification Search**
CPC B60K 1/00; B60K 3/00; B60K 5/1258; B60K 2350/30; B60K 2350/305; B60K 2350/307; B60R 16/02; B60R 16/0207
USPC D12/89, 190, 192, 195, 196, 203, 314, D12/400, 401, 415, 420, 421; D28/36, 92; 280/5.3, 163, 164.2, 166, 169, 291; 174/44, 72 A, 72 R, 173, 251; 220/324, 220/787, 788, 789; D8/14, 42, 331, 349, D8/352, 382, 386, 397, 399; D13/107, D13/117, 118, 120, 173; 248/302, 303, 352, 248/503

DESCRIPTION

FIG. 1 is a perspective view of an electric wire holder for vehicle showing our new design;
FIG. 2 is a front view thereof;
FIG. 3 is a rear view thereof;
FIG. 4 is a left side view;
FIG. 5 is a right side view thereof;
FIG. 6 is a top plan view thereof;
FIG. 7 is a bottom plan view thereof;
FIG. 8 is a perspective view of a second embodiment showing our new design;
FIG. 9 is a front view thereof;
FIG. 10 is a rear view thereof;
FIG. 11 is a left side view;
FIG. 12 is a right side view thereof;
FIG. 13 is a top plan view thereof; and,
FIG. 14 is a bottom plan view thereof.

See application file for complete search history.

(56) **References Cited**
U.S. PATENT DOCUMENTS

D284,184	S *	6/1986	Carey et al.	D13/120
5,957,702	A *	9/1999	Nagai et al.	439/34
7,265,295	B2 *	9/2007	Kogure et al.	174/72 A

1 Claim, 7 Drawing Sheets

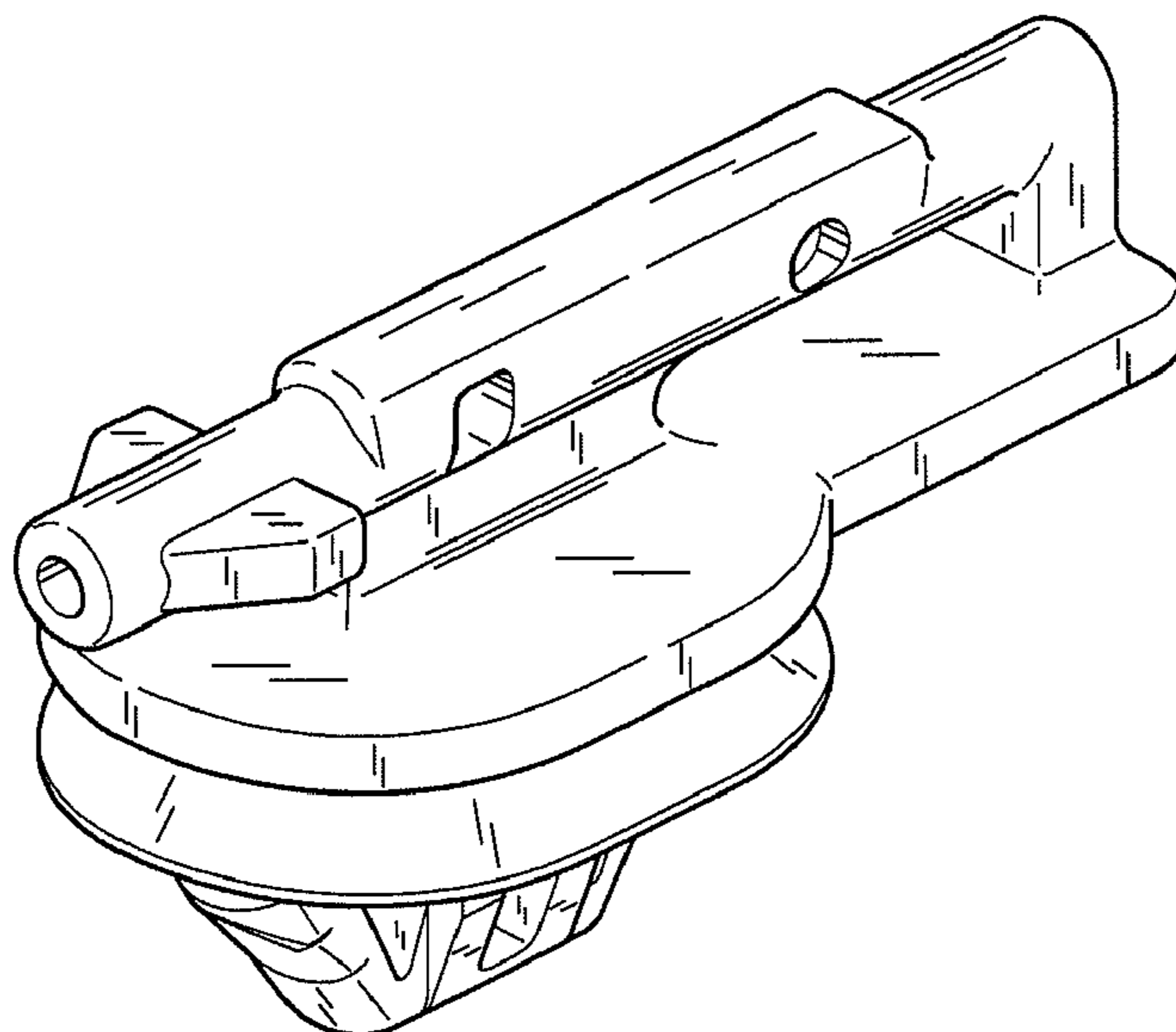


Fig.1

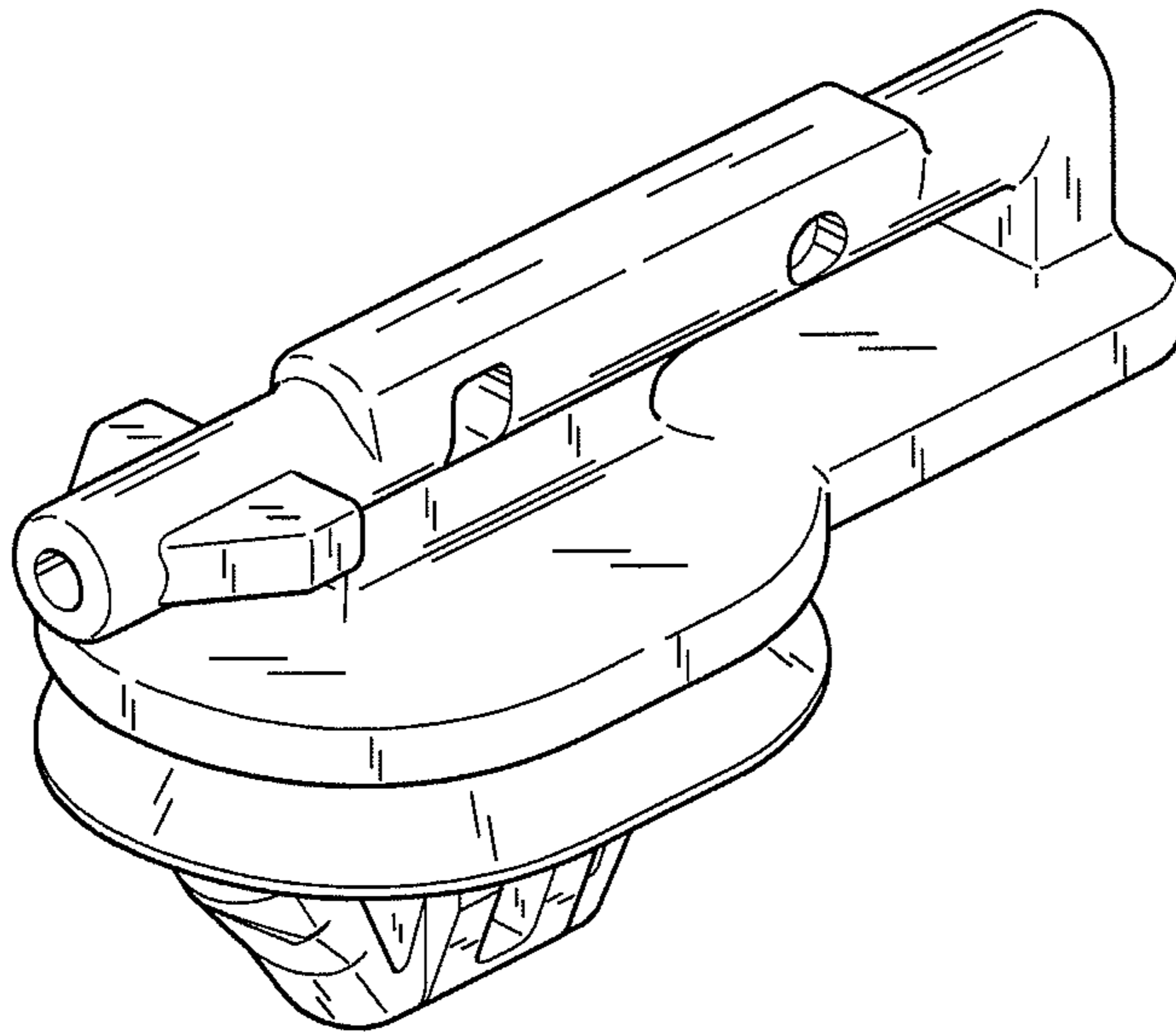


Fig.2

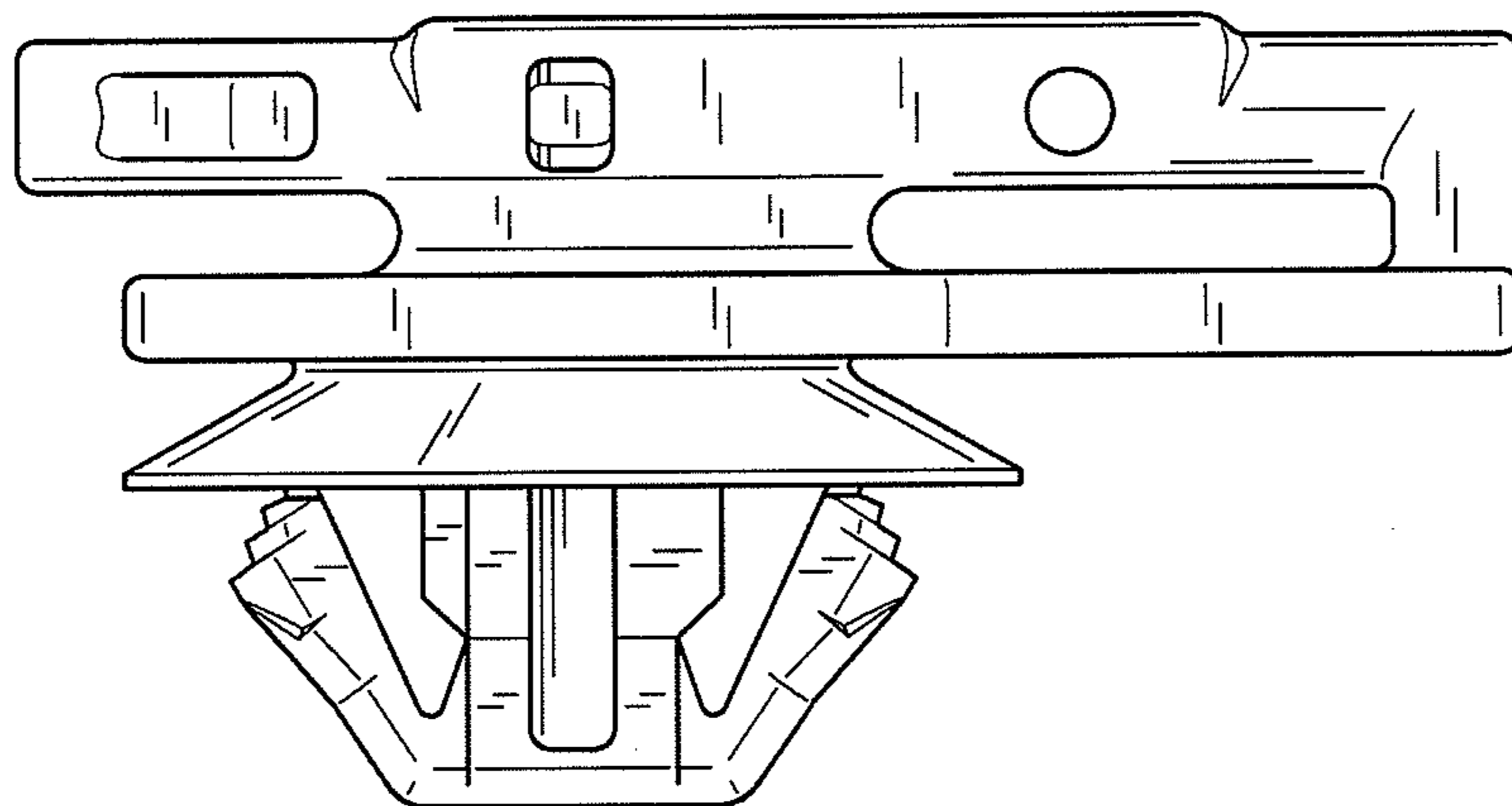


Fig.3

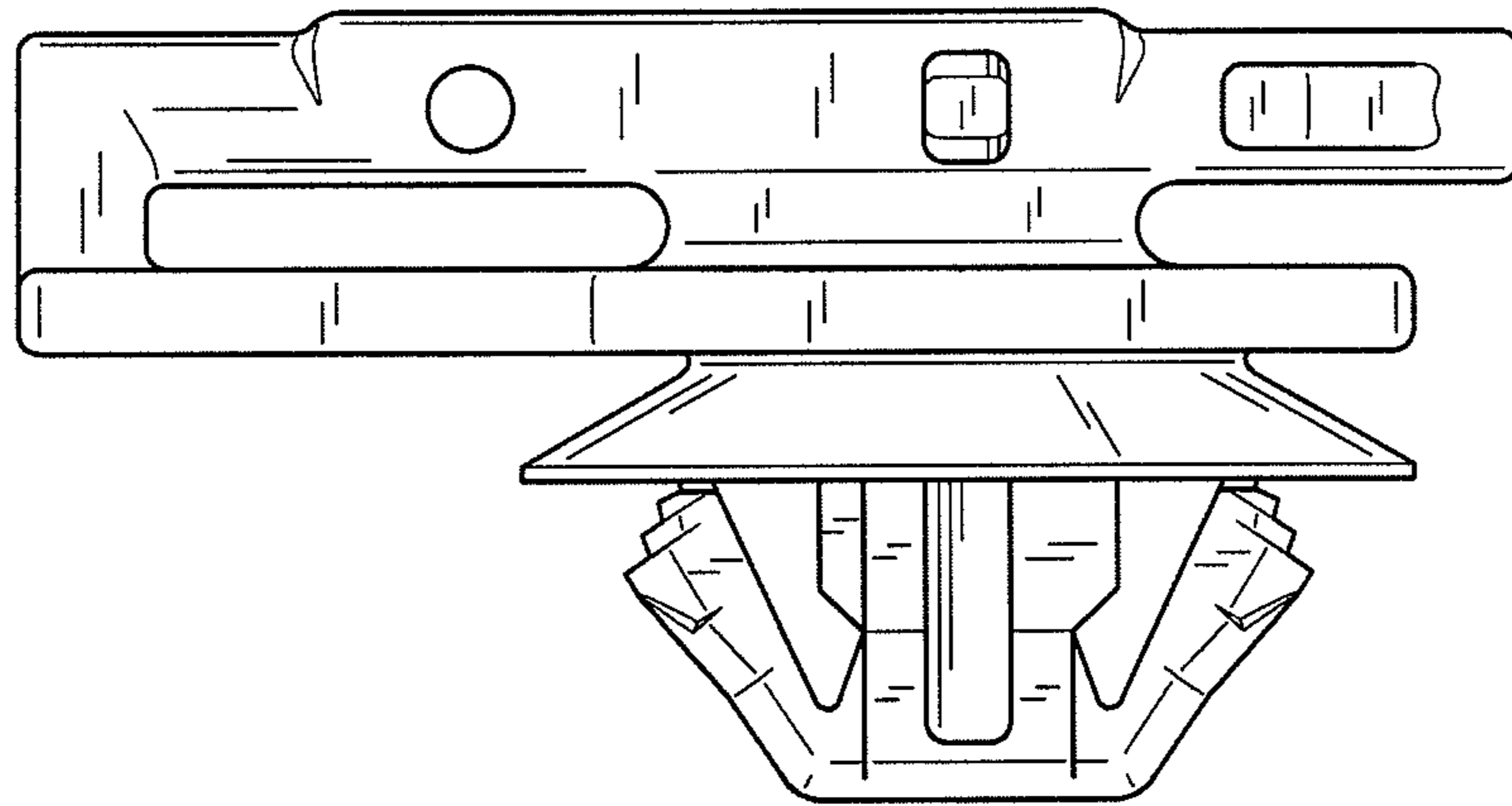


Fig.4

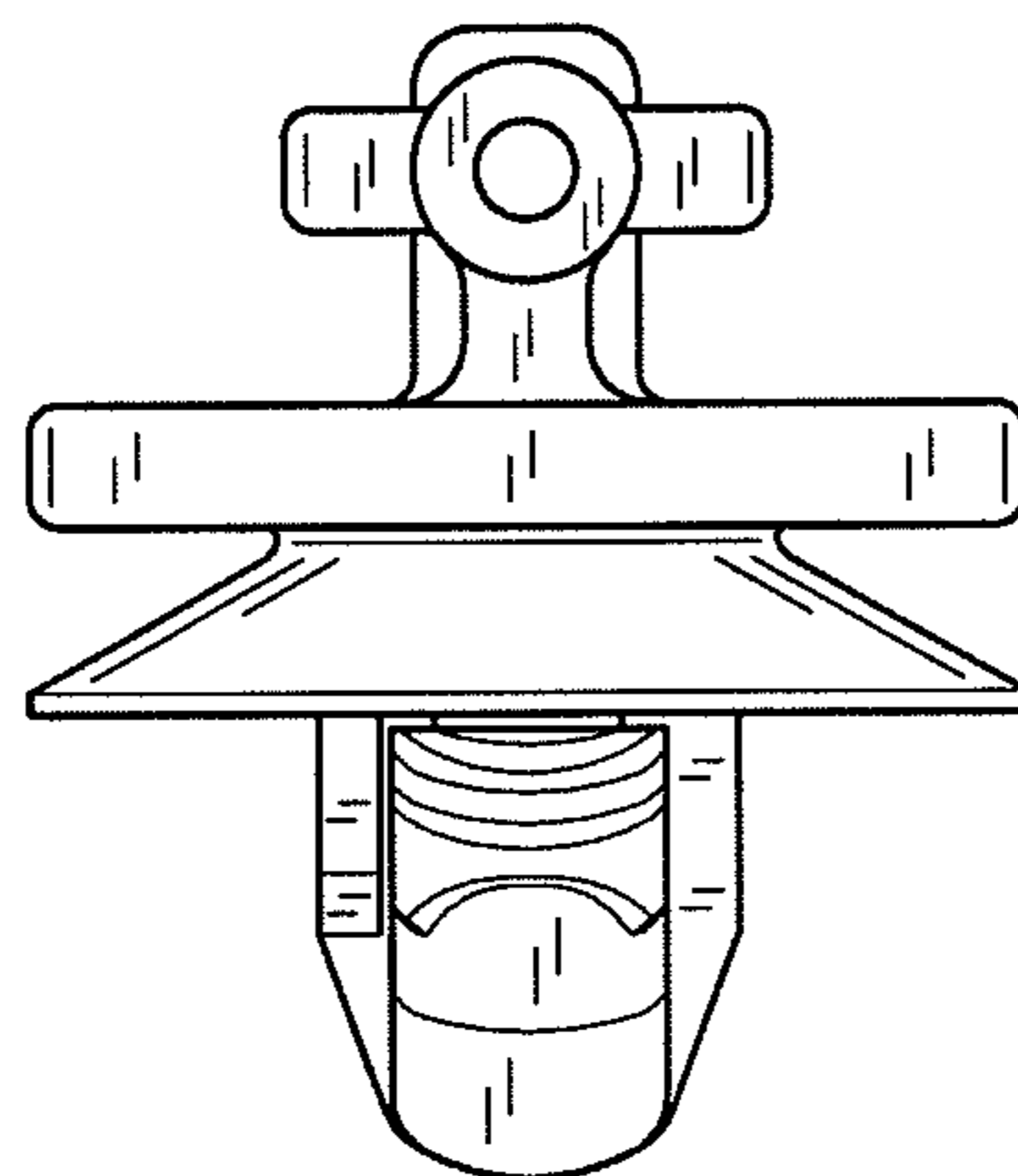


Fig.5

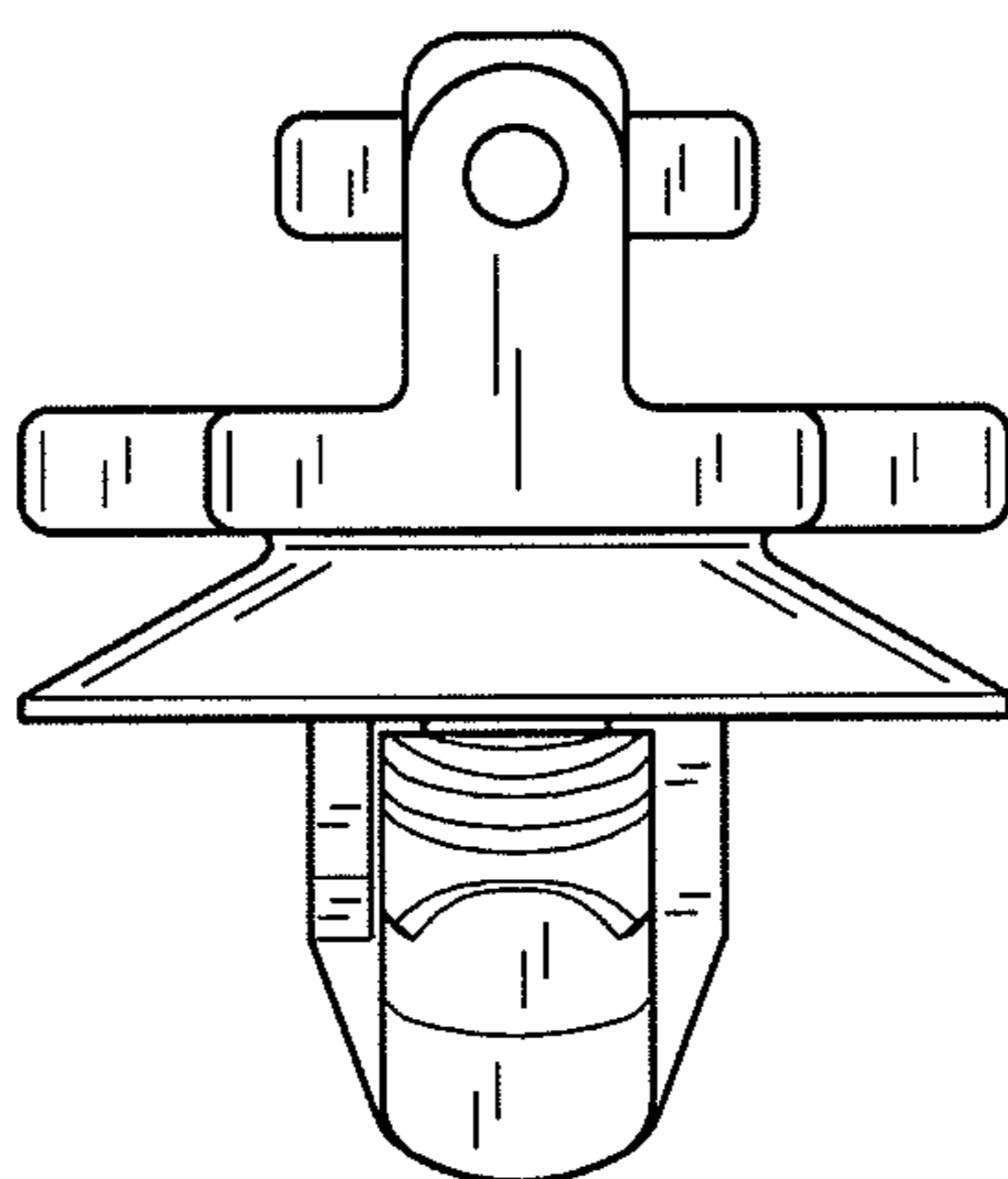


Fig.6

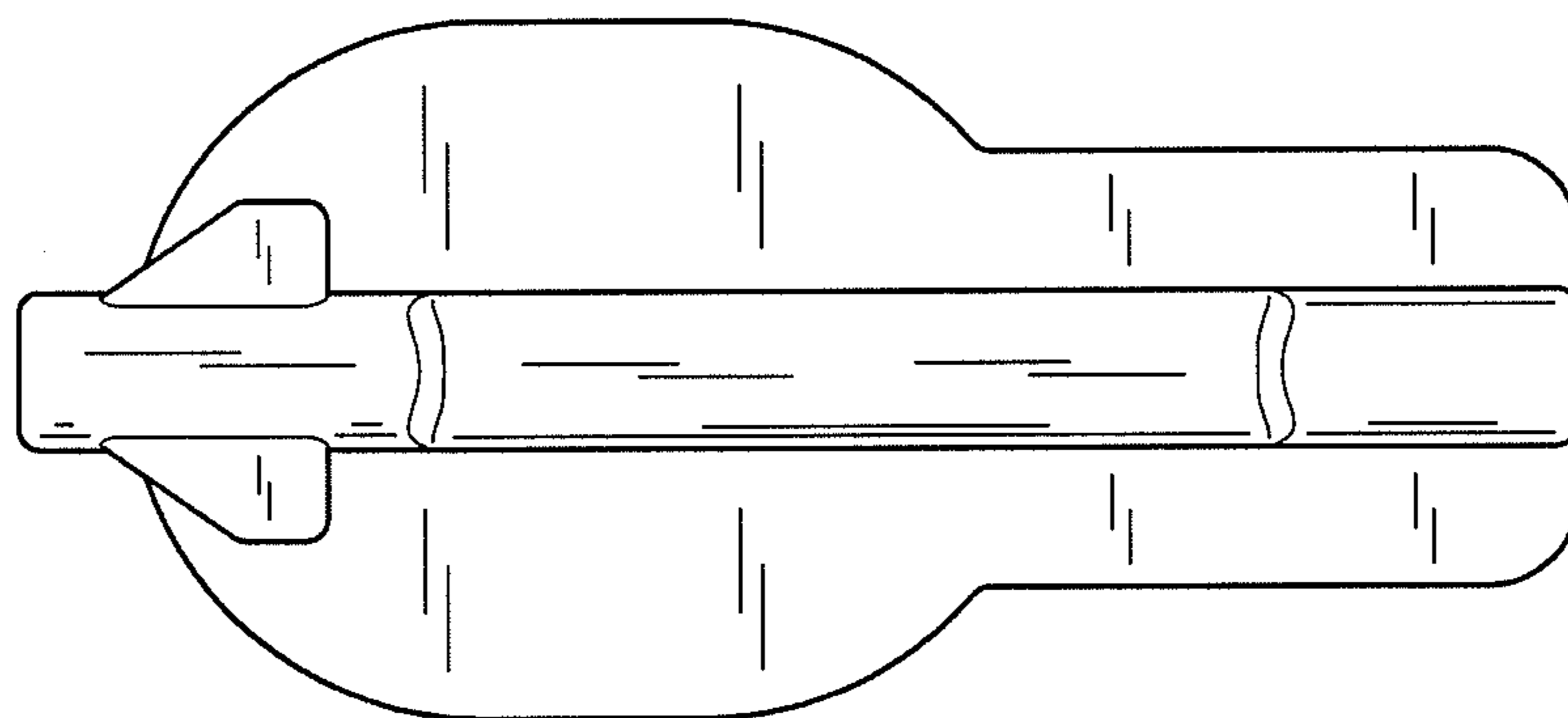


Fig.7

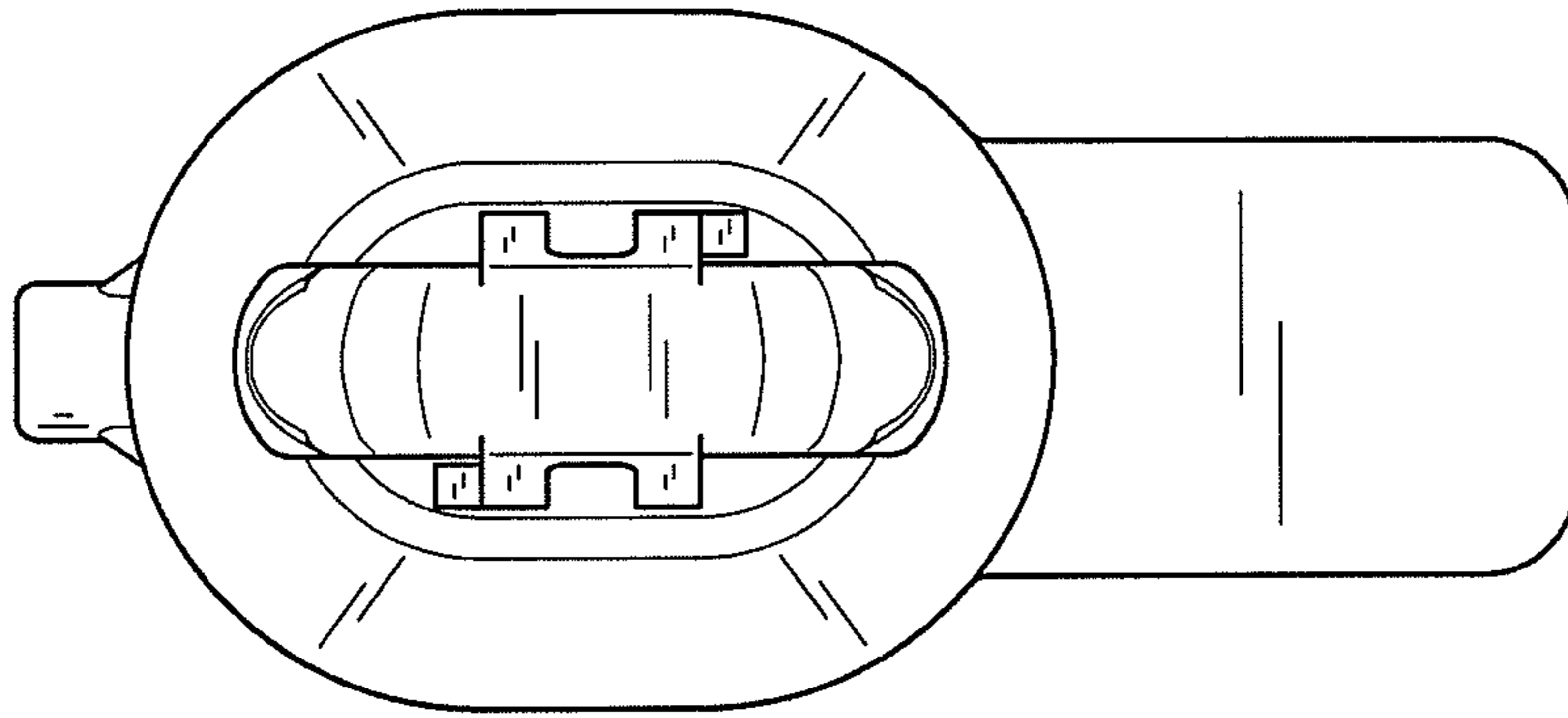


Fig.8

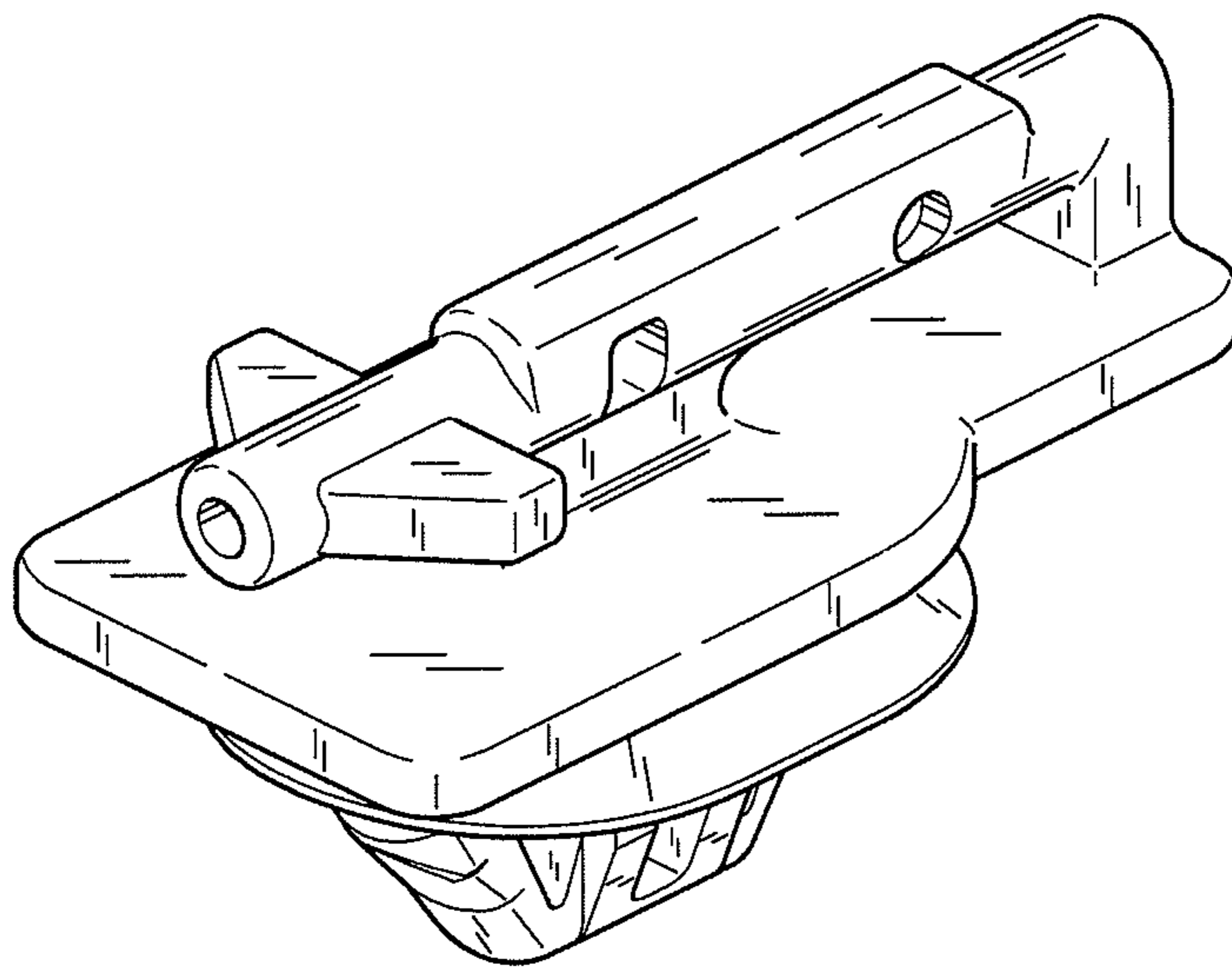


Fig.9

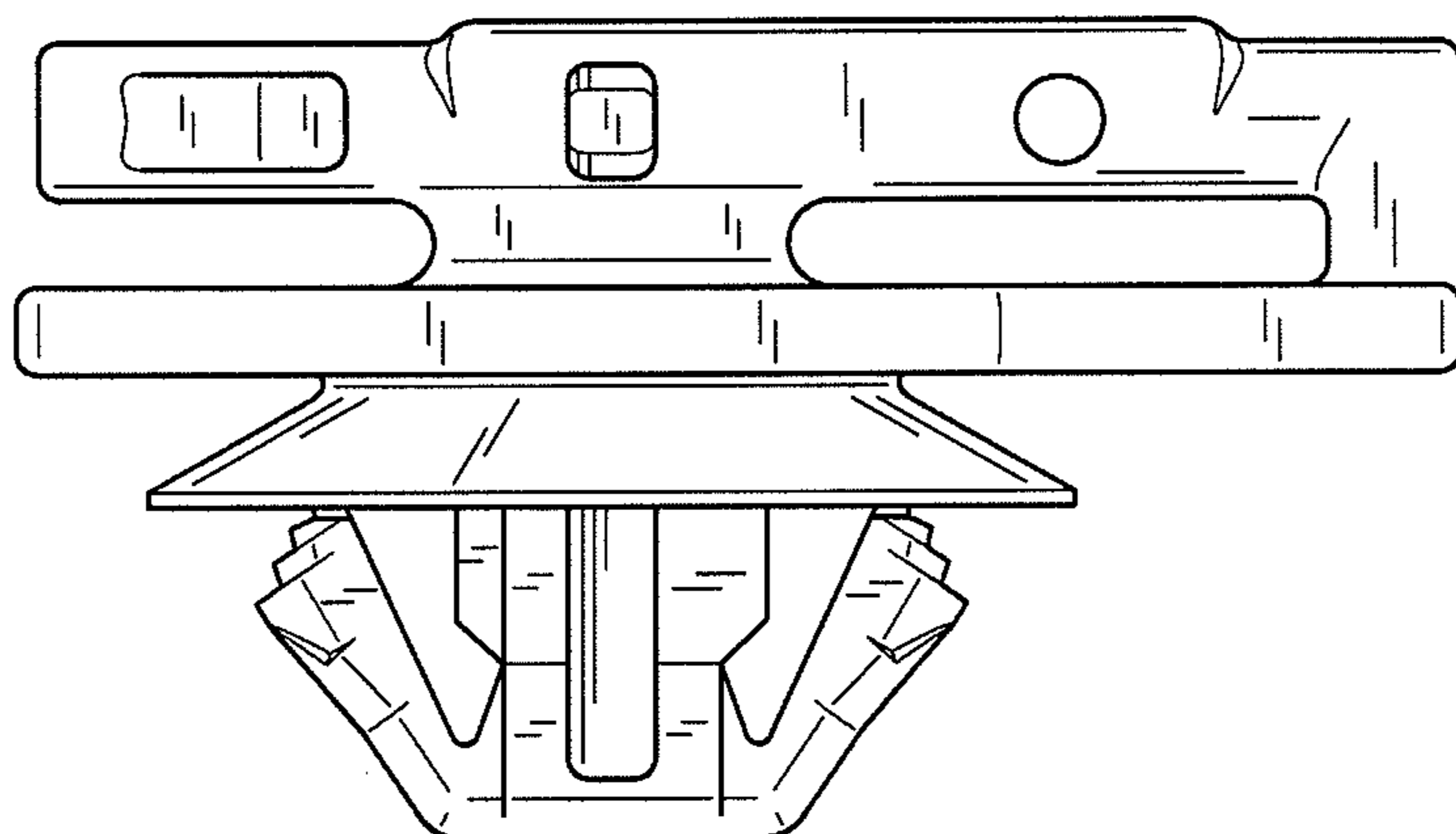


Fig.10

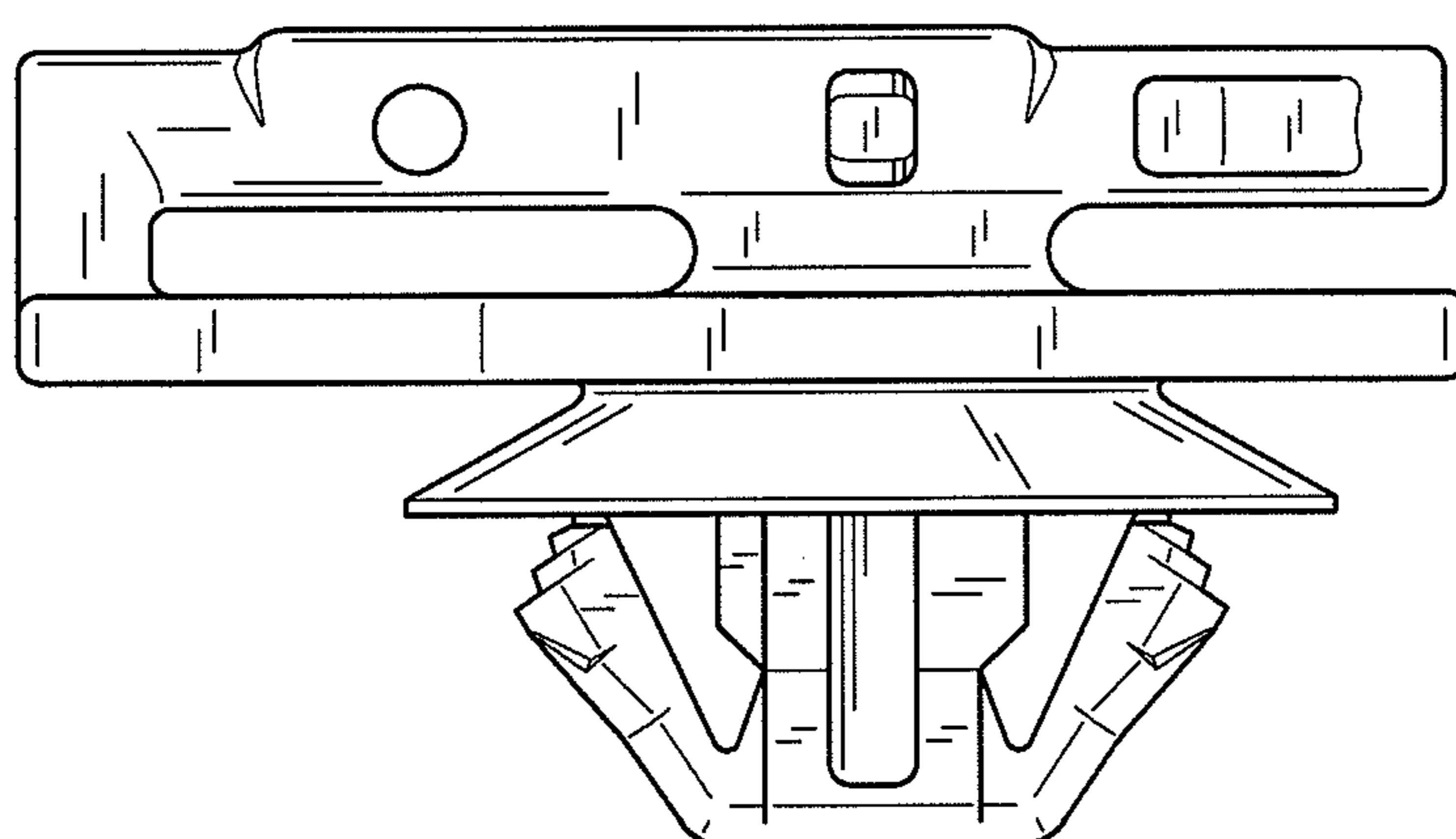


Fig.11

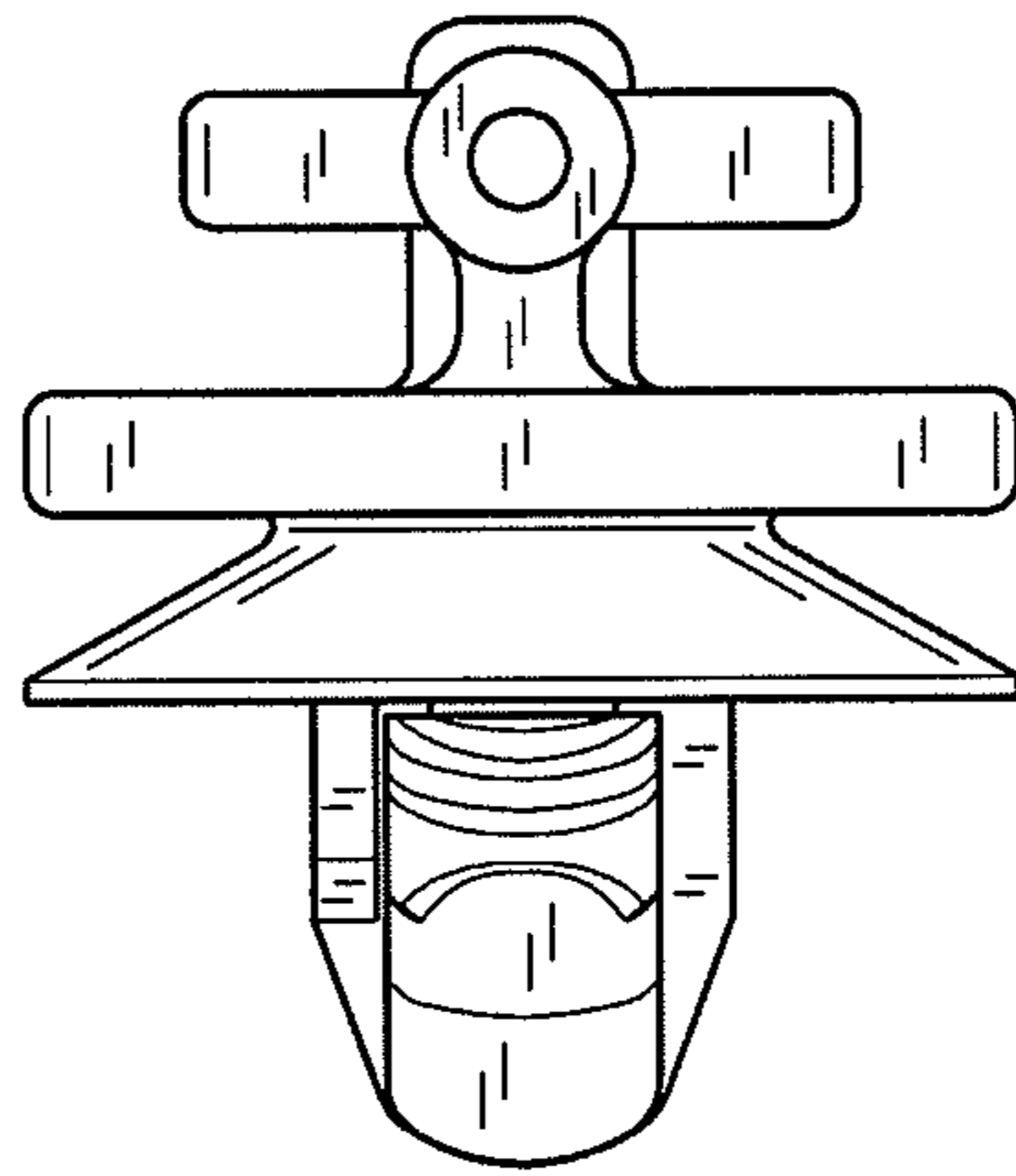


Fig.12

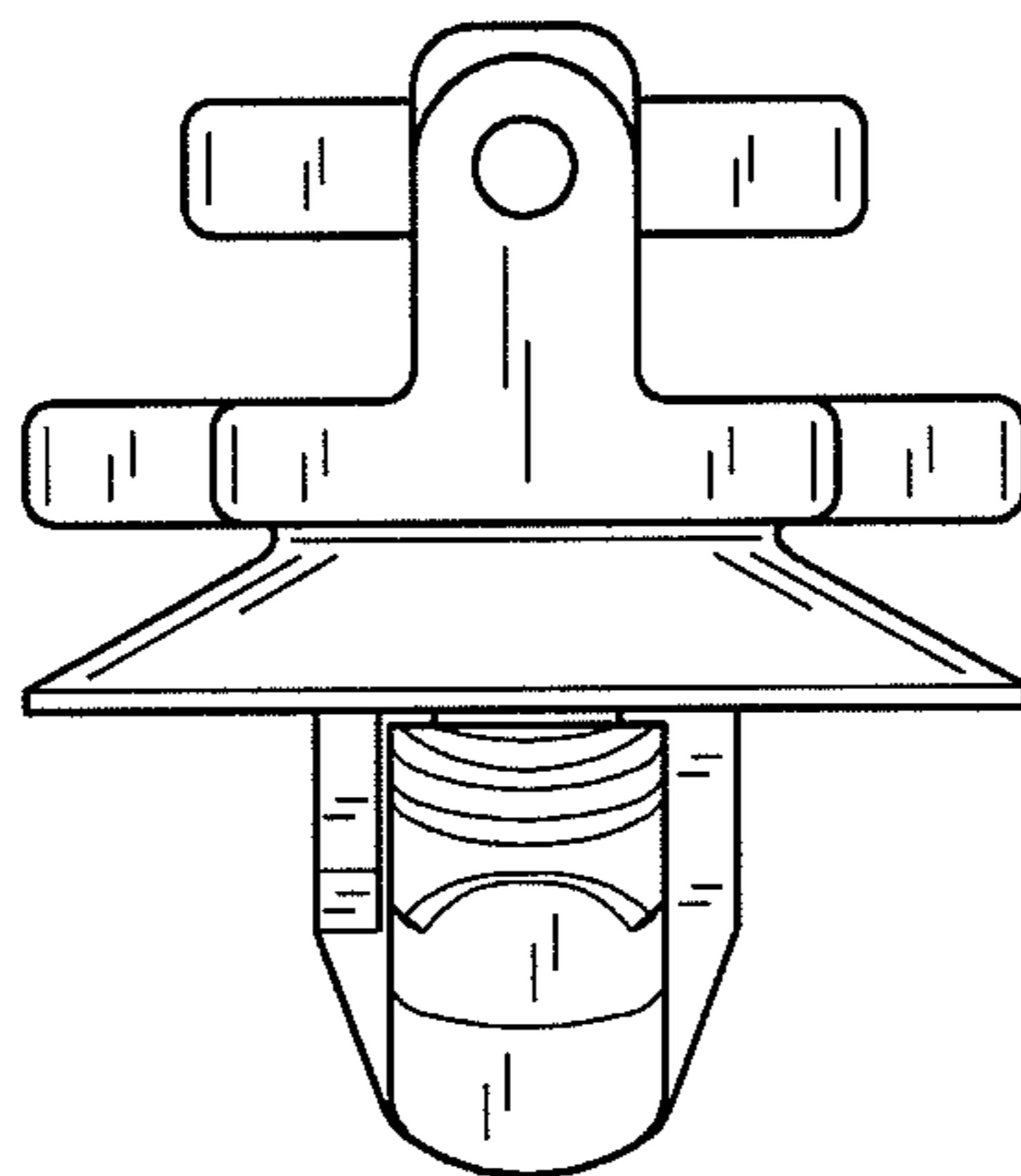


Fig.13

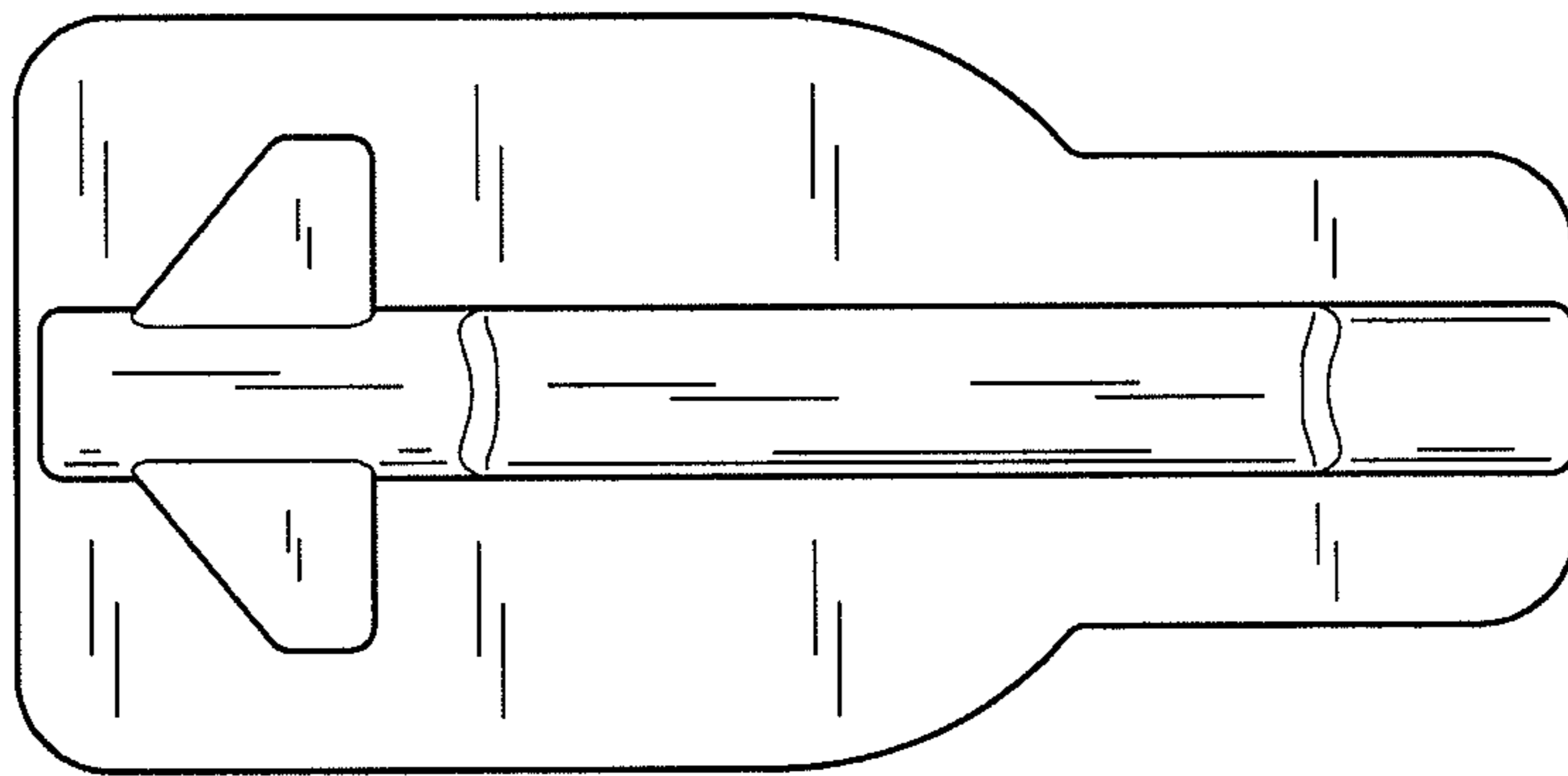


Fig.14

