



US00D716714S

(12) **United States Design Patent**
Kim

(10) **Patent No.:** **US D716,714 S**

(45) **Date of Patent:** **** *Nov. 4, 2014**

(54) **WIPER FOR AUTOMOBILES**

(75) Inventor: **In-Kyu Kim**, Gyeonggi-do (KR)

(73) Assignees: **ADM21 Co., Ltd.**, Chungcheongnam-do (KR); **In-Kyu Kim**, Gyeonggi-do (KR)

(*) Notice: This patent is subject to a terminal disclaimer.

(**) Term: **14 Years**

(21) Appl. No.: **29/430,448**

(22) Filed: **Aug. 24, 2012**

(30) **Foreign Application Priority Data**

Apr. 26, 2012 (KR) 30-2012-0020220

(51) **LOC (10) Cl.** **12-06**

(52) **U.S. Cl.**
USPC **D12/219**

(58) **Field of Classification Search**
USPC D12/219-220; 15/246, 247, 250.001, 15/250.4, 250.361, 250.19, 250.48, 15/250.03, 250.31-250.33, 250.351, 15/250.38, 250.201, 250.451, 250.458, 15/250.04, 250.07, 250.44

See application file for complete search history.

(56) **References Cited**

U.S. PATENT DOCUMENTS

D379,613	S	*	6/1997	Chen	D12/219
D382,848	S	*	8/1997	Chen	D12/219
2008/0083082	A1	*	4/2008	Rovaart et al.	15/250.32
2011/0162161	A1	*	7/2011	Amado	15/250.361
2011/0277266	A1	*	11/2011	Umeno	15/250.32

* cited by examiner

Primary Examiner — Katrina A Betton

(74) *Attorney, Agent, or Firm* — Seed IP Law Group PLLC

(57) **CLAIM**

The ornamental design for a wiper for automobiles, as shown and described.

DESCRIPTION

FIG. 1 is an isometric perspective view of a wiper for automobiles.

FIG. 2 is a front view thereof.

FIG. 3 is a rear view thereof.

FIG. 4 is a top plan view thereof.

FIG. 5 is a bottom plan view thereof.

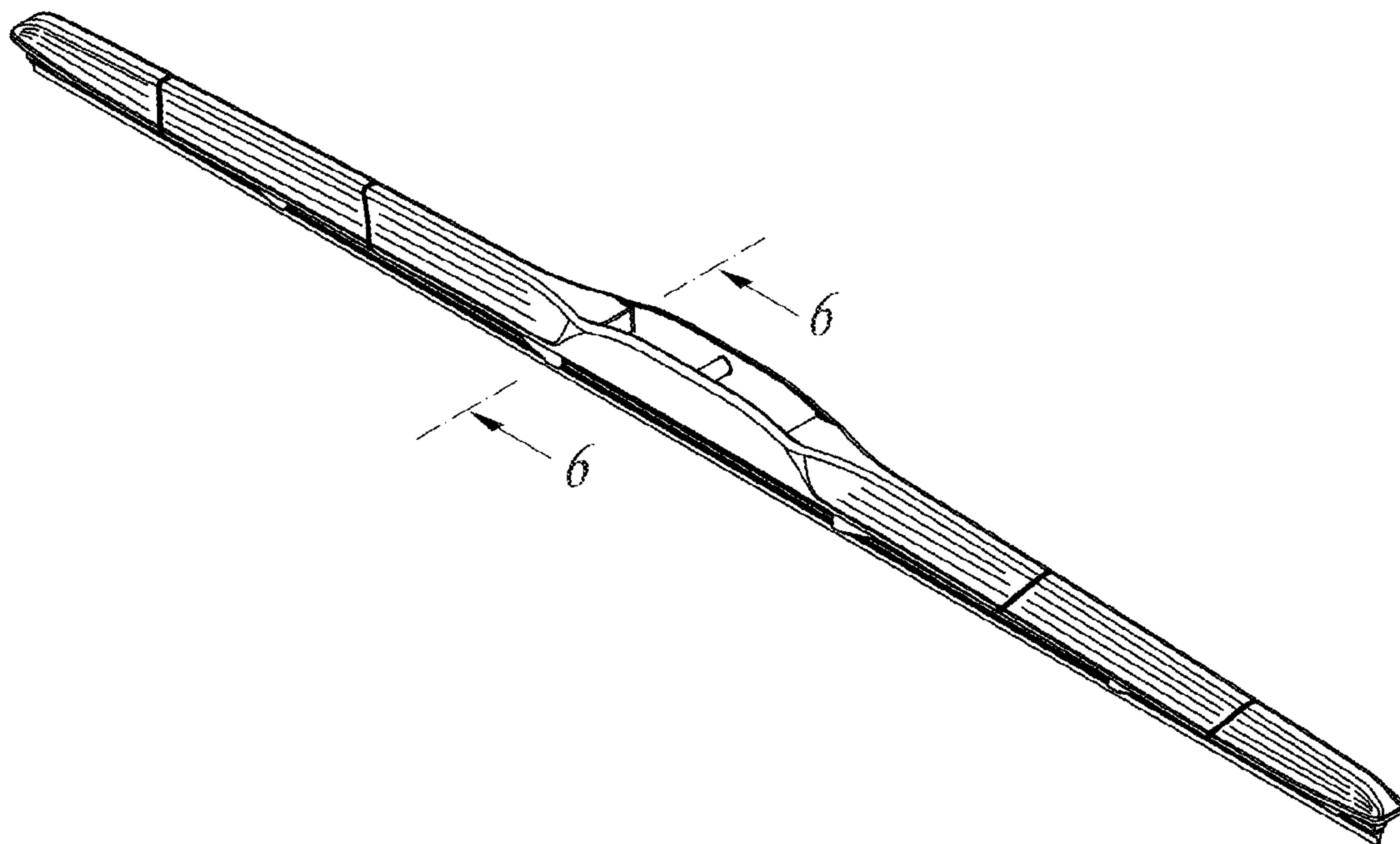
FIG. 6 is an enlarged isometric view of the portion partitioned by lines 6-6 in FIG. 1.

FIG. 7 is a left side view thereof.

FIG. 8 is a right side view thereof; and,

FIG. 9 is an enlarged bottom plan view of the portion partitioned by lines 9-9' in FIG. 5.

1 Claim, 6 Drawing Sheets



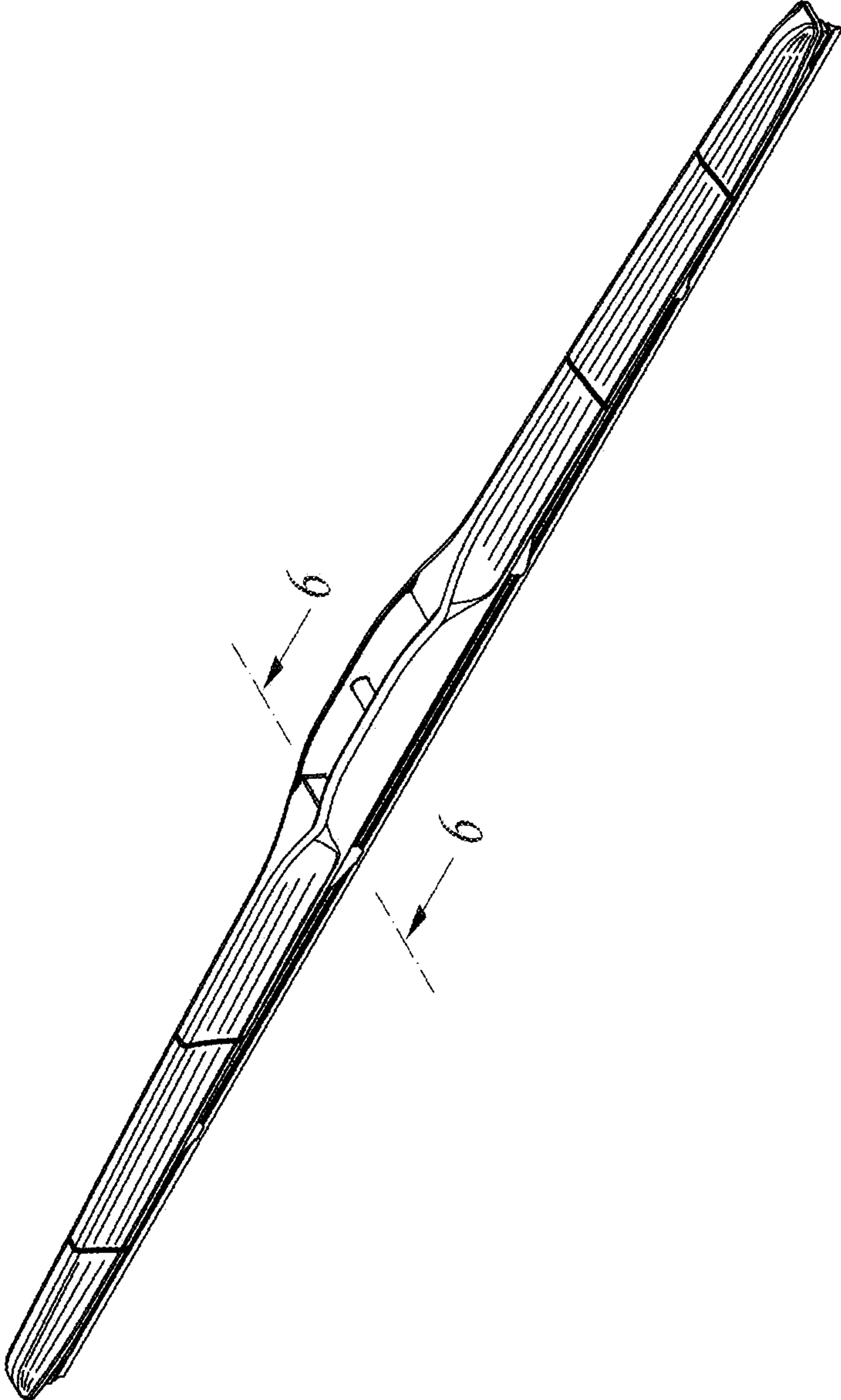


FIG. 1

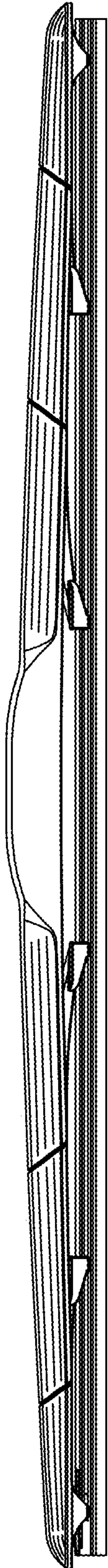


FIG. 2

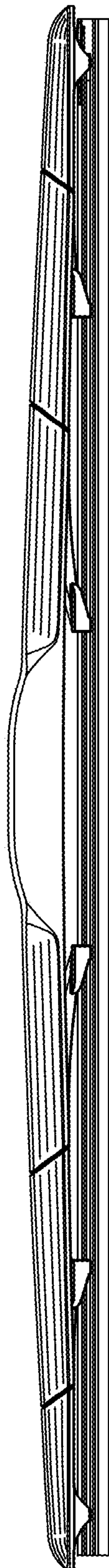


FIG. 3

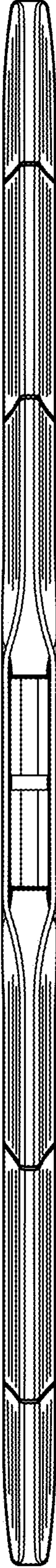


FIG. 4

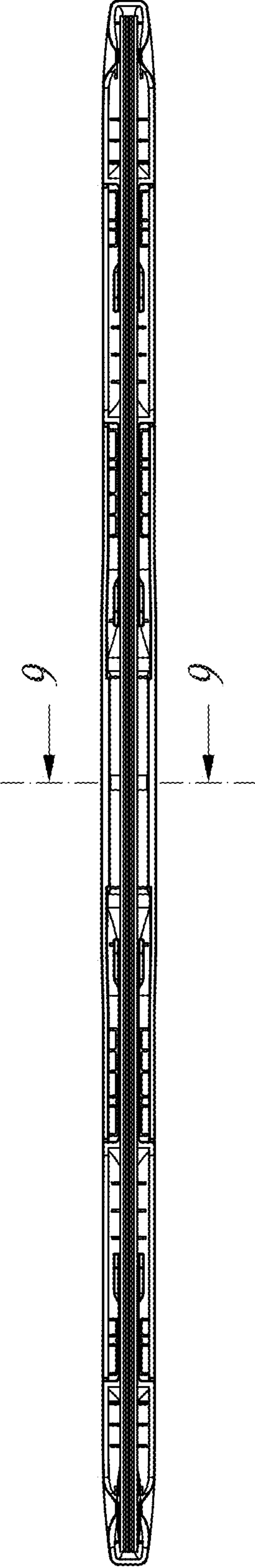


FIG. 5

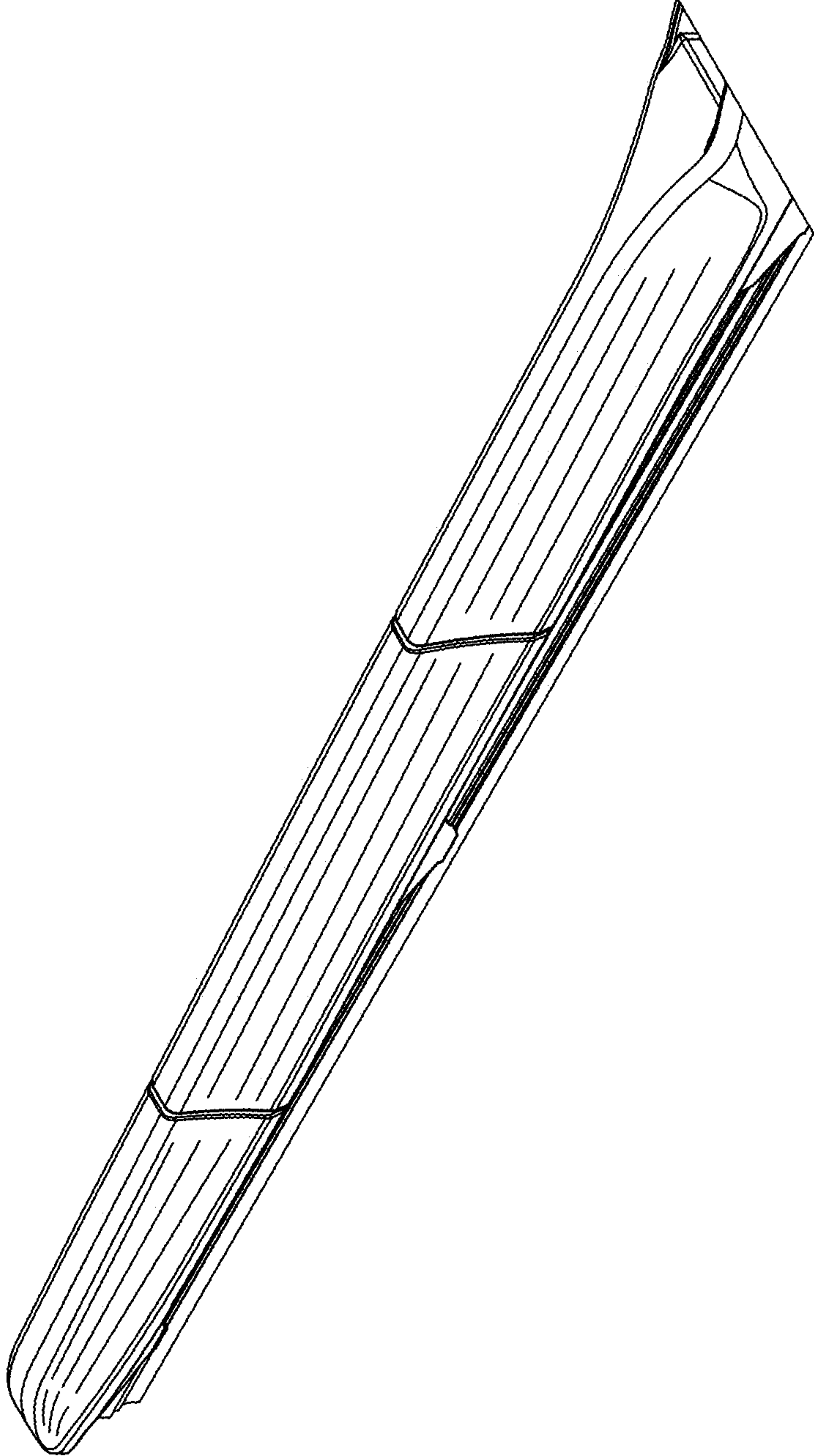


FIG. 6

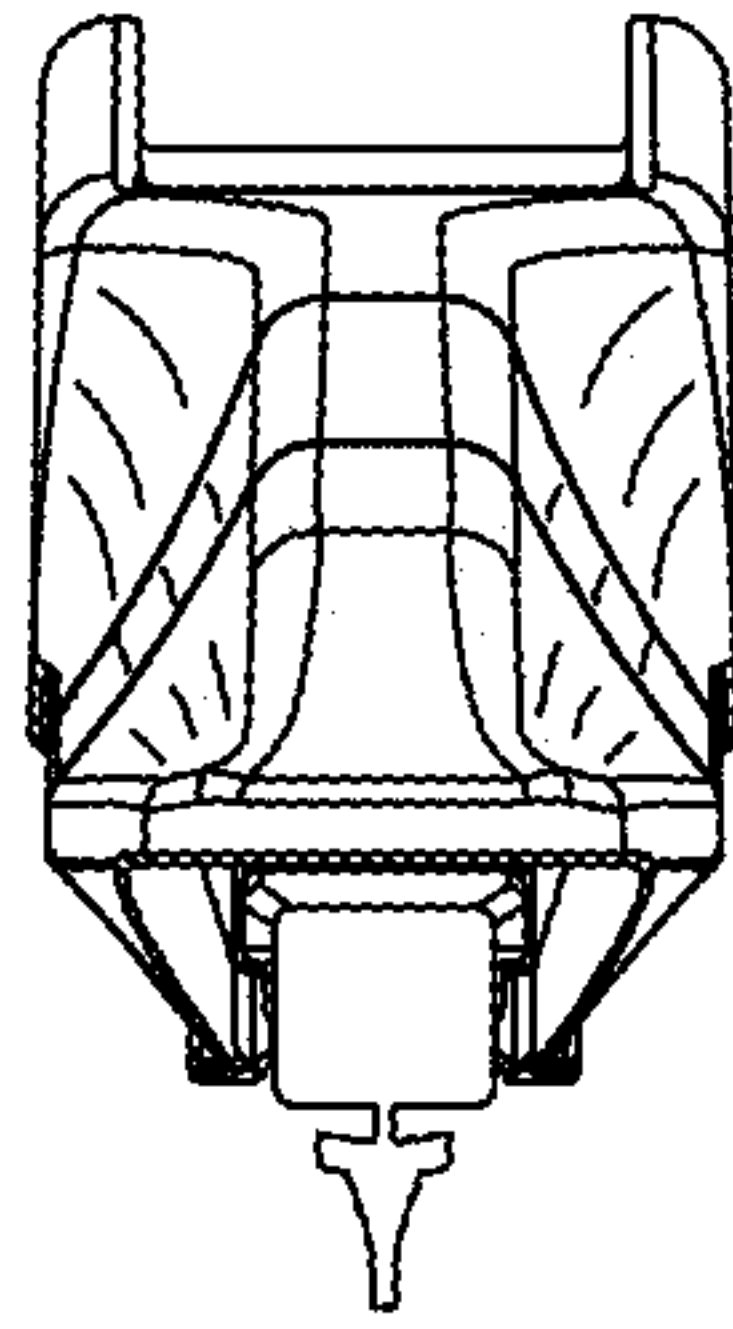


FIG. 7

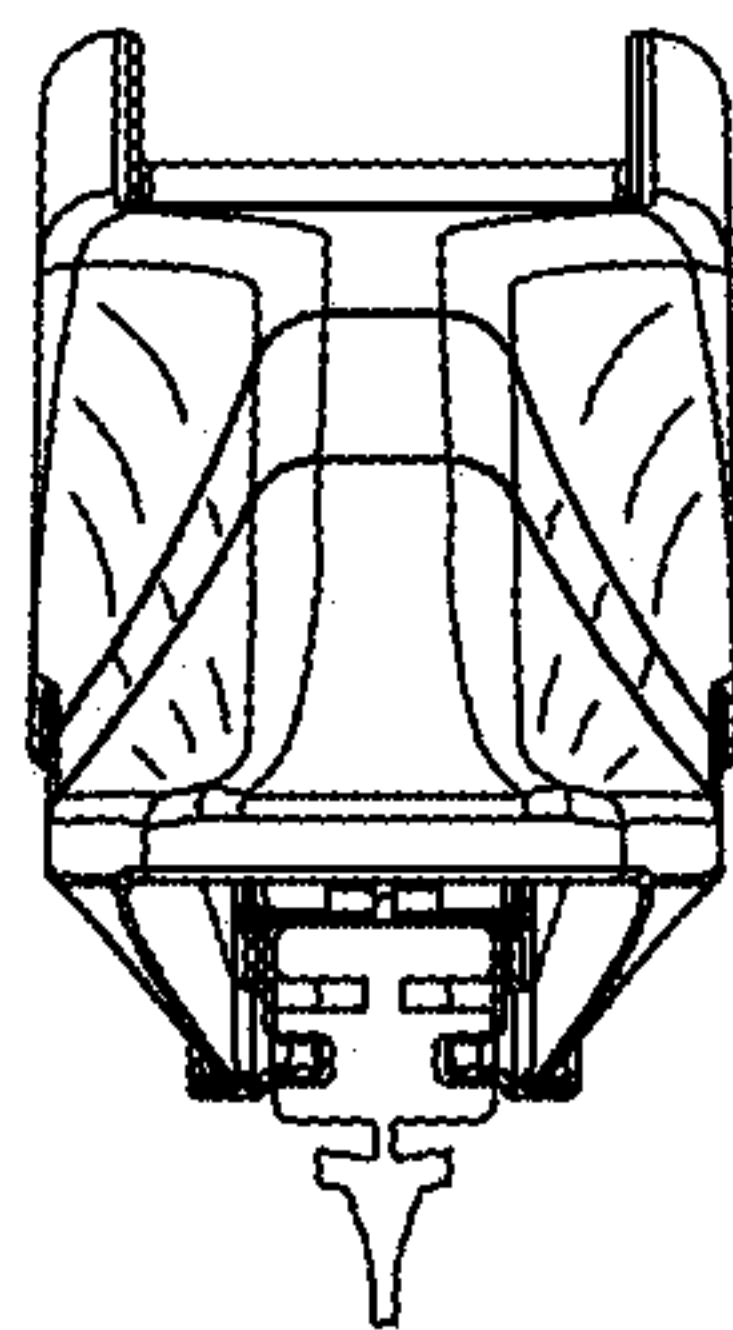


FIG. 8

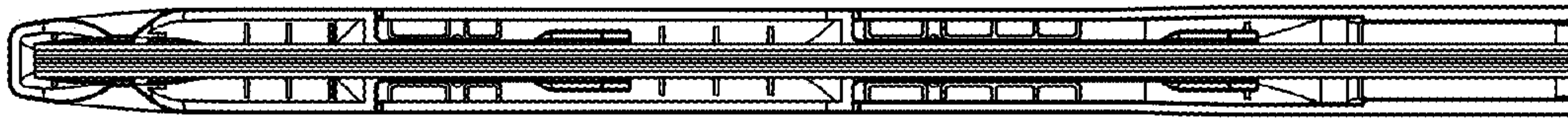


FIG. 9