



US00D716709S

(12) **United States Design Patent**
Thole et al.

(10) **Patent No.:** **US D716,709 S**
(45) **Date of Patent:** **** Nov. 4, 2014**

(54) **VEHICLE FRONT FENDER**

- (71) Applicant: **GM Global Technology Operations LLC**, Detroit, MI (US)
- (72) Inventors: **Louis D. Thole**, Grosse Pointe Park, MI (US); **Tyler L. H. Moffett**, Detroit, MI (US); **Warrack N. Leach**, Brunswick East (AU)
- (73) Assignee: **GM Global Technology Operations LLC**, Detroit, MI (US)
- (**) Term: **14 Years**
- (21) Appl. No.: **29/466,640**
- (22) Filed: **Sep. 10, 2013**
- (51) **LOC (10) Cl.** **12-16**
- (52) **U.S. Cl.**
USPC **D12/184**
- (58) **Field of Classification Search**
USPC D12/184, 196, 90-92, 181; 280/152.1, 280/847-849, 851; 296/181.1, 181.5
See application file for complete search history.

(56) **References Cited**

U.S. PATENT DOCUMENTS

D597,459 S *	8/2009	Wagner et al.	D12/184
D671,871 S *	12/2012	Ohkoshi	D12/184
D680,045 S *	4/2013	Hamilton et al.	D12/184
D683,289 S *	5/2013	Yoshida et al.	D12/184
D693,748 S *	11/2013	Mackay	D12/184

* cited by examiner

Primary Examiner — Melody Brown

(74) *Attorney, Agent, or Firm* — Lionel D. Anderson; Reising Ethington P.C.

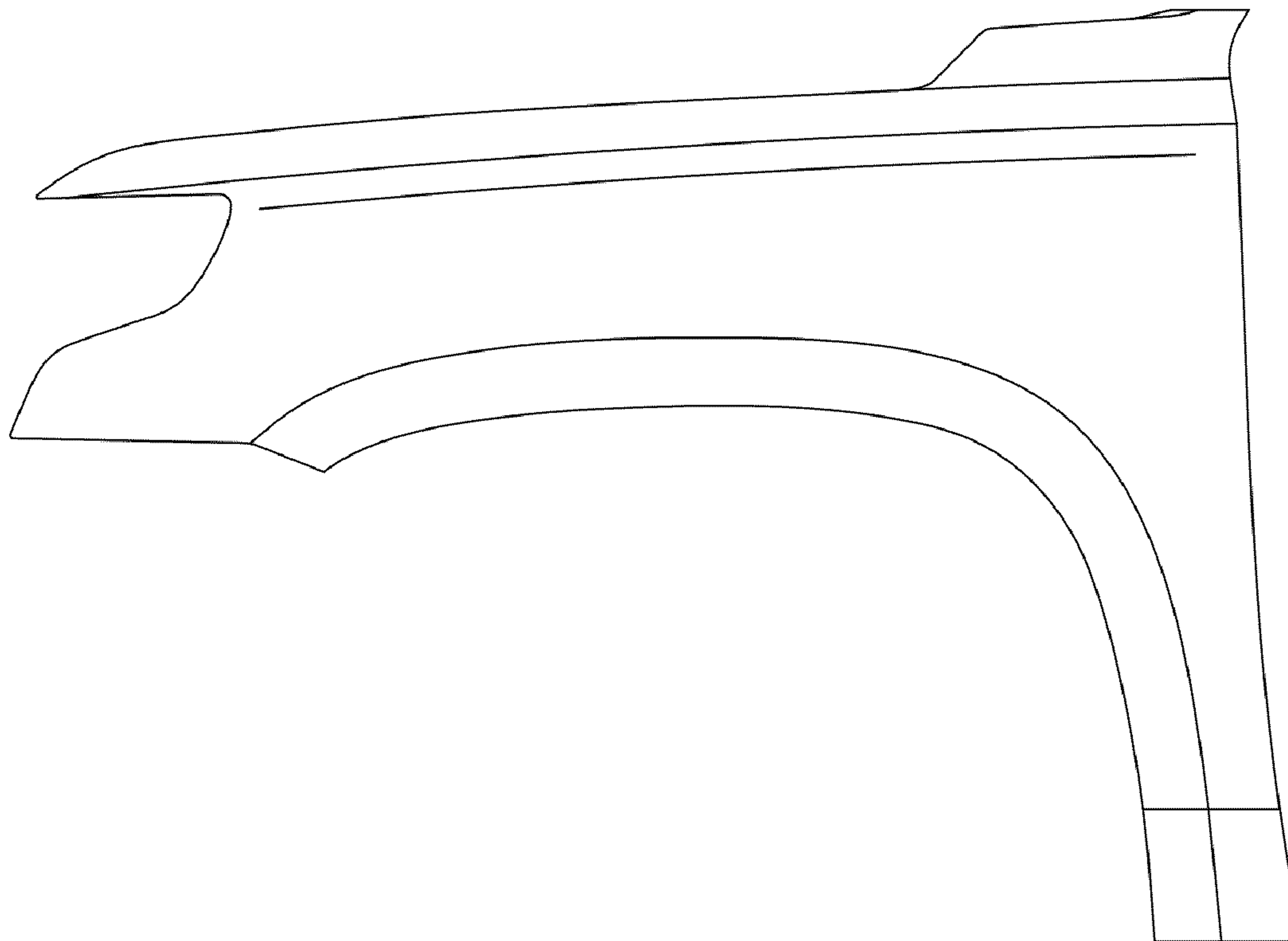
(57) **CLAIM**

We claim the ornamental design for a vehicle front fender, as shown and described.

DESCRIPTION

FIG. 1 is a perspective view of a vehicle front fender; FIG. 2 is a top view of the vehicle front fender; FIG. 3 is a side view of the vehicle front fender; and, FIG. 4 is a front view of the vehicle front fender.

1 Claim, 2 Drawing Sheets



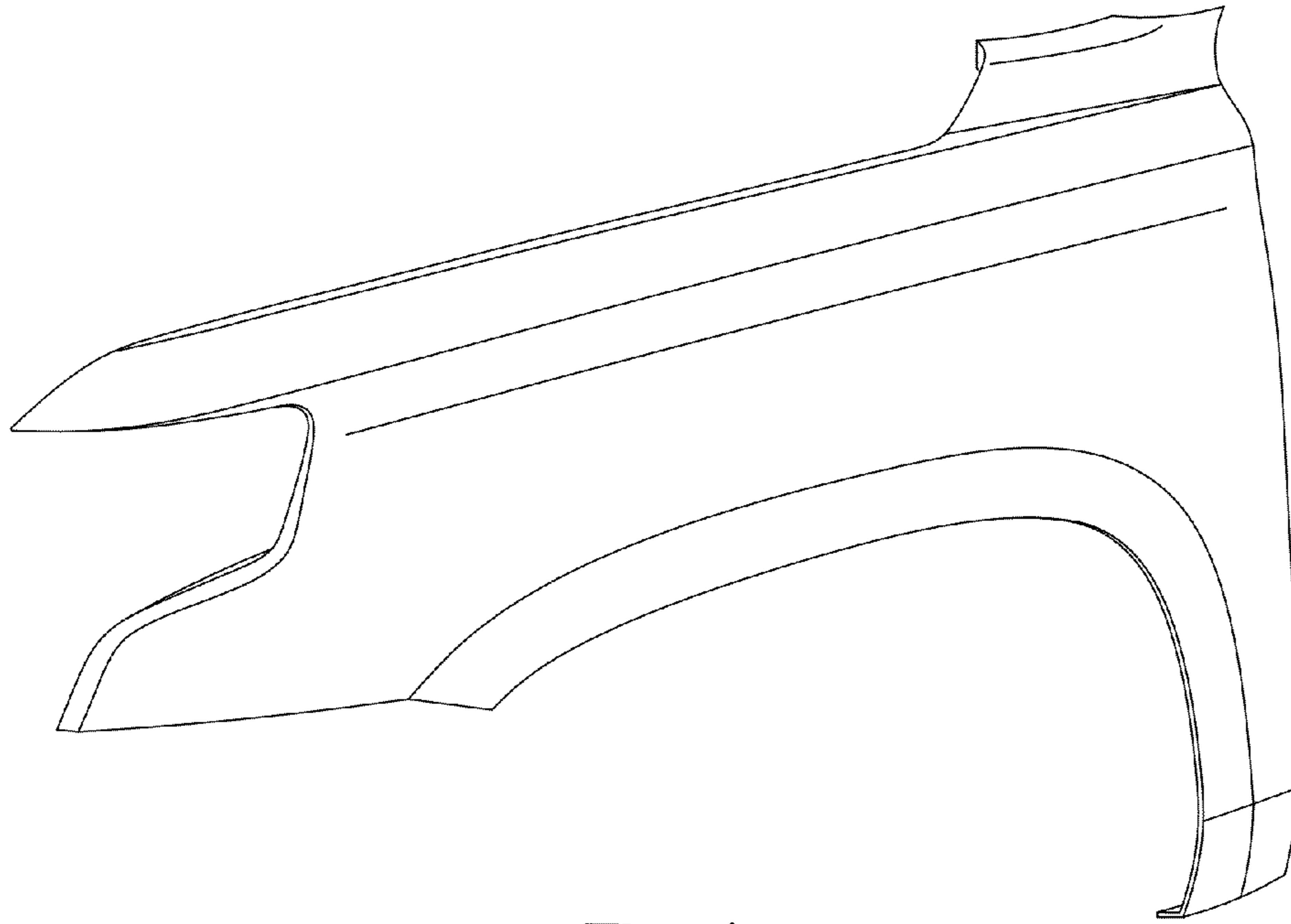


Fig-1

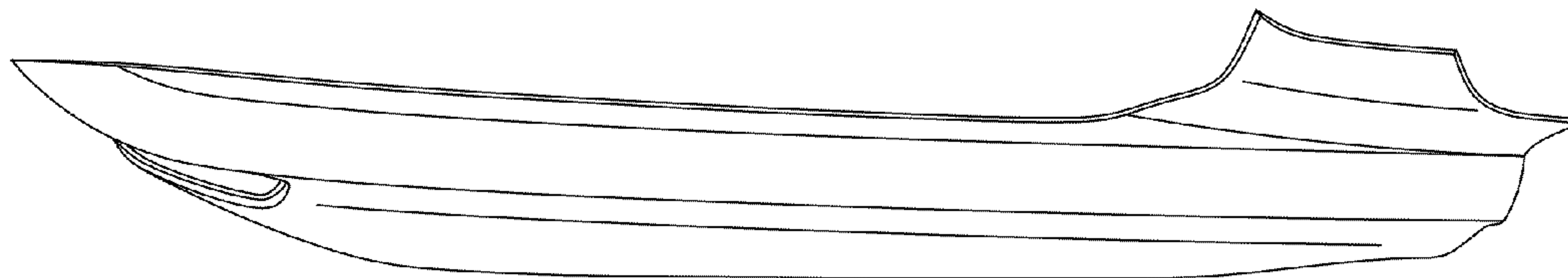


Fig-2

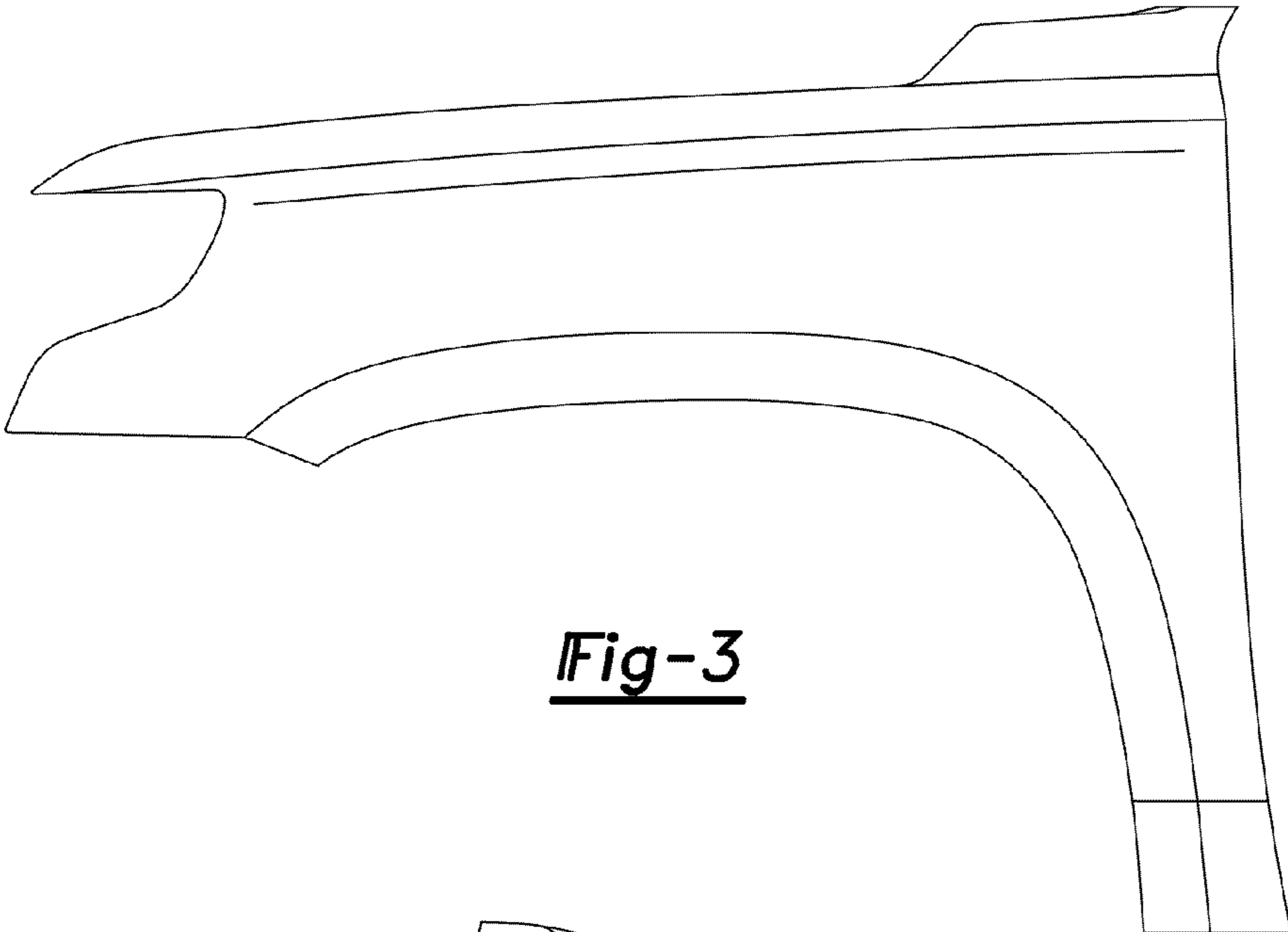


Fig-3

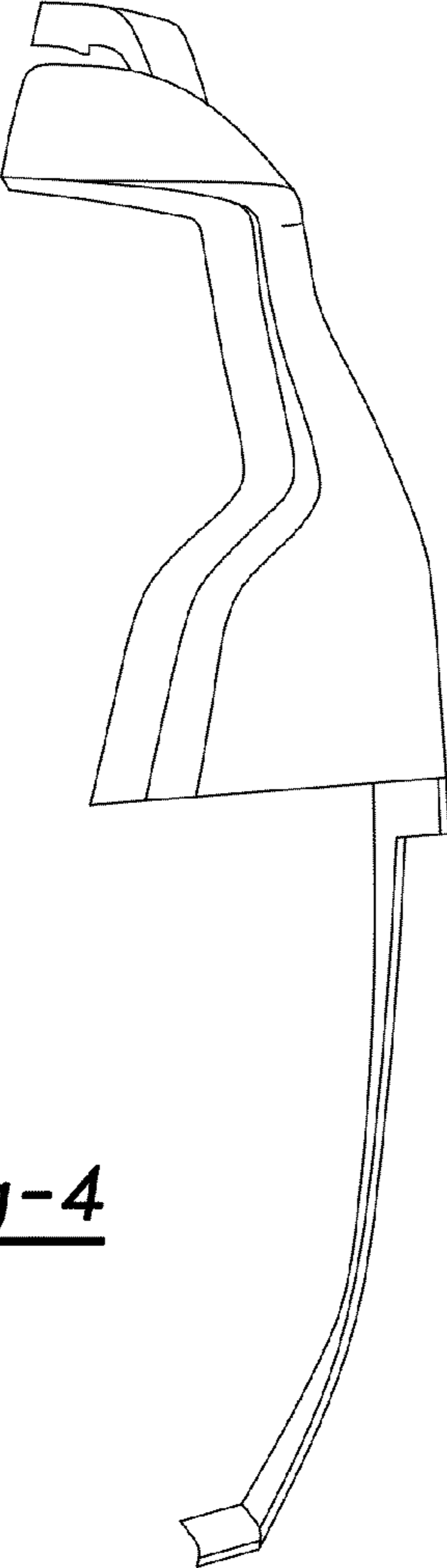


Fig-4