



US00D716707S

(12) **United States Design Patent**  
**Takei**

(10) **Patent No.:** **US D716,707 S**

(45) **Date of Patent:** **\*\* Nov. 4, 2014**

(54) **REAR BUMPER FOR AN AUTOMOBILE**

(71) Applicant: **Tatsuya Takei**, Toyota (JP)

(72) Inventor: **Tatsuya Takei**, Toyota (JP)

(73) Assignee: **Toyota Jidosha Kabushiki Kaisha**,  
Toyota-shi, Aichi-ken (JP)

(\*\*) Term: **14 Years**

(21) Appl. No.: **29/483,291**

(22) Filed: **Feb. 27, 2014**

**Related U.S. Application Data**

(62) Division of application No. 29/444,091, filed on Jan. 25, 2013.

(30) **Foreign Application Priority Data**

Jul. 27, 2012 (JP) ..... D2012-017845

Jul. 27, 2012 (JP) ..... D2012-017856

(51) **LOC (10) Cl.** ..... **12-16**

(52) **U.S. Cl.**  
USPC ..... **D12/169**

(58) **Field of Classification Search**

USPC ..... D12/86, 90, 91, 92, 163, 169, 171, 196,  
D12/216; 293/102, 113, 115, 117, 120;  
296/180.1, 180.2

See application file for complete search history.

(56) **References Cited**

**U.S. PATENT DOCUMENTS**

6,520,553 B2 \* 2/2003 Muramatsu ..... 293/155

D555,041 S \* 11/2007 Davidson ..... D12/92

D586,263 S \* 2/2009 Osborne et al. .... D12/92

D589,416 S *	3/2009	Osborne et al. ....	D12/169
D615,009 S *	5/2010	Schell et al. ....	D12/169
D619,509 S *	7/2010	Choi et al. ....	D12/164
D640,613 S *	6/2011	Bauer et al. ....	D12/169
D640,616 S *	6/2011	Schell et al. ....	D12/169
D647,831 S *	11/2011	Murakawa et al. ....	D12/169
D663,658 S *	7/2012	Karras et al. ....	D12/169
D664,486 S *	7/2012	Xu et al. ....	D12/169
D673,088 S *	12/2012	Thompson ....	D12/169

**OTHER PUBLICATIONS**

Newcarshow.com; URL: [http://www.netcarshow.com/audi/2021-s5\\_sportback/800x600/wallpaper\\_18.htm](http://www.netcarshow.com/audi/2021-s5_sportback/800x600/wallpaper_18.htm); Mfg.: Audi; Model: Audi S5 Sportback (2012); available on at least Dec. 21, 2011.

Newcarshow.com; URL: [http://www.netcarshow.com/bmw/2012-3-series/800x600/wallpaper\\_70.htm](http://www.netcarshow.com/bmw/2012-3-series/800x600/wallpaper_70.htm); Mfg.: BMW; Model: BMW 3-Series (2012); available on at least Dec. 21, 2011.

(Continued)

*Primary Examiner* — Philip S Hyder

*Assistant Examiner* — Darlington Ly

(74) *Attorney, Agent, or Firm* — Finnegan, Henderson, Farabow, Garrett & Dunner, LLP

(57) **CLAIM**

The ornamental design for a rear bumper for an automobile, as shown and described.

**DESCRIPTION**

FIG. 1 is a perspective view of a rear bumper for an automobile showing my new design;

FIG. 2 is a front view thereof;

FIG. 3 is a rear view thereof;

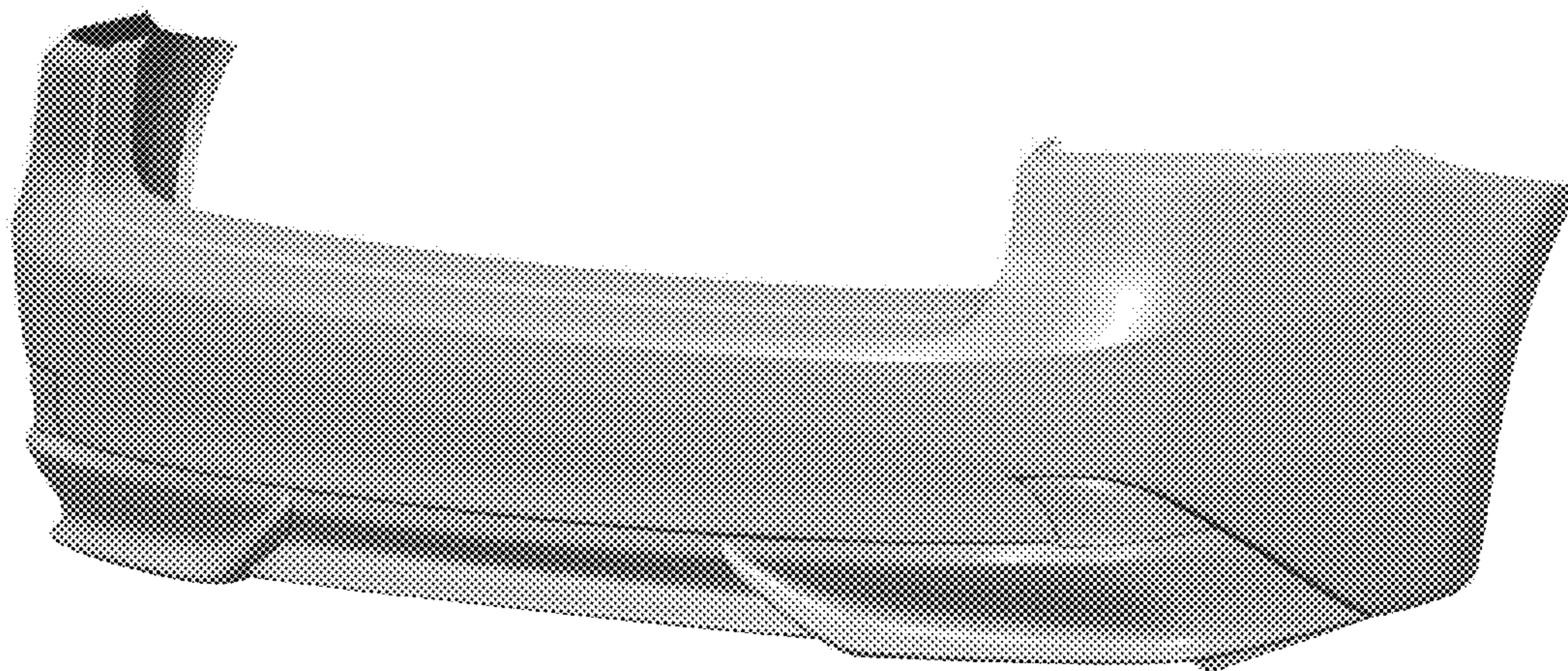
FIG. 4 is a left side elevation view thereof;

FIG. 5 is a right side view thereof;

FIG. 6 is a top plan view thereof; and,

FIG. 7 is a bottom view thereof.

**1 Claim, 6 Drawing Sheets**



(56)

**References Cited**

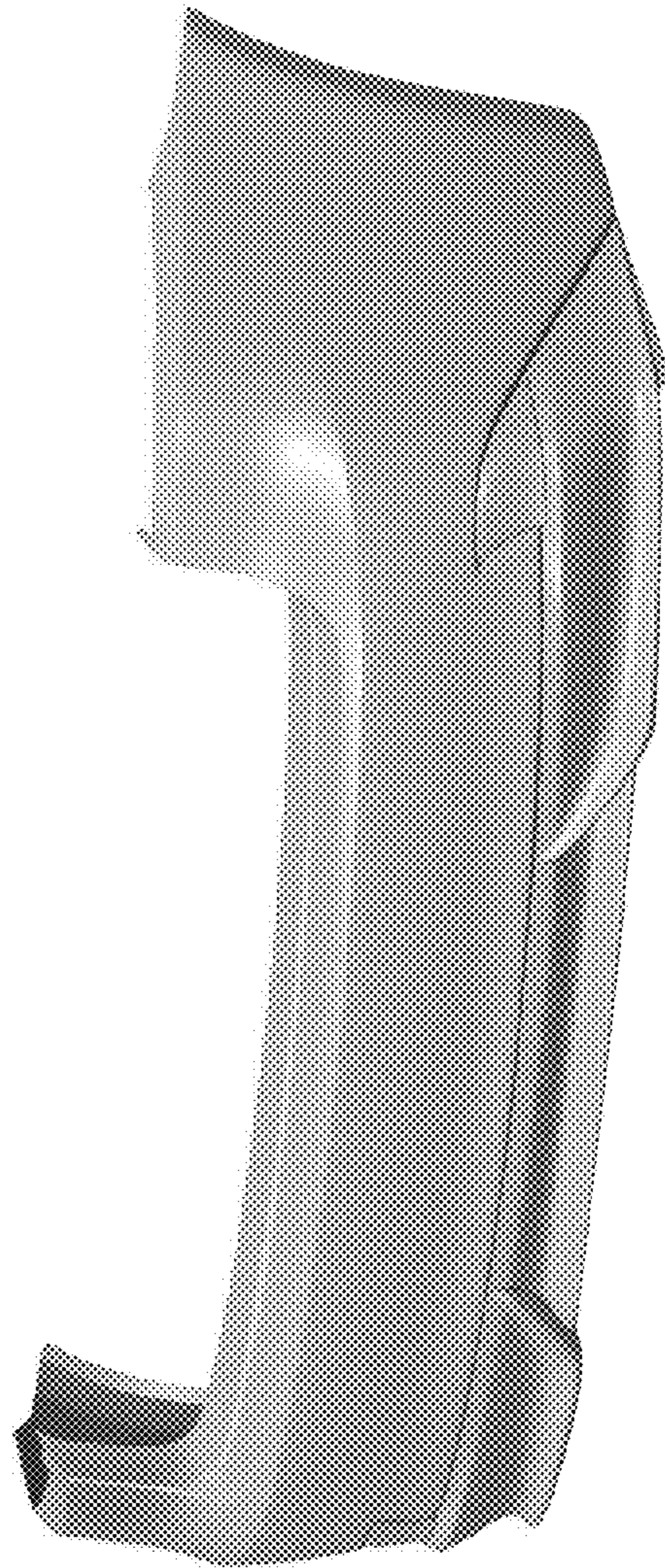
OTHER PUBLICATIONS

Newcarshow.com; URL: [http://www.netcarshow.com/toyota/2012-ns4\\_advanced\\_plug-in\\_hybrid\\_concept/800x600/wallpaper.0d.htm](http://www.netcarshow.com/toyota/2012-ns4_advanced_plug-in_hybrid_concept/800x600/wallpaper.0d.htm); [http://www.netcarshow.com/toyota/2012-ns4\\_advanced-plug-in\\_hybrid\\_concept/800x600/wallpaper\\_0a.htm](http://www.netcarshow.com/toyota/2012-ns4_advanced-plug-in_hybrid_concept/800x600/wallpaper_0a.htm); Mfg. Toyota;

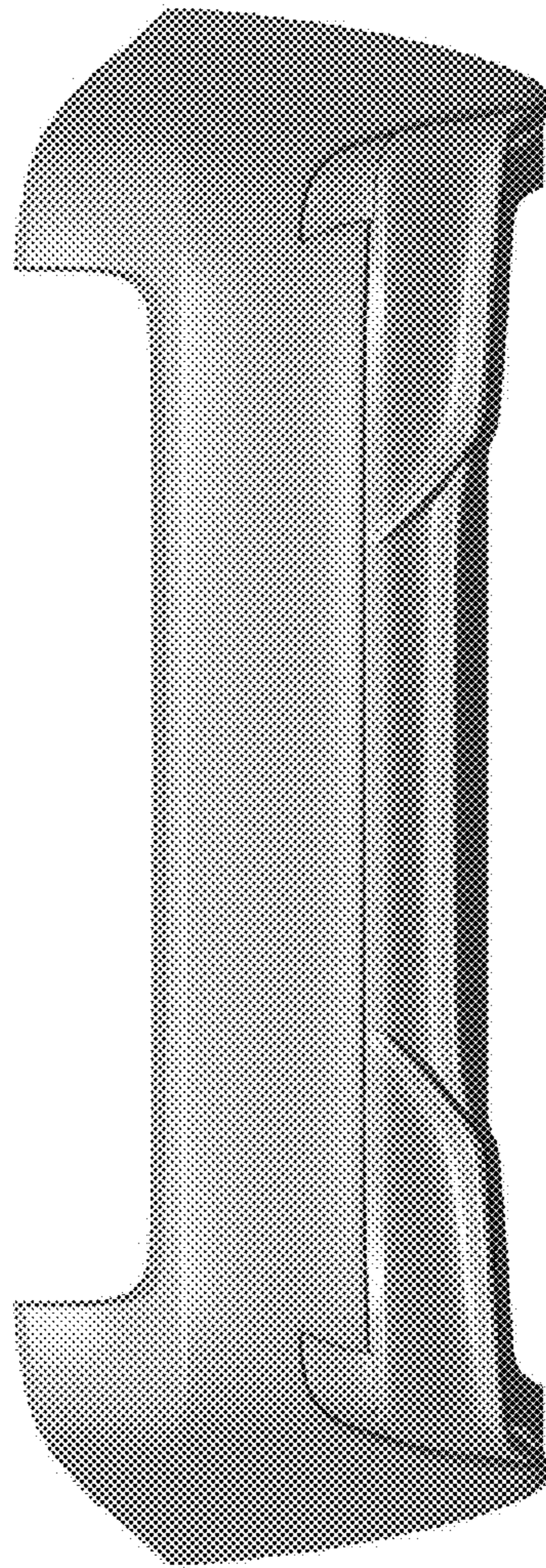
Model: Toyota NS4 Advanced Plug-in Hybrid Concept (2012); available on at least Feb. 3, 2012.

Newcarshow.com; URL: [http://www.netcarshow.com/toyota/2011-ft-86-ii\\_concept/800x600/wallpaper\\_07.htm](http://www.netcarshow.com/toyota/2011-ft-86-ii_concept/800x600/wallpaper_07.htm); Mfg.: Toyota; Model: Toyota FT-86 II Concept (2011); available on at least Feb. 3, 2012.

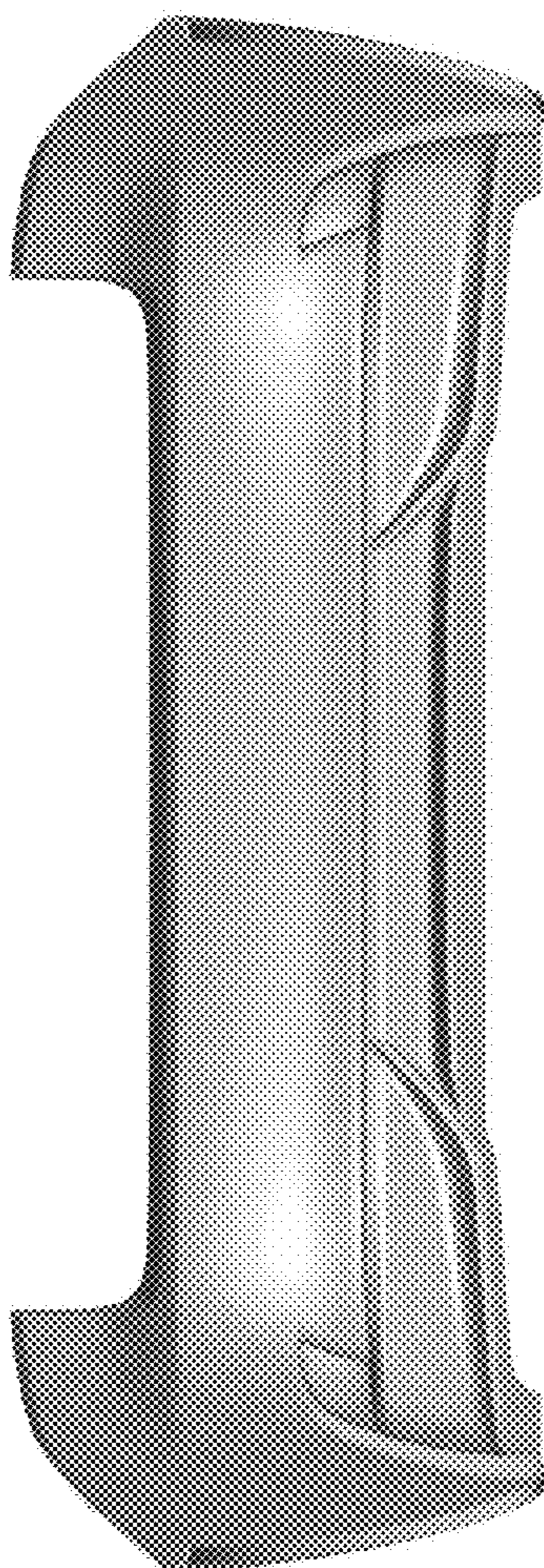
\* cited by examiner



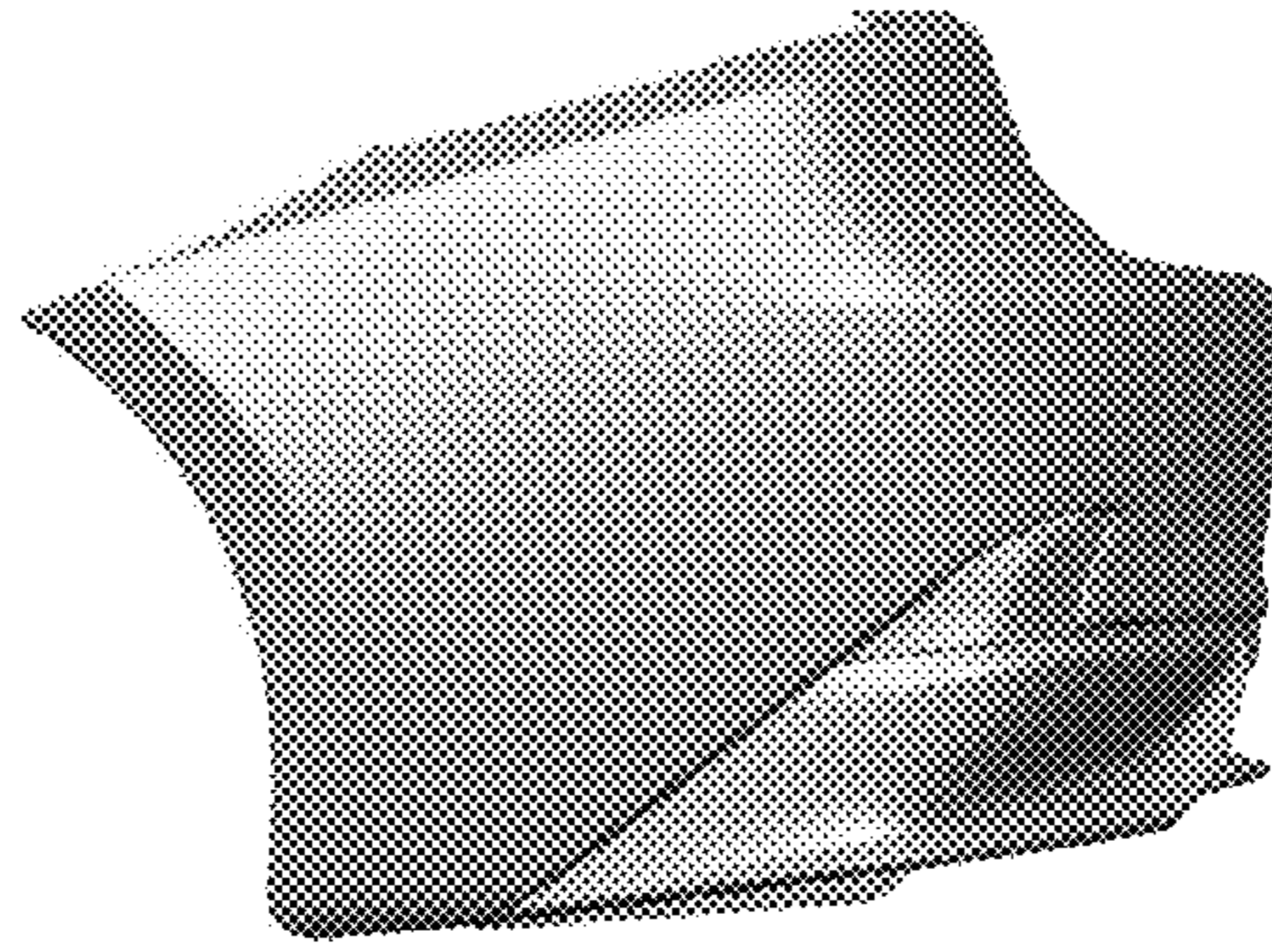
**FIG. 1**



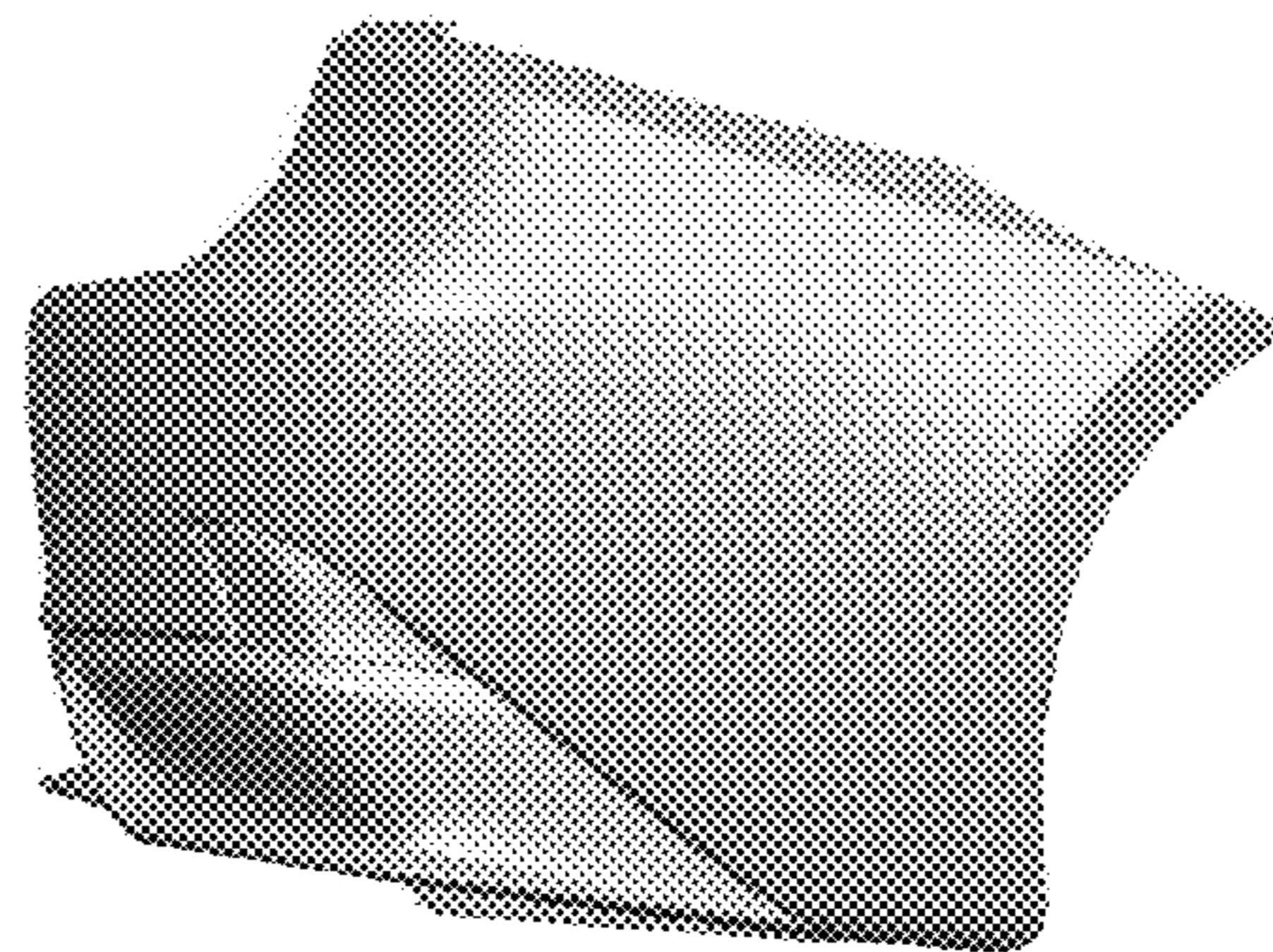
**FIG. 2**



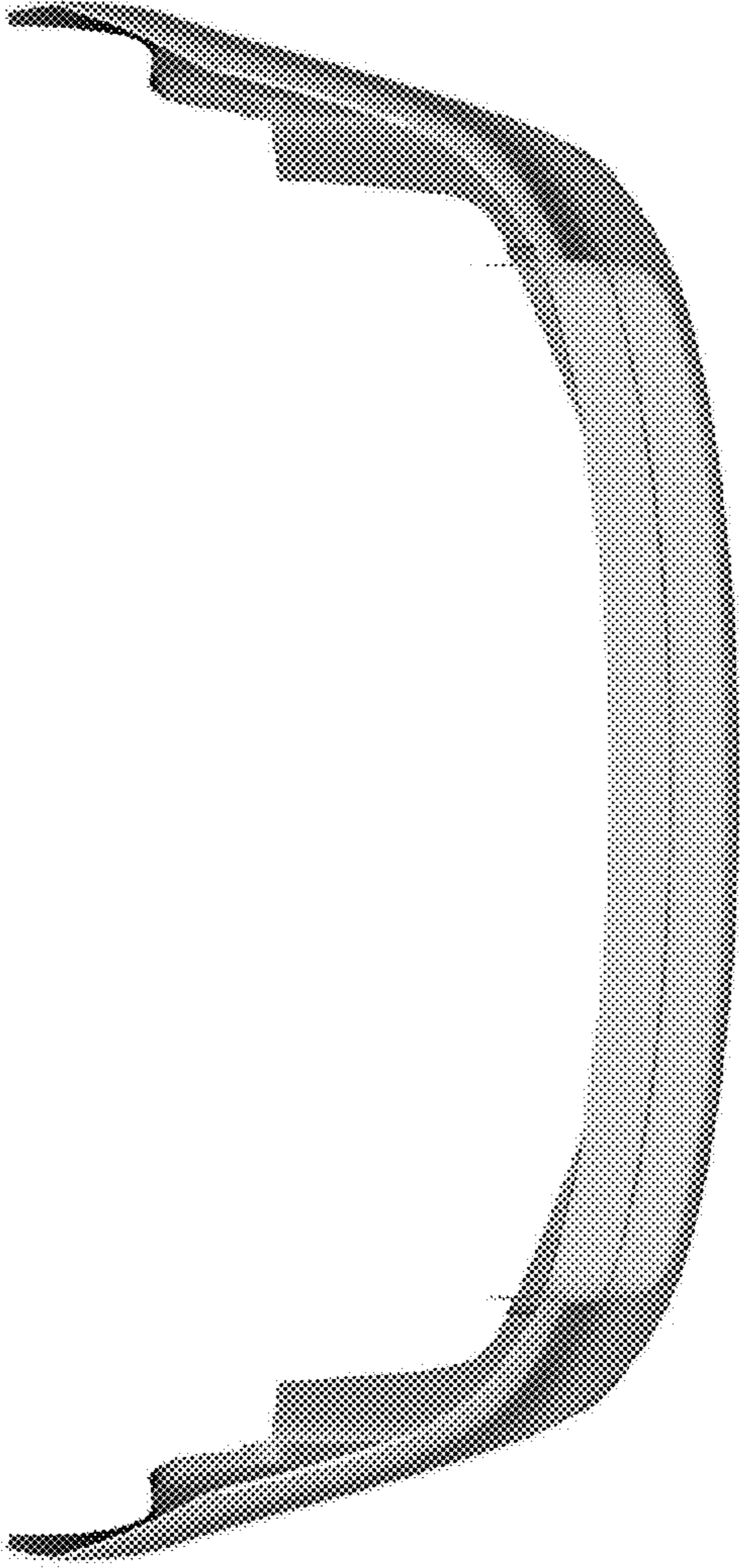
**FIG. 3**



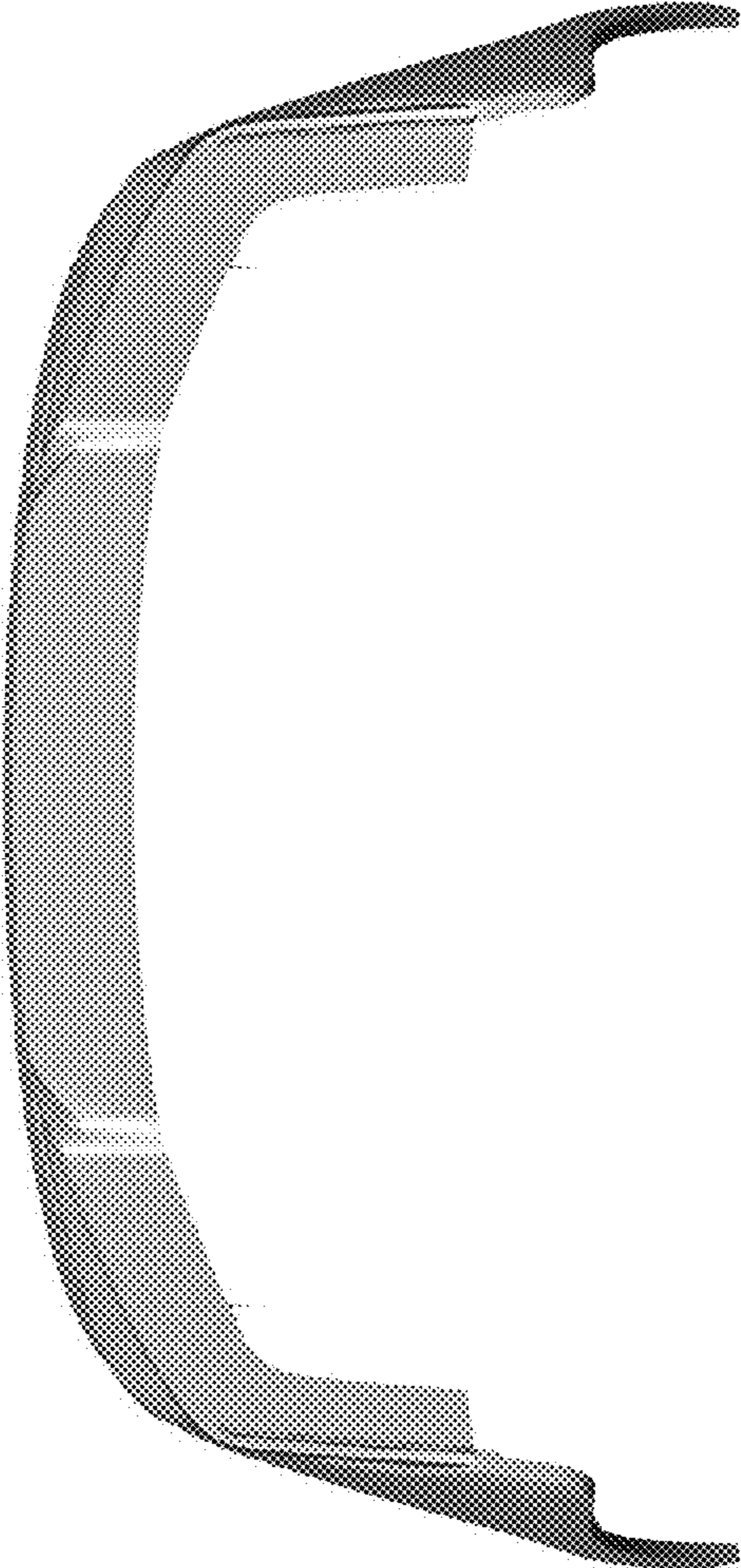
**FIG. 4**



**FIG. 5**



**FIG. 6**



**FIG. 7**