



US00D716706S

(12) **United States Design Patent**  
**Thole et al.**

(10) **Patent No.:** **US D716,706 S**

(45) **Date of Patent:** **\*\* Nov. 4, 2014**

(54) **VEHICLE GRILLE**

(71) Applicant: **GM Global Technology Operations LLC**, Detroit, MI (US)

(72) Inventors: **Louis D. Thole**, Grosse Pointe Park, MI (US); **Tyler L. H. Moffett**, Detroit, MI (US); **Warrack N. Leach**, Brunswick East (AU)

(73) Assignee: **GM Global Technology Operations LLC**, Detroit, MI (US)

(\*\*) Term: **14 Years**

(21) Appl. No.: **29/466,635**

(22) Filed: **Sep. 10, 2013**

(51) **LOC (10) Cl.** ..... **12-16**

(52) **U.S. Cl.**  
USPC ..... **D12/163**

(58) **Field of Classification Search**  
USPC ..... D12/163, 196, 86, 90-92, 171, 169, D12/216; 180/68.1, 68.6; 293/193.11, 115  
See application file for complete search history.

(56) **References Cited**

**U.S. PATENT DOCUMENTS**

D475,955 S \* 6/2003 Leazenby ..... D12/163  
D489,298 S \* 5/2004 Elwell ..... D12/163

D492,624 S \* 7/2004 Elwell et al. .... D12/163  
D569,772 S \* 5/2008 Saridakis et al. .... D12/163  
D589,853 S \* 4/2009 Saridakis et al. .... D12/163  
D600,170 S \* 9/2009 Endoh ..... D12/163  
D607,785 S \* 1/2010 Walter et al. .... D12/163  
D633,832 S \* 3/2011 Matei et al. .... D12/163  
D637,532 S \* 5/2011 Miyazawa ..... D12/163  
D651,142 S \* 12/2011 Fushimi ..... D12/163  
D665,313 S \* 8/2012 Asakura ..... D12/163  
D679,225 S \* 4/2013 Gifford ..... D12/163  
D698,288 S \* 1/2014 Riggs et al. .... D12/163

\* cited by examiner

*Primary Examiner* — Melody Brown

(74) *Attorney, Agent, or Firm* — Lionel D. Anderson; Reising Ethington P.C.

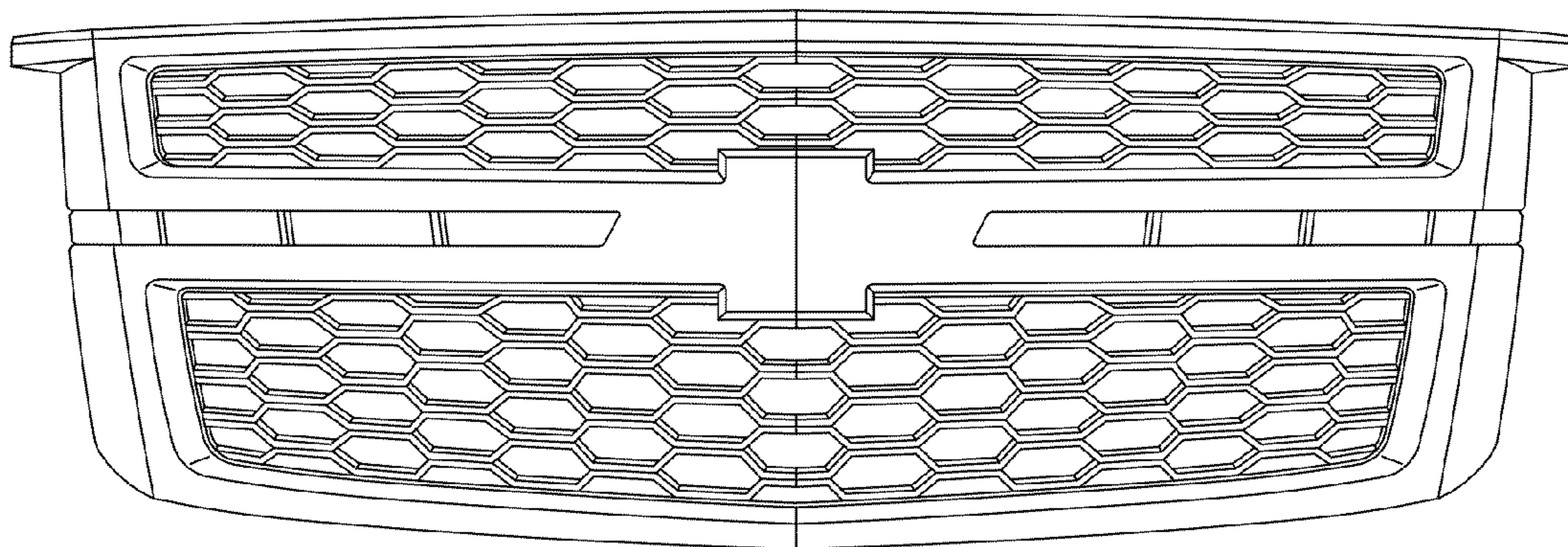
(57) **CLAIM**

The ornamental design for a vehicle grille, as shown and described.

**DESCRIPTION**

FIG. 1 is a perspective view of a vehicle grille; FIG. 2 is a top view of the vehicle grille; FIG. 3 is a front view of the vehicle grille; and, FIG. 4 is a side view of the vehicle grille. In the drawings, the portions shown by broken lines form no part of the claim.

**1 Claim, 2 Drawing Sheets**



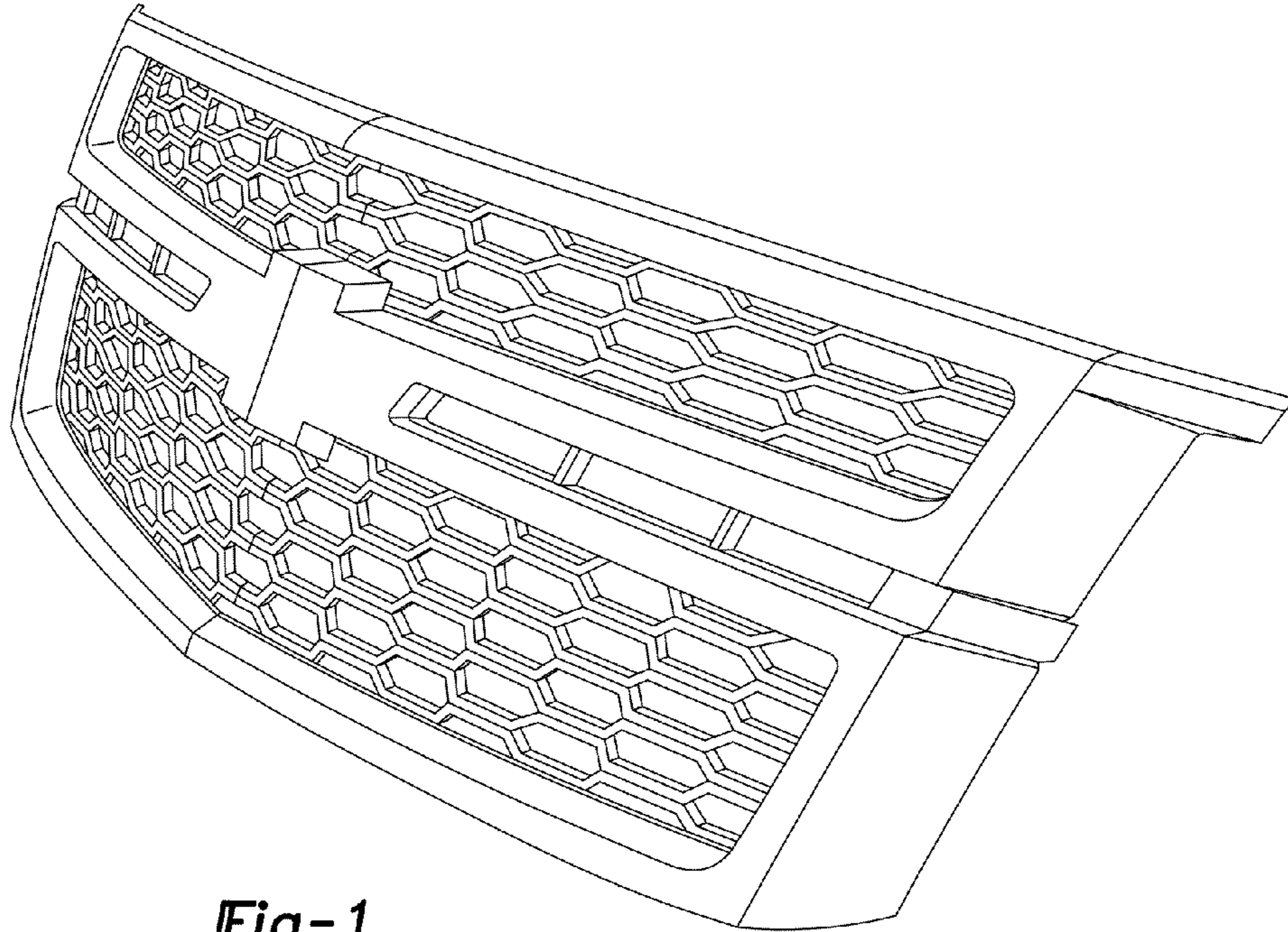


Fig-1

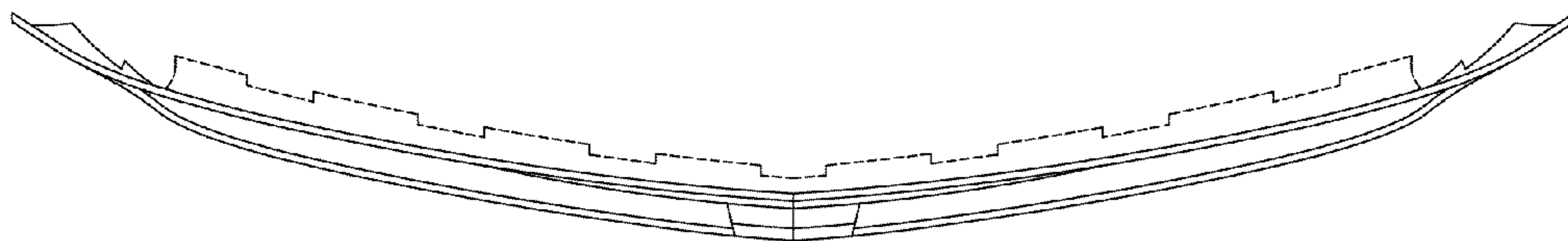


Fig-2

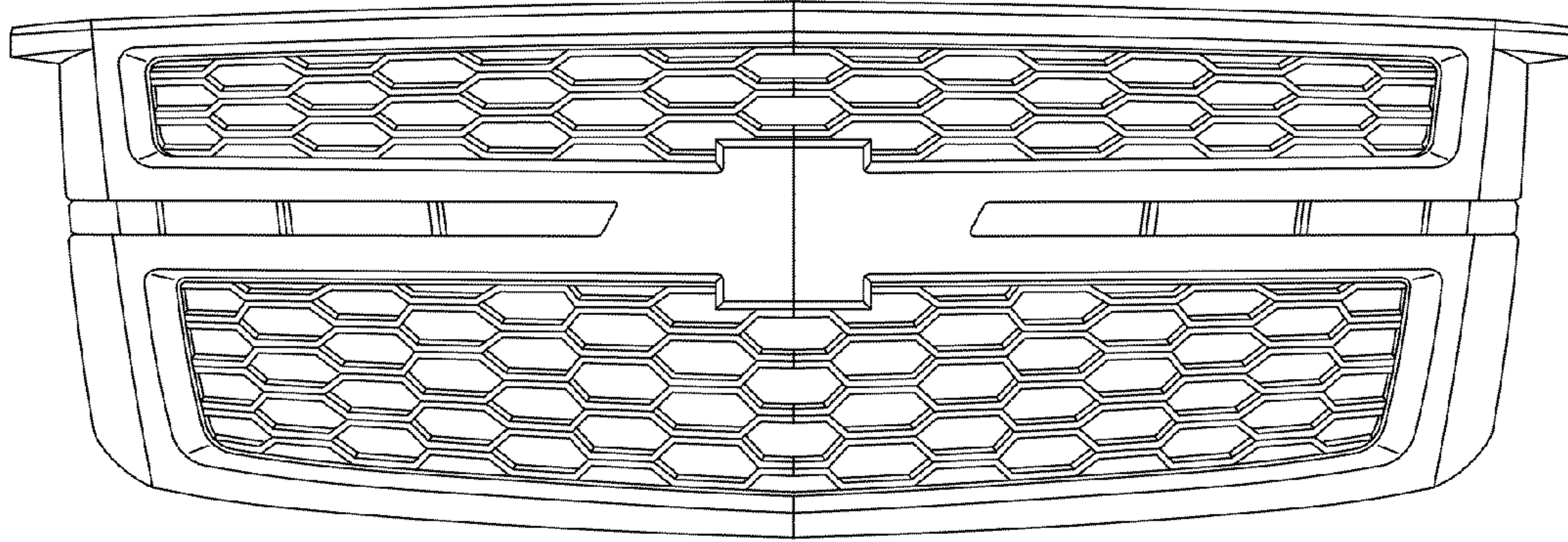


Fig-3

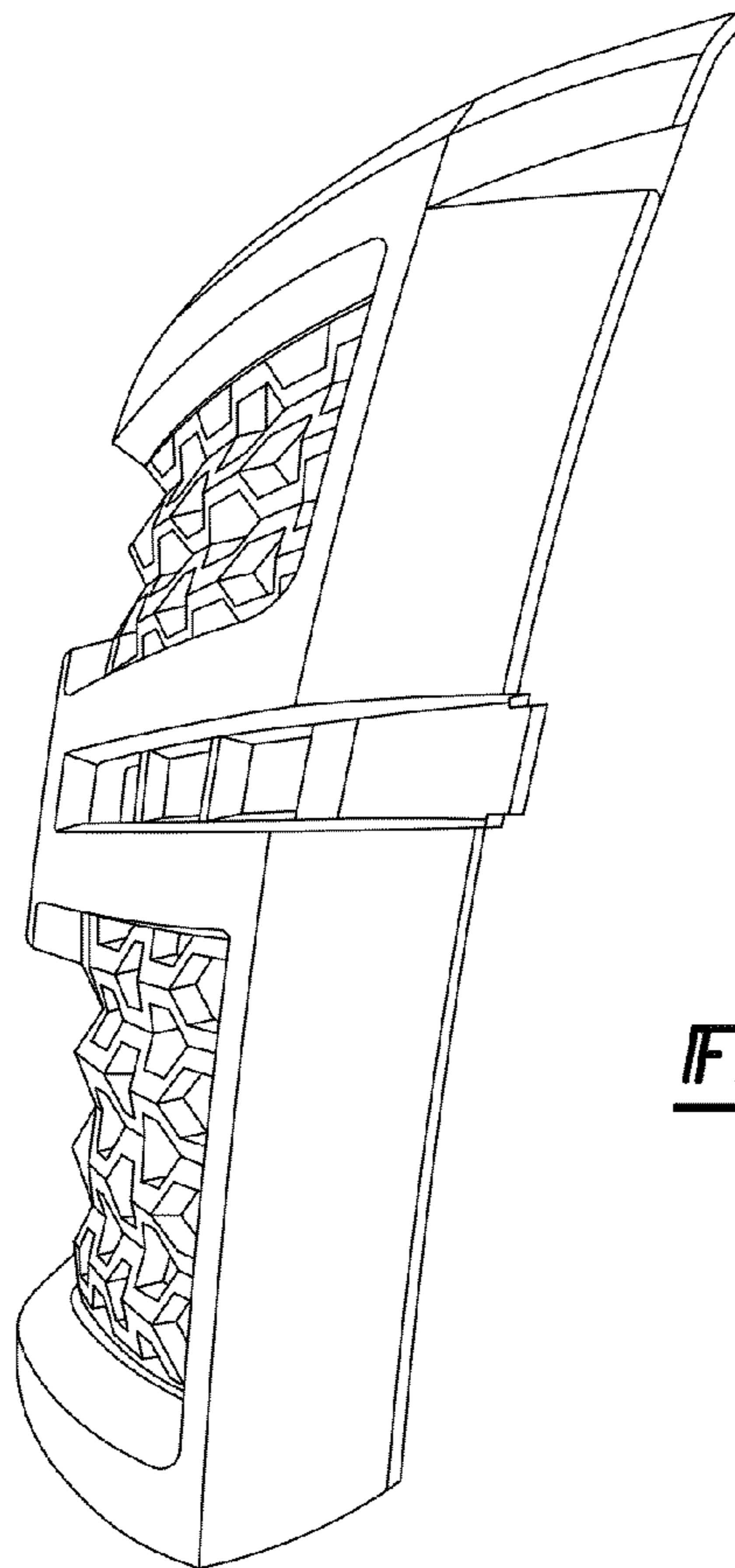


Fig-4