

US00D716704S

(12) **United States Design Patent**
Schanz et al.

(10) **Patent No.:** **US D716,704 S**
(45) **Date of Patent:** **** Nov. 4, 2014**

(54) **CYLINDER PROTECTOR FOR MOTORCYCLES**

(71) Applicant: **Touratech AG**, Niedereschach (DE)

(72) Inventors: **Jochen Schanz**, Niedereschach (DE);
Herbert Schwarz, Niedereschach (DE)

(73) Assignee: **Touratech AG**, Niedereschach (DE)

(**) Term: **14 Years**

(21) Appl. No.: **29/460,584**

(22) Filed: **Jul. 12, 2013**

(30) **Foreign Application Priority Data**

Jan. 14, 2013 (EP) 001357404 0001

(51) **LOC (10) Cl.** **12-11**

(52) **U.S. Cl.**
USPC **D12/126**

(58) **Field of Classification Search**
USPC 181/231; 180/219, 220; 280/124.128;
303/115.4; D12/126
See application file for complete search history.

(56) **References Cited**

U.S. PATENT DOCUMENTS

2002/0185323 A1* 12/2002 Tsutsumi et al. 180/219
2007/0266968 A1* 11/2007 Hanold et al. 123/90.1

2007/0266987 A1* 11/2007 Hanold et al. 123/196 R
2008/0079310 A1* 4/2008 Yamakura et al. 303/115.4
2009/0058030 A1* 3/2009 Fujita et al. 280/124.128
2010/0126306 A1* 5/2010 Ito et al. 74/607
2010/0194149 A1* 8/2010 Yamamoto 296/198
2011/0017560 A1* 1/2011 Van Dyke et al. 188/344
2011/0088967 A1* 4/2011 Tabata 181/231
2012/0073893 A1* 3/2012 Muroo et al. 180/311
2012/0186245 A1* 7/2012 Schmitt et al. 60/533
2013/0081894 A1* 4/2013 Ishikawa et al. 180/220
2013/0168173 A1* 7/2013 Kikuchi 180/220
2014/0098552 A1* 4/2014 Aron 362/473
2014/0102846 A1* 4/2014 Raber et al. 192/70.11

* cited by examiner

Primary Examiner — Eric Goodman

Assistant Examiner — Ryan Harvey

(74) *Attorney, Agent, or Firm* — Tarolli, Sundheim, Covell & Tummino LLP

(57) **CLAIM**

We claim the ornamental design for a cylinder protector for motorcycles, as shown and described.

DESCRIPTION

FIG. 1 is a top view of a cylinder protector for motorcycles; FIG. 2 is a front view of the design; FIG. 3 is a back view of the design; FIG. 4 is a perspective bottom view of the design; FIG. 5 is a perspective top view of the design; and, FIG. 6 is a side view of the design.

1 Claim, 6 Drawing Sheets

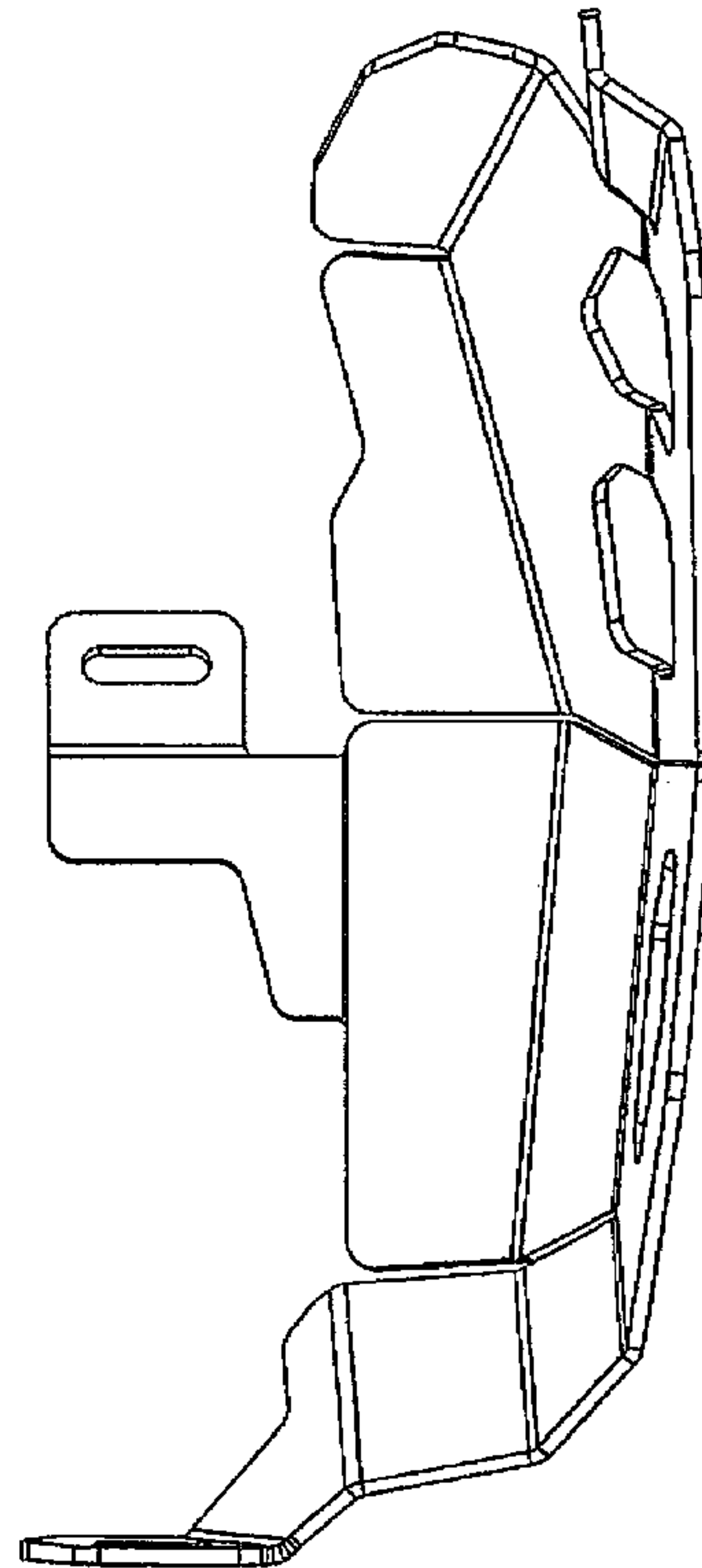
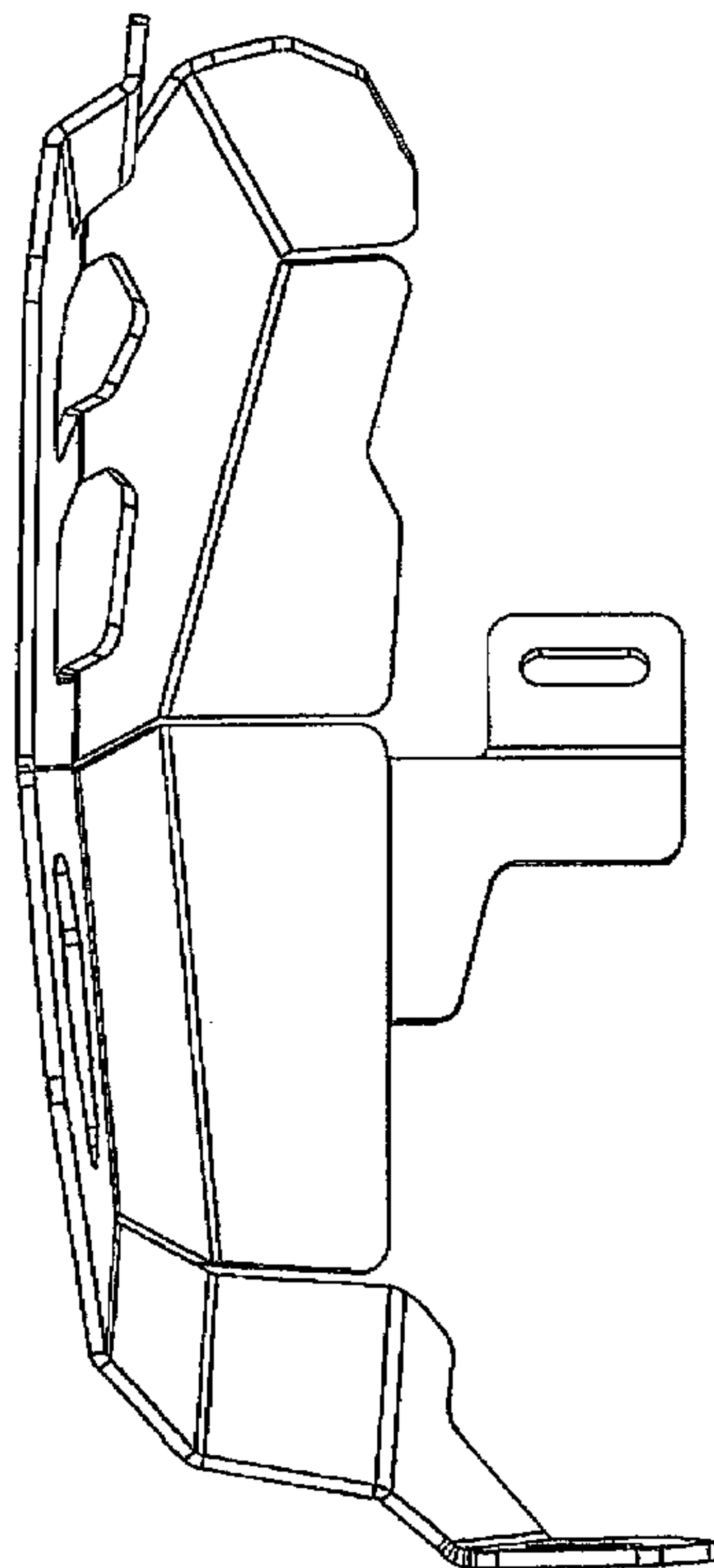
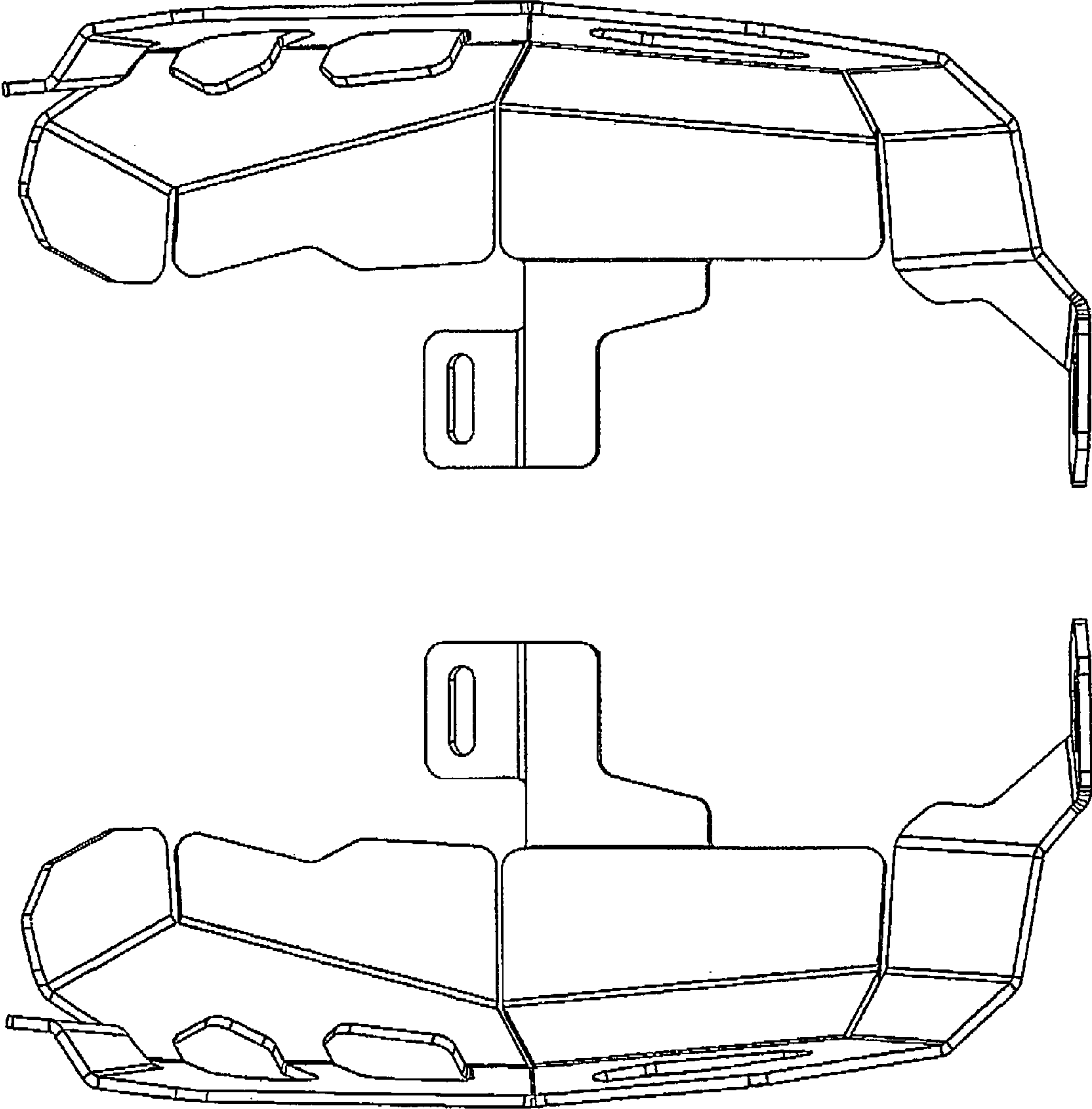


FIG. 1



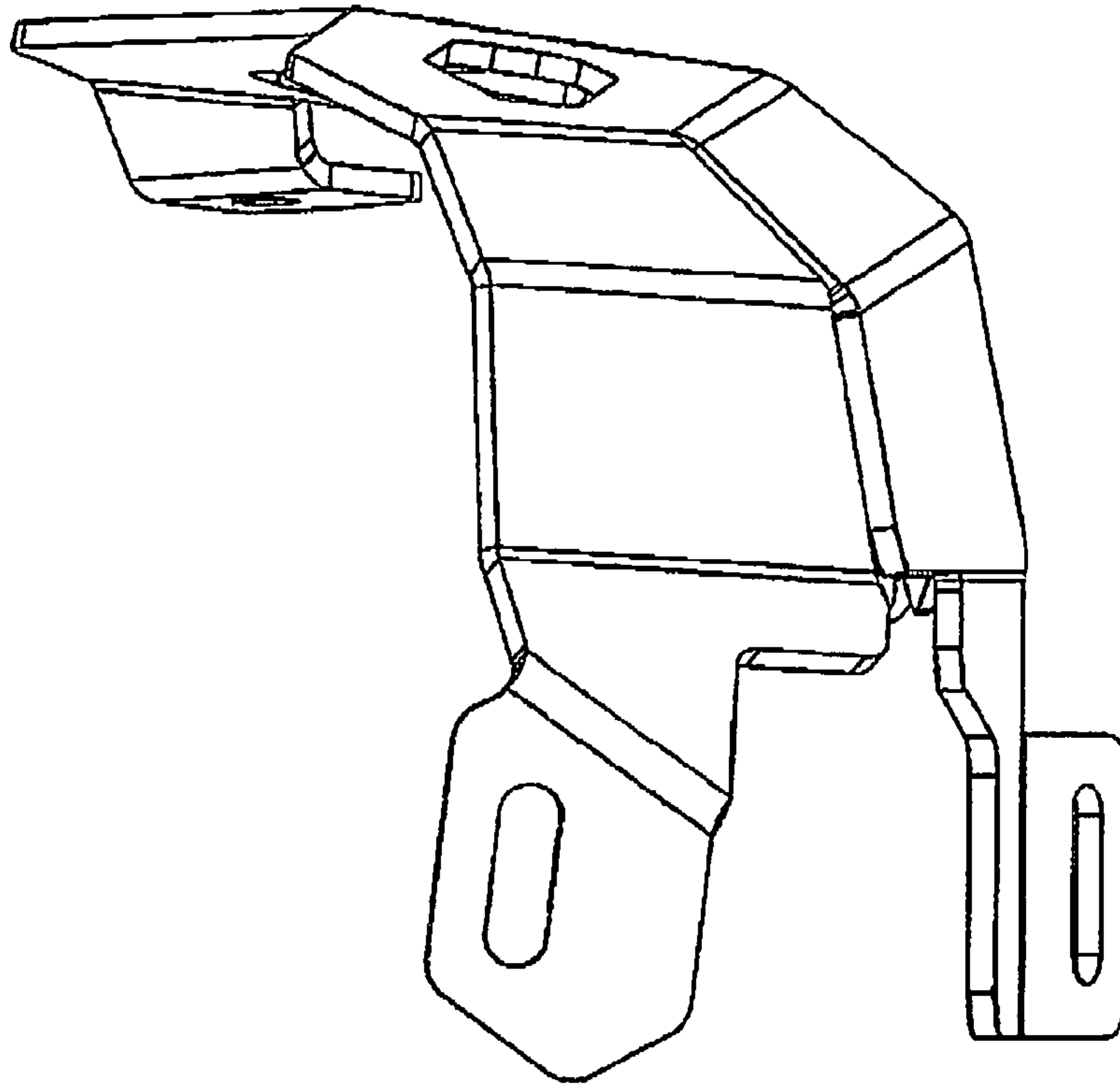
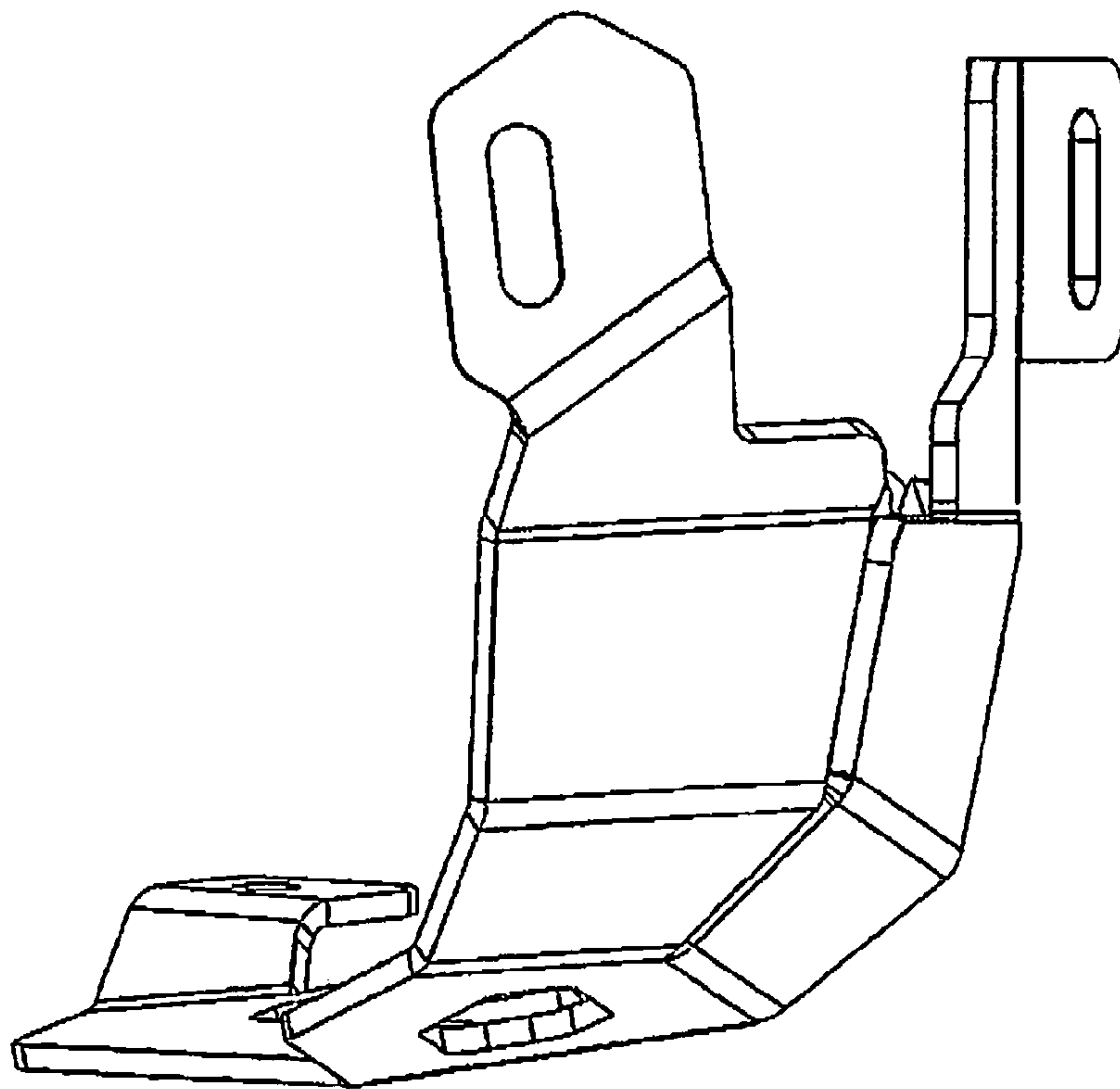


FIG. 2



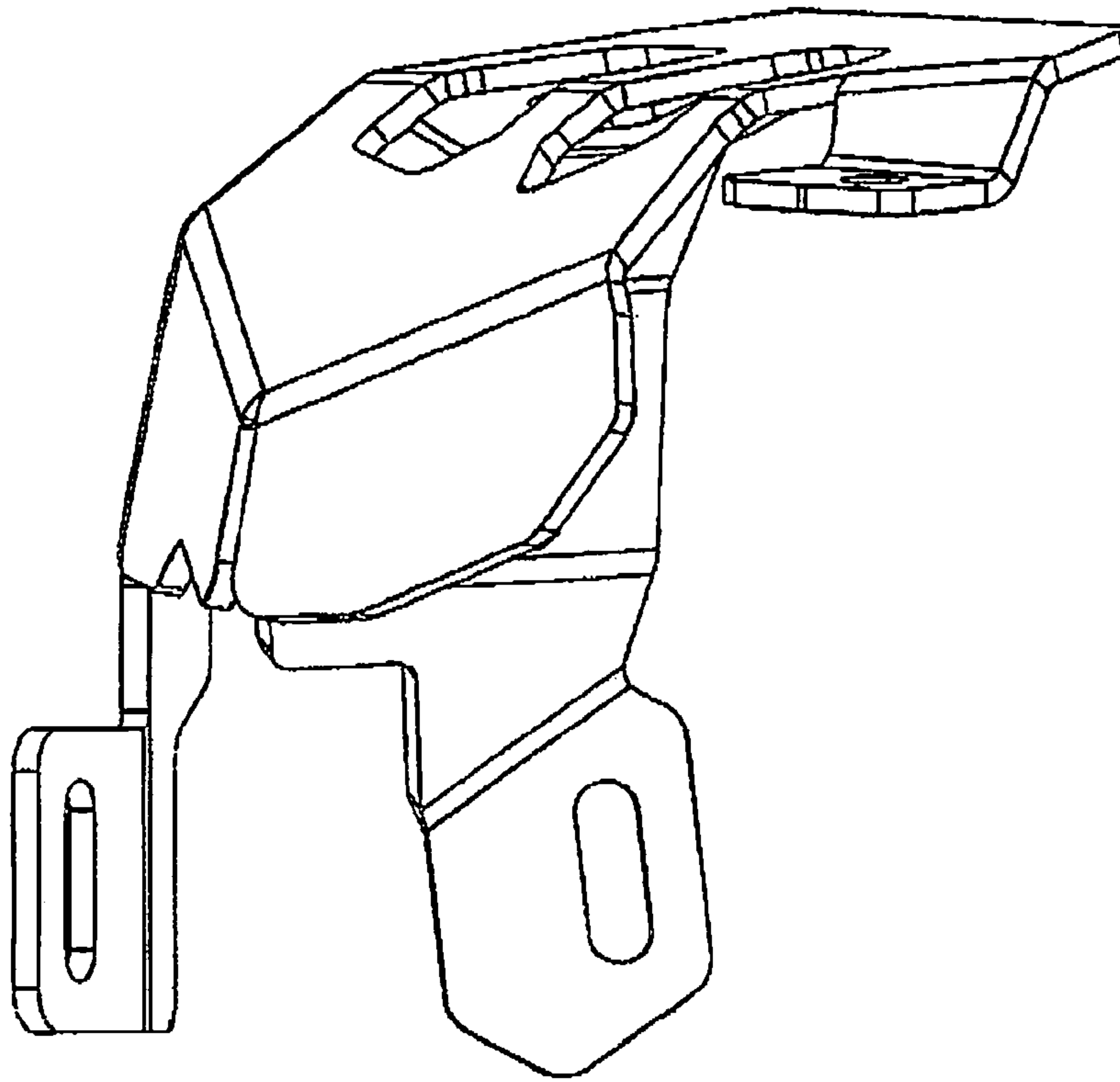
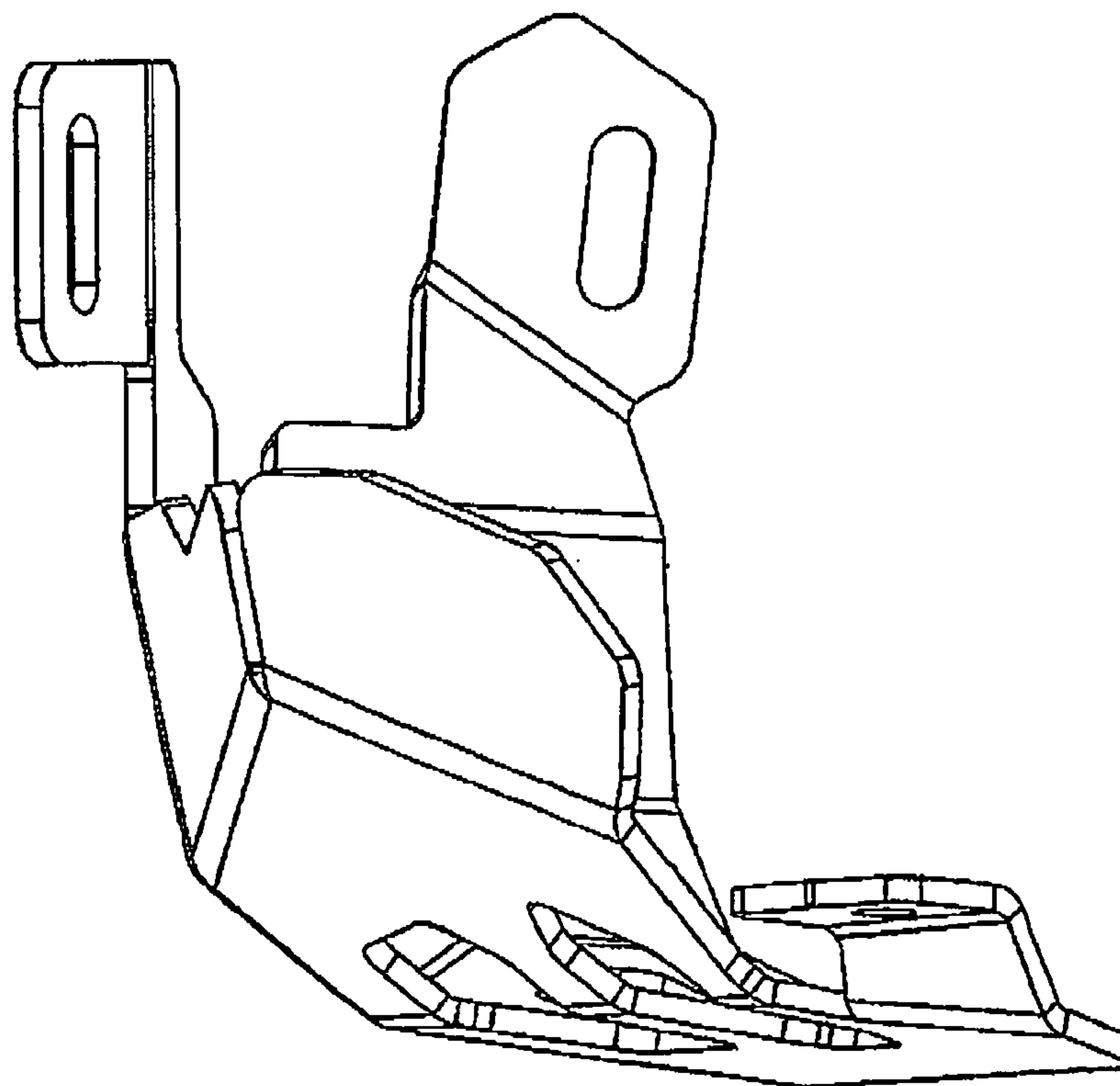


FIG. 3



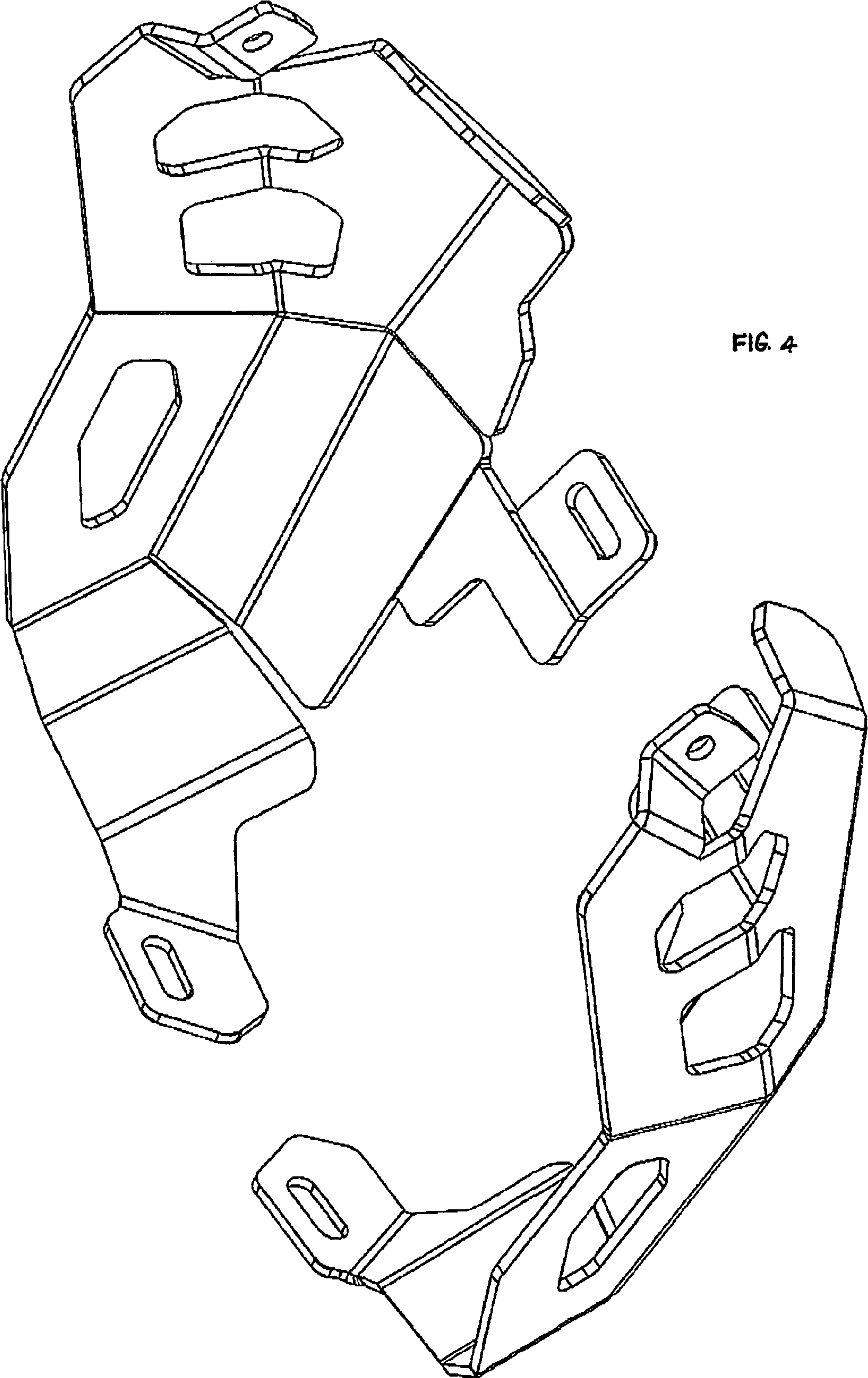


FIG. 4

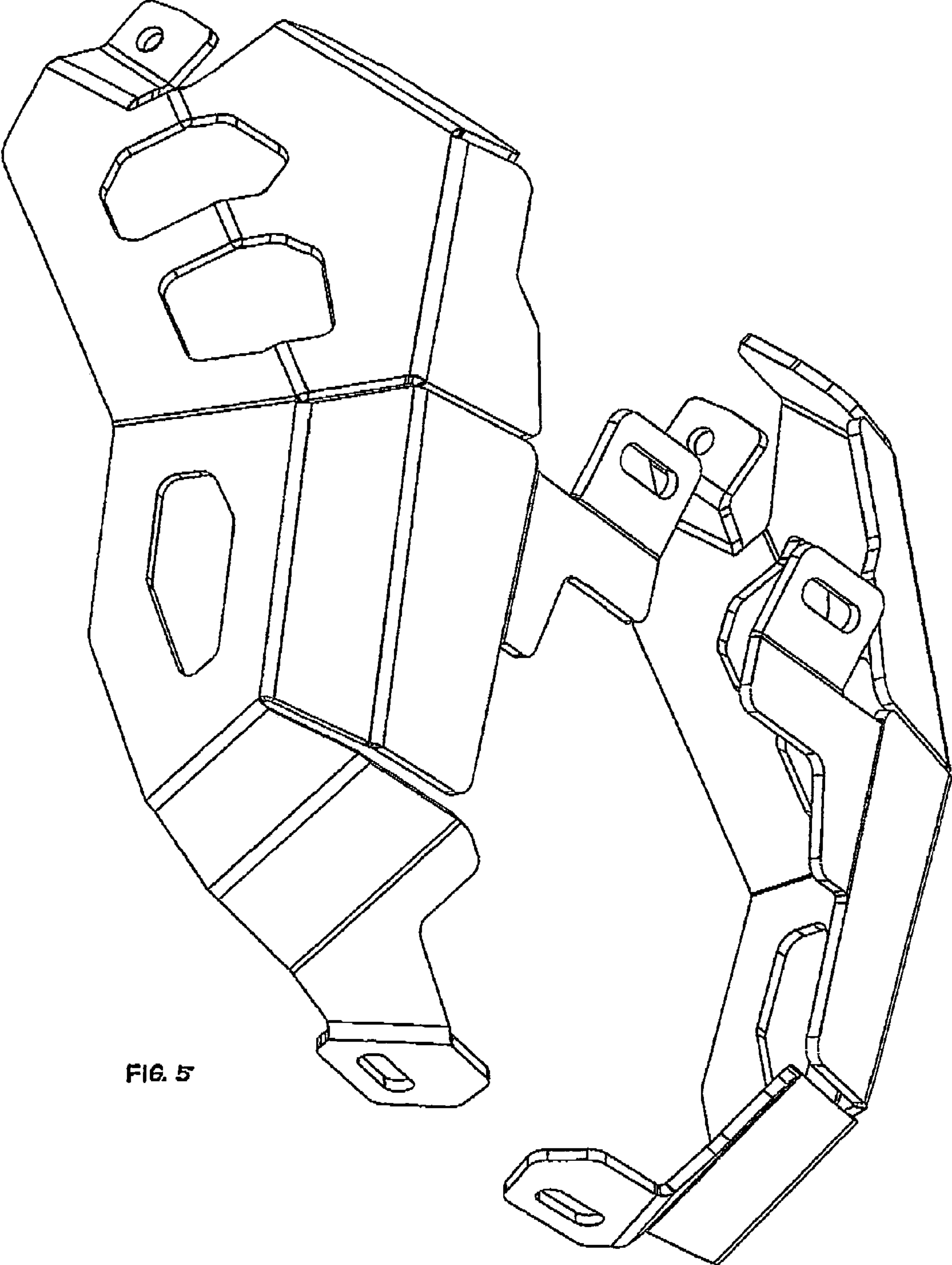


FIG. 5

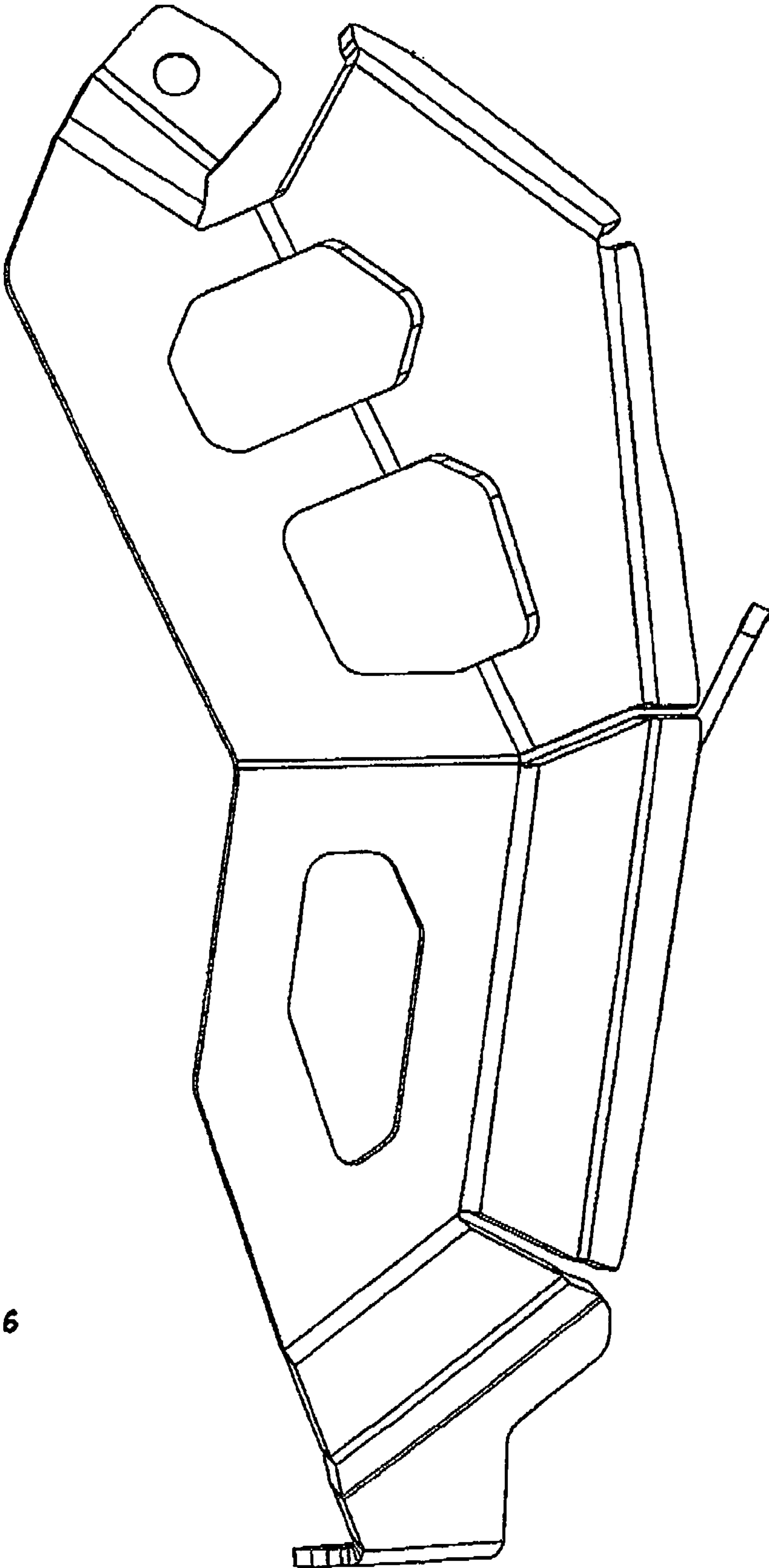


FIG 6