



US00D716703S

(12) **United States Design Patent**
Li

(10) **Patent No.:** **US D716,703 S**
(45) **Date of Patent:** **** Nov. 4, 2014**

(54) **BICYCLE SEATPOST**
(71) Applicant: **Mu-Rong Li**, Taichung (TW)
(72) Inventor: **Mu-Rong Li**, Taichung (TW)
(73) Assignee: **BLKTEC Inc.**, Tortola (VG)
(**) Term: **14 Years**

(21) Appl. No.: **29/457,770**
(22) Filed: **Jun. 13, 2013**
(51) **LOC (10) Cl.** **12-11**
(52) **U.S. Cl.**
USPC **D12/119**
(58) **Field of Classification Search**
CPC B62J 1/08; B62J 1/00; B62J 1/007;
B62K 3/002; B62M 1/26
USPC 280/221, 226.1; 297/195.1, 344.18;
D12/119, 159; 248/629; D8/107, 75;
D26/68; 30/308.1; 16/421; 7/145, 167;
81/489
See application file for complete search history.

(56) **References Cited**
U.S. PATENT DOCUMENTS
D355,830 S * 2/1995 Pecora et al. D8/107
5,425,176 A * 6/1995 Brainerd et al. 30/308.1
D369,577 S * 5/1996 Liou D12/119
5,568,958 A * 10/1996 Chen 297/215.15
D411,896 S * 7/1999 Houston D26/68

D416,462 S * 11/1999 Pringle et al. D8/75
D502,674 S * 3/2005 Drew et al. D12/119
D651,947 S * 1/2012 Hsu D12/159
D679,224 S * 4/2013 Li D12/119
8,550,551 B2 * 10/2013 Shirai 297/215.13
2011/0210231 A1 * 9/2011 D'Aluisio 248/629
2013/0214116 A1 * 8/2013 Li 248/560
2014/0145479 A1 * 5/2014 Li 297/195.1

* cited by examiner

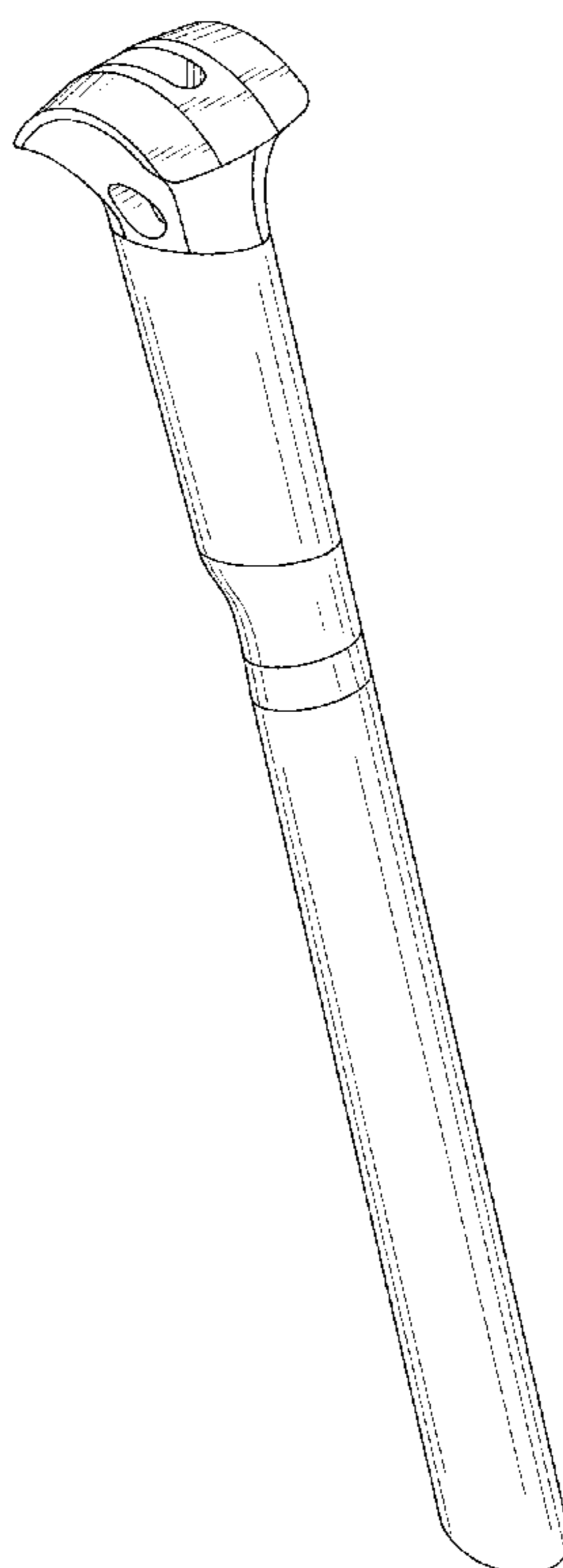
Primary Examiner — Eric Goodman
Assistant Examiner — Ryan Harvey

(57) **CLAIM**
The ornamental design for a bicycle seatpost, as shown and described.

DESCRIPTION

FIG. 1 is a perspective view of a bicycle seatpost illustrating my new design;
FIG. 2 is a front elevational view thereof;
FIG. 3 is a rear elevational view thereof;
FIG. 4 is a left side view thereof;
FIG. 5 is a right side view thereof;
FIG. 6 is a top plan view thereof;
FIG. 7 is a bottom plan view thereof; and,
FIG. 8 is another perspective view thereof showing in phantom a saddle assembled on top of the bicycle seatpost.
The broken line showing of the saddle is for the purpose of illustrating portions of the bicycle seatpost and forms no part of the claimed design.

1 Claim, 7 Drawing Sheets



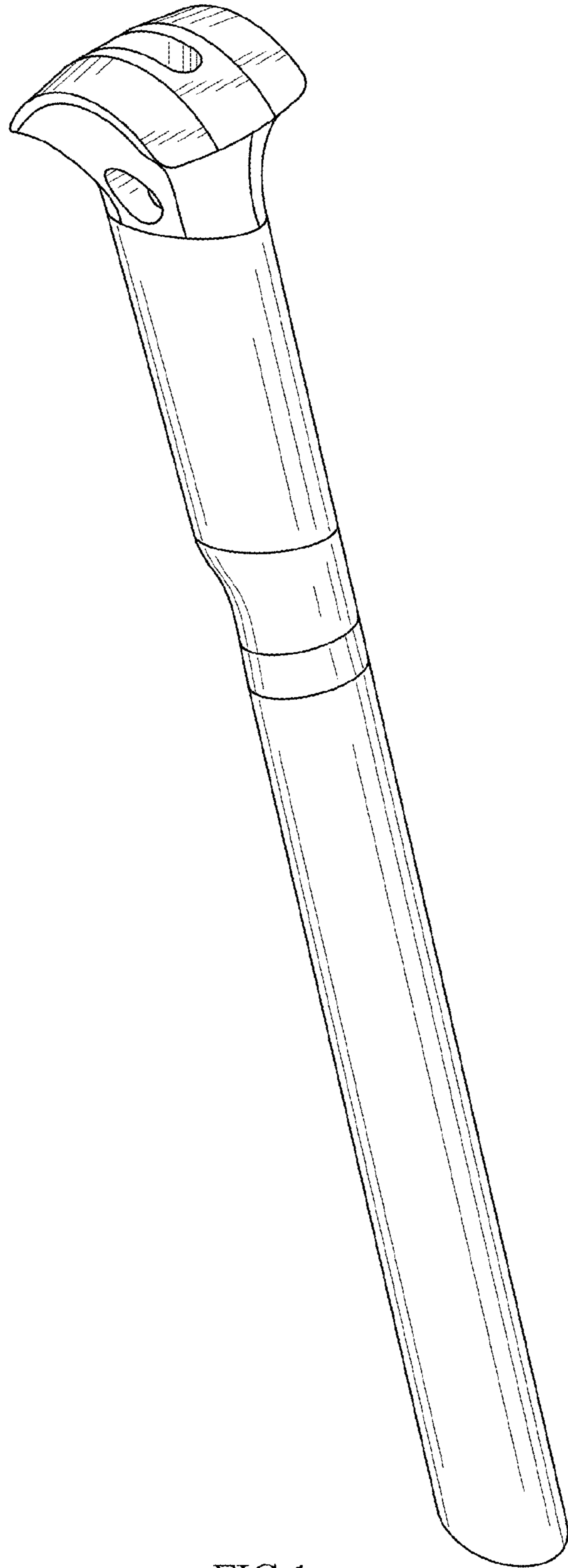


FIG.1

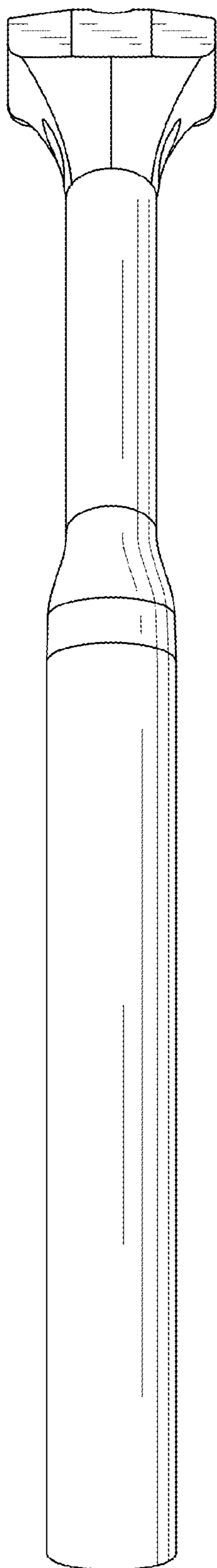


FIG.2

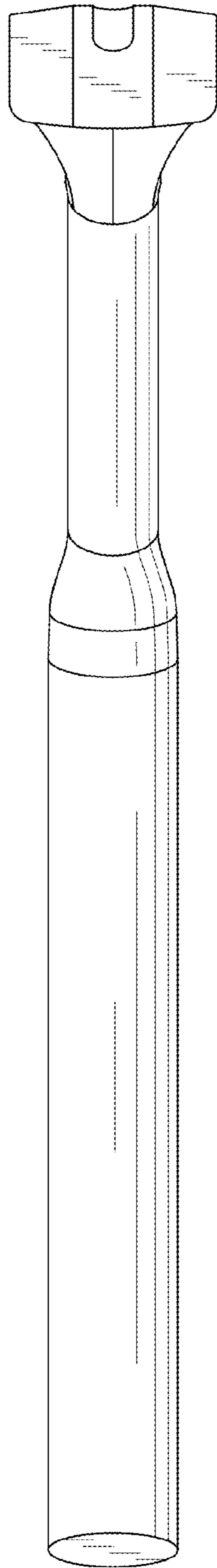


FIG.3

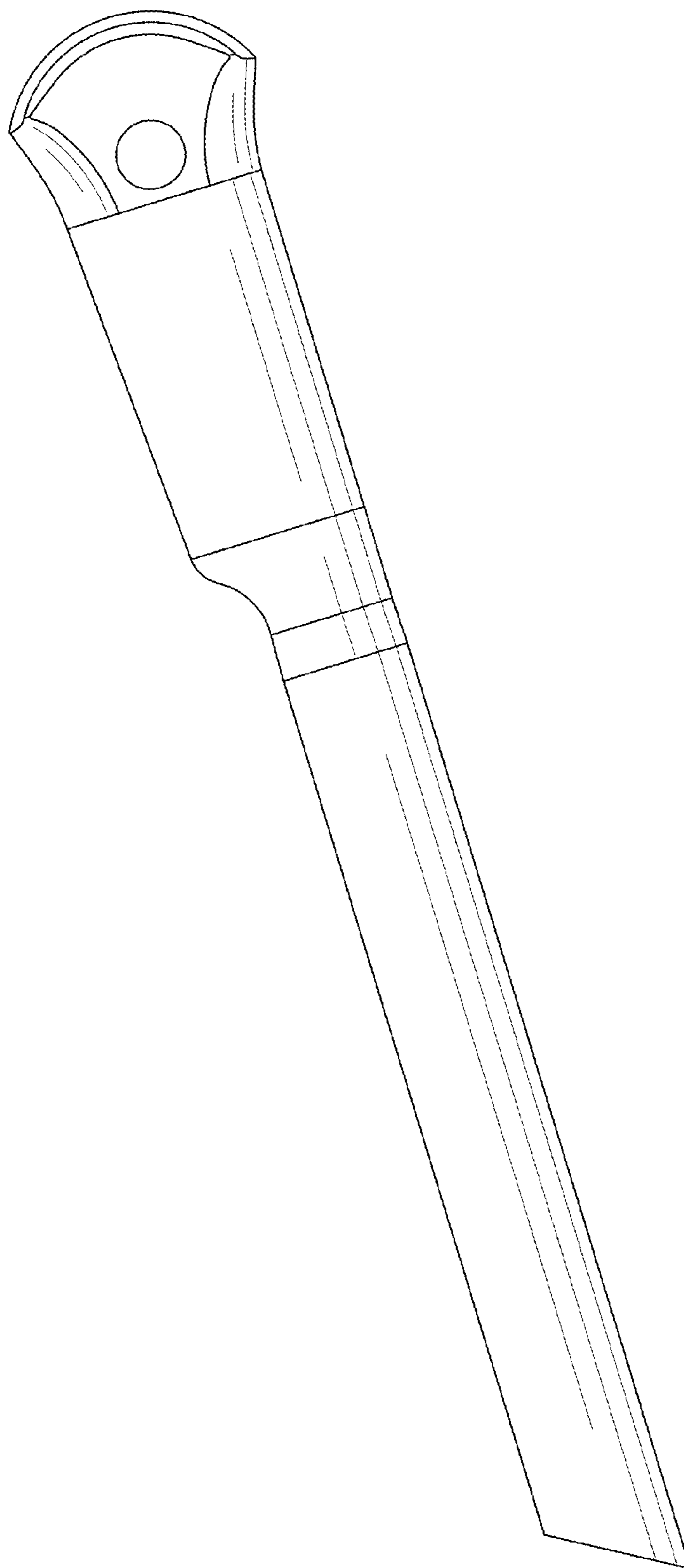


FIG.4

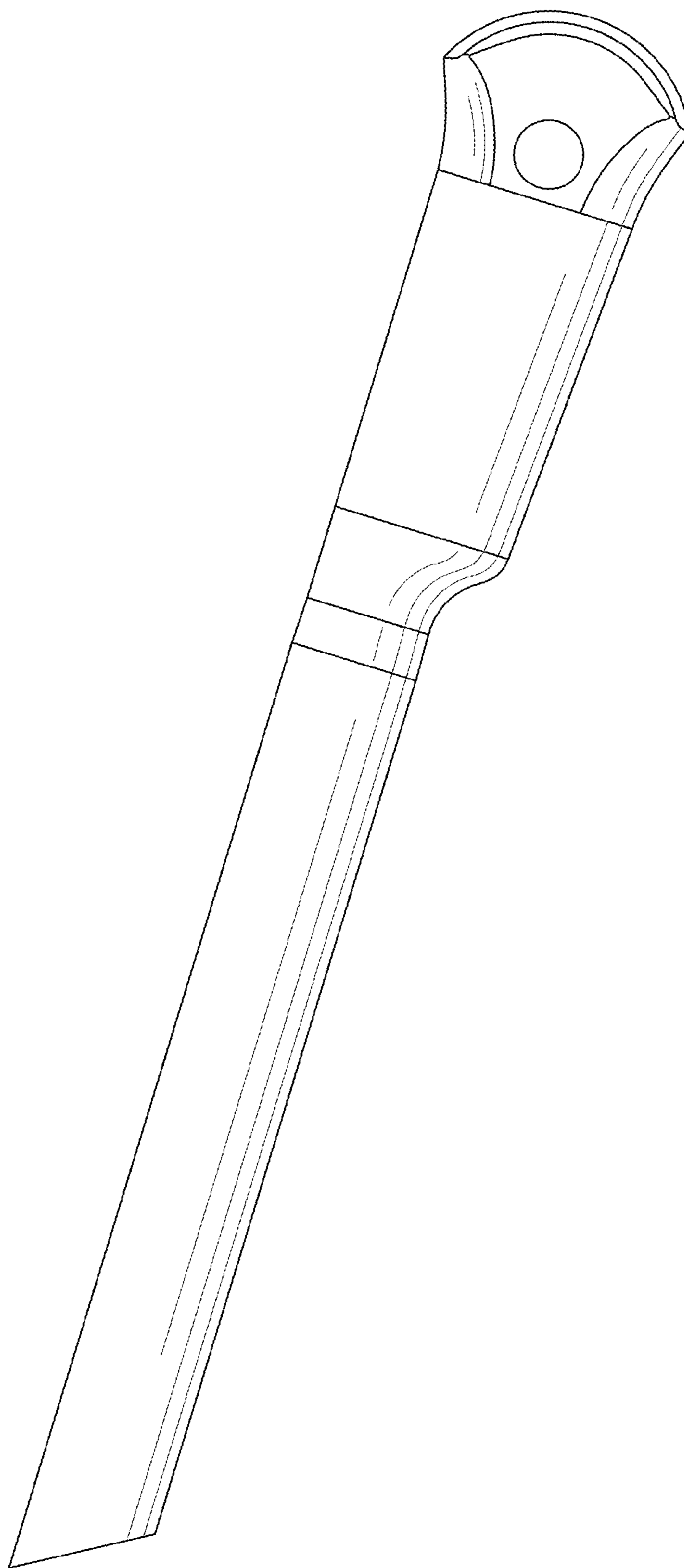


FIG.5

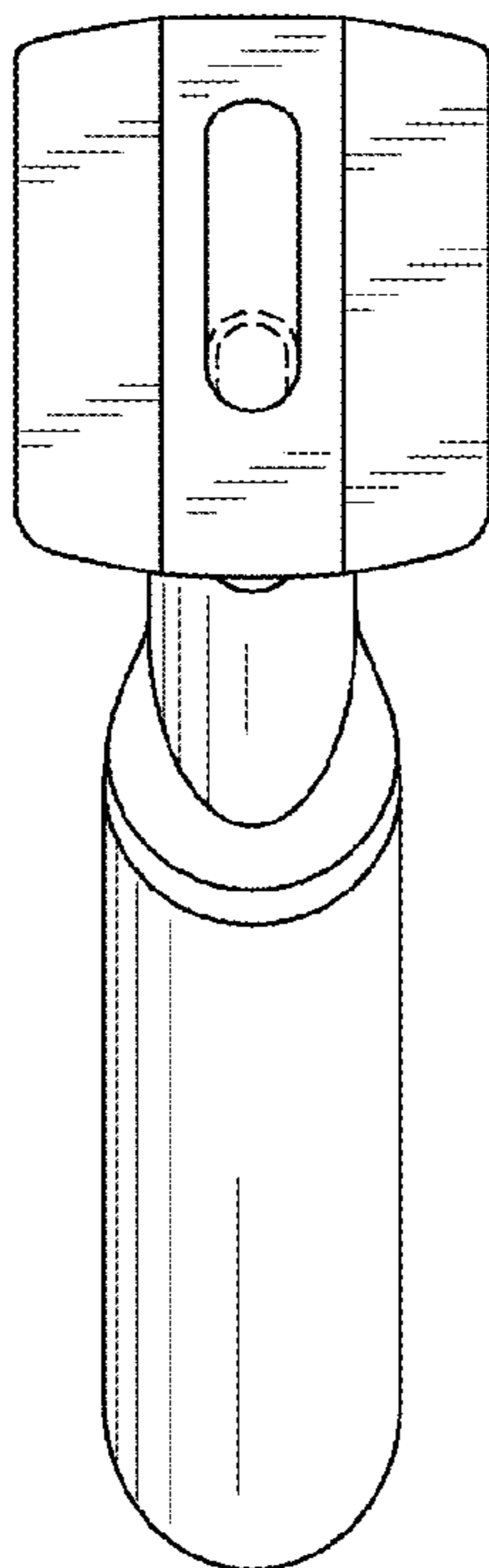


FIG.6

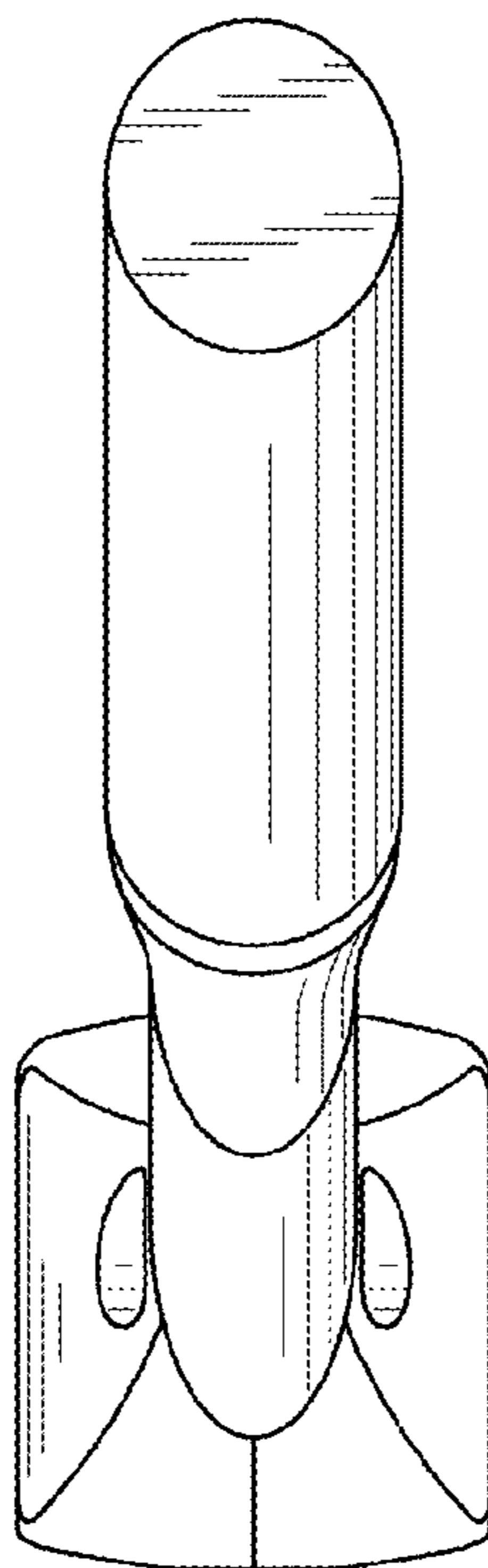


FIG.7

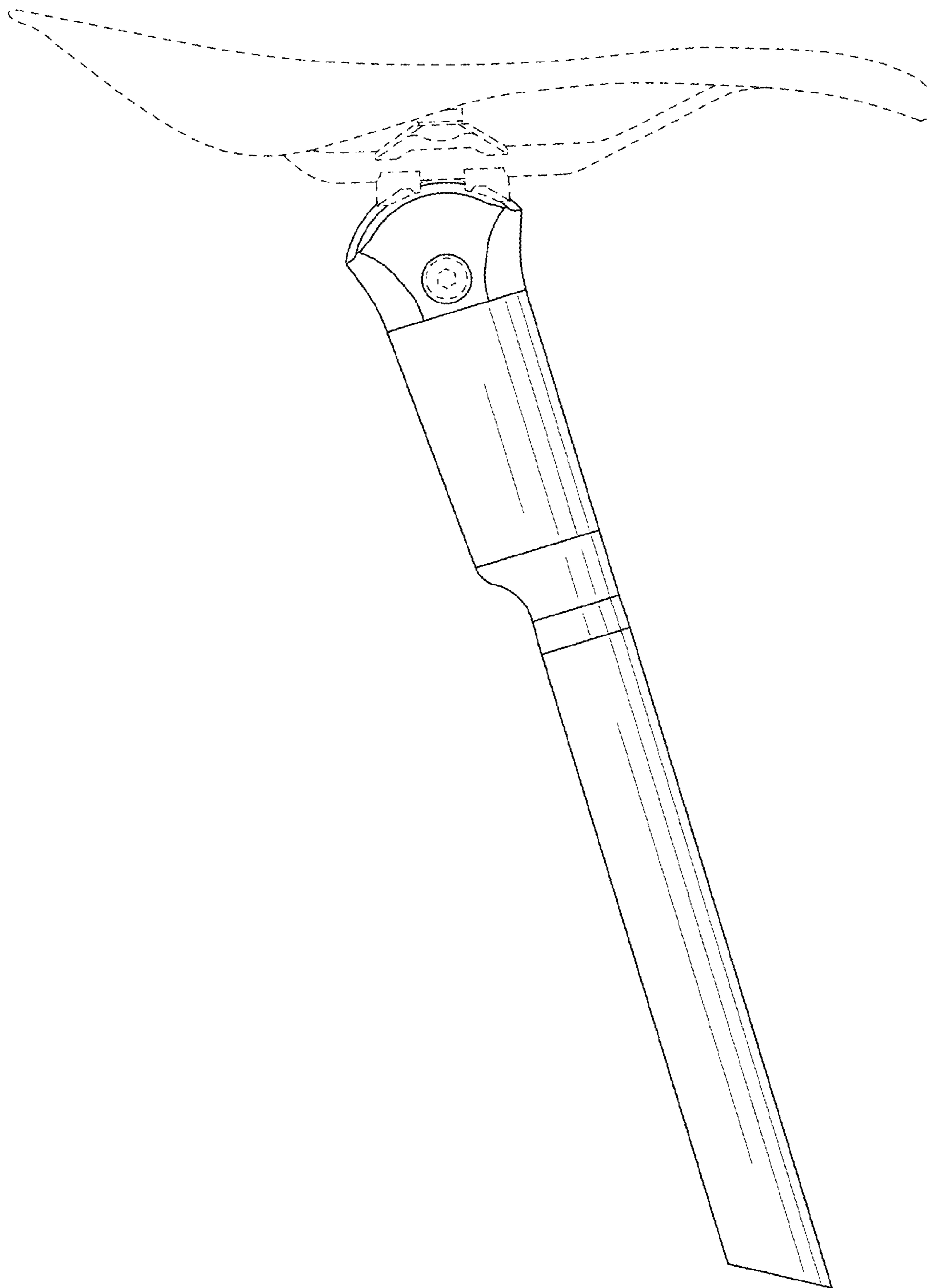


FIG.8