



US00D716702S

(12) **United States Design Patent**  
**Song et al.**

(10) **Patent No.:** **US D716,702 S**  
(45) **Date of Patent:** **\*\* Nov. 4, 2014**

- (54) **MOTORCYCLE**
- (71) Applicant: **Indian Motorcycle International, LLC**,  
Medina, MN (US)
- (72) Inventors: **Michael M. Song**, Maple Grove, MN  
(US); **Gregory C. Brew**, Minnetonka,  
MN (US); **Salvador Gonzalez**, Fontana,  
CA (US)
- (73) Assignee: **Indian Motorcycle International, LLC**,  
Medina, MN (US)
- (\*\*) Term: **14 Years**
- (21) Appl. No.: **29/472,665**
- (22) Filed: **Nov. 14, 2013**

D605,088 S *	12/2009	Tanaka et al. ....	D12/110
D610,044 S *	2/2010	Sugimoto .....	D12/110
8,267,214 B2 *	9/2012	Arnold .....	180/230

**OTHER PUBLICATIONS**

Indian pictured on p. 1 of 4, dated Aug. 16, 2013 .[Retrieved on Feb. 4, 2014].. Retrieved from the Internet <URL: [http://robbreport.com/automobiles/indian-motorcycle-relaunches-new line--bikes.>](http://robbreport.com/automobiles/indian-motorcycle-relaunches-new-line--bikes.>).\*  
 Indian pictured on p. 1 of 8, dated Dec. 27, 2013 .[Retrieved on Feb. 4, 2014].. Retrieved from the Internet <URL: <http://ultimatemotorcycling.com/indian-motorcycle-big-chief-custom-showcase-accessories....>>.\*

\* cited by examiner

*Primary Examiner* — Susan E Krakower  
*Assistant Examiner* — Linda Brooks

(74) *Attorney, Agent, or Firm* — Faegre Baker Daniels LLP

**Related U.S. Application Data**

- (63) Continuation-in-part of application No. 29/437,022,  
filed on Nov. 12, 2012.
- (51) **LOC (10) Cl.** ..... **12-11**
- (52) **U.S. Cl.**  
USPC ..... **D12/110**
- (58) **Field of Classification Search**  
USPC ..... D12/110; 180/219  
See application file for complete search history.

(57) **CLAIM**

We claim the ornamental design for a motorcycle, as shown and described.

**DESCRIPTION**

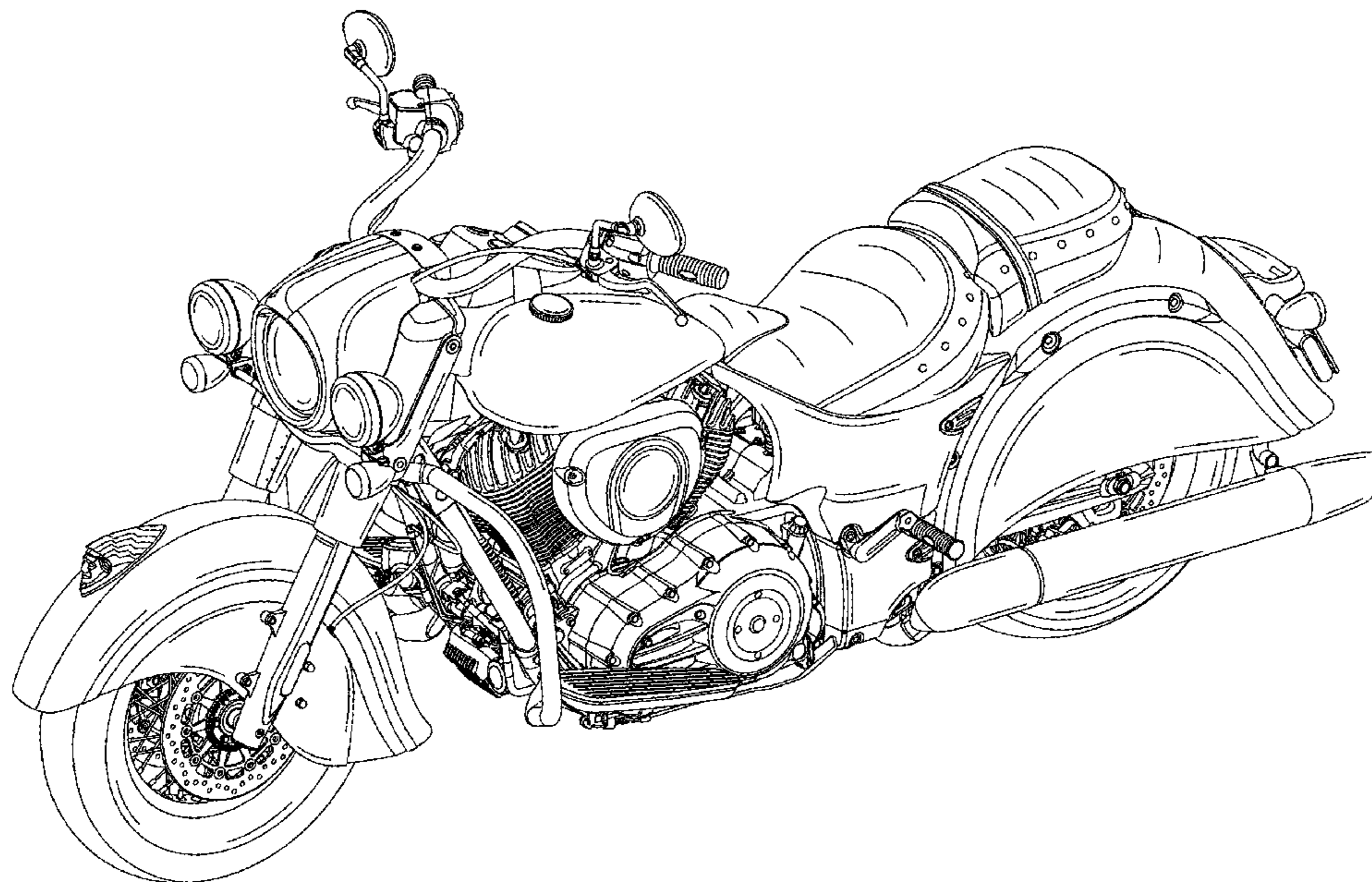
FIG. 1 is a left front perspective view of a cruiser version of a motorcycle;  
 FIG. 2 is a right rear perspective view of the motorcycle of FIG. 1;  
 FIG. 3 is a left side view of the motorcycle of FIG. 1;  
 FIG. 4 is a right side view of the motorcycle of FIG. 1;  
 FIG. 5 is a top view of the motorcycle of FIG. 1;  
 FIG. 6 is a front view of the motorcycle of FIG. 1; and,  
 FIG. 7 is a front enlarged view of the bezel of the motorcycle of FIG. 1.

**1 Claim, 6 Drawing Sheets**

(56) **References Cited**

**U.S. PATENT DOCUMENTS**

D524,192 S *	7/2006	Sugimoto .....	D12/110
D567,148 S *	4/2008	Inose et al. ....	D12/110
D588,503 S *	3/2009	Idei et al. ....	D12/110
D597,892 S *	8/2009	Andoh .....	D12/110





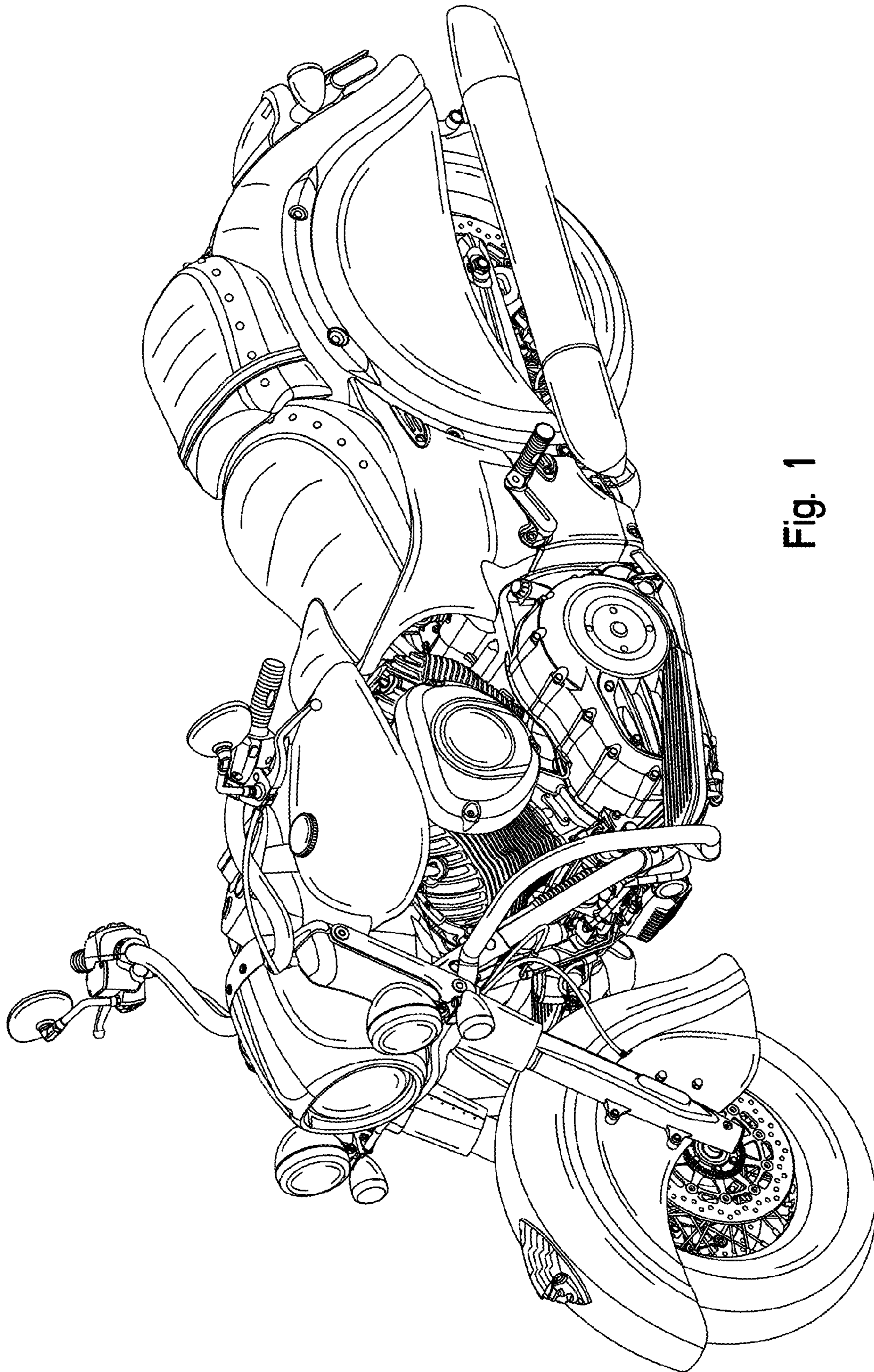


Fig. 1

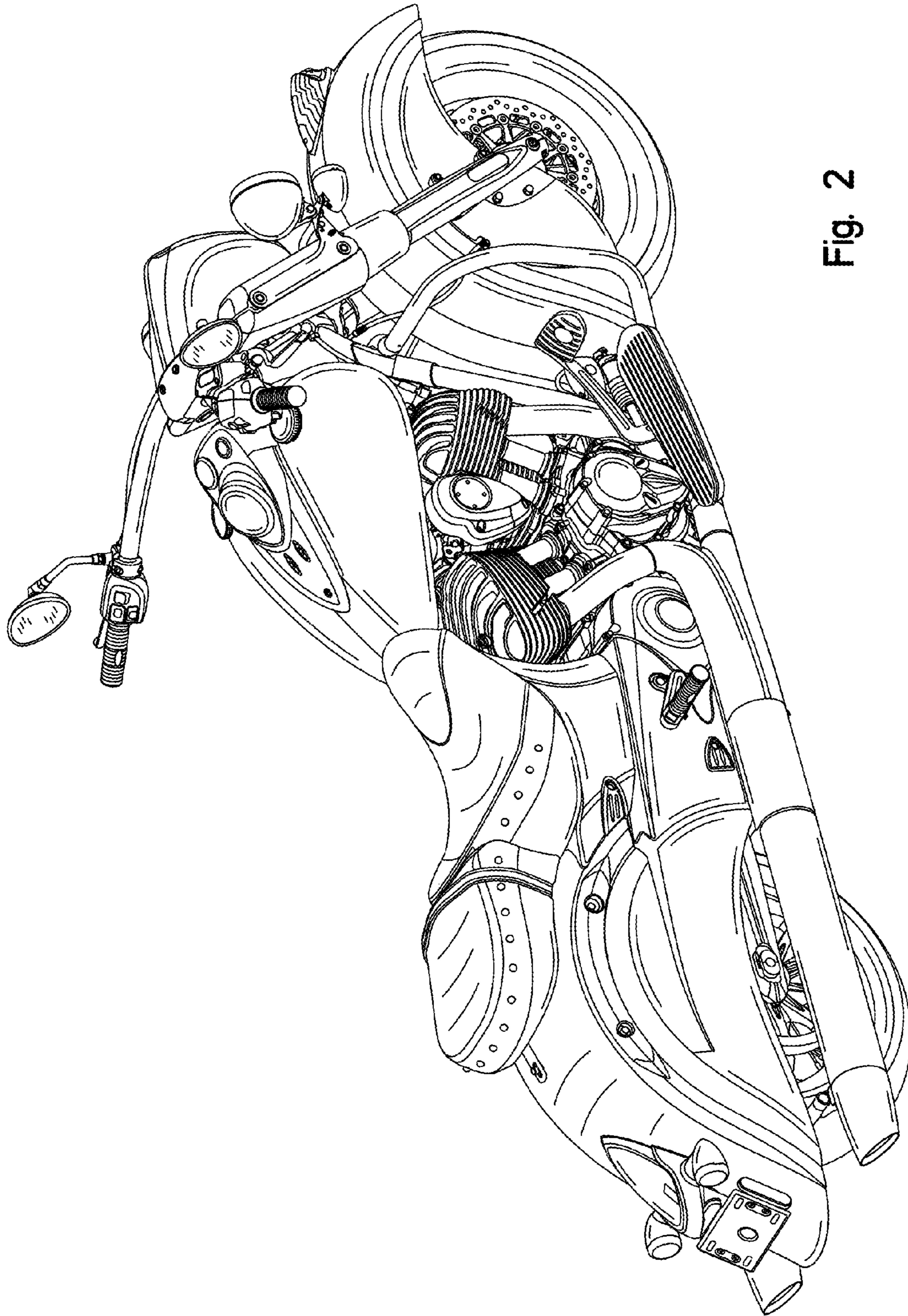


Fig. 2



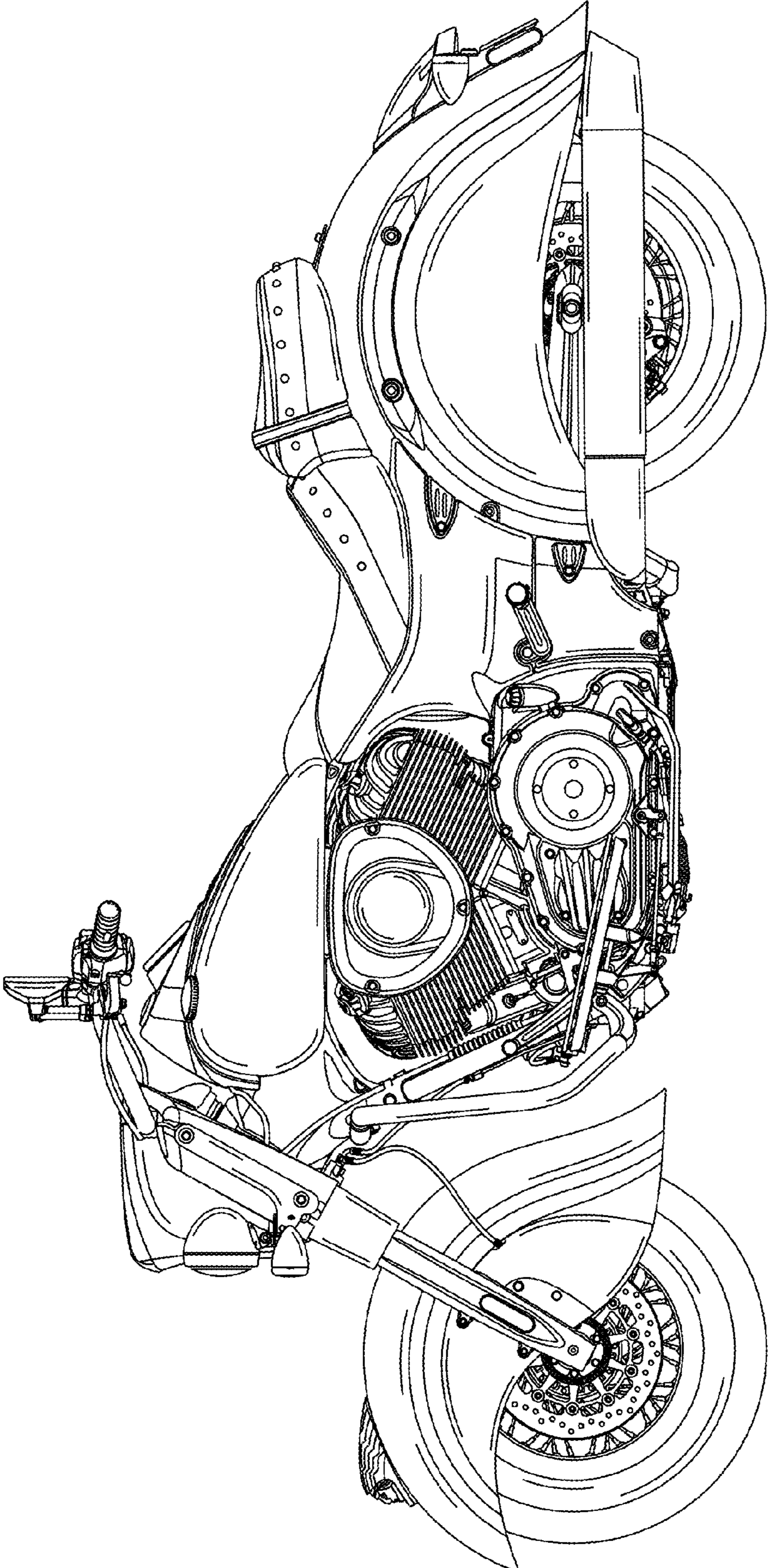


Fig. 3

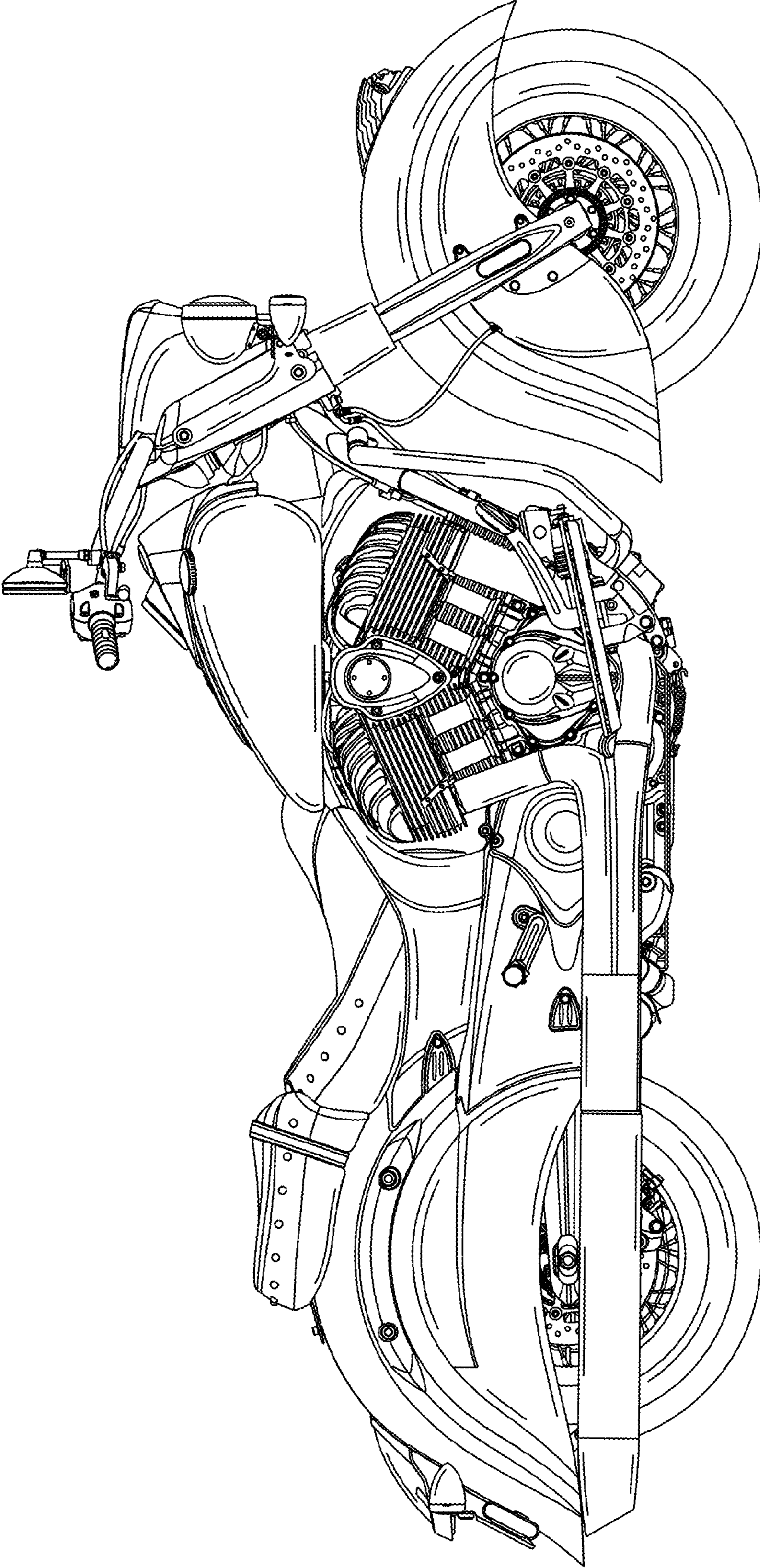


Fig. 4



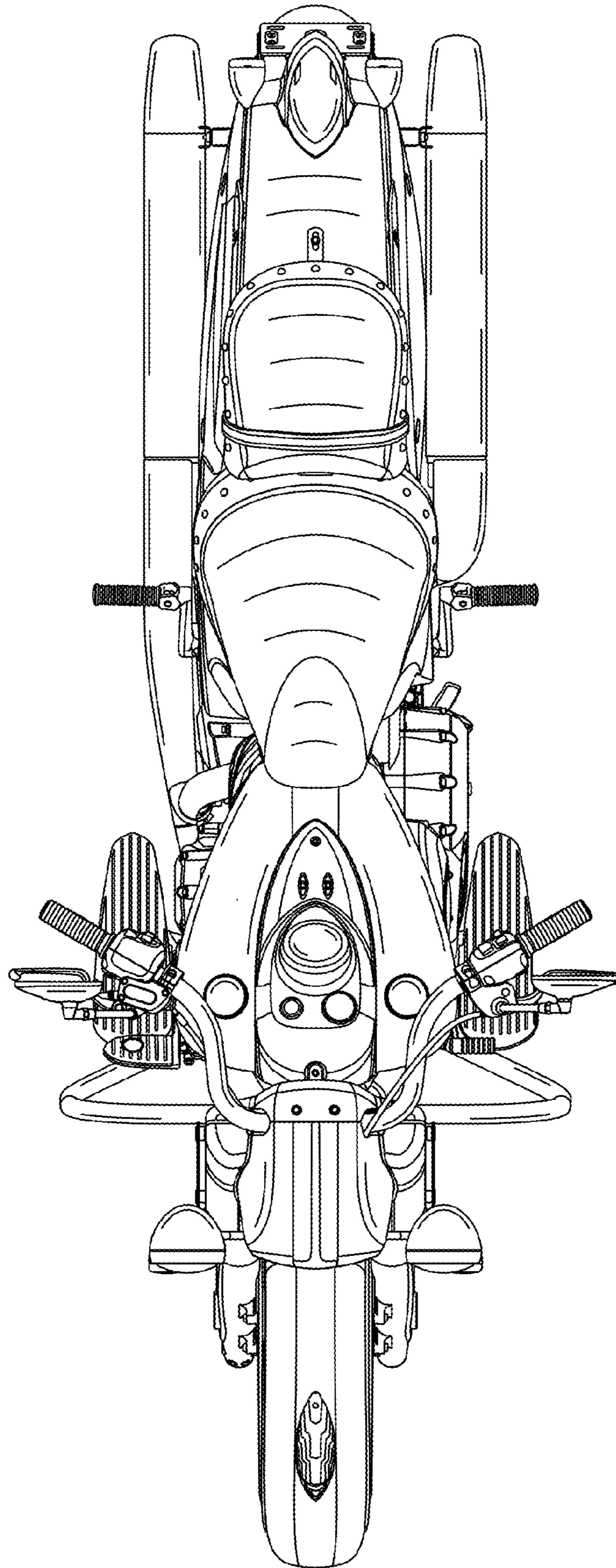


Fig. 5

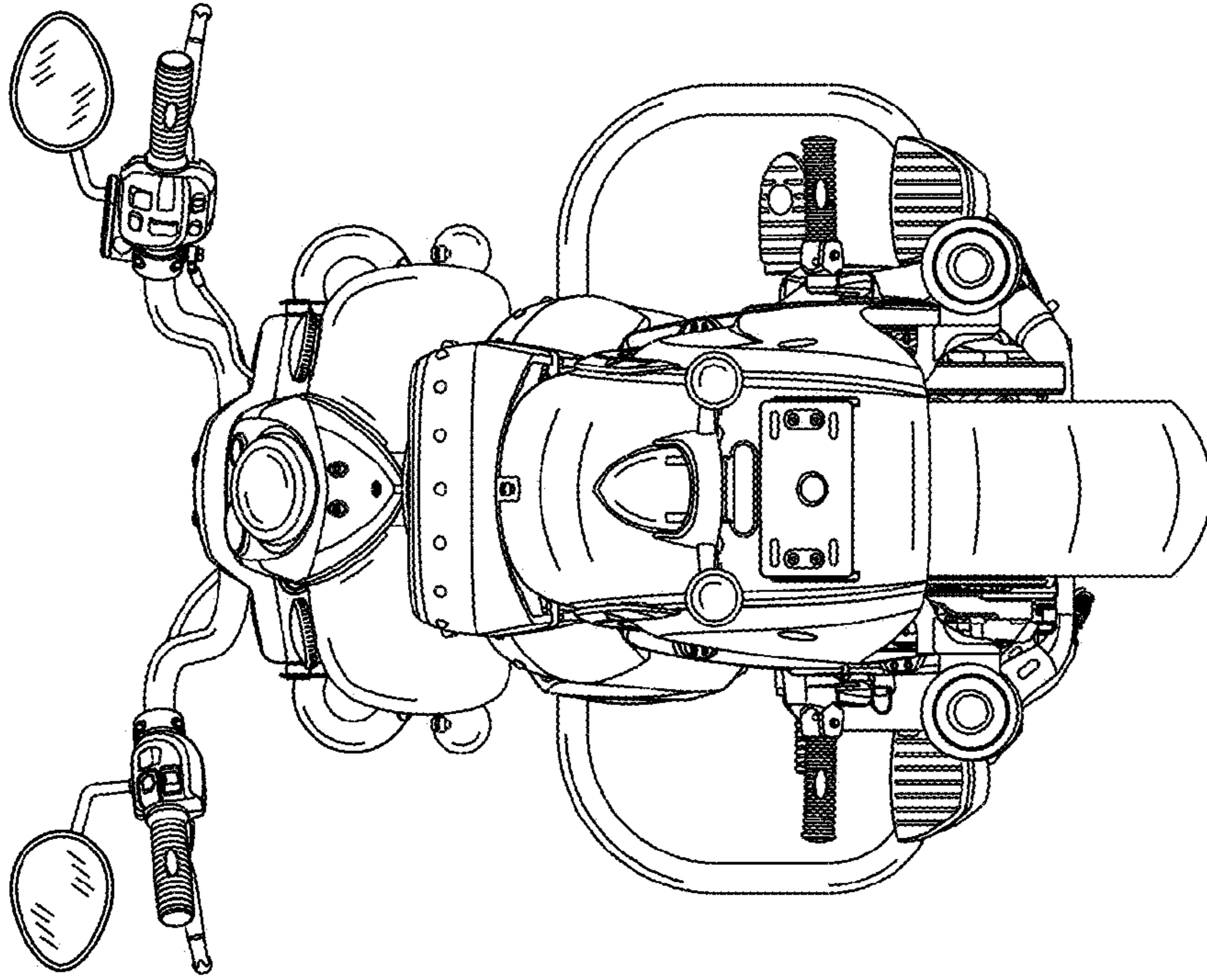


Fig. 7

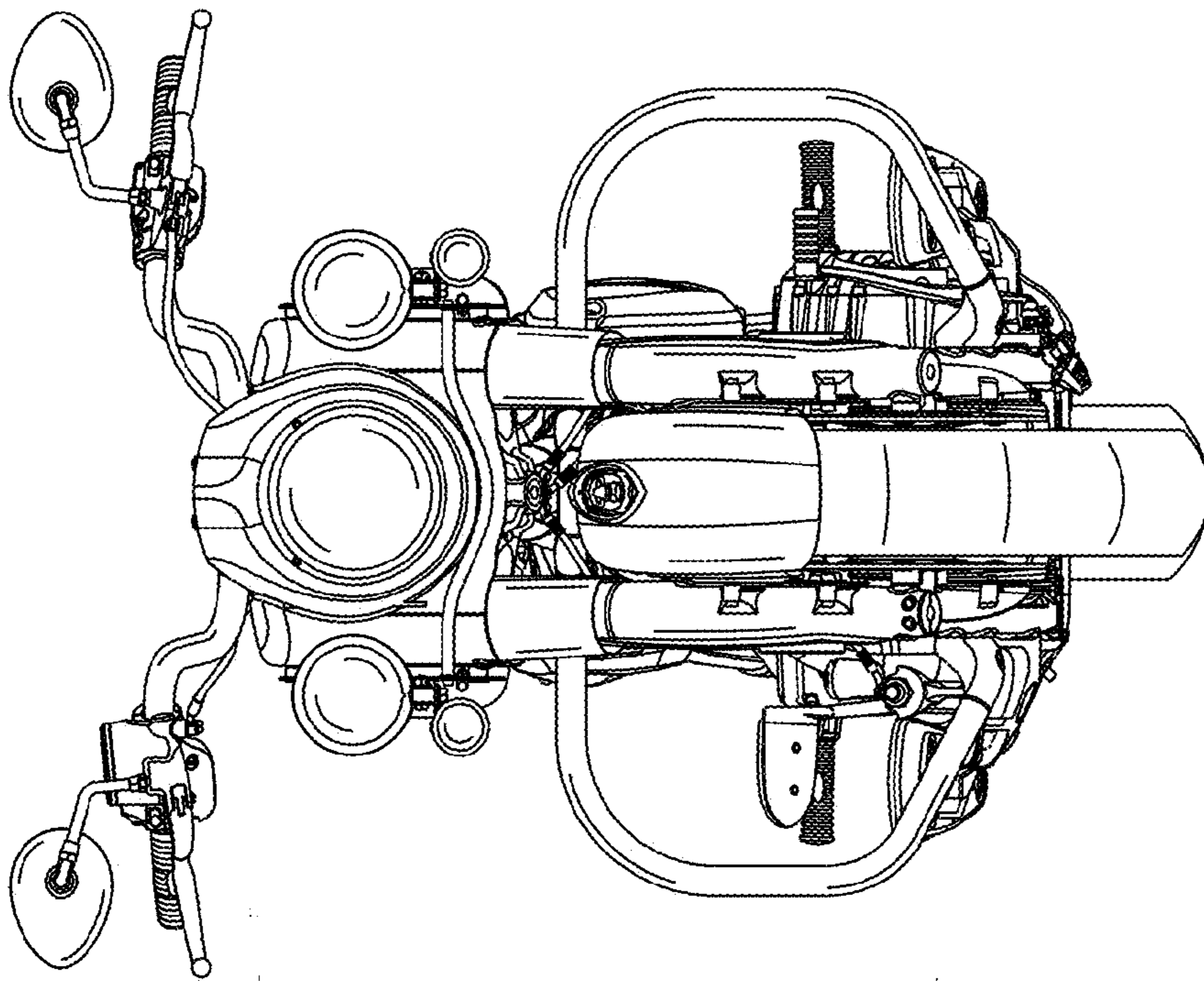


Fig. 6