



US00D716701S

(12) **United States Design Patent**
Beelman, III

(10) **Patent No.:** **US D716,701 S**
(45) **Date of Patent:** **** Nov. 4, 2014**

- (54) **TANK FOR PNEUMATIC TRAILER**
- (71) Applicant: **Frank J. Beelman, III**, Freeburg, IL (US)
- (72) Inventor: **Frank J. Beelman, III**, Freeburg, IL (US)
- (73) Assignee: **Racehorse Investments. L.L.C.**, East St. Louis, IL (US)
- (**) Term: **14 Years**
- (21) Appl. No.: **29/441,437**
- (22) Filed: **Jan. 4, 2013**
- (51) **LOC (10) Cl.** **12-10**
- (52) **U.S. Cl.**
USPC **D12/106**
- (58) **Field of Classification Search**
USPC D12/101–106, 19, 129, 111, 112;
D21/425, 435; D34/21–26, 12, 16–19;
280/204, 205, 63, 475, 482, 647;
296/168, 180, 180.2, 61, 10,
296/100.01–100.08
See application file for complete search history.

4,348,047 A	9/1982	Harshman	
D274,322 S	6/1984	Hayes	
4,606,570 A	8/1986	Neumann	
4,643,475 A	2/1987	Neumann	
4,741,569 A	5/1988	Sutphen	
4,818,024 A	4/1989	Michel	
5,326,156 A	7/1994	Heider et al.	
35,580 A	8/1997	Heider et al.	
5,782,524 A	7/1998	Heider et al.	
5,819,970 A	10/1998	Solimar	
6,286,894 B1	9/2001	Kingham	
6,457,630 B1	10/2002	Nilsson	
6,666,498 B1	12/2003	Whitten	
D542,185 S *	5/2007	Remington	D12/103
D544,815 S *	6/2007	Williams	D12/101
D546,245 S *	7/2007	Heard	D12/102
7,488,030 B2	2/2009	Nadeau	
7,651,114 B2 *	1/2010	Weber et al.	280/477
7,712,820 B1	5/2010	Kyle	

(Continued)

FOREIGN PATENT DOCUMENTS

WO 2008 125863 A1 10/2008

Primary Examiner — Katrina A Betton

(74) *Attorney, Agent, or Firm* — Polsinelli PC

(57) **CLAIM**

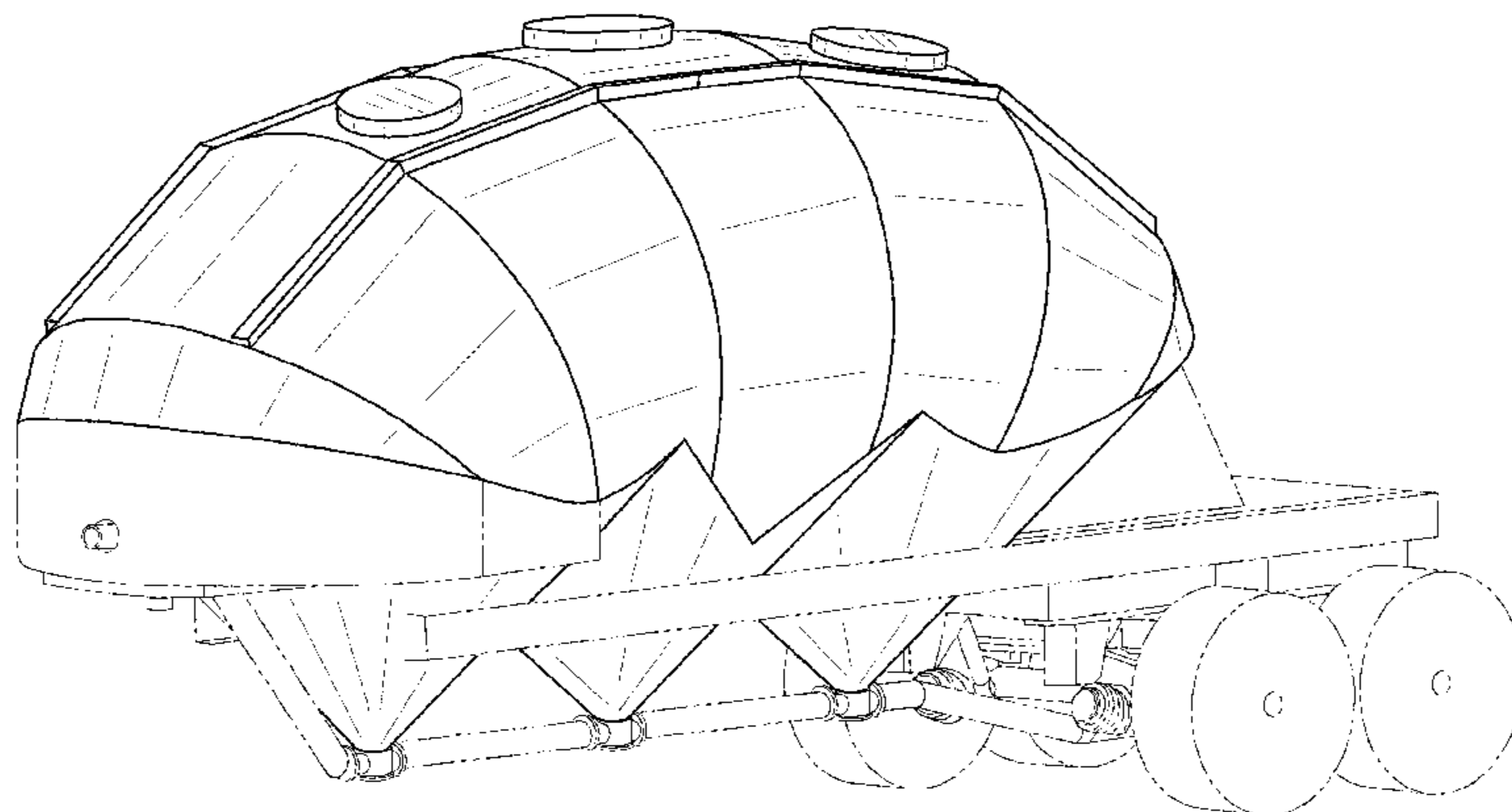
The ornamental design for a tank for a pneumatic trailer, as shown and described.

DESCRIPTION

FIG. 1 is a perspective view of the tank for the pneumatic trailer;
 FIG. 2 is a perspective view of the tank;
 FIG. 3 is a side view of the tank;
 FIG. 4 is a front view of the tank;
 FIG. 5 is a top view of the tank; and,
 FIG. 6 is a bottom view of the tank.
 The broken lines showing in FIG. 1 are included for the purpose of illustrating portions of the pneumatic trailer that form no part of the claimed design.

1 Claim, 3 Drawing Sheets

- (56) **References Cited**
- U.S. PATENT DOCUMENTS
- 1,081,032 A 12/1913 Evens
- 2,038,265 A 4/1936 Bradley
- 2,097,113 A 10/1937 Bradley
- 2,616,758 A 11/1952 Meyers
- 170,969 A 8/1953 Clough
- 3,058,753 A 10/1962 Carlsen
- 3,311,269 A 3/1967 Mendez
- 3,419,310 A 12/1968 Gramlich
- 3,543,692 A 12/1970 Stark et al.
- 3,679,082 A 7/1972 Gramlich
- 3,917,084 A 11/1975 Swisher, Jr. et al.
- 4,188,152 A 2/1980 Kitt
- 4,230,048 A 10/1980 Gordon et al.



(56)

References Cited

U.S. PATENT DOCUMENTS

7,795,837	B1 *	9/2010	Haun et al.	320/101	8,573,680	B2	11/2013	Smith
7,967,369	B2	6/2011	Davidson		2003/0132644	A1	7/2003	Crews
8,025,329	B1	9/2011	Kron		2006/0049661	A1	3/2006	Mazzarelli et al.
8,066,318	B2	11/2011	Mazzarelli et al.		2008/0211259	A1	9/2008	Nadeau
8,082,698	B2	12/2011	Drake		2008/0265617	A1	10/2008	Davidson
8,186,745	B2	5/2012	Graham		2009/0085394	A1	4/2009	Lemmons
D662,461	S *	6/2012	Fu et al.	D12/601	2010/0320725	A1	12/2010	Thorpe, Sr.
8,308,213	B1 *	11/2012	Sharkey	296/26.12	2011/0049207	A1	3/2011	Hufgard
					2011/0198145	A1	8/2011	Bullis
					2011/0209418	A1	9/2011	Drake

* cited by examiner

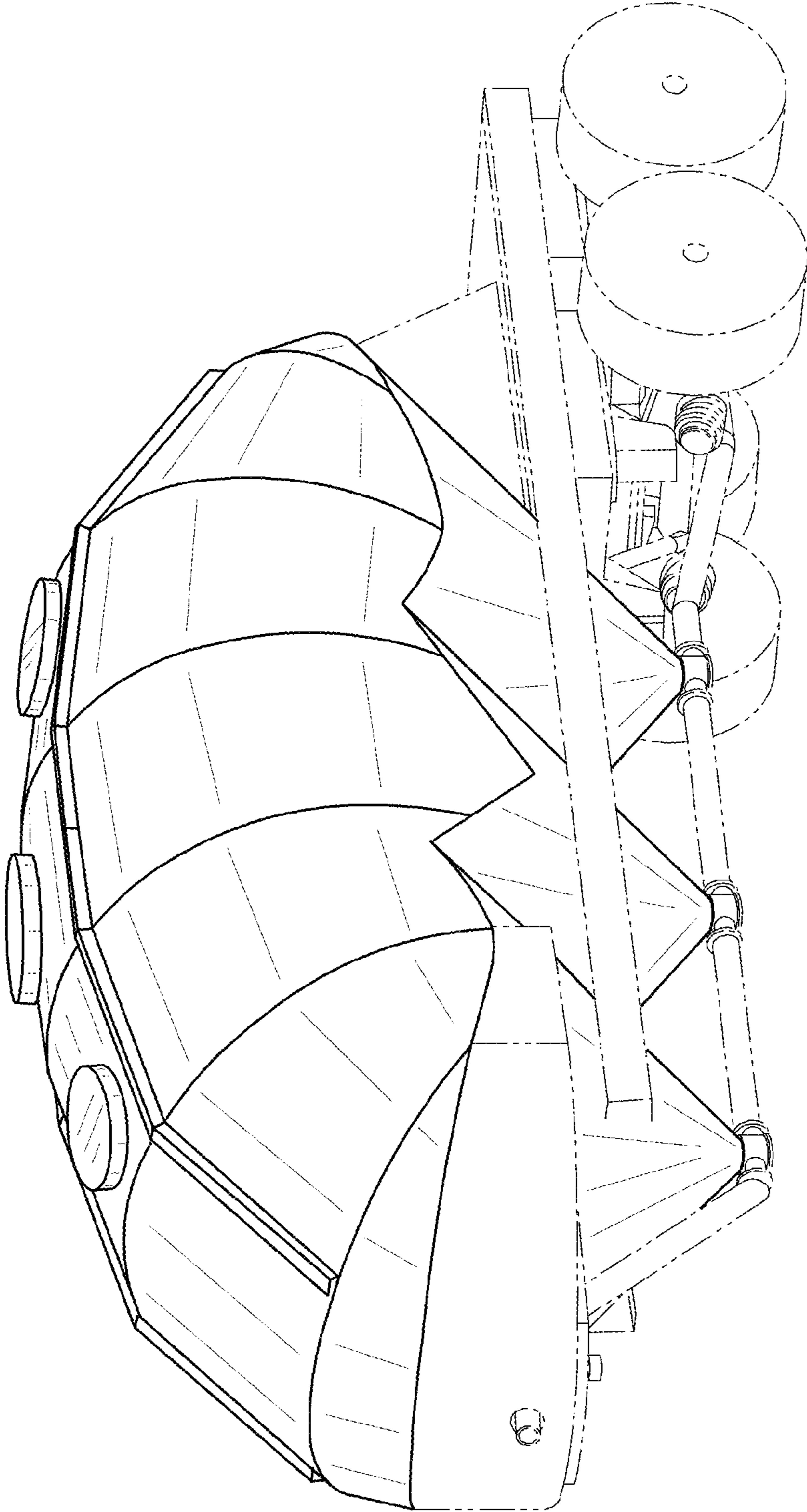


FIG. 1

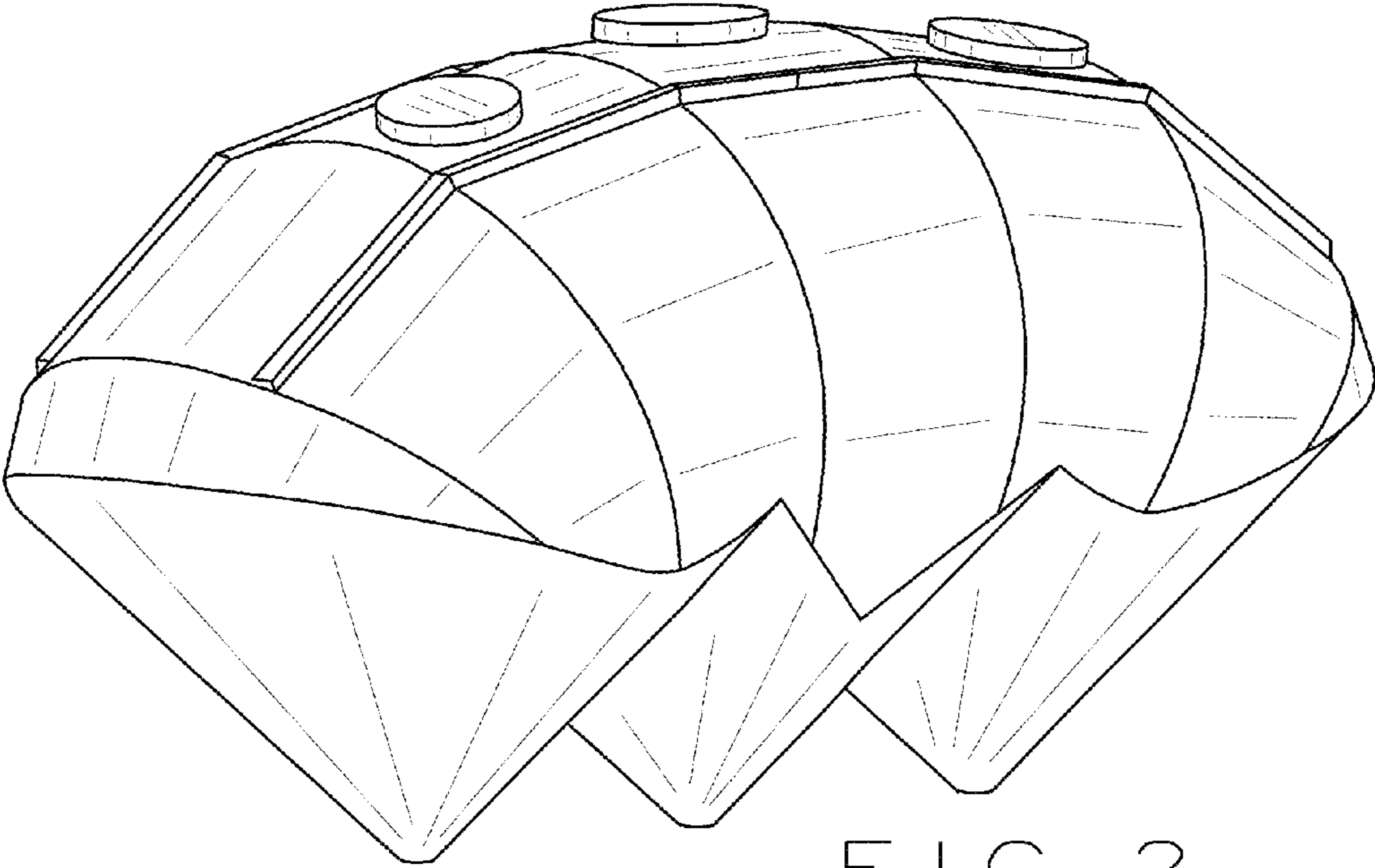


FIG. 2

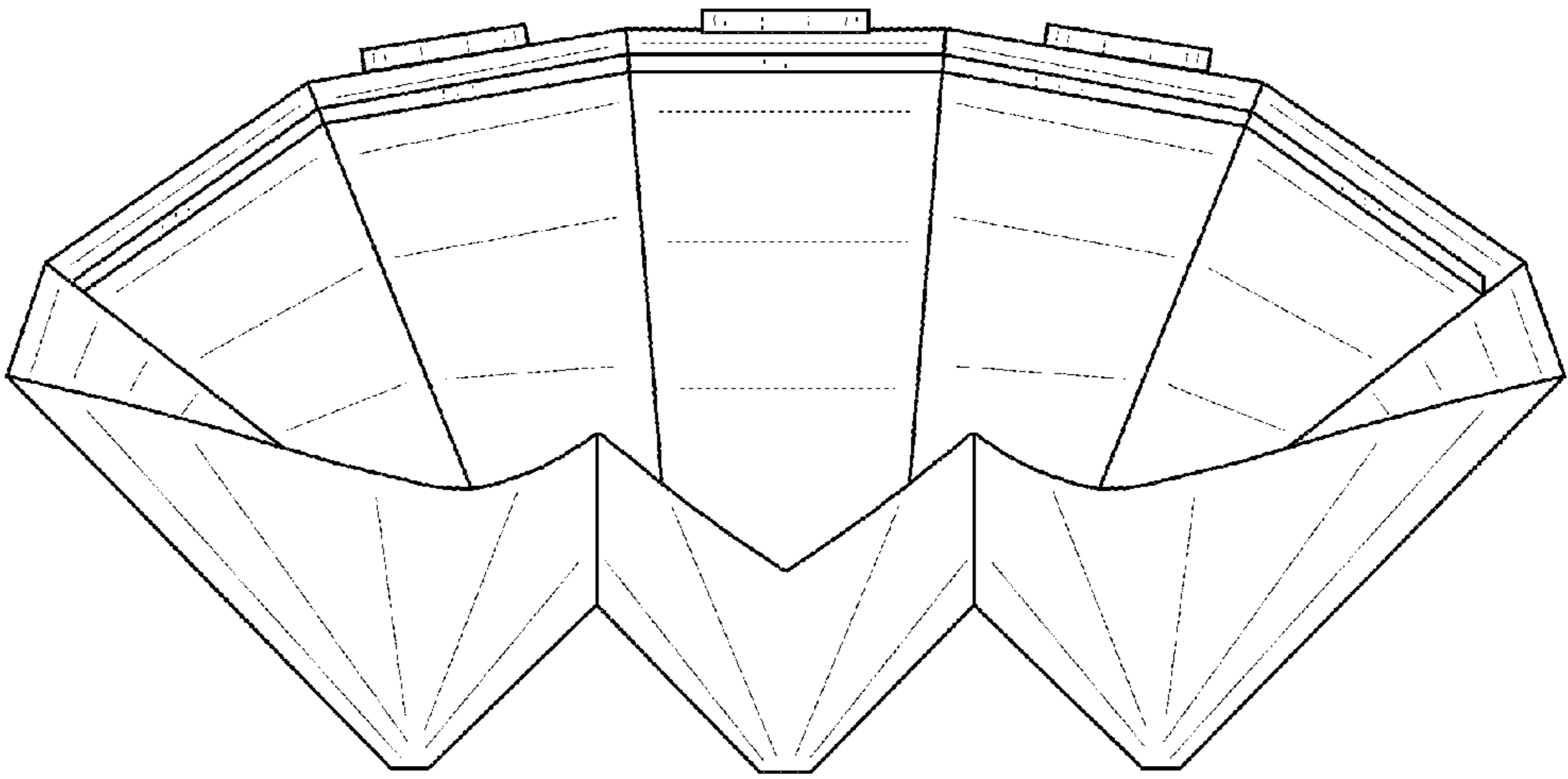


FIG. 3

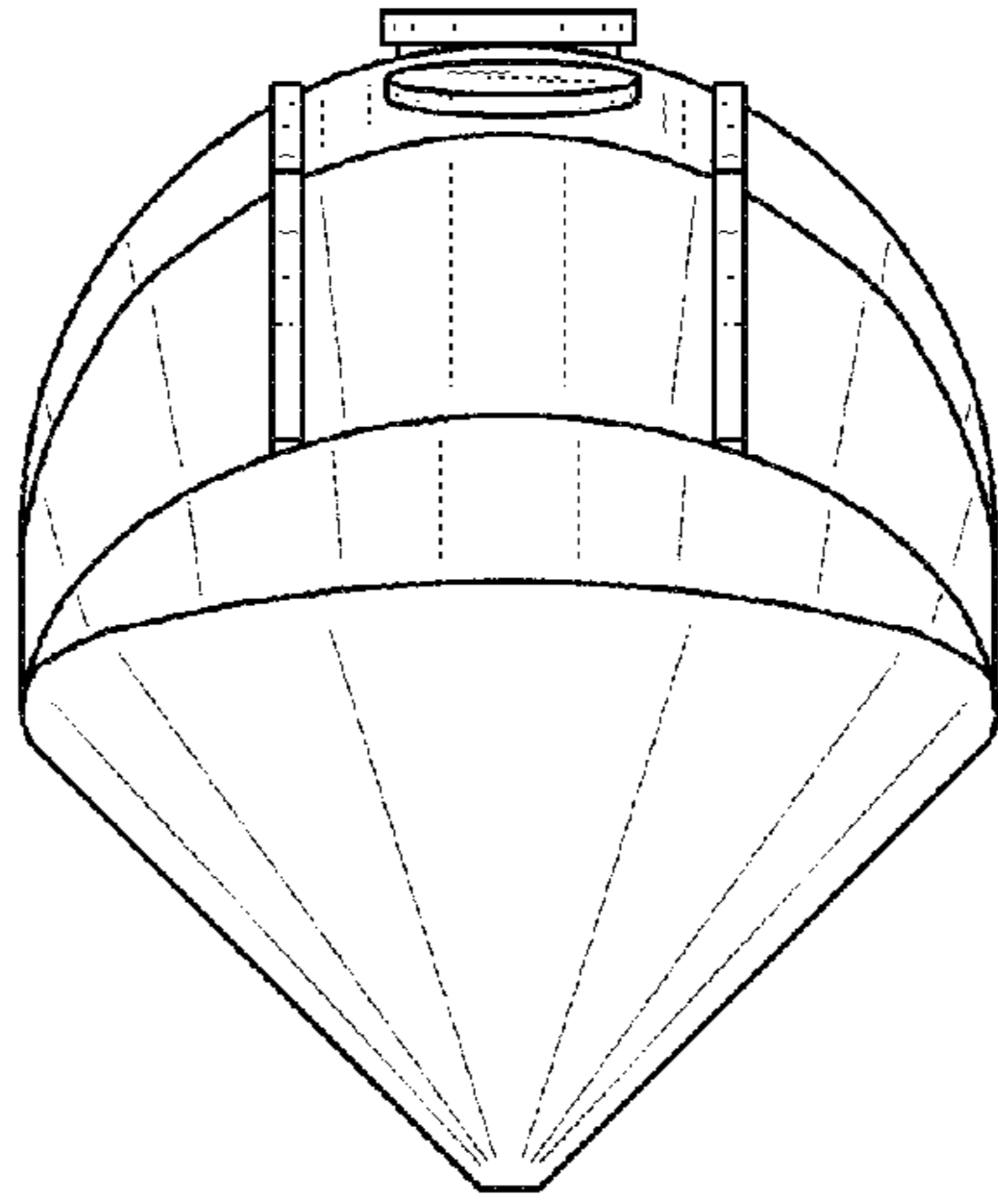


FIG. 4

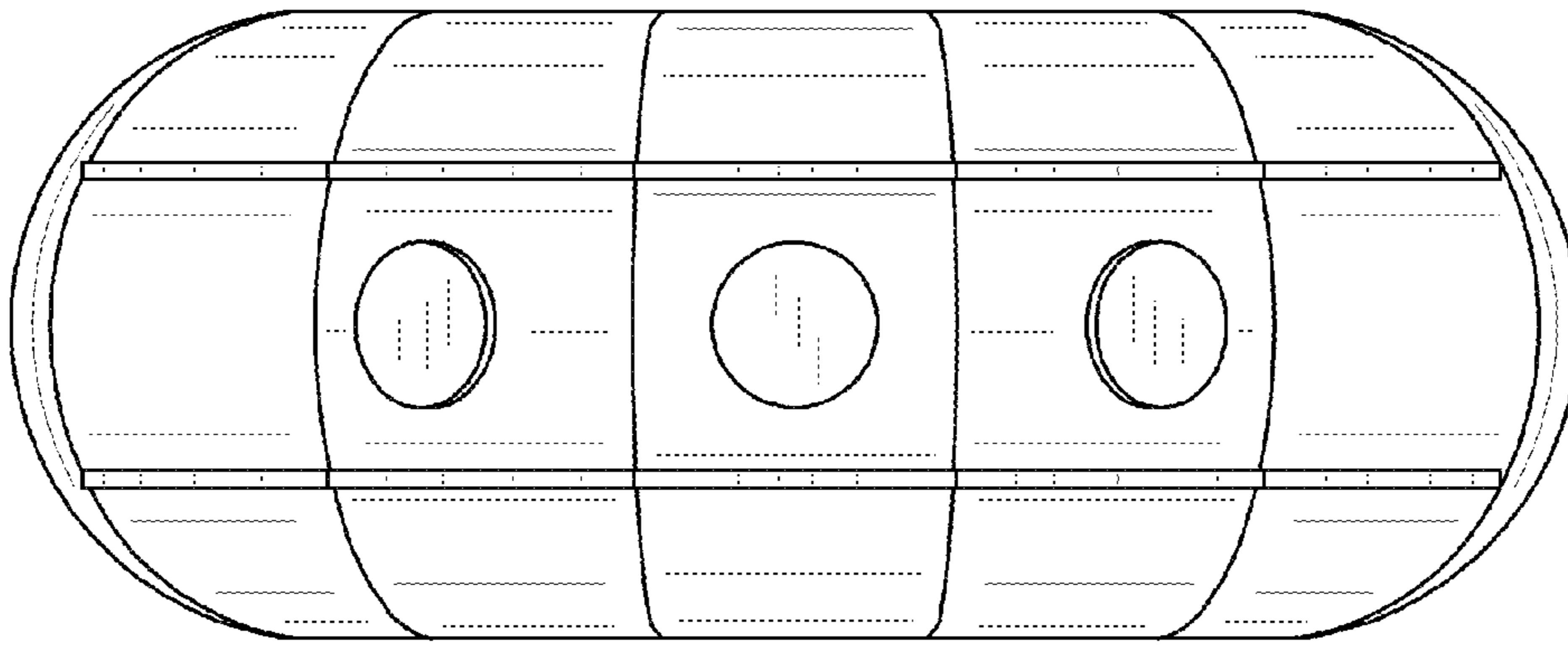


FIG. 5

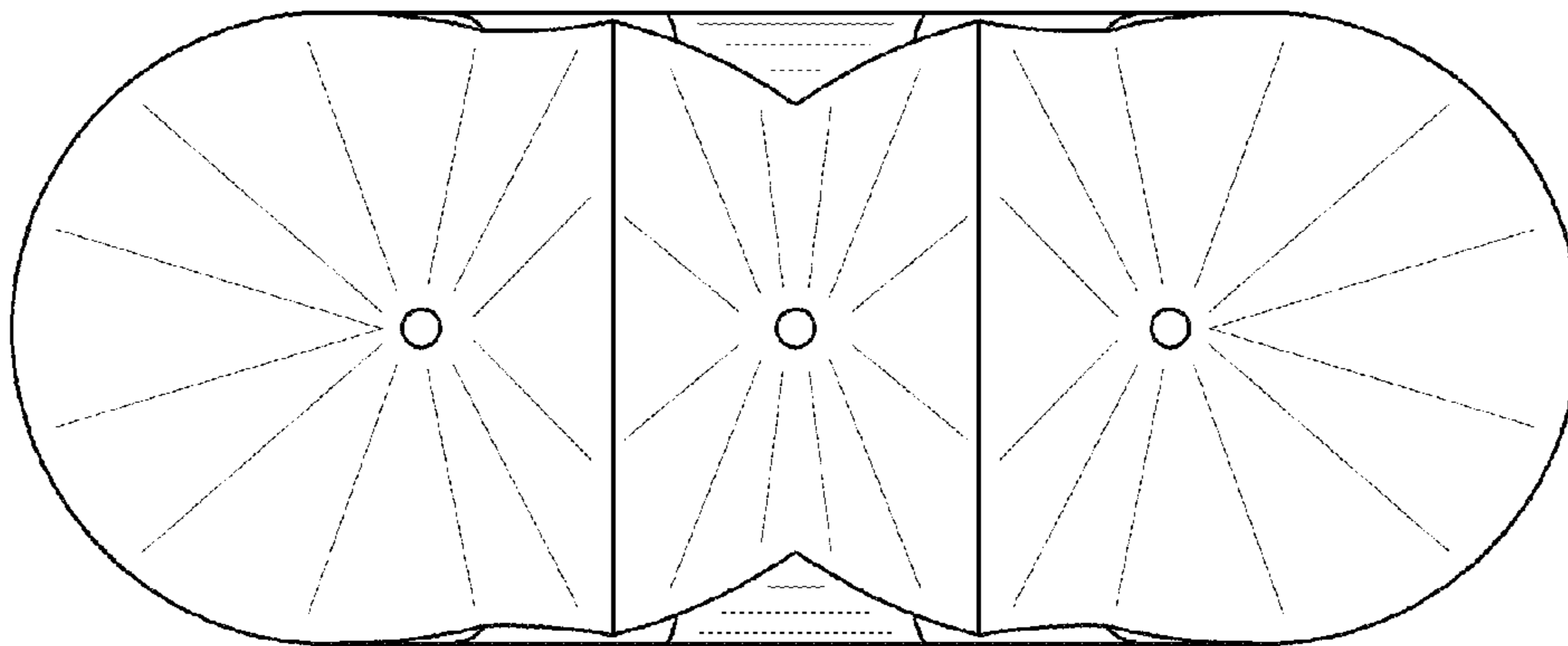


FIG. 6