



US00D716698S

(12) **United States Design Patent**
Futschik et al.

(10) **Patent No.:** **US D716,698 S**

(45) **Date of Patent:** **** Nov. 4, 2014**

(54) **VEHICLE, TOY, AND/OR REPLICAS THEREOF**

(71) Applicant: **Daimler AG**, Stuttgart (DE)

(72) Inventors: **Hans-Dieter Futschik**, Gechingen (DE); **Robert Lesnik**, Leonberg (DE); **Gorden Wagener**, Gaeufelden (DE)

(73) Assignee: **Daimler AG**, Stuttgart (DE)

(**) Term: **14 Years**

(21) Appl. No.: **29/468,653**

(22) Filed: **Oct. 2, 2013**

(30) **Foreign Application Priority Data**

Apr. 26, 2013 (WO) DM/080 774

(51) **LOC (10) Cl.** **12-08**

(52) **U.S. Cl.**
USPC **D12/92**

(58) **Field of Classification Search**
CPC B62D 35/00
USPC D12/86, 90-92; D21/421, 433, 434;
296/181.1, 181.5

See application file for complete search history.

(56) **References Cited**

U.S. PATENT DOCUMENTS

D552,015 S	10/2007	Pfeiffer	
D580,826 S *	11/2008	Rhoades et al.	D12/92
D596,078 S *	7/2009	Pfeiffer et al.	D12/92
D596,079 S *	7/2009	Pfeiffer et al.	D12/92
D635,059 S *	3/2011	Futschik et al.	D12/92
D635,893 S *	4/2011	Baur et al.	D12/92

D671,033 S *	11/2012	Fetherston et al.	D12/91
D680,035 S *	4/2013	Fetherston et al.	D12/164
D688,162 S *	8/2013	Fetherston et al.	D12/92
D688,173 S *	8/2013	Fetherston et al.	D12/164
D699,162 S *	2/2014	Fetherston et al.	D12/164
D701,798 S *	4/2014	Futschik et al.	D12/164

* cited by examiner

Primary Examiner — Melody N Brown

(74) *Attorney, Agent, or Firm* — Crowell & Moring LLP

(57) **CLAIM**

The ornamental design for a vehicle, toy, and/or replicas thereof, as shown and described.

DESCRIPTION

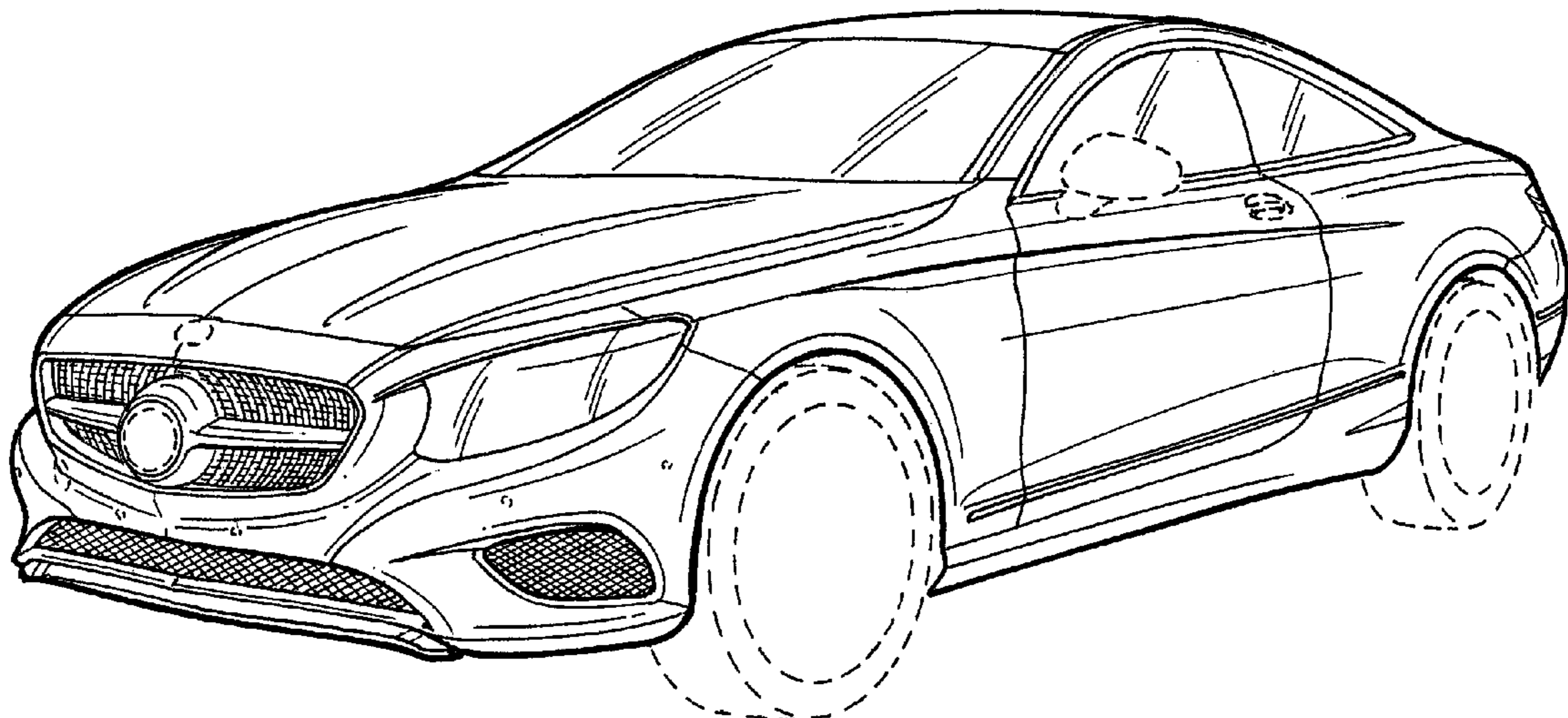
This application contains subject matter related to the following co-pending U.S. design patent applications:

Application Ser. No. 29/468,654, filed herewith and entitled "Front Portion of a Vehicle, Toy, and/or Replicas Thereof"; Application Ser. No. 29/468,655, filed herewith and entitled "Rear Portion of a Vehicle, Toy, and/or Replicas Thereof"; Application Ser. No. 29/468,656, filed herewith and entitled "Headlight for a Vehicle"; and Application Ser. No. 29/468,657, filed herewith and entitled "Taillight for a Vehicle".

FIG. 1 is a left, front perspective view of a vehicle, toy, and/or replicas thereof according to the design; FIG. 2 is a left, rear perspective view thereof; FIG. 3 is a right side view thereof; FIG. 4 is a left side view thereof; FIG. 5 is a front view thereof; FIG. 6 is a rear view thereof; and, FIG. 7 is a top view thereof.

The broken lines are for illustrative purposes only and form no part of the claimed design.

1 Claim, 6 Drawing Sheets



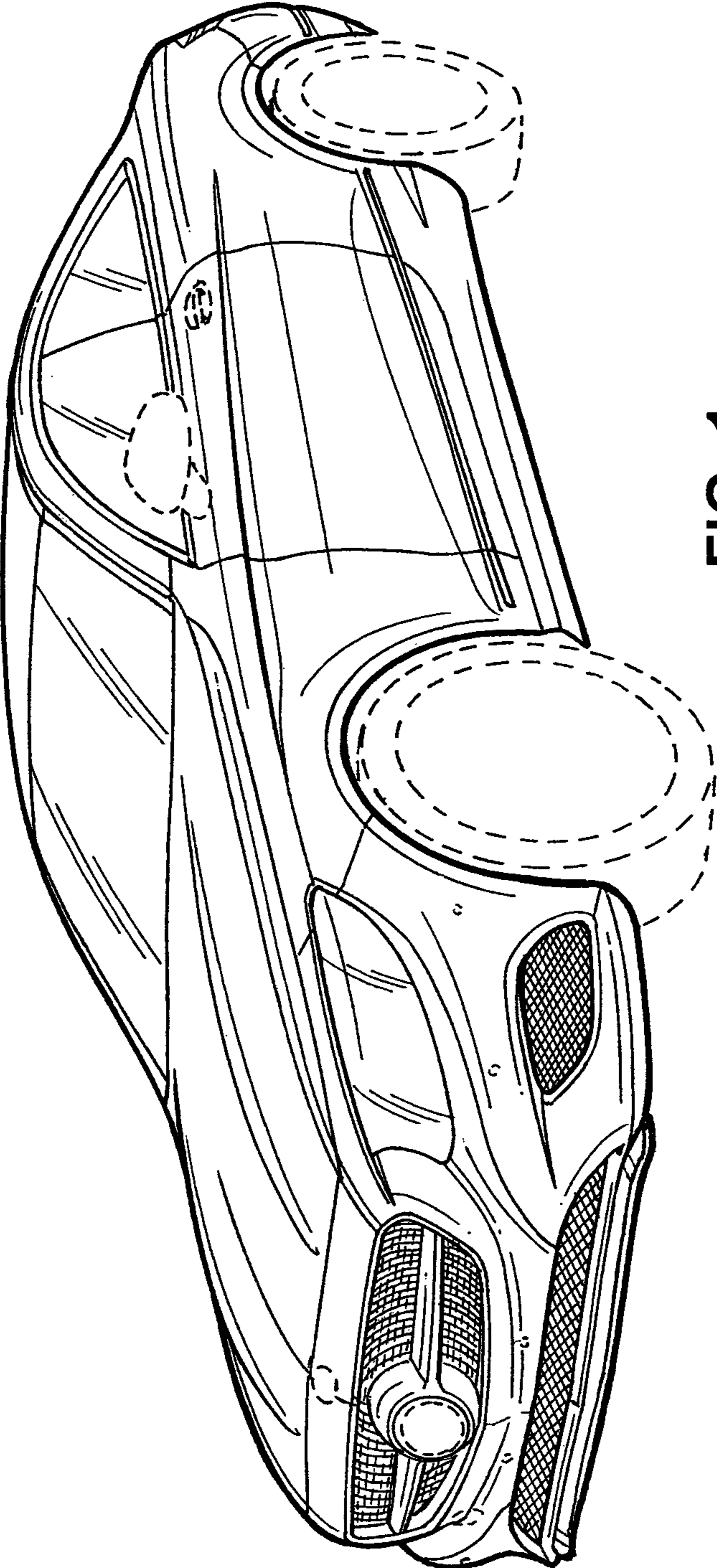


FIG. 1

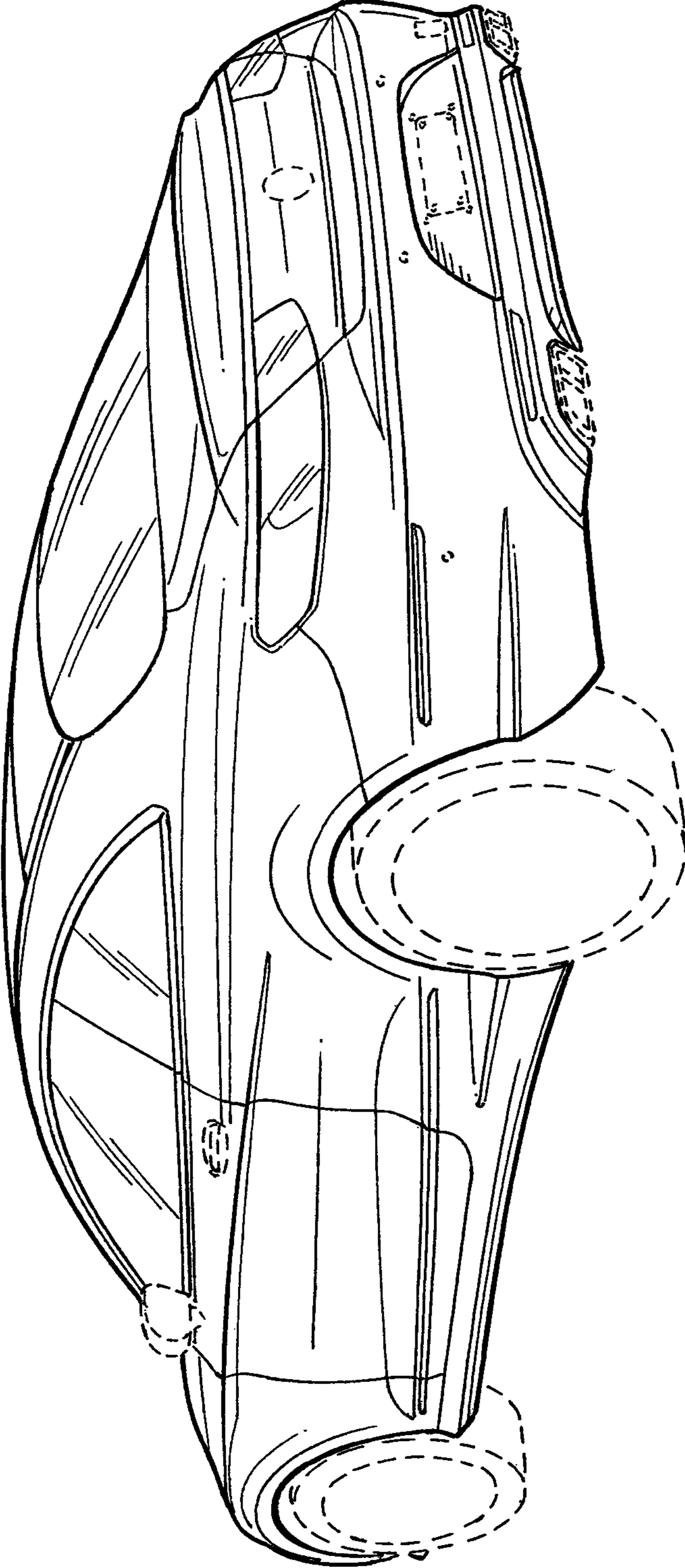


FIG. 2

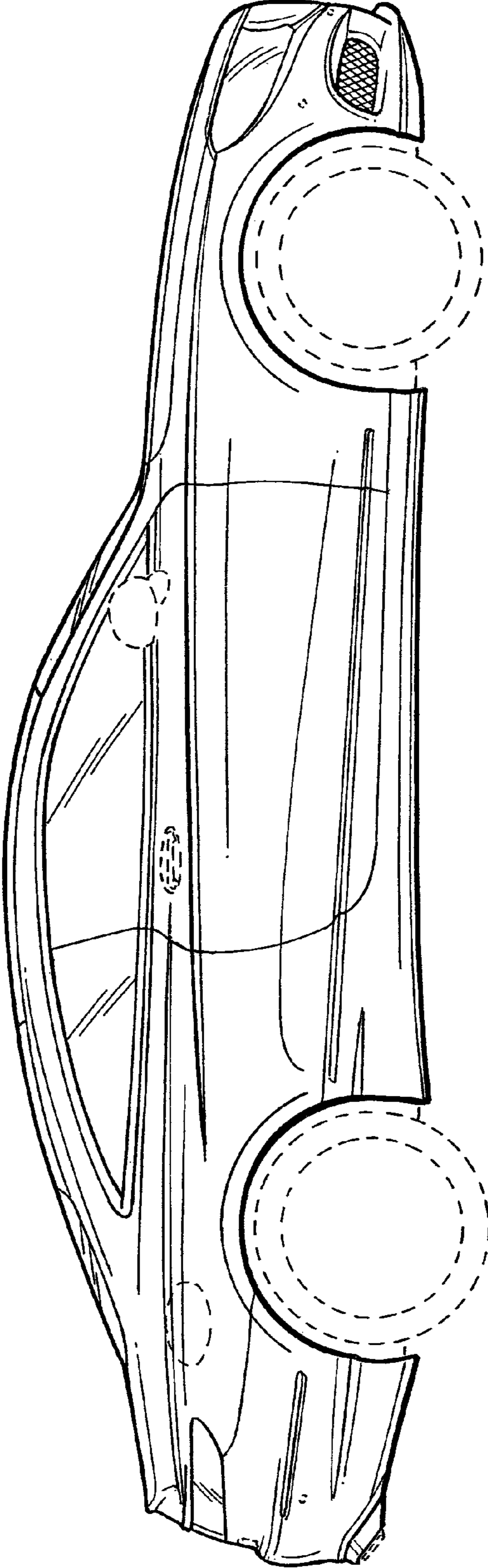


FIG. 3

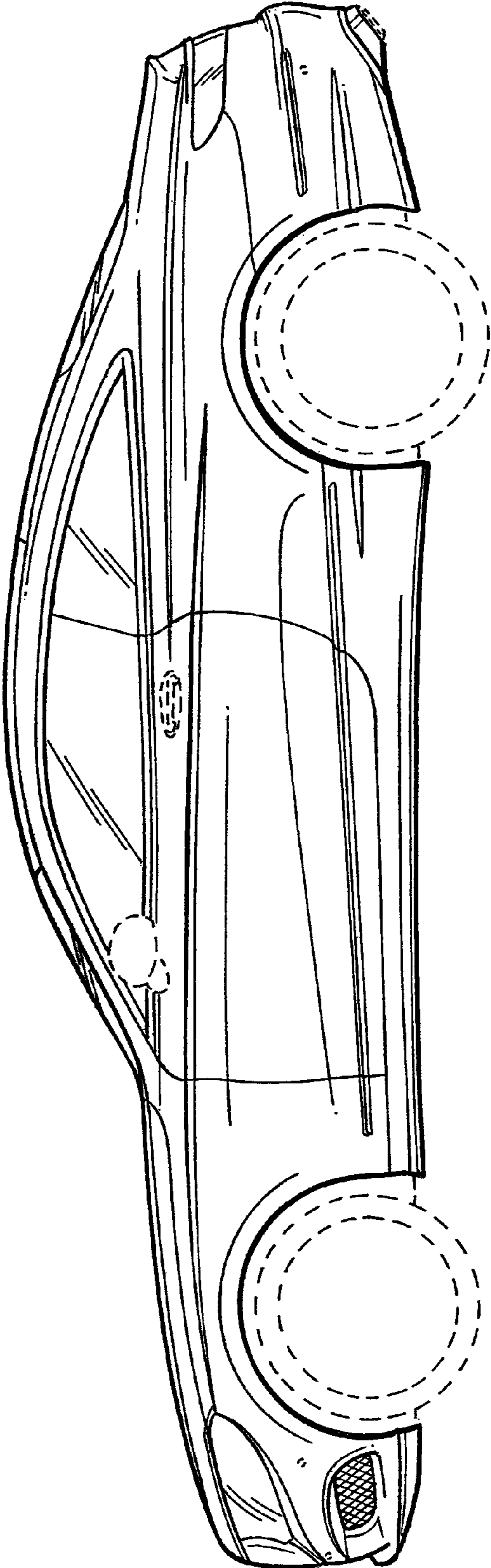


FIG. 4

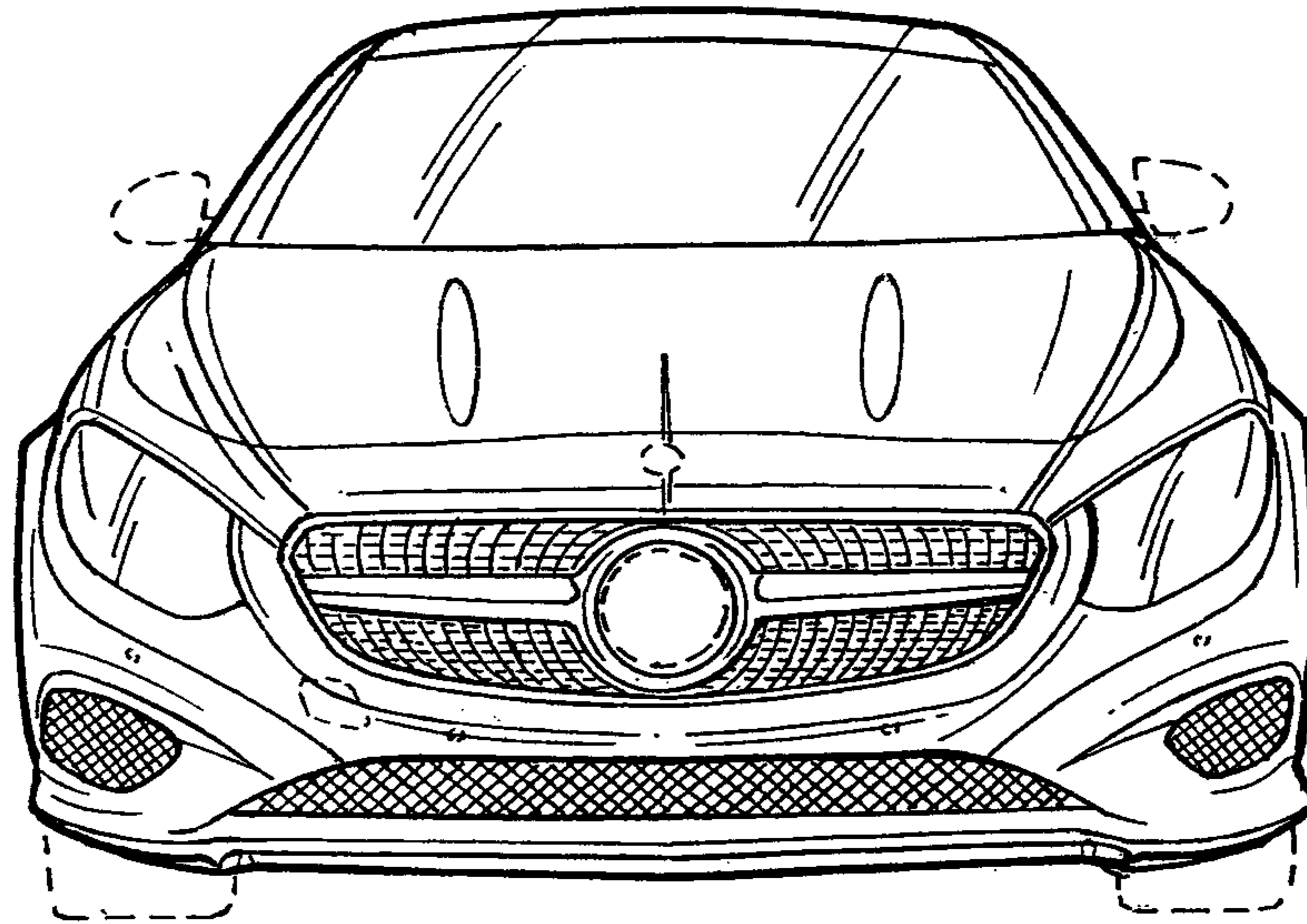


FIG. 5

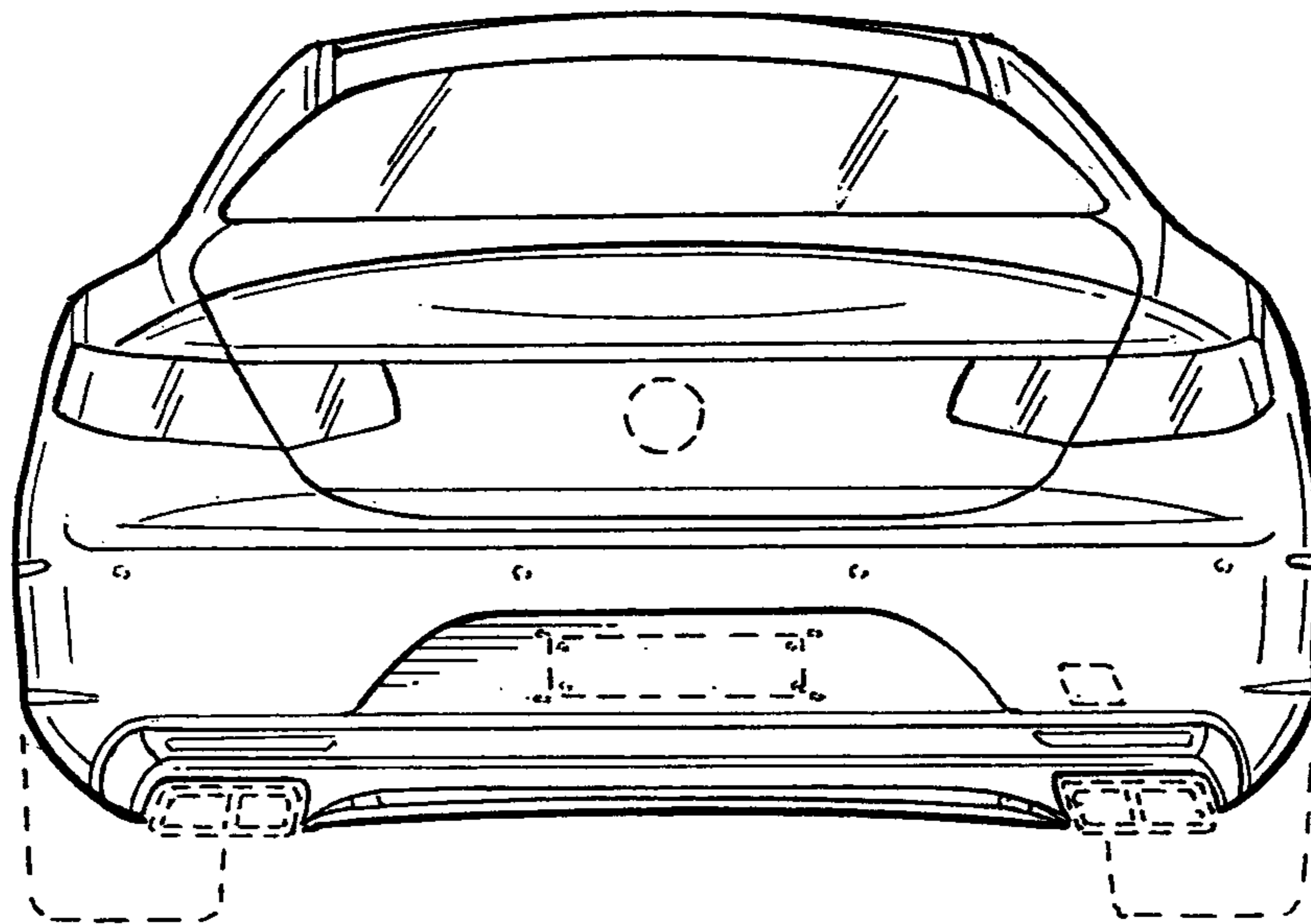


FIG. 6

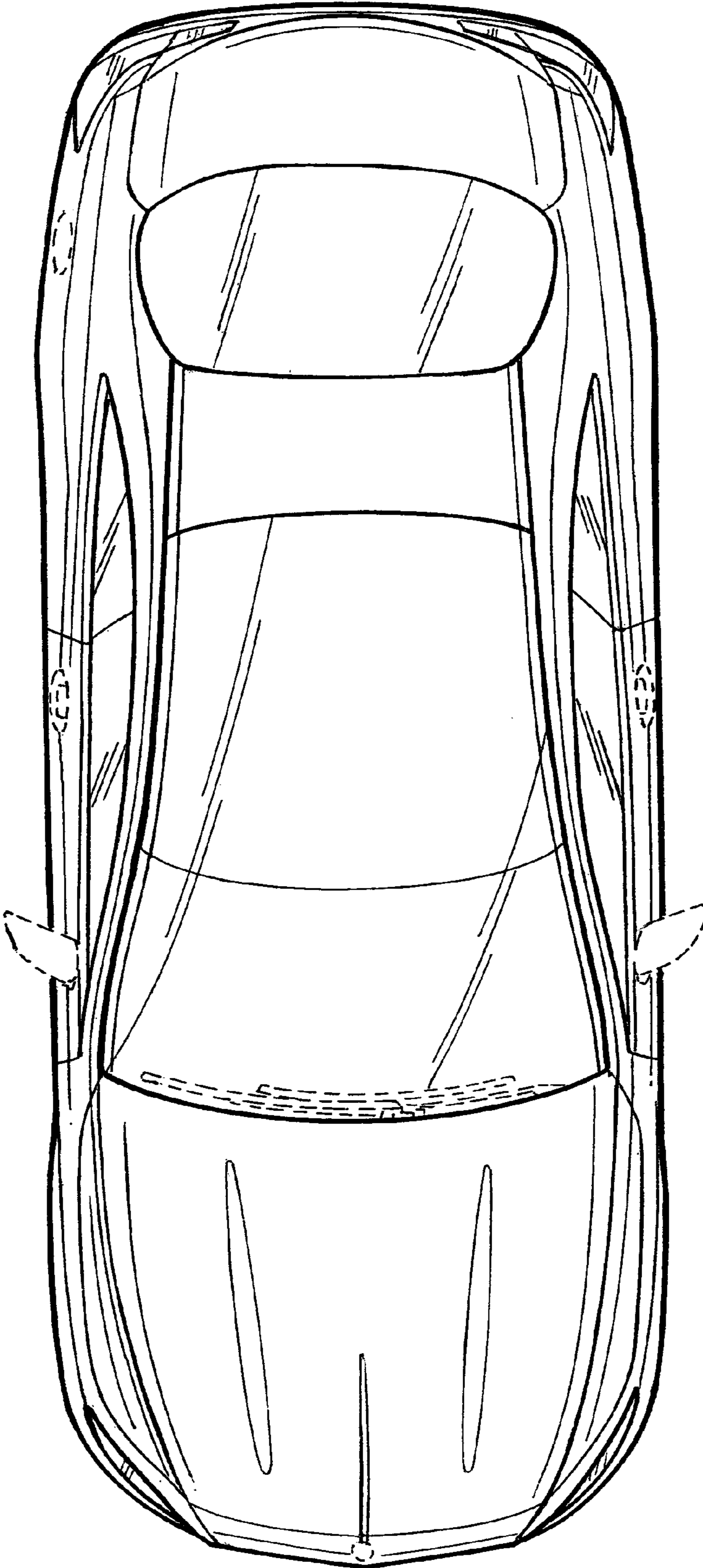


FIG. 7