



US00D716695S

(12) **United States Design Patent**  
**Woolley et al.**

(10) **Patent No.:** **US D716,695 S**

(45) **Date of Patent:** **\*\* Nov. 4, 2014**

(54) **VEHICLE**

(71) Applicant: **Jaguar Land Rover Limited**, Coventry (GB)

(72) Inventors: **Richard Woolley**, Coventry (GB);  
**David Grewer**, Coventry (GB)

(73) Assignee: **Jaguar Land Rover Limited** (GB)

(\*\*) Term: **14 Years**

(21) Appl. No.: **29/458,464**

(22) Filed: **Jun. 19, 2013**

(30) **Foreign Application Priority Data**

Dec. 20, 2012 (EM) ..... 002156604

(51) **LOC (10) Cl.** ..... **12-08**

(52) **U.S. Cl.**  
USPC ..... **D12/91**

(58) **Field of Classification Search**  
USPC ..... D12/86, 88, 90, 91, 92; D21/424, 433,  
D21/434; 296/181.1, 181.5  
See application file for complete search history.

(56) **References Cited**

**U.S. PATENT DOCUMENTS**

D243,521 S \* 3/1977 Tixier ..... D12/91  
D272,137 S \* 1/1984 Oshika et al. .... D12/91  
D304,914 S \* 12/1989 Winter ..... D12/91  
D338,431 S \* 8/1993 Abele ..... D12/91  
D392,920 S \* 3/1998 Verduyn et al. .... D12/91  
D422,941 S \* 4/2000 Sigurosson ..... D12/91  
D455,982 S \* 4/2002 Iso et al. .... D12/91

D457,107 S \* 5/2002 Kember et al. .... D12/91  
D476,268 S \* 6/2003 Castiglione et al. .... D12/91  
D534,459 S \* 1/2007 Kim et al. .... D12/91  
D605,977 S \* 12/2009 Zipfel et al. .... D12/91  
D664,897 S \* 8/2012 Ramaciotti ..... D12/91  
D691,516 S \* 10/2013 Dockeray ..... D12/91

**OTHER PUBLICATIONS**

2012 Range Rover Evoque. Electronic Brochure. Sep. 22, 2011 [online], [retrieved on Dec. 29, 2013]. Retrieved from the Internet <URL: [http://www.auto-brochures.com/makes/landrover/Evoque/Land%20Rover\\_US%20Evoque\\_2012-2.pdf](http://www.auto-brochures.com/makes/landrover/Evoque/Land%20Rover_US%20Evoque_2012-2.pdf)>.\*

\* cited by examiner

*Primary Examiner* — Philip S Hyder

*Assistant Examiner* — Darlington Ly

(74) *Attorney, Agent, or Firm* — Rader, Fishman & Grauer PLLC

(57) **CLAIM**

The ornamental design for a vehicle, as shown and described.

**DESCRIPTION**

FIG. 1 is a top, front, and left side perspective view of a vehicle;

FIG. 2 is a top, rear, and left side perspective view thereof;

FIG. 3 is a left side elevation view thereof;

FIG. 4 is a right side elevation view thereof;

FIG. 5 is a front elevation view thereof;

FIG. 6 is a rear elevation view thereof; and,

FIG. 7 is a top plan view thereof.

The broken lines shown in the drawings illustrate portions of the vehicle that forms no part of claimed design.

**1 Claim, 6 Drawing Sheets**

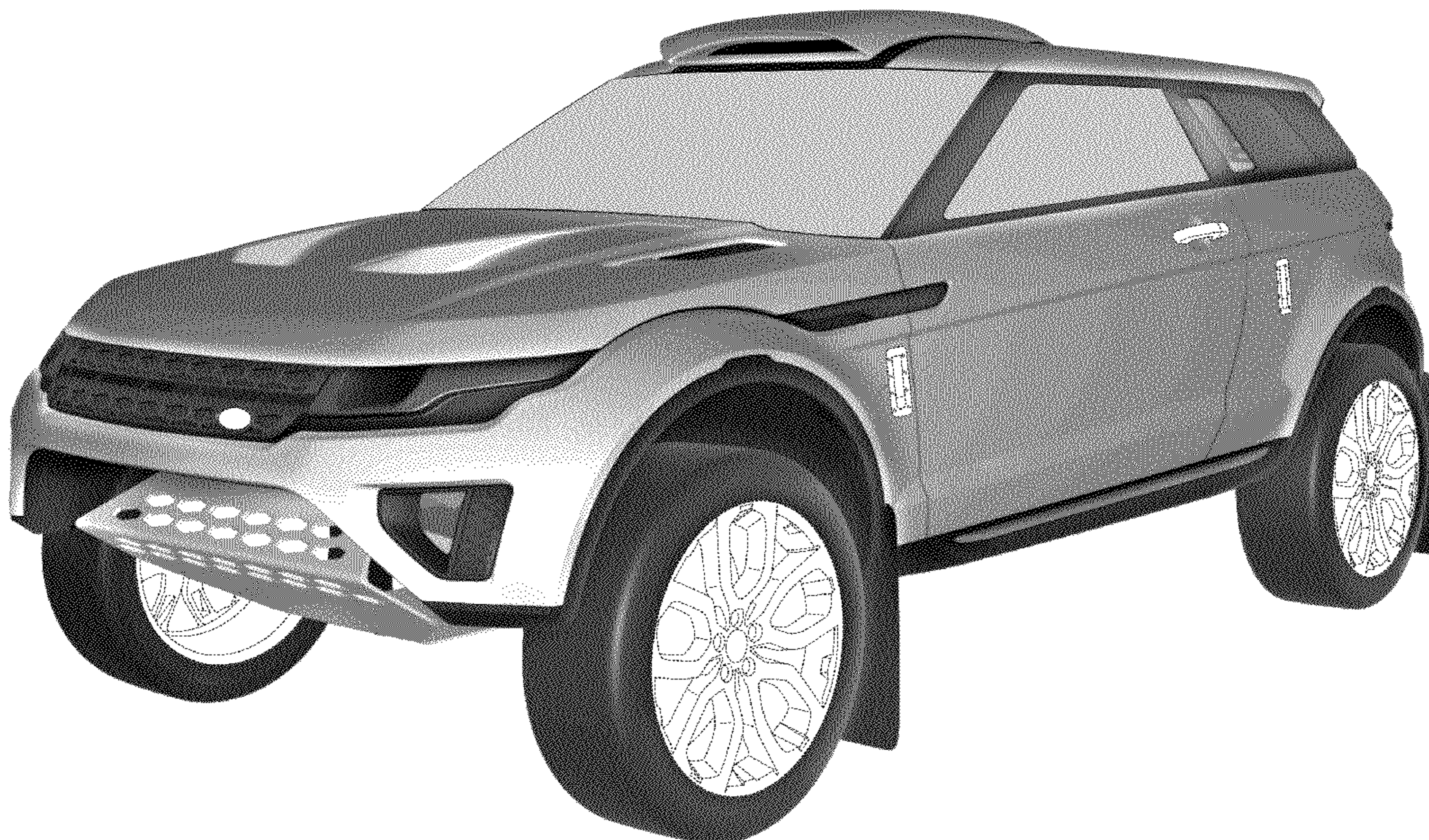




FIG. 1



FIG. 2



FIG. 3



FIG. 4

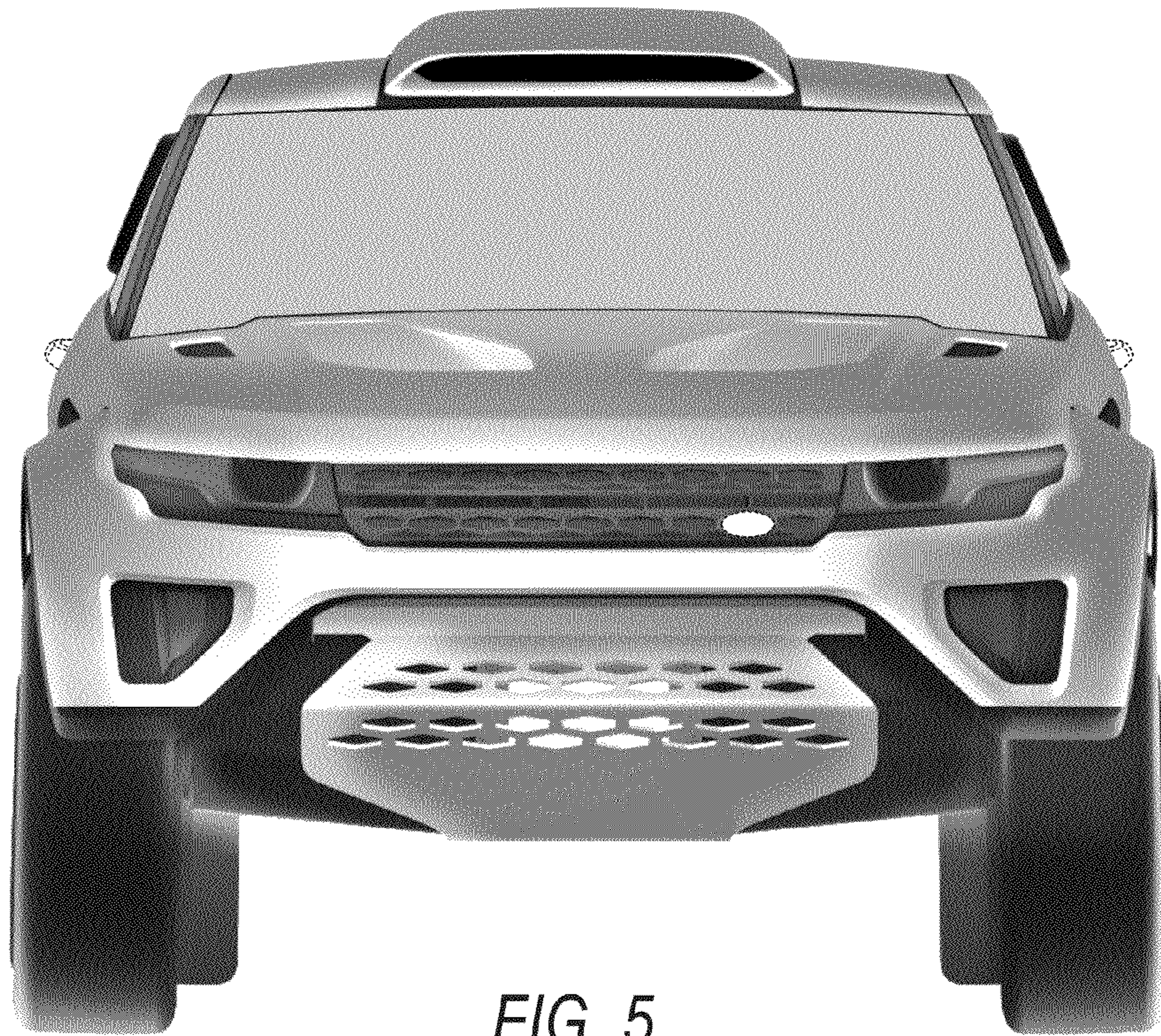


FIG. 5

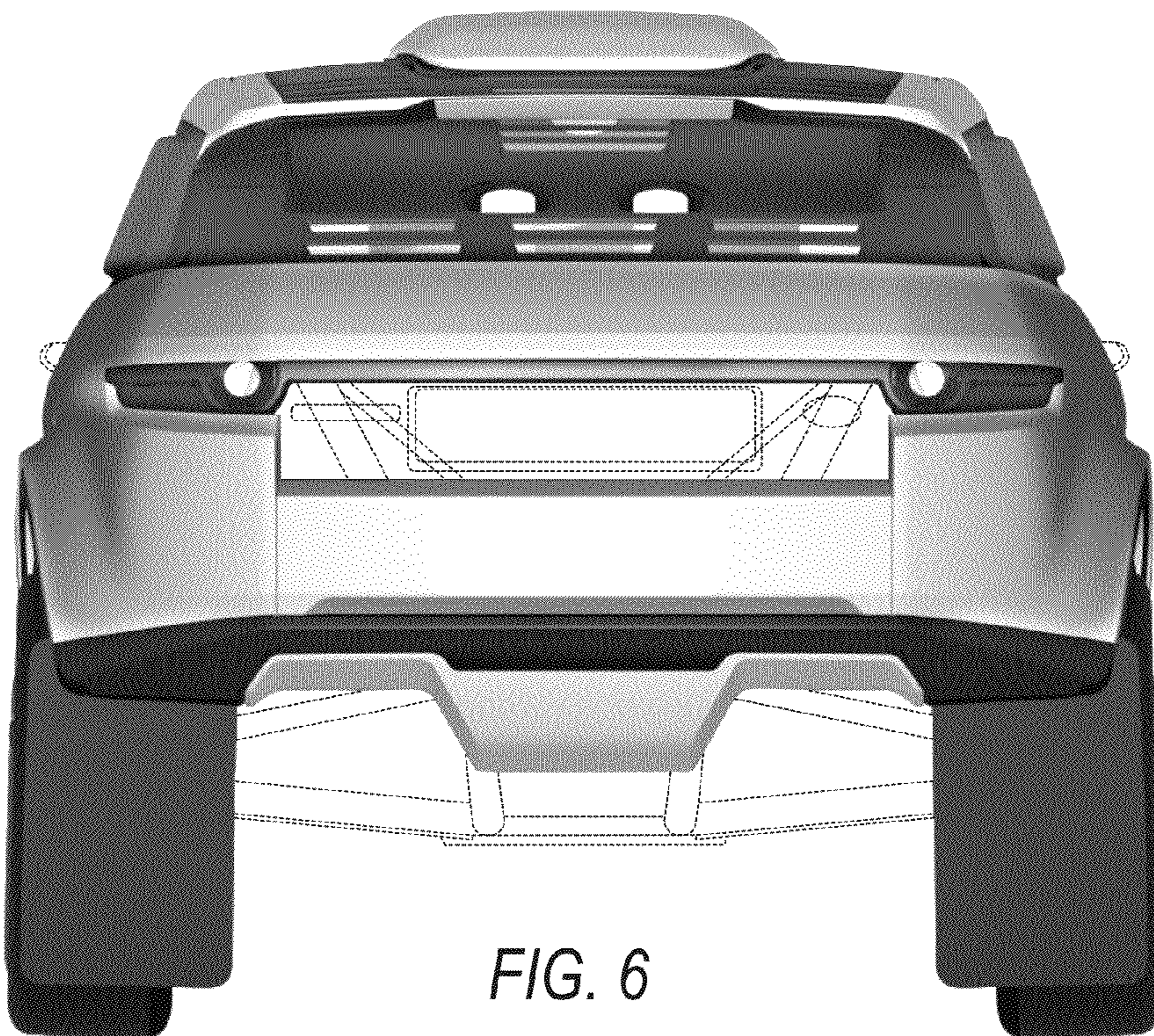


FIG. 6

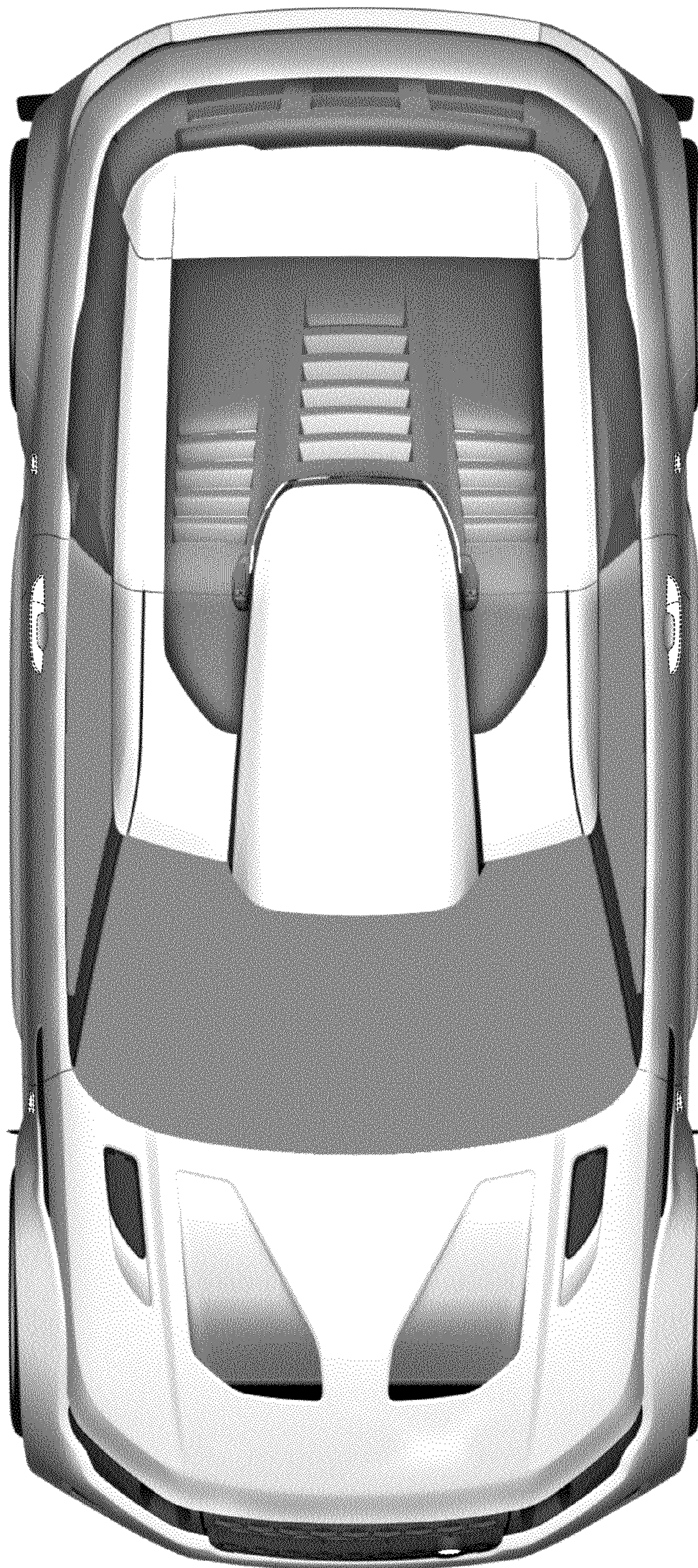


FIG. 7