



US00D716694S

(12) **United States Design Patent**
Higashikawa

(10) **Patent No.:** **US D716,694 S**

(45) **Date of Patent:** **** Nov. 4, 2014**

(54) **TRANSPORT VEHICLE**

FOREIGN PATENT DOCUMENTS

(71) Applicant: **Kubota Corporation**, Osaka (JP)

JP 1187561 10/2003

(72) Inventor: **Yoshitaka Higashikawa**, Sakai (JP)

JP 1310436 9/2007

(73) Assignee: **Kubota Corporation**, Osaka (JP)

JP 1311373 10/2007

(**) Term: **14 Years**

JP 1313649 10/2007

(21) Appl. No.: **29/450,632**

JP 1313650 10/2007

(22) Filed: **Mar. 20, 2013**

JP 1313651 10/2007

(30) **Foreign Application Priority Data**

JP 1313961 10/2007

Sep. 28, 2012 (JP) 2012-023743

JP 1329590 5/2008

(51) **LOC (10) Cl.** **12-13**

JP 1330342 5/2008

(52) **U.S. Cl.**
USPC **D12/14**

(58) **Field of Classification Search**
USPC D12/14, 1, 87, 86, 433, 15, 16, 107, 82,
D12/88, 89, 90, 91, 92, 93; D21/803;
180/233, 908; 208/DIG. 5, 183, 184,
208/185, 186, 28, 37.7
See application file for complete search history.

* cited by examiner

Primary Examiner — T. Chase Nelson

Assistant Examiner — Ania Aman

(74) *Attorney, Agent, or Firm* — The Webb Law Firm

(56) **References Cited**

U.S. PATENT DOCUMENTS

D675,960 S * 2/2013 Hashimoto et al. D12/87
D679,627 S * 4/2013 Li et al. D12/14
D682,738 S * 5/2013 Li et al. D12/14
D689,396 S * 9/2013 Wang D12/14
8,585,088 B1 * 11/2013 Kaku et al. 280/756
D694,668 S * 12/2013 Li et al. D12/14
D699,627 S * 2/2014 Tang D12/14
2008/0053738 A1 * 3/2008 Kosuge et al. 180/311
2012/0161477 A1 * 6/2012 Furman et al. 296/203.03

(57) **CLAIM**

The ornamental design for a transport vehicle, as shown and described.

DESCRIPTION

FIG. 1 is a right side view of a transport vehicle showing my new design;

FIG. 2 is a left side view thereof;

FIG. 3 is a front view thereof;

FIG. 4 is a rear view thereof;

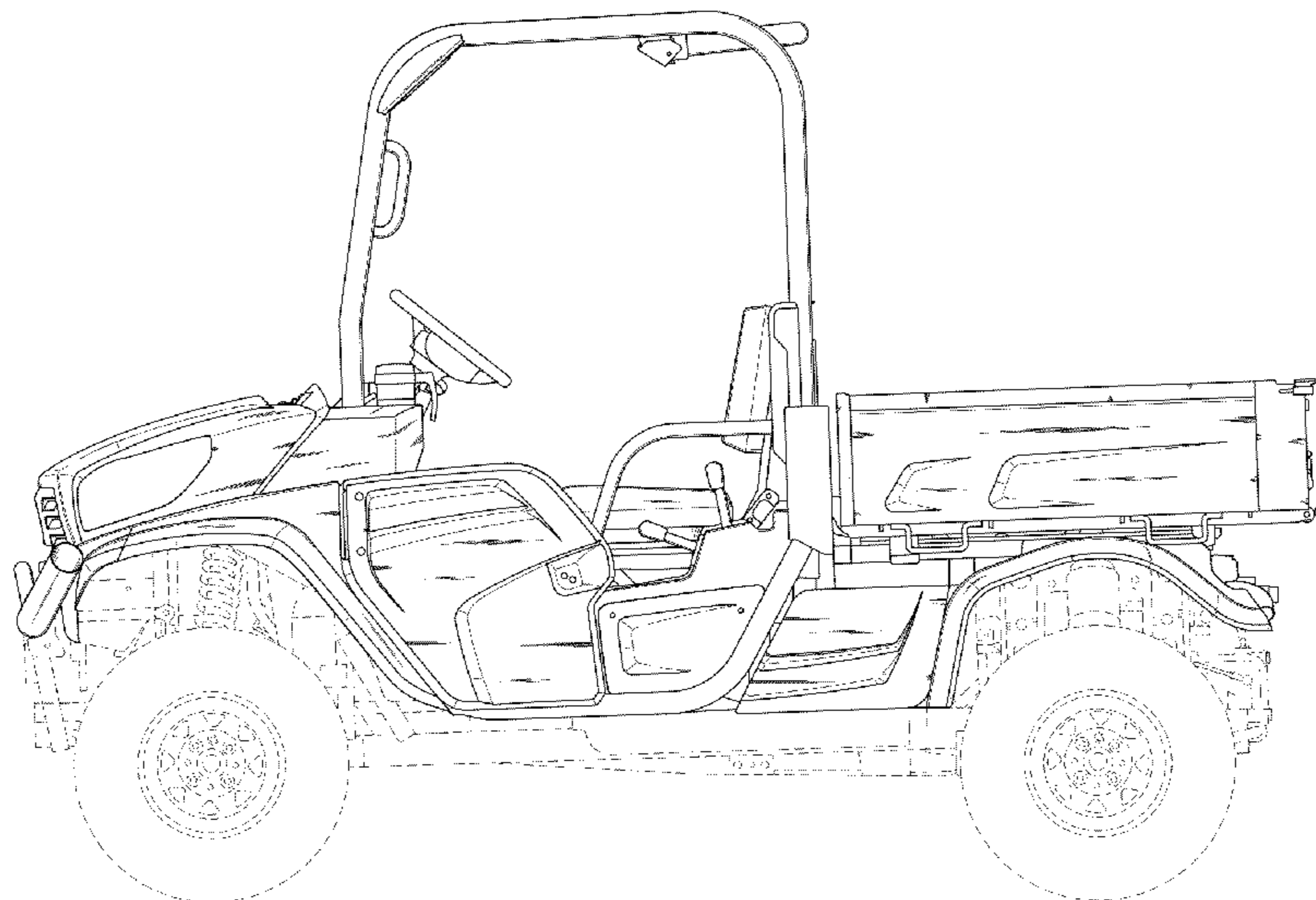
FIG. 5 is a top view thereof; and,

FIG. 6 is a upper right front perspective view thereof.

A bottom view is omitted because it is plain and unornamental and forms no part of the subject matter of the claimed design.

The portions of the transport vehicle shown in broken lines form no part of the claimed design.

1 Claim, 6 Drawing Sheets



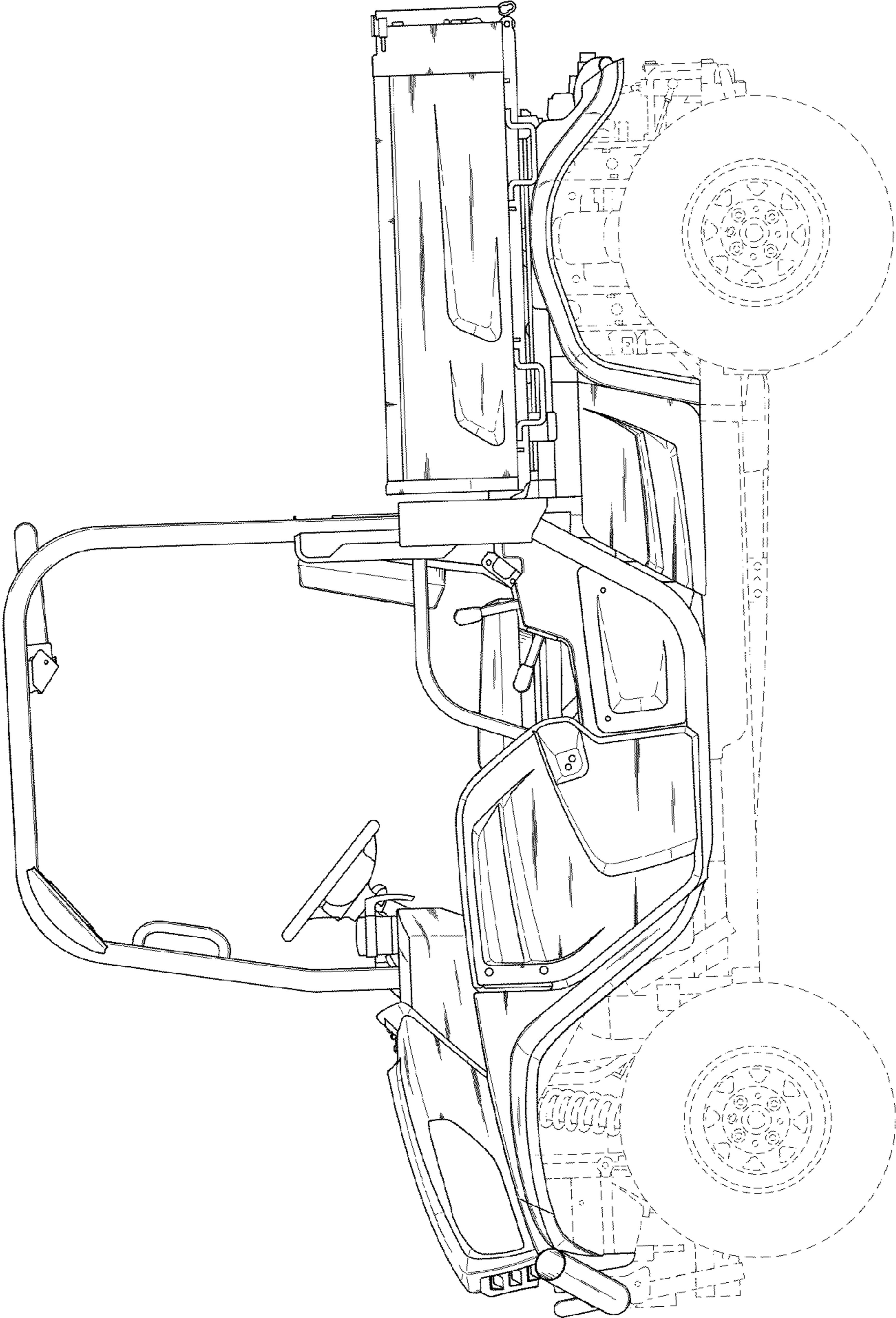


FIG. 1

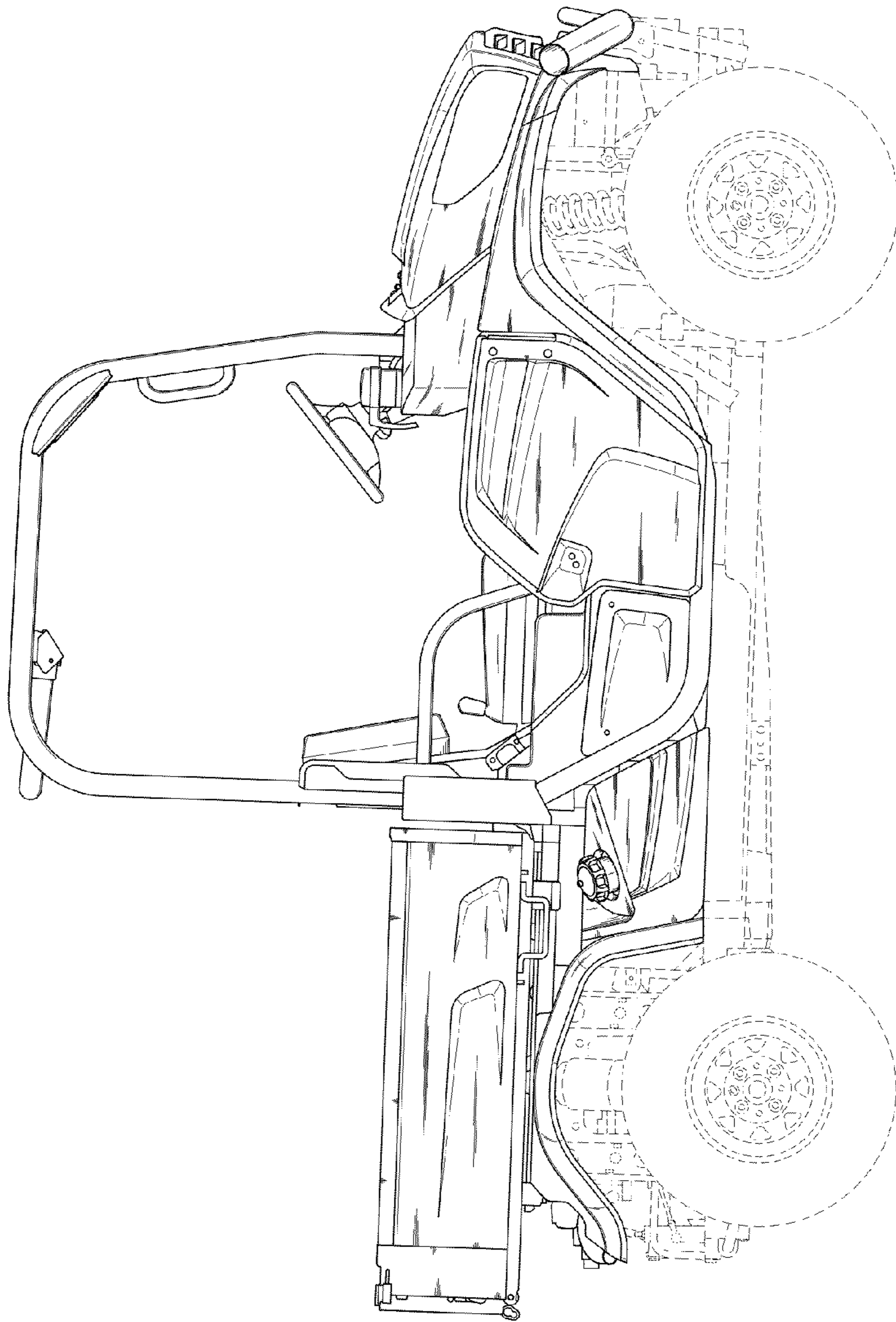


FIG. 2

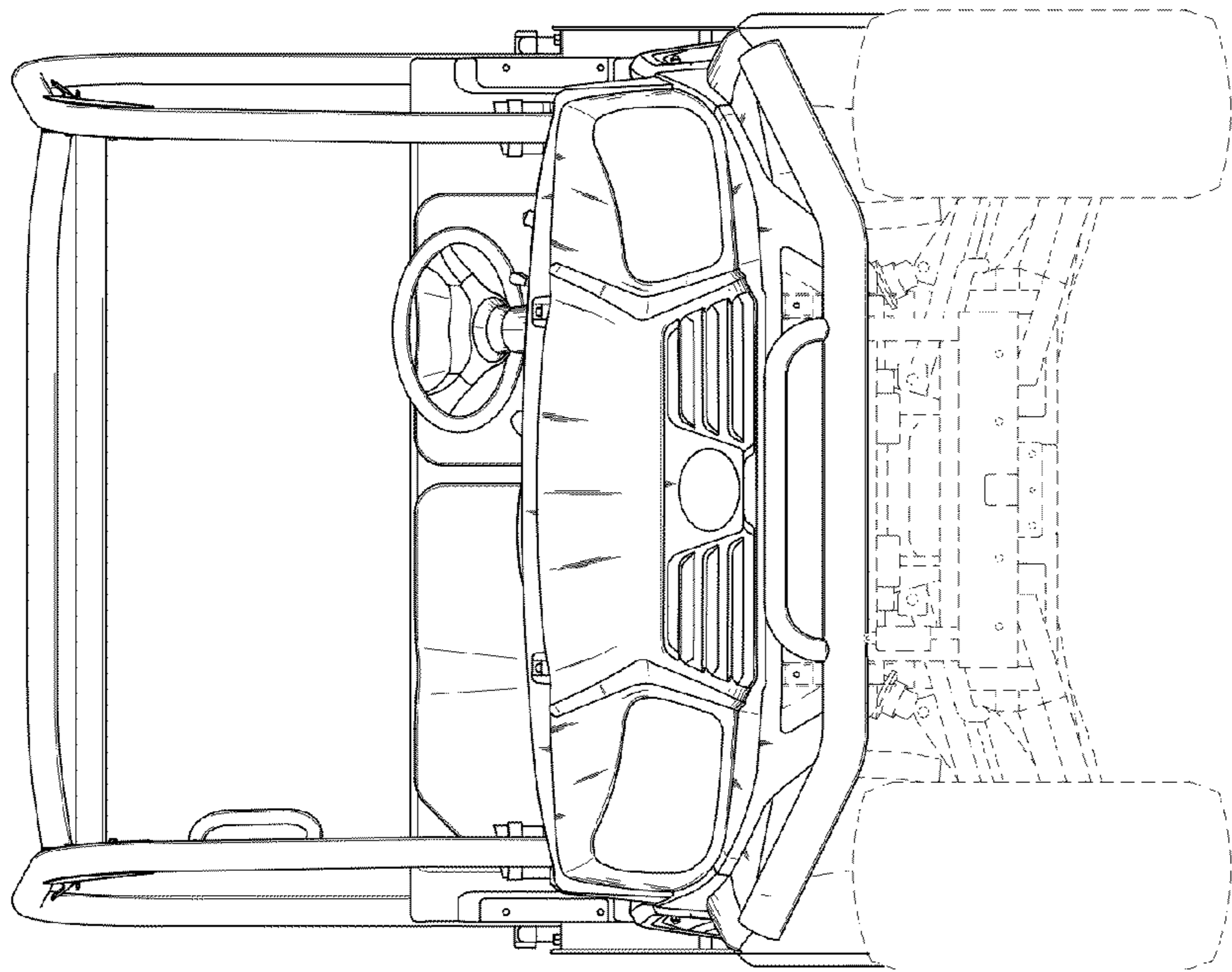


FIG. 3

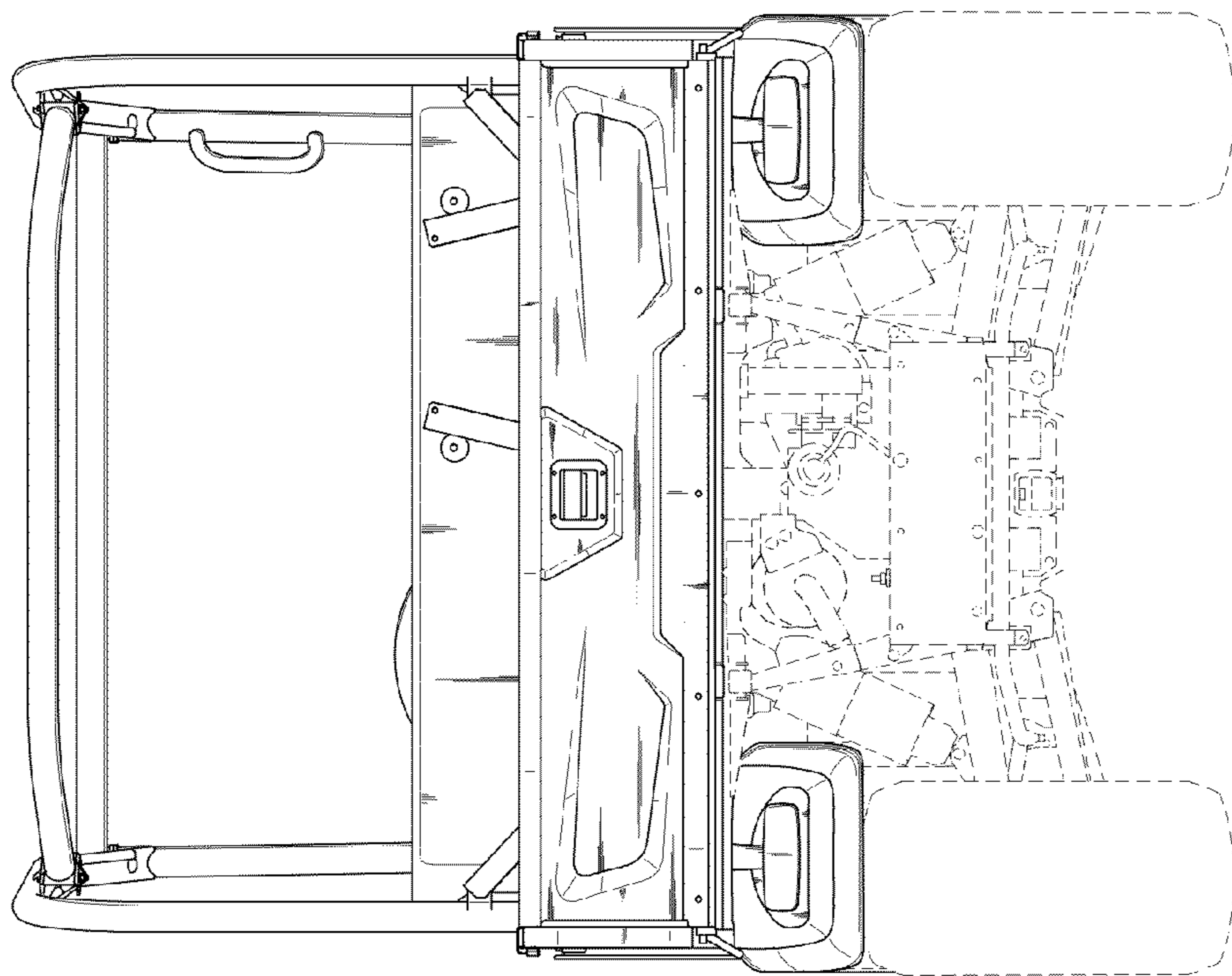


FIG. 4

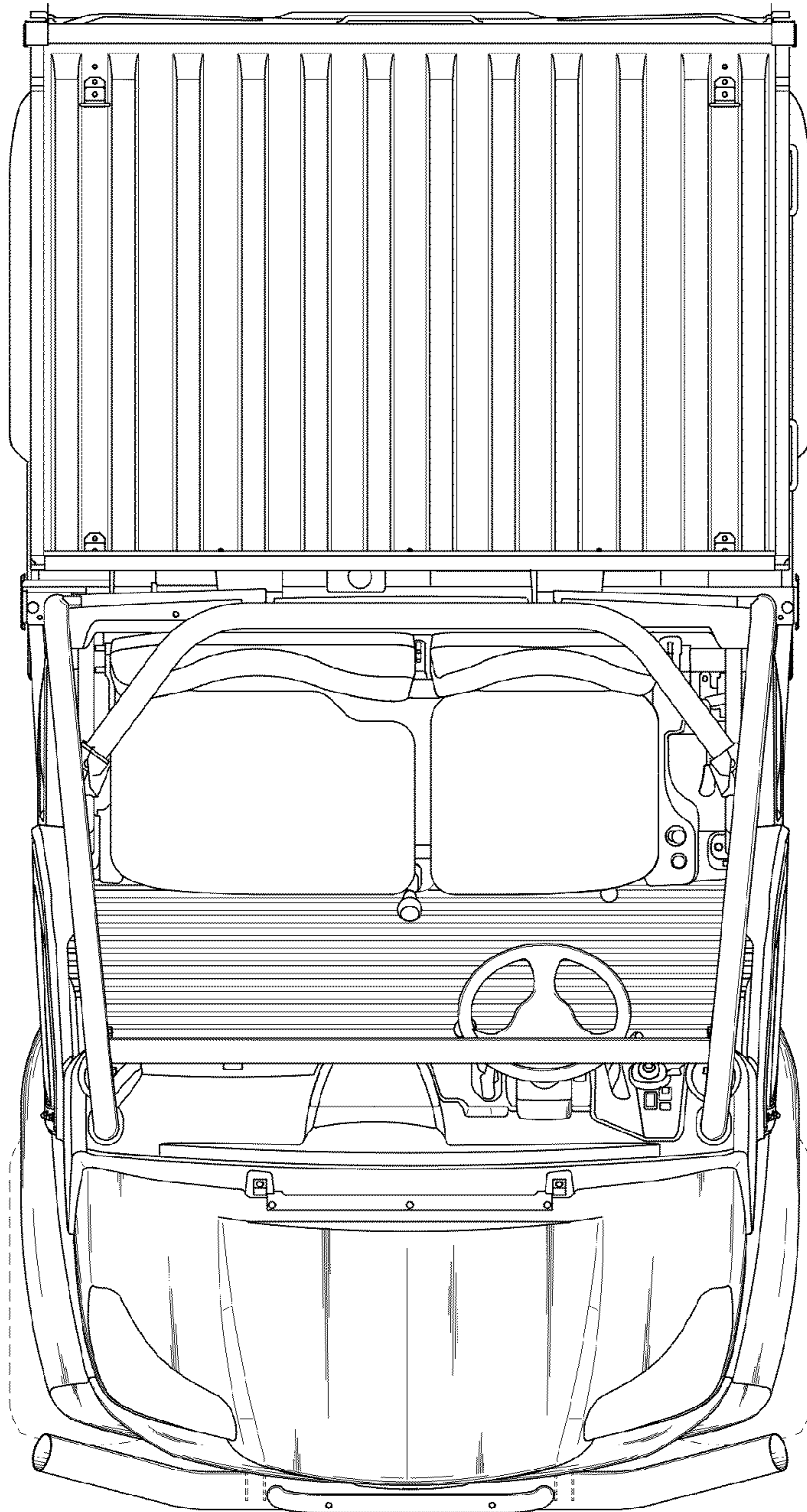


FIG. 5

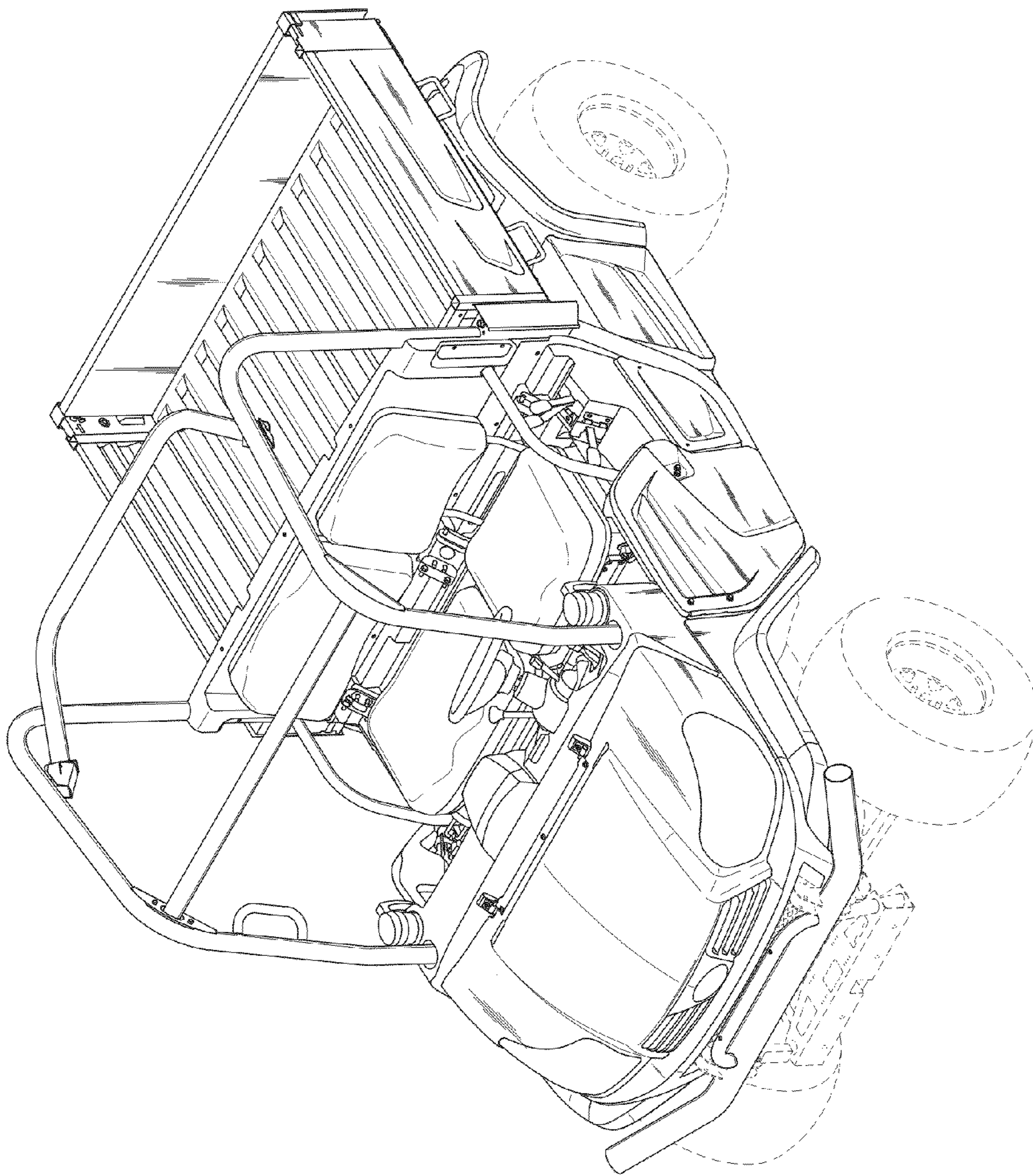


FIG. 6