



US00D716693S

(12) **United States Design Patent**
Higashikawa

(10) **Patent No.:** **US D716,693 S**
(45) **Date of Patent:** **** Nov. 4, 2014**

(54) **TRANSPORT VEHICLE**

FOREIGN PATENT DOCUMENTS

(71) Applicant: **Kubota Corporation**, Osaka (JP)
(72) Inventor: **Yoshitaka Higashikawa**, Sakai (JP)
(73) Assignee: **Kubota Corporation**, Osaka (JP)
(**) Term: **14 Years**

JP	1187561	10/2003
JP	1310436	9/2007
JP	1311373	10/2007
JP	1313649	10/2007
JP	1313650	10/2007
JP	1313651	10/2007
JP	1313961	10/2007
JP	1329590	5/2008
JP	1330342	5/2008

(21) Appl. No.: **29/450,626**

* cited by examiner

(22) Filed: **Mar. 20, 2013**

Primary Examiner — T. Chase Nelson

Assistant Examiner — Ania Aman

(30) **Foreign Application Priority Data**

(74) *Attorney, Agent, or Firm* — The Webb Law Firm

Sep. 28, 2012 (JP) 2012-023744

(51) **LOC (10) Cl.** **12-13**

(52) **U.S. Cl.**

USPC **D12/14**

(58) **Field of Classification Search**

USPC D12/14, 1, 87, 86, 433, 15, 16, 107, 82,
D12/88, 89, 90, 91, 92, 93; D21/803;
180/233, 908; 208/DIG. 5, 183, 184,
208/185, 186, 28, 37.7; D15/23
See application file for complete search history.

(56) **References Cited**

U.S. PATENT DOCUMENTS

D521,413 S *	5/2006	Katoh	D12/1
D607,377 S *	1/2010	Shimomura et al.	D12/14
D621,423 S *	8/2010	Nakanishi et al.	D15/23
2008/0084082 A1 *	4/2008	Nakamura et al.	296/37.15
2008/0084091 A1 *	4/2008	Nakamura et al.	296/190.08

(57) **CLAIM**

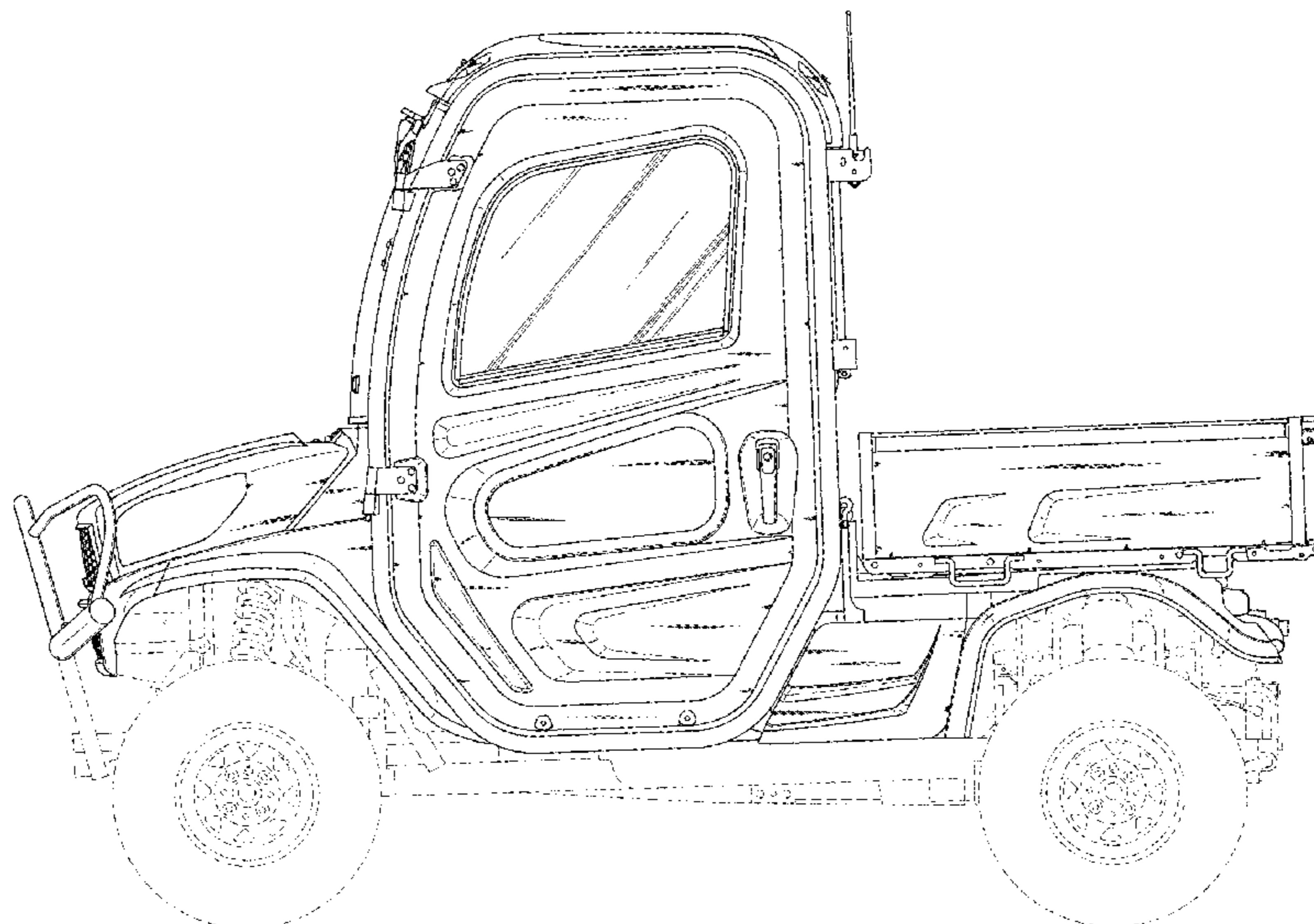
The ornamental design for a transport vehicle, as shown and described.

DESCRIPTION

FIG. 1 is a right side view of a transport vehicle showing my new design;
FIG. 2 is a left side view thereof;
FIG. 3 is a front view thereof;
FIG. 4 is a rear view thereof;
FIG. 5 is a top view thereof; and,
FIG. 6 is an upper right front perspective view thereof.
A bottom view is omitted because it is plain and unornamental and forms no part of the subject matter of the claimed design.

The portions of the transport vehicle shown in broken lines form no part of the claimed design.

1 Claim, 6 Drawing Sheets



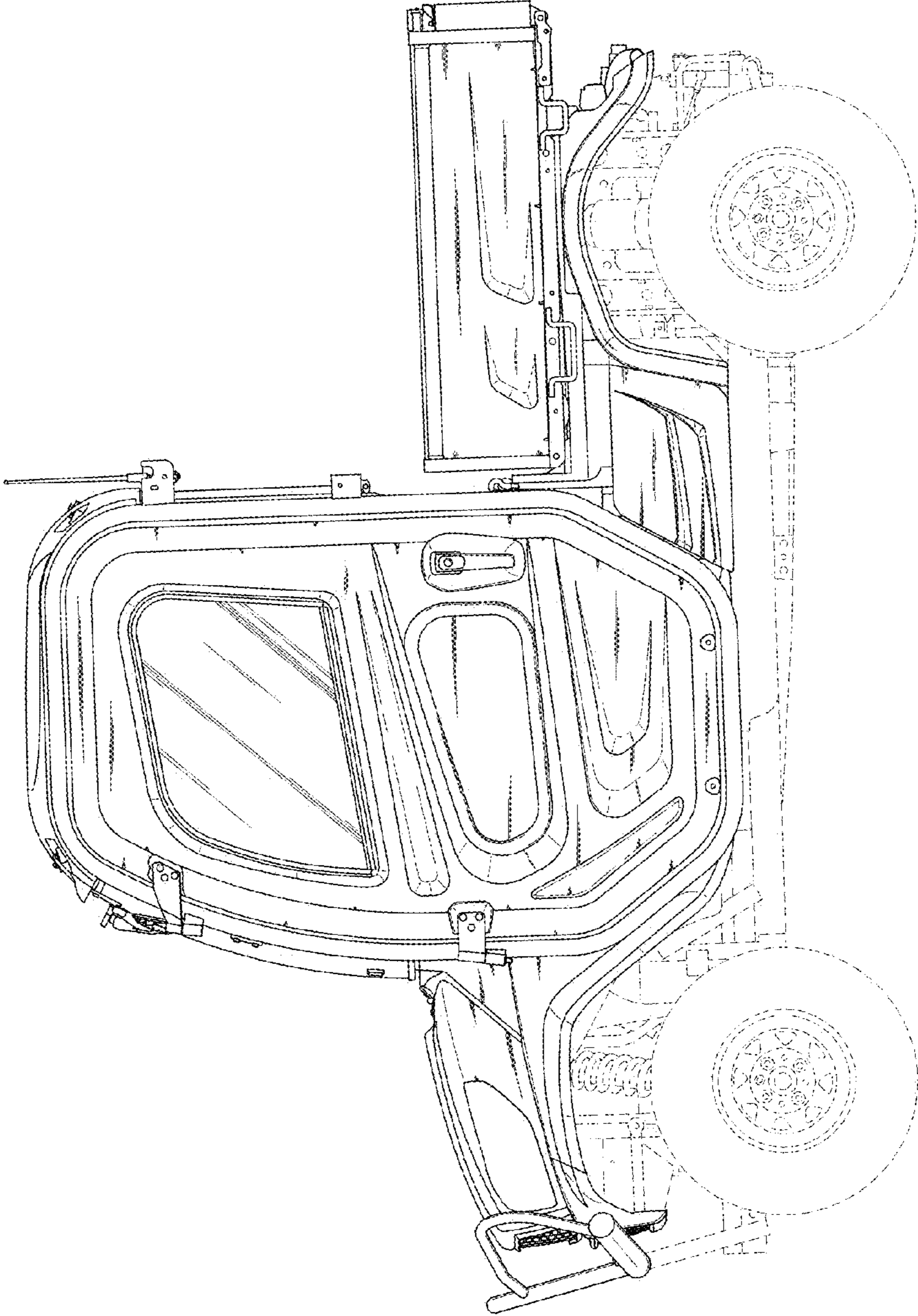


FIG. 1

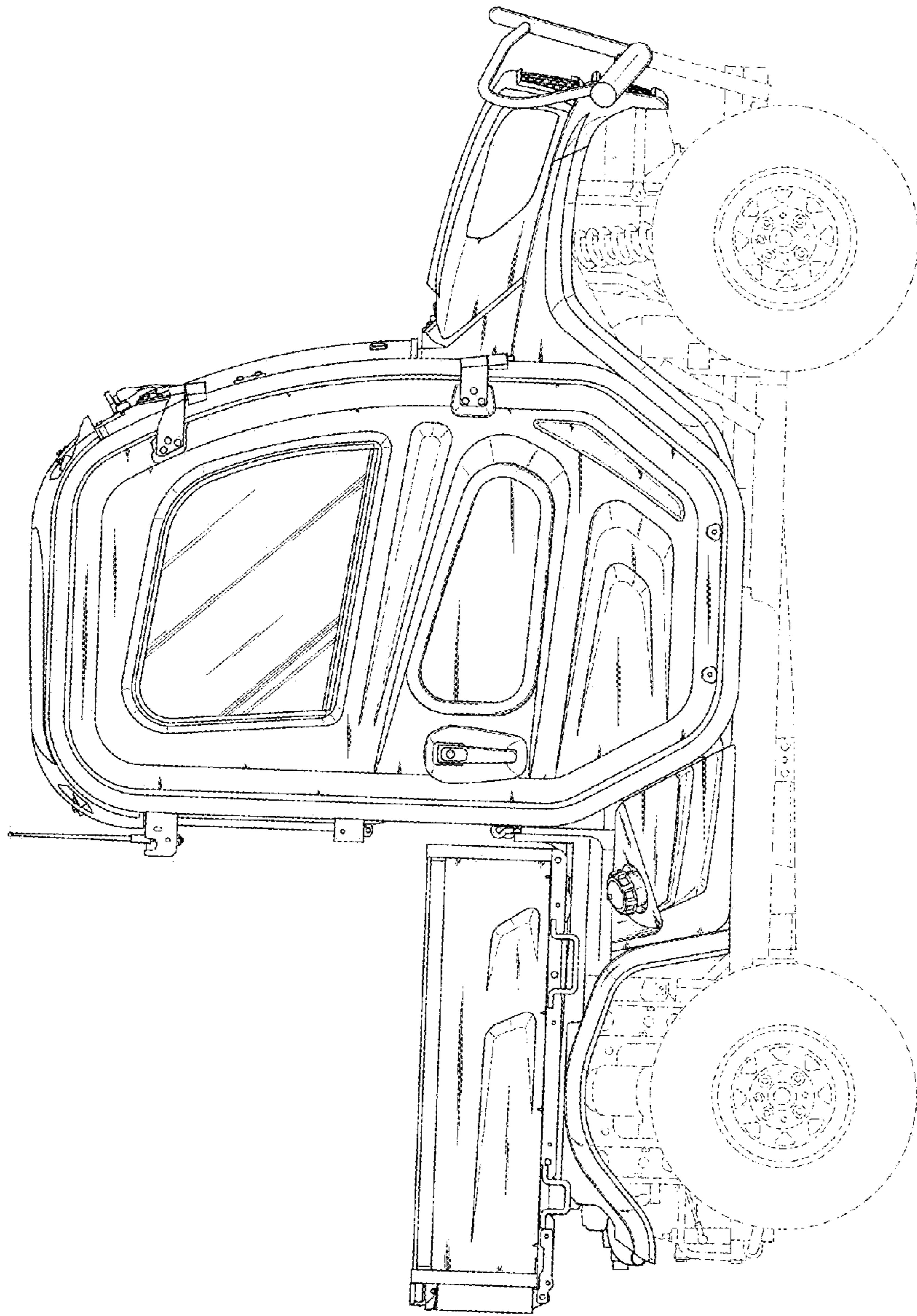


FIG. 2

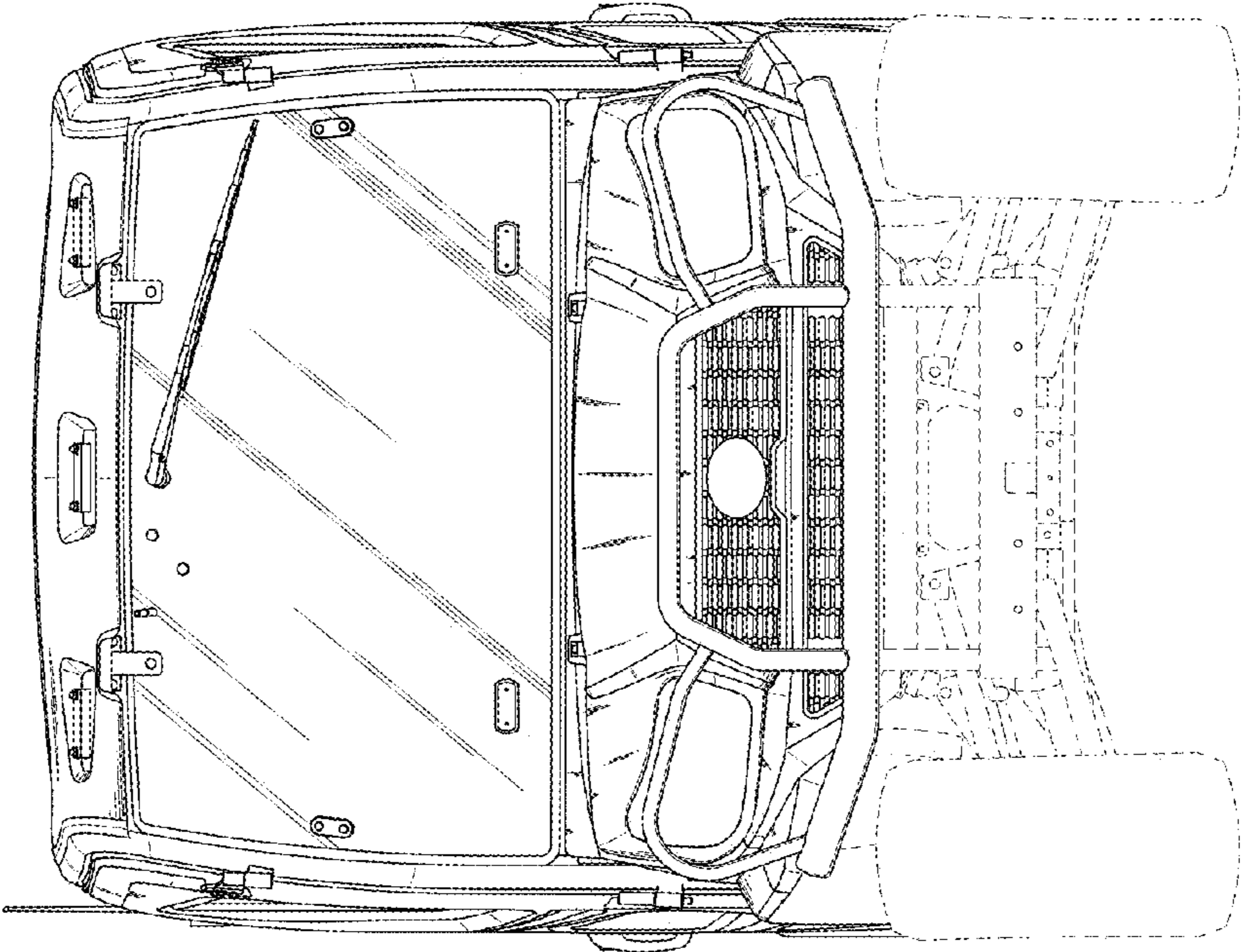


FIG. 3

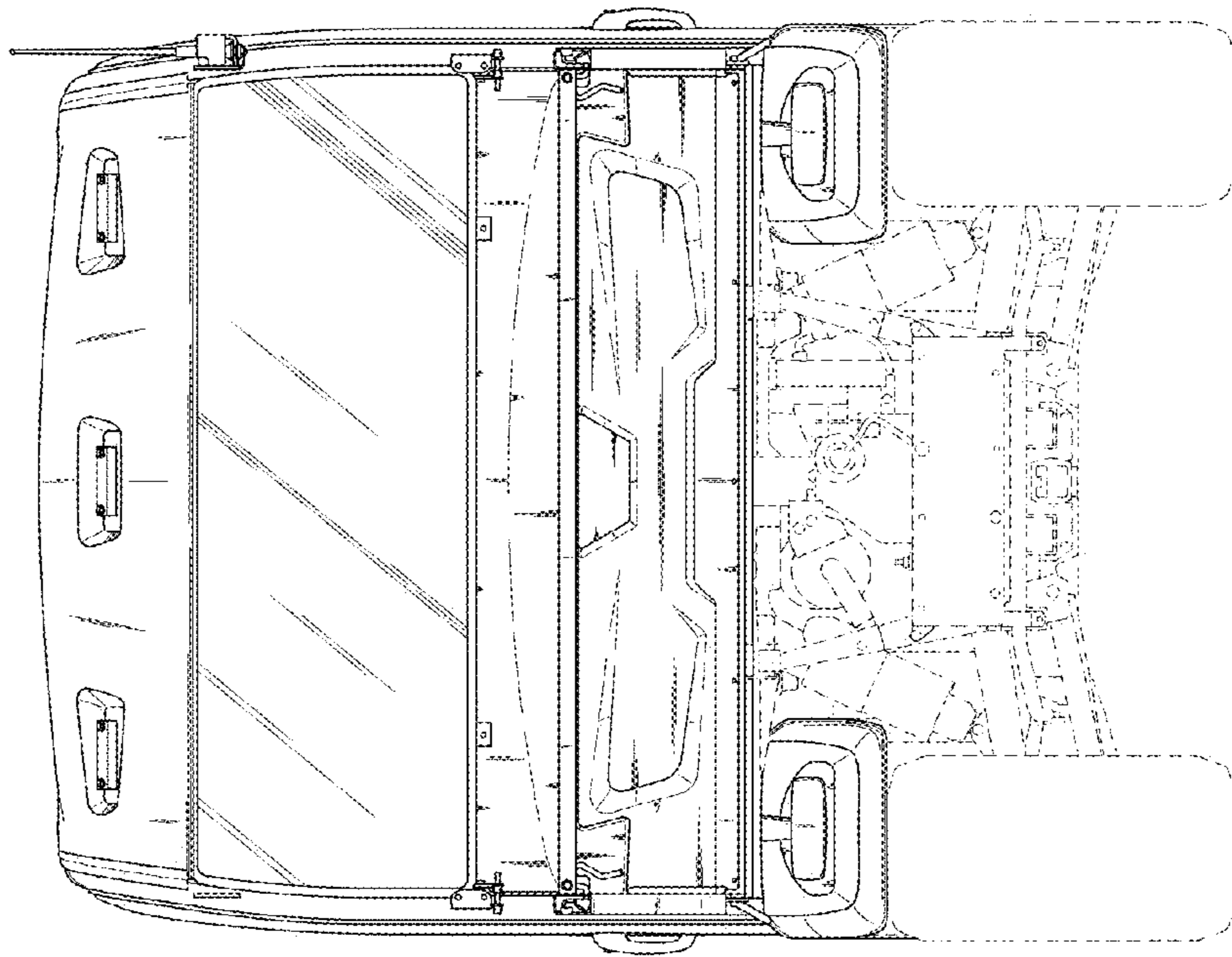


FIG. 4

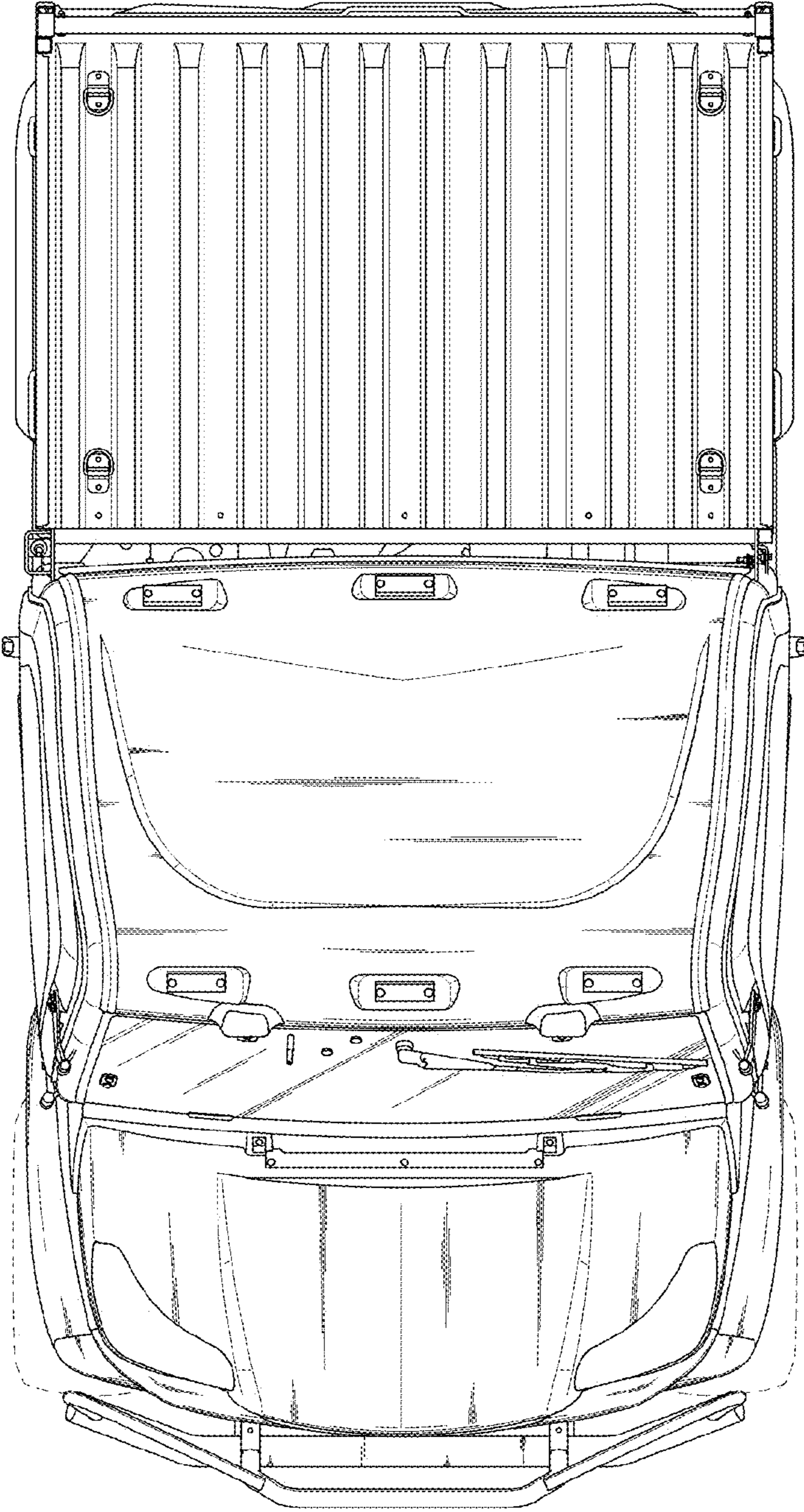


FIG. 5

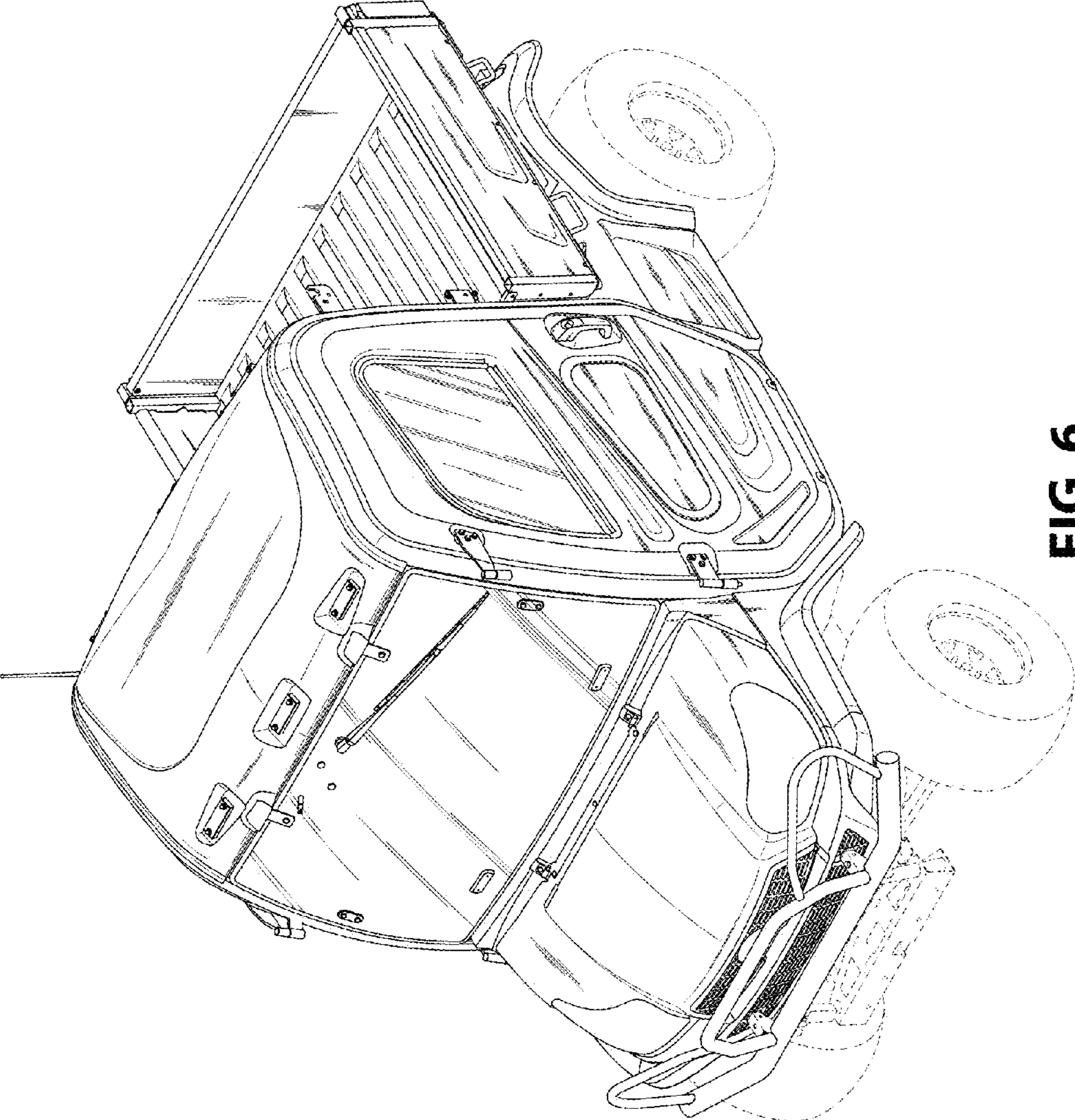


FIG. 6