



US00D716691S

(12) **United States Design Patent**
Iannello et al.

(10) **Patent No.:** **US D716,691 S**

(45) **Date of Patent:** **** Nov. 4, 2014**

(54) **BUCKLE LATCH**

(71) Applicant: **Illinois Tool Works Inc.**, Glenview, IL (US)

(72) Inventors: **Christopher A. J. Iannello**, Rolling Meadows, IL (US); **Martin J. Nilsen**, Hampshire, IL (US); **Michael B. Grimm**, Evanston, IL (US); **Jon D. Burrow**, Bartlett, IL (US)

(73) Assignee: **Illinois Tool Works Inc.**, Glenview, IL (US)

(**) Term: **14 Years**

(21) Appl. No.: **29/492,376**

(22) Filed: **May 30, 2014**

(51) **LOC (10) Cl.** **02-07**

(52) **U.S. Cl.**
USPC **D11/216**

(58) **Field of Classification Search**
USPC D11/1-2, 200-201, 206-210, 214-218;
24/163 R, 169-171, 173, 177-179, 191,
24/194-195, 197, 200, 614-616, 625, 198
See application file for complete search history.

(56) **References Cited**

U.S. PATENT DOCUMENTS

D536,279 S * 2/2007 Grimm D11/216
D680,900 S * 4/2013 Grimm D11/216

* cited by examiner

Primary Examiner — Ralf Seifert

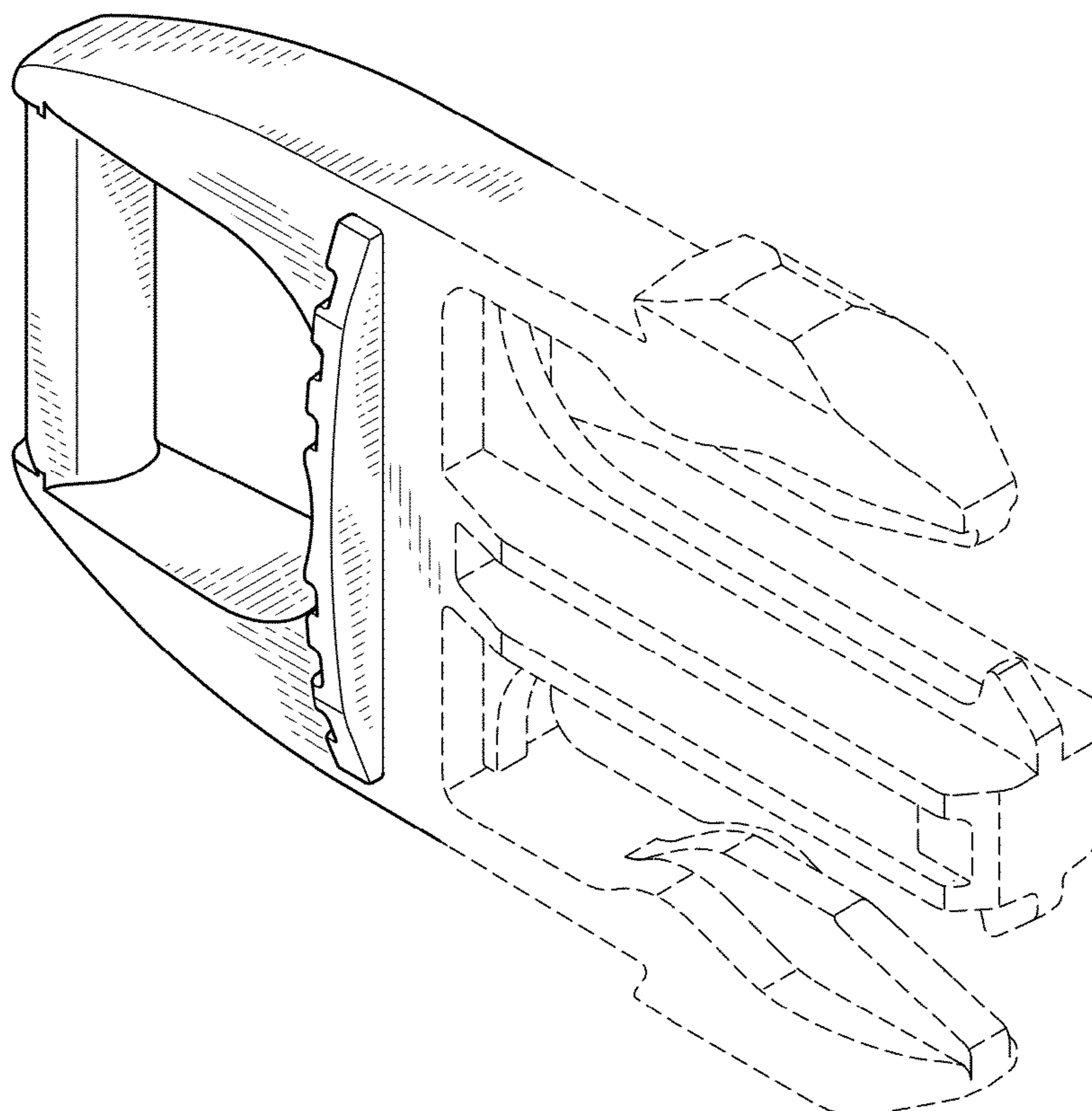
(57) **CLAIM**

The ornamental design for a buckle latch, as shown and described.

DESCRIPTION

FIG. 1 is a perspective view of the buckle latch showing the new design;
FIG. 2 is a top view thereof;
FIG. 3 is a bottom view thereof;
FIG. 4 is a right side view thereof;
FIG. 5 is a left side view thereof;
FIG. 6 is a front view thereof; and,
FIG. 7 is a back view thereof.

1 Claim, 4 Drawing Sheets



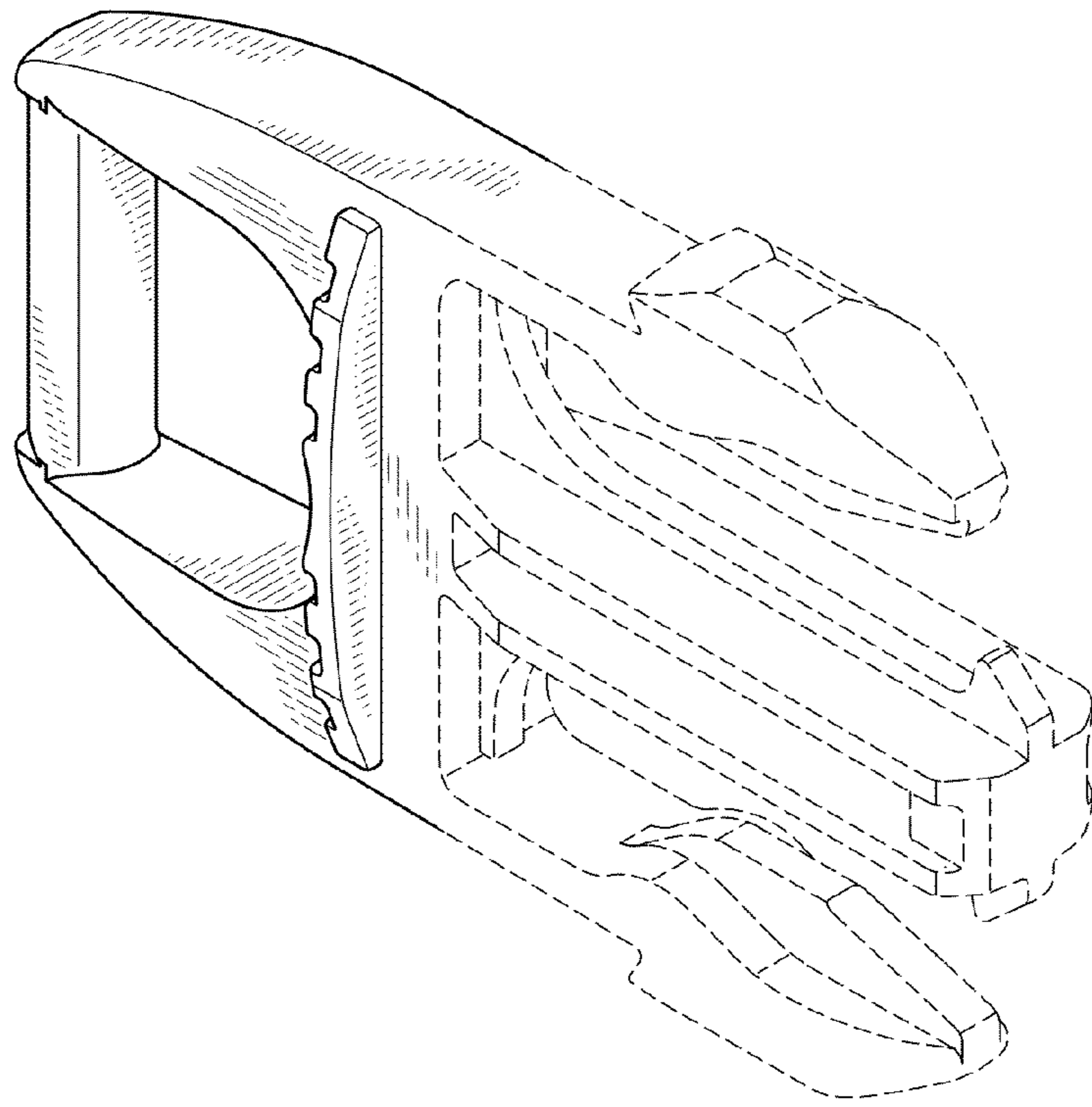


FIG. 1

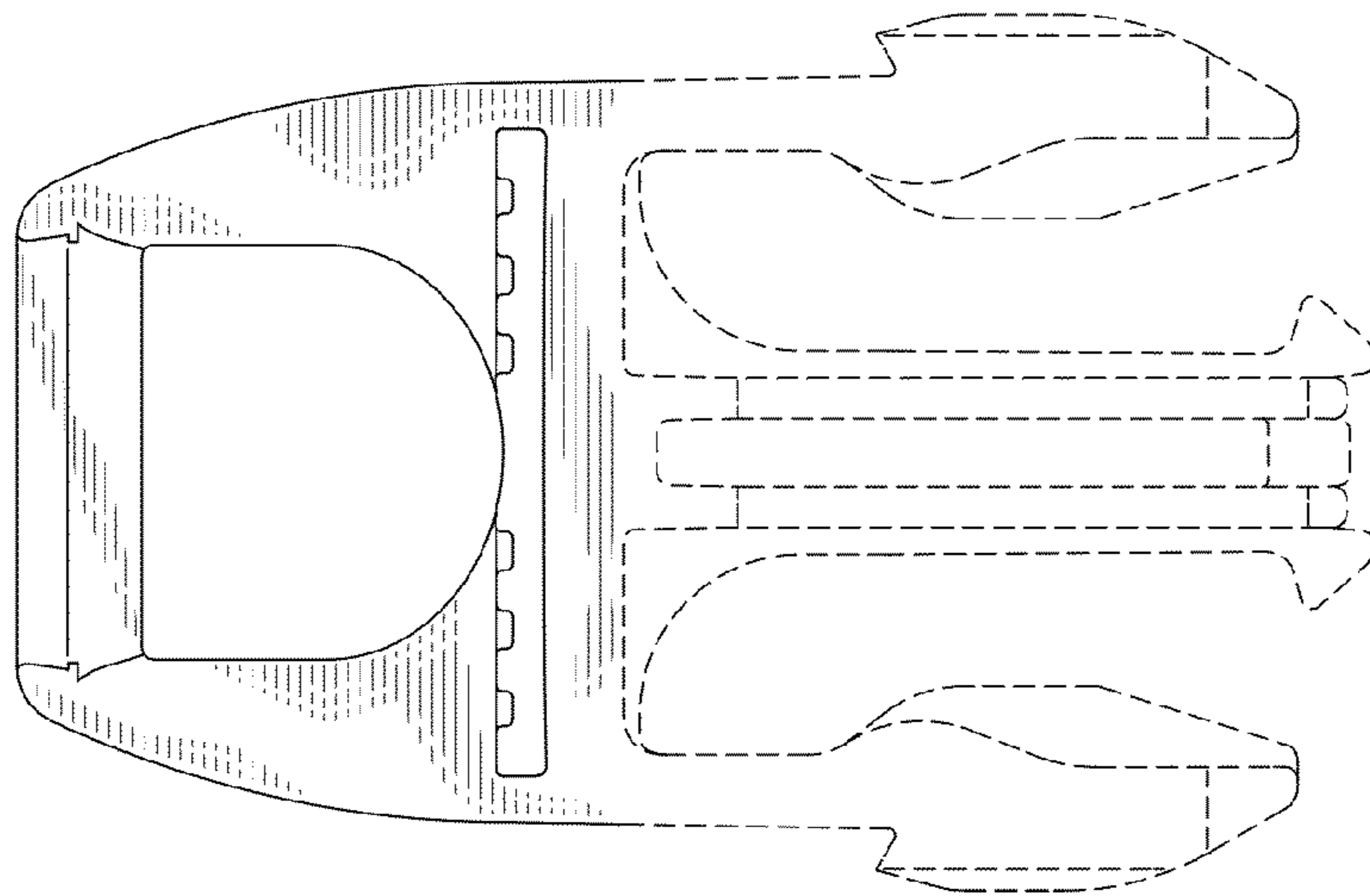


FIG. 2

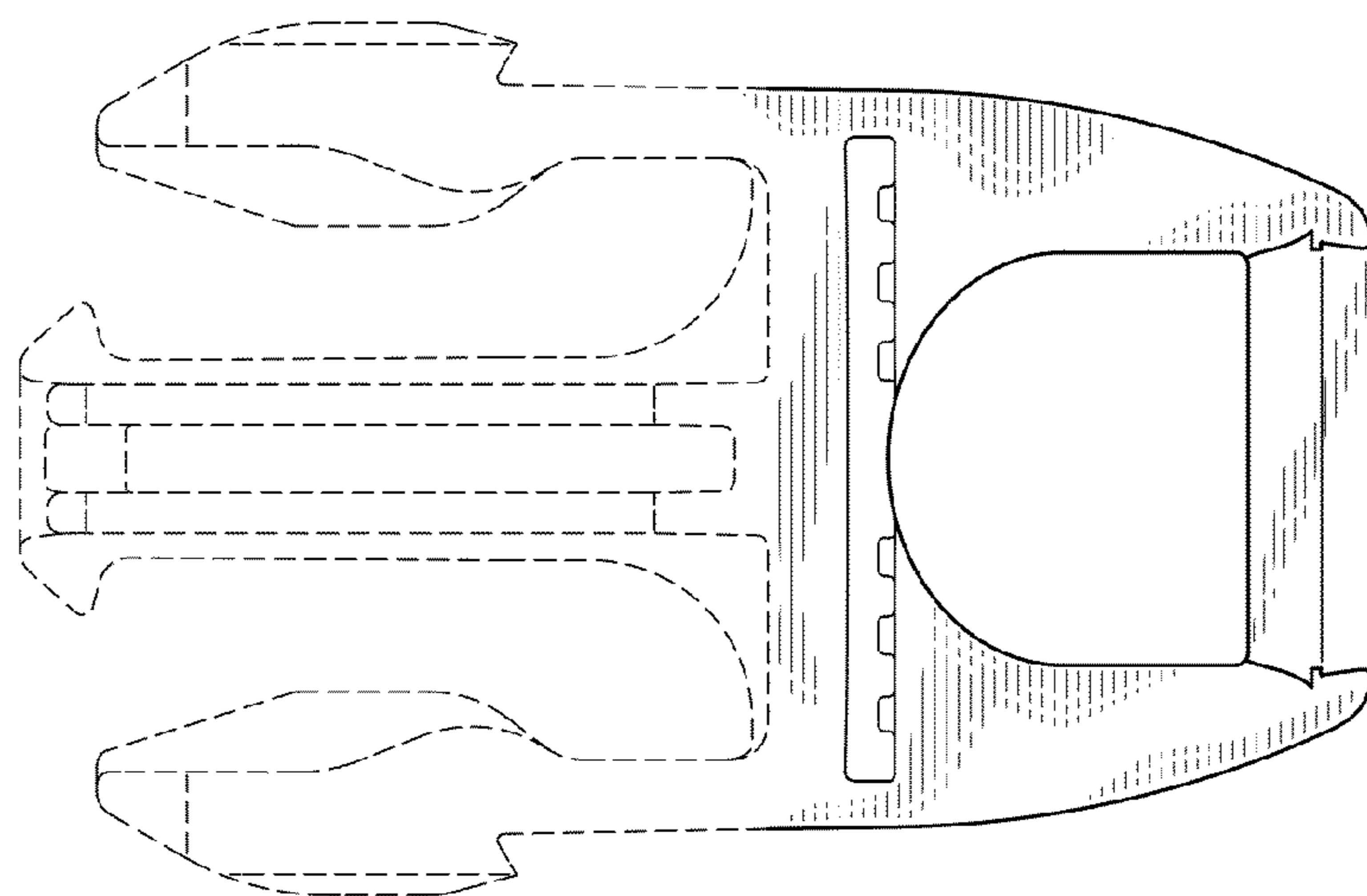


FIG. 3

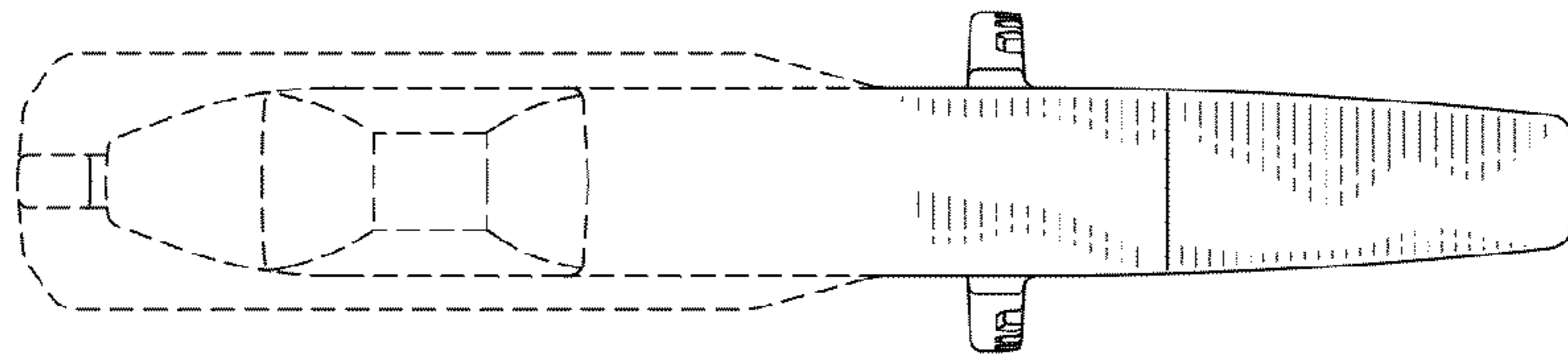


FIG. 4

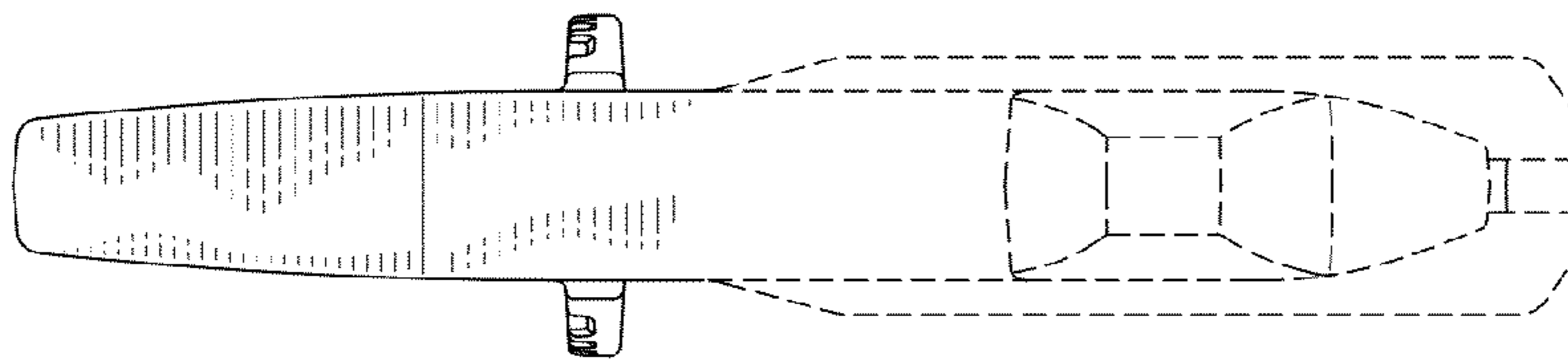


FIG. 5

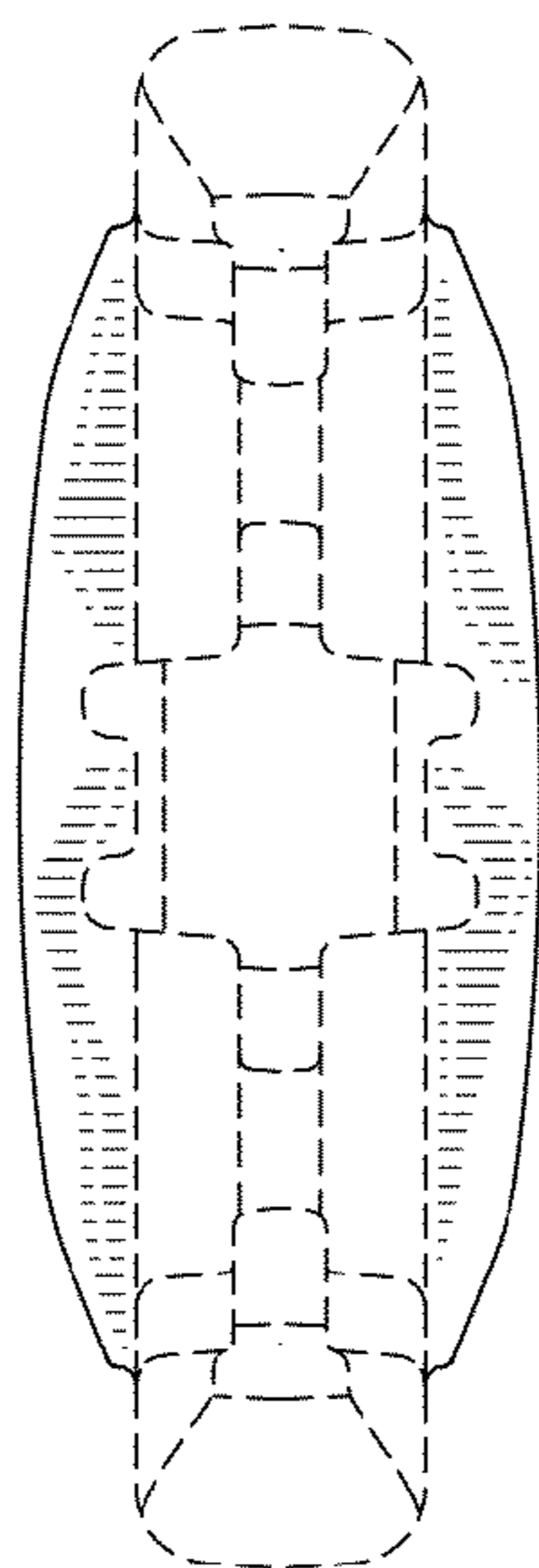


FIG. 6

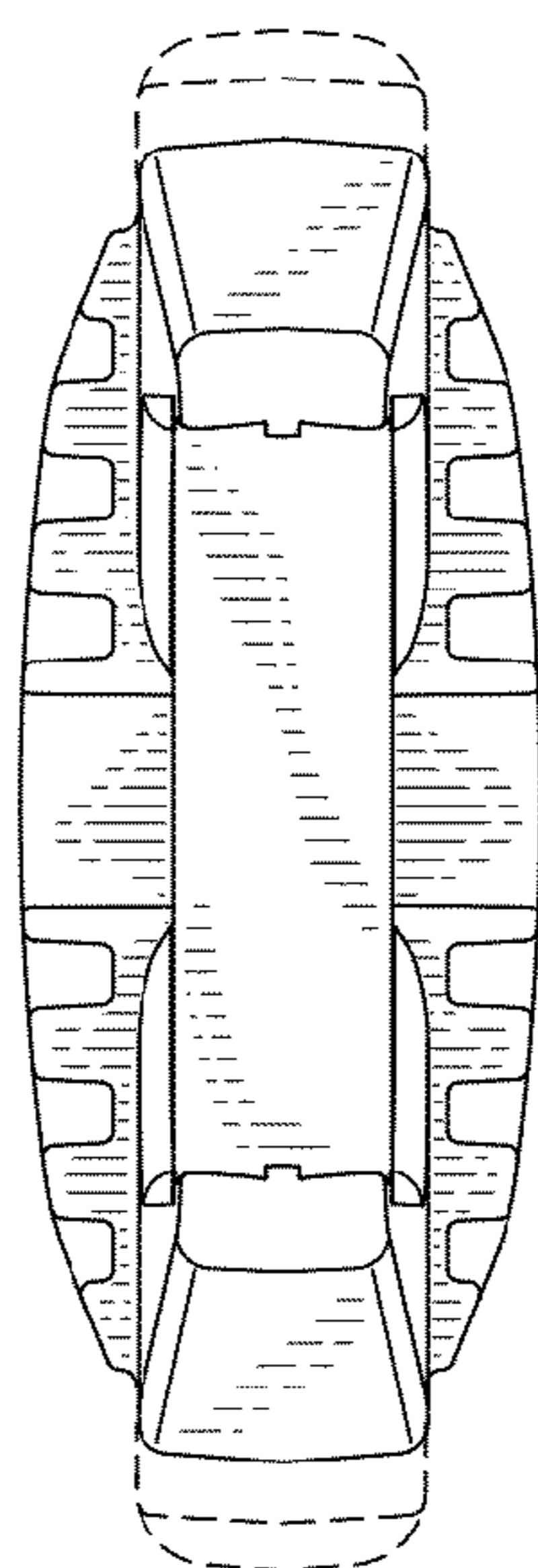


FIG. 7