



US00D716680S

(12) **United States Design Patent**
Hitchcock

(10) **Patent No.:** **US D716,680 S**

(45) **Date of Patent:** **** Nov. 4, 2014**

(54) **BRACELET**

(71) Applicant: **Adi Hitchcock**, New York, NY (US)

(72) Inventor: **Adi Hitchcock**, New York, NY (US)

(**) Term: **14 Years**

(21) Appl. No.: **29/451,504**

(22) Filed: **Apr. 3, 2013**

(51) **LOC (10) Cl.** **11-01**

(52) **U.S. Cl.**
USPC **D11/3; D11/201**

(58) **Field of Classification Search**
CPC A44B 19/382; A44B 19/26; A44B 19/64;
A44B 19/20; A44B 19/24; A41H 37/06;
A41H 37/003; B29L 2005/00
USPC D11/1-41, 43, 44, 66, 80, 86, 87, 201,
D11/221; 63/1.11, 3, 3.1, 3.2, 4, 5.1, 5.2, 7,
63/15, 15.1-15.4, 15.45, 15.5, 15.6, 15.65,
63/15.7; D24/186-188; 24/381, 383

See application file for complete search history.

(56) **References Cited**

U.S. PATENT DOCUMENTS

330,214	A *	11/1885	Egge	63/3
D24,161	S *	4/1895	Fletcher	D11/83
D76,388	S *	9/1928	Granat	D11/38
D76,389	S *	9/1928	Granat	D11/38
D171,083	S *	12/1953	Chernow	D11/15
2,763,124	A *	9/1956	Greene	63/5.2
4,368,562	A *	1/1983	Minami	D11/221

D493,118	S *	7/2004	Neri	D11/13
D553,537	S *	10/2007	Brunet	D11/12
D613,637	S *	4/2010	Grassi Damiani	D11/13
D634,231	S *	3/2011	Donofrio	D11/3
2005/0132541	A1 *	6/2005	Yang	A44B 19/26
2012/0246886	A1 *	10/2012	Matsumoto et al.	24/381
2013/0174388	A1 *	7/2013	Ren	A44B 19/26
2013/0219674	A1 *	8/2013	Yamakita et al.	24/381
2014/0130315	A1 *	5/2014	Keyaki et al.	A44B 19/26
2014/0143987	A1 *	5/2014	Lee	A44B 19/24
2014/0150216	A1 *	6/2014	Fukuyama et al.	A44B 19/26

* cited by examiner

Primary Examiner — Cathron Brooks

Assistant Examiner — Llorellys Martinez-Rivera

(74) *Attorney, Agent, or Firm* — Gottlieb, Rackman & Reisman, PC

(57) **CLAIM**

The ornamental design for a bracelet, as shown and described.

DESCRIPTION

FIG. 1 is a front elevational view of a bracelet showing my new design;

FIG. 2 is a side elevational view thereof;

FIG. 3 is a top plan view thereof;

FIG. 4 is a bottom plan view thereof; and,

FIG. 5 is a rear elevational view thereof.

The broken line portions of FIGS. 1, 2 and 5 are included to show environmental subject matter only and form no part of the claimed design.

1 Claim, 2 Drawing Sheets

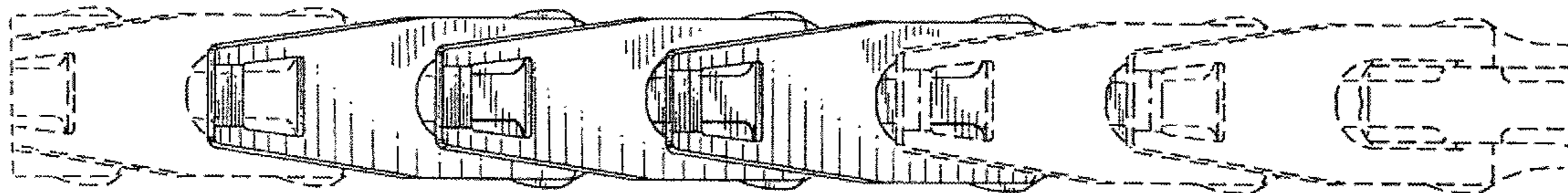


FIG. 1

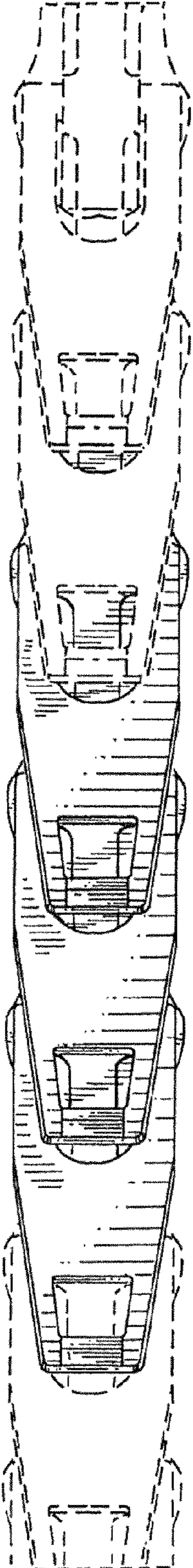


FIG. 2

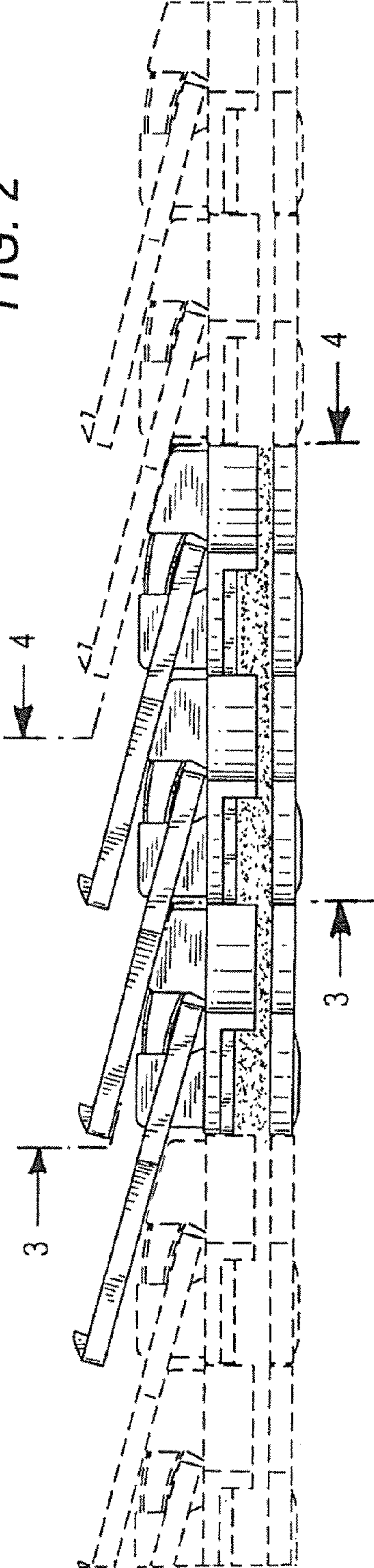


FIG. 3

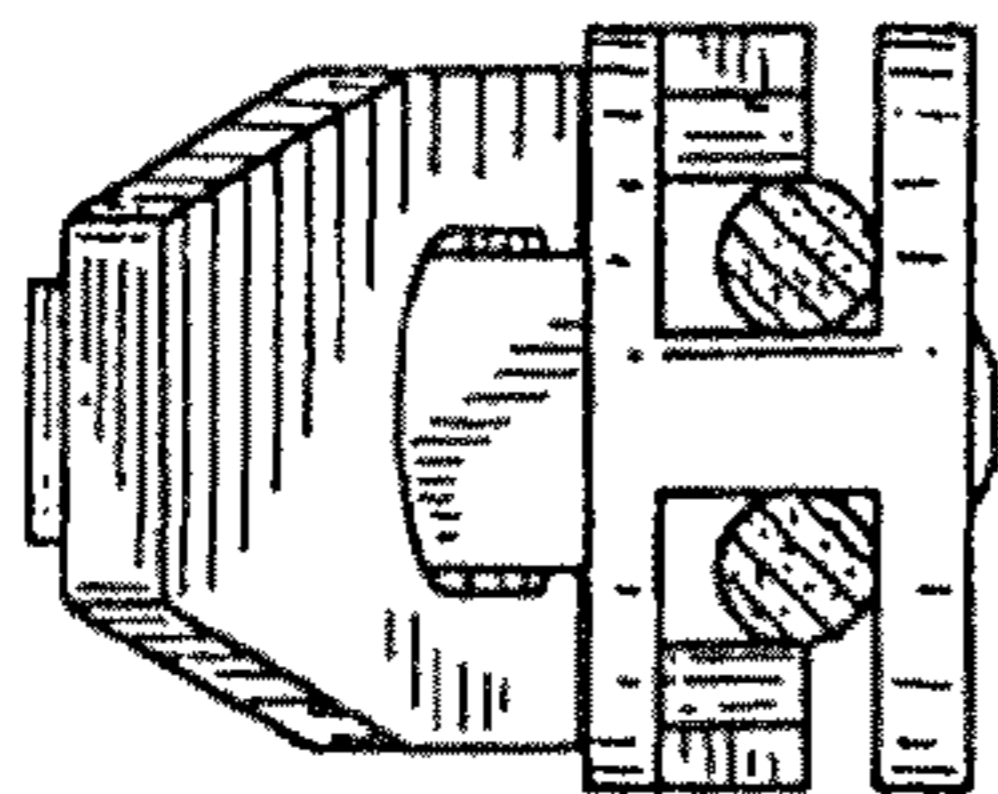


FIG. 4

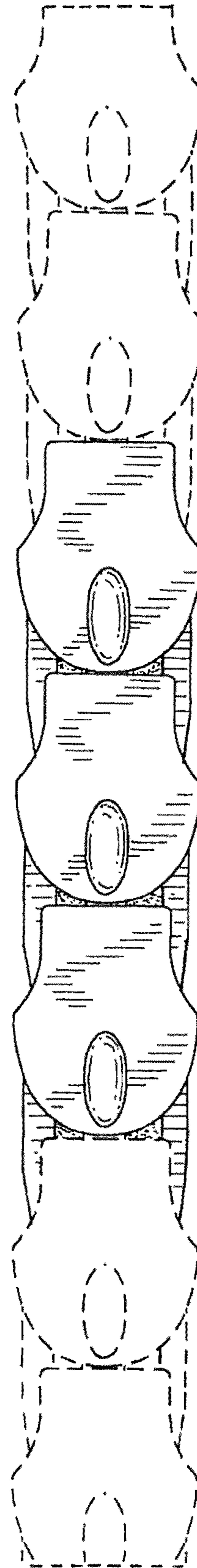
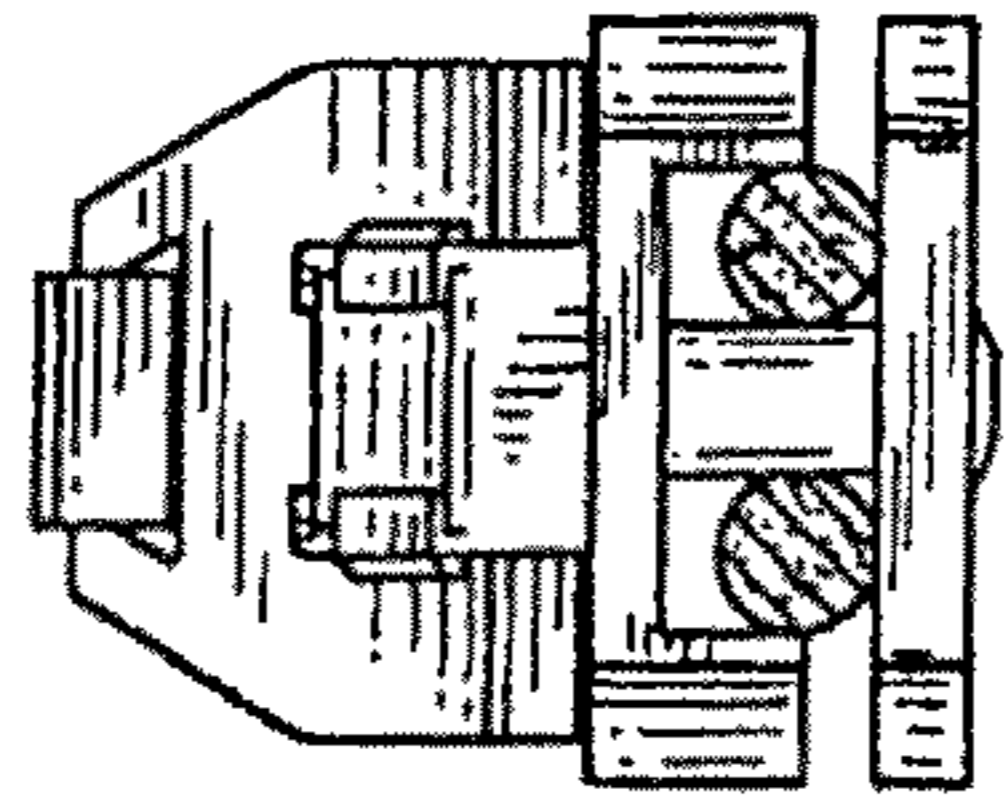


FIG. 5