



US00D716679S

(12) **United States Design Patent**  
**Williams et al.**

(10) **Patent No.:** **US D716,679 S**

(45) **Date of Patent:** **\*\* Nov. 4, 2014**

(54) **WARNING SIGN**

(71) Applicants: **Larry Eugene Williams**, Levelland, TX (US); **Nikey Joe Williams**, Levelland, TX (US); **Benny Ray Sherrod**, Midland, TX (US); **Roger Dale Hayes**, Amarillo, TX (US)

(72) Inventors: **Larry Eugene Williams**, Levelland, TX (US); **Nikey Joe Williams**, Levelland, TX (US); **Benny Ray Sherrod**, Midland, TX (US); **Roger Dale Hayes**, Amarillo, TX (US)

(73) Assignee: **Wind Willie, LLC**, Levelland, TX (US)

(\*\*) Term: **14 Years**

(21) Appl. No.: **29/476,089**

(22) Filed: **Dec. 10, 2013**

**Related U.S. Application Data**

(63) Continuation-in-part of application No. 29/373,484, filed on Apr. 13, 2011, now abandoned.

(51) **LOC (10) Cl.** ..... **10-05**

(52) **U.S. Cl.**  
USPC ..... **D10/109.1**

(58) **Field of Classification Search**  
USPC ..... D21/307-308, 334-368, 376-397;  
273/236-287, 288-291

See application file for complete search history.

(56) **References Cited**

U.S. PATENT DOCUMENTS

1,374,644	A *	4/1921	Folkush	.....	446/420
1,693,140	A *	11/1928	Dietze, Jr.	.....	446/420
D304,039	S *	10/1989	Henderson et al.	.....	D20/10
D332,232	S *	1/1993	Johnson	.....	D12/223
D399,269	S *	10/1998	Bishop, Jr.	.....	D21/405
2012/0188074	A1 *	7/2012	Williams et al.	.....	340/539.13

\* cited by examiner

*Primary Examiner* — George D Kirschbaum

(74) *Attorney, Agent, or Firm* — Shannon L Warren

(57) **CLAIM**

The ornamental design for a warning sign, as shown and described.

**DESCRIPTION**

FIG. 1 is a perspective view of a warning sign showing our new design;

FIG. 2 is a second perspective view disclosing the opposite of that seen in FIG. 1;

FIG. 3 illustrates an elevated second side view thereof;

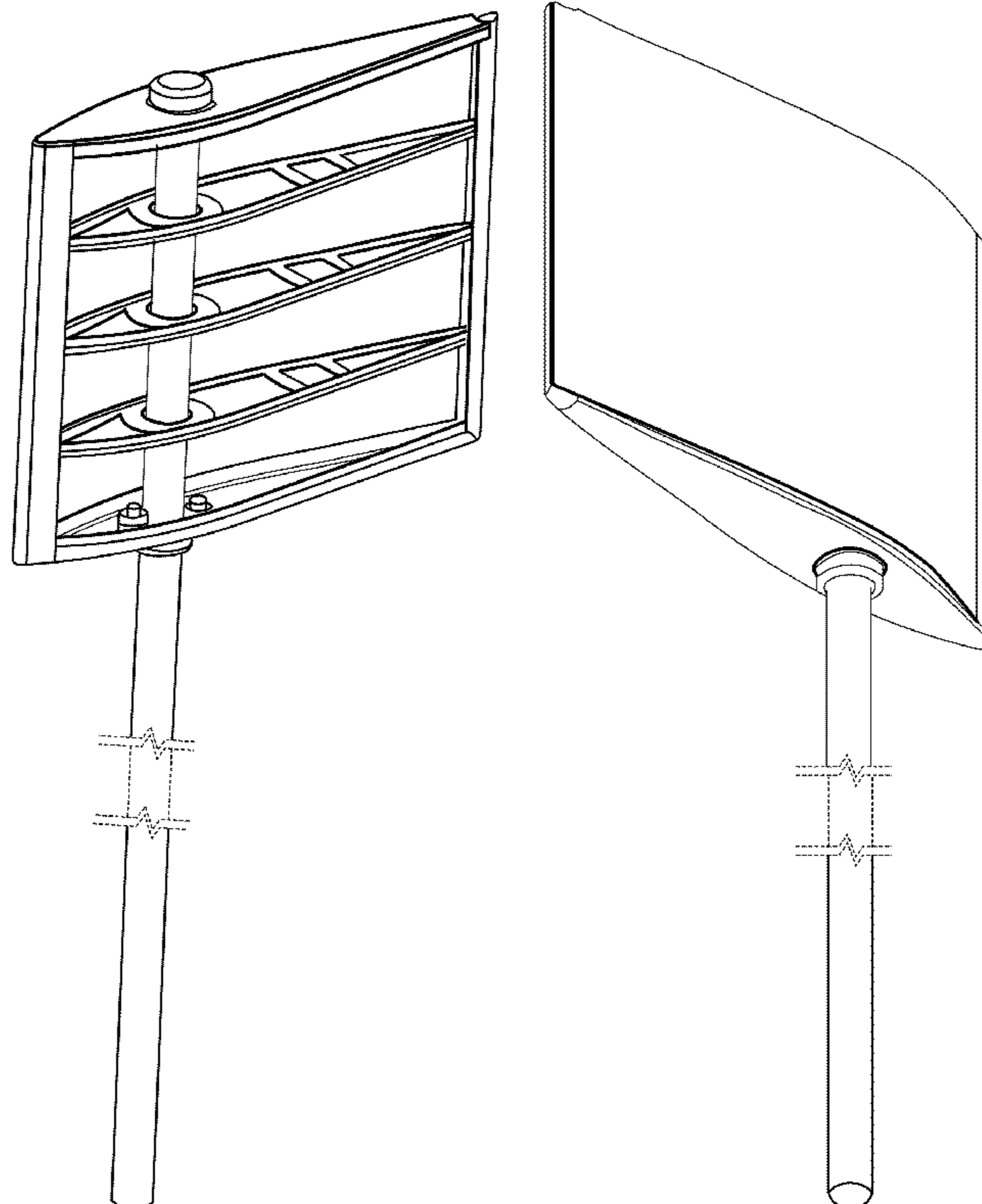
FIG. 4 illustrates an elevated front view thereof;

FIG. 5 illustrates an elevated first side view thereof; and,

FIG. 6 is an elevated second side view thereof.

The broken line showing of indicia and symbols is included for the purpose of illustrating portions of the "article" and forms no part of the claimed design.

**1 Claim, 5 Drawing Sheets**



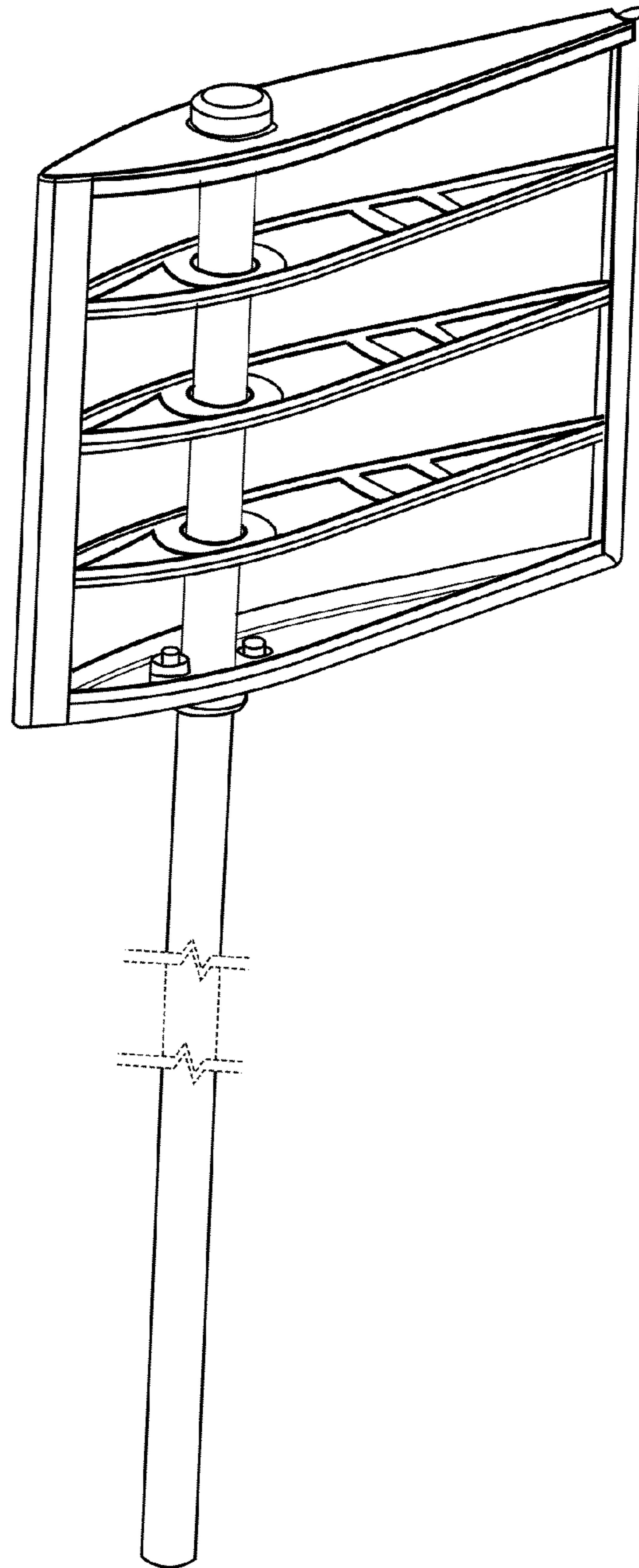


Fig. 1

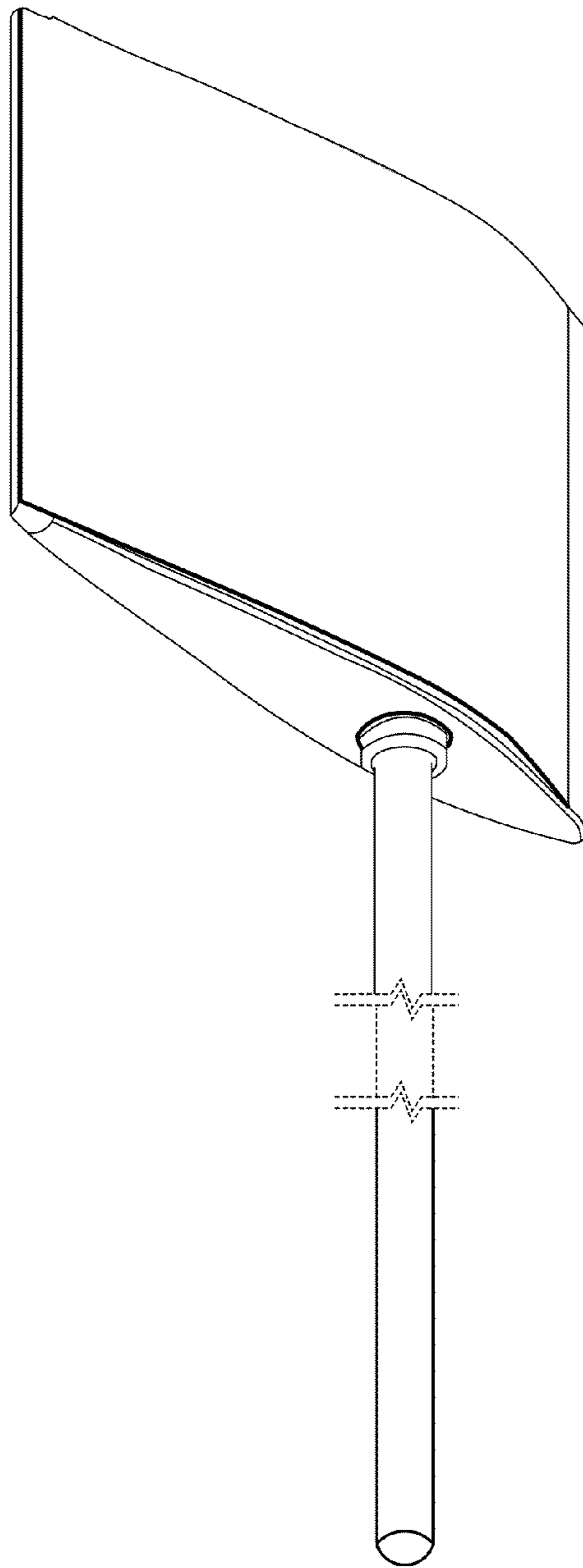


Fig. 2

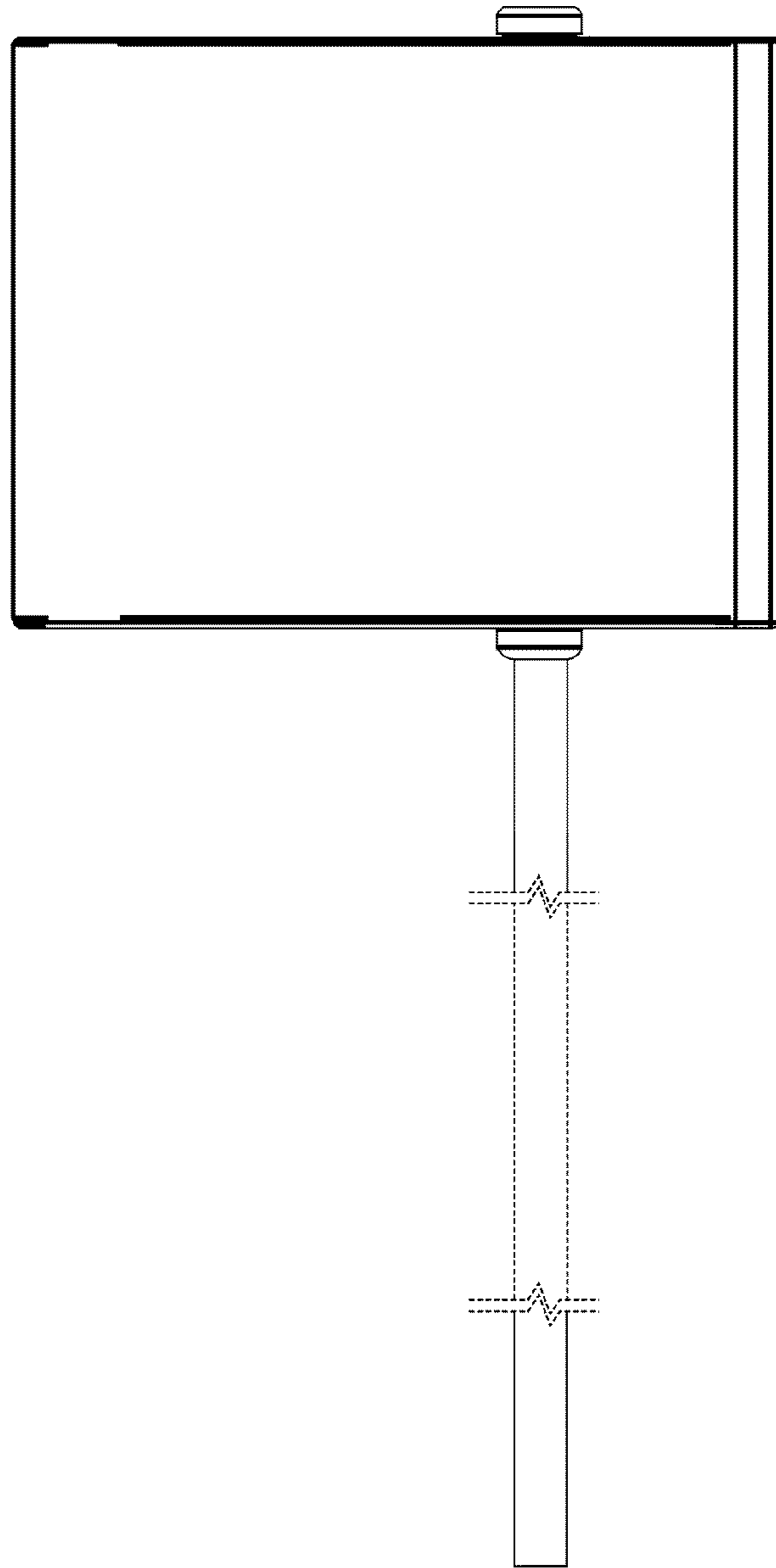


Fig. 3

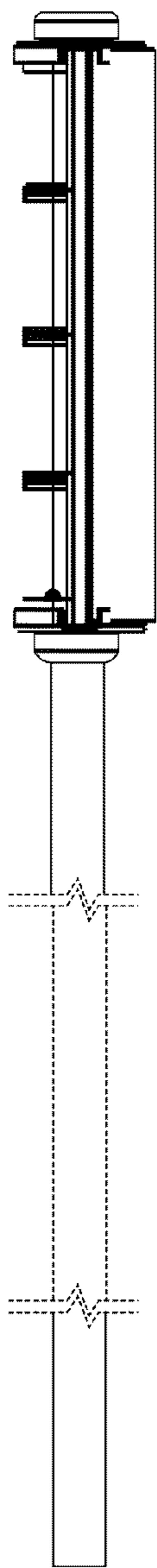


Fig. 4

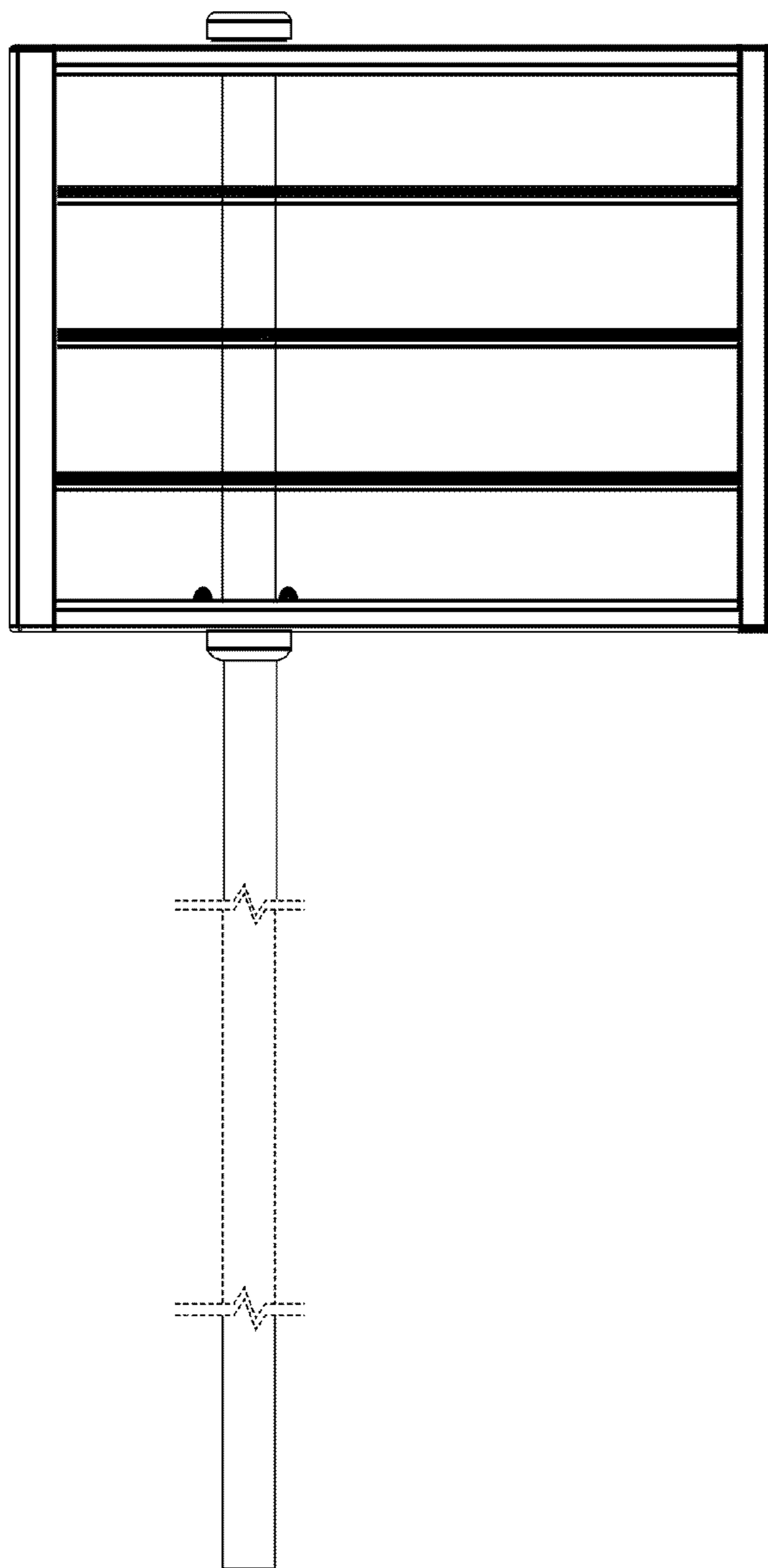


Fig. 5

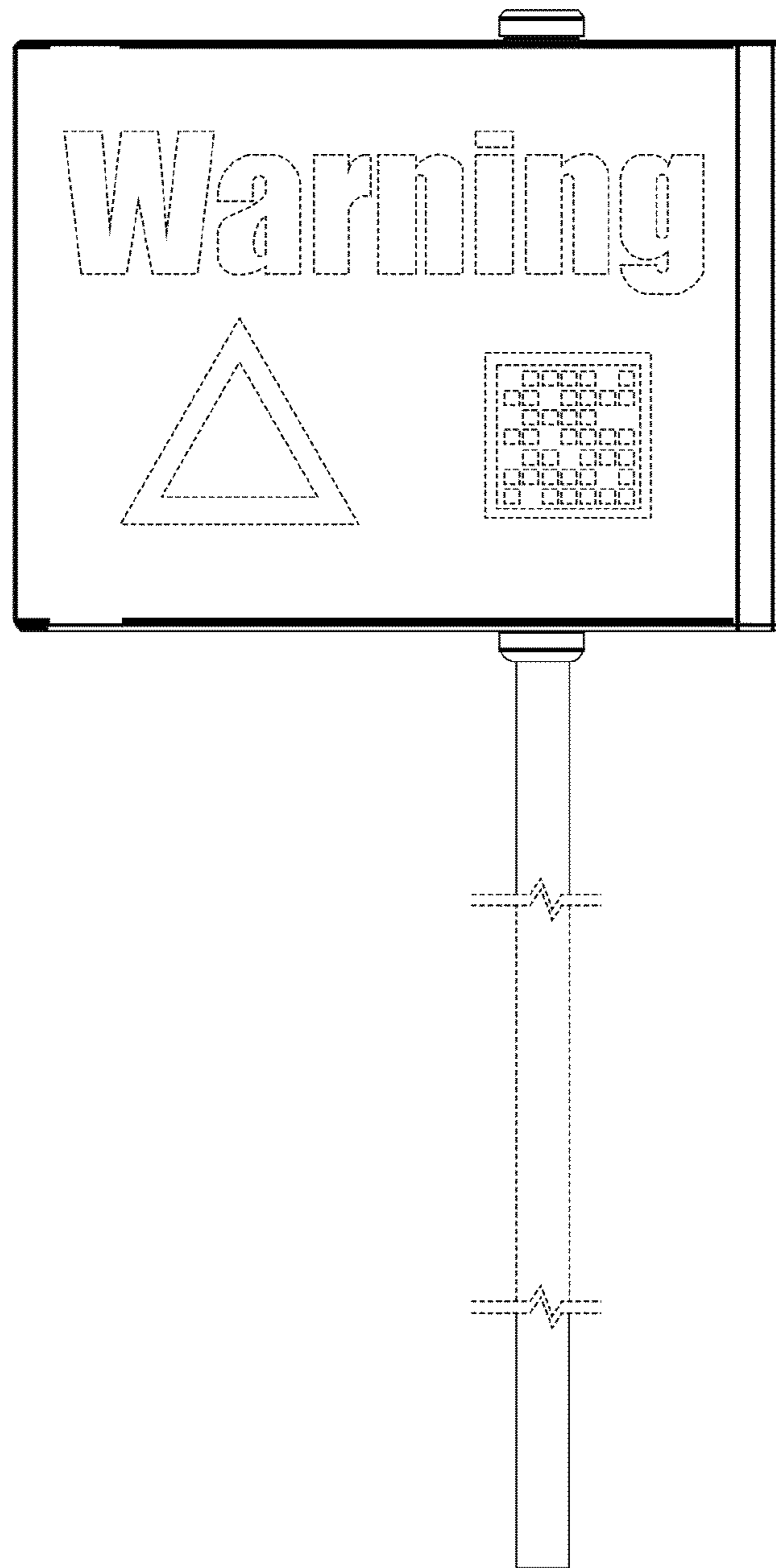


Fig. 6