



US00D716677S

(12) **United States Design Patent**
Messier et al.

(10) **Patent No.:** **US D716,677 S**
(45) **Date of Patent:** **** Nov. 4, 2014**

(54) **WEARABLE LOCATOR**

73/510, 513, 527, 530; 324/522; 345/165,
345/156, 905; 342/27, 28, 52-58, 419, 450,
342/457, 458; 250/DIG. 1

(71) Applicant: **iLOC Technologies Inc.**, Pointe-Claire
(CA)

See application file for complete search history.

(72) Inventors: **Yves Messier**, Pierrefonds (CA); **Tony Fama**, Kirkland (CA); **Brian Miller**, Kirkland, CA (US); **Alain Martel**, Montreal (CA); **Daniel Tassé**, Montreal (CA)

(56) **References Cited**

U.S. PATENT DOCUMENTS

D315,111 S *	3/1991	Rogalski	D10/97
D323,787 S *	2/1992	Moorman	D10/97
D331,020 S *	11/1992	Ishii et al.	D10/31
D400,112 S *	10/1998	Rider	D10/70
D455,093 S *	4/2002	Fitzgerald	D10/98
D518,742 S *	4/2006	Yan	D10/32
D536,265 S *	2/2007	Reynoso	D10/31
D538,687 S *	3/2007	Komulainen	D10/70
D549,602 S *	8/2007	Oberrieder et al.	D10/65
D550,105 S *	9/2007	Oberrieder et al.	D10/65
D569,282 S *	5/2008	Daniel	D10/65
D586,674 S *	2/2009	Solarewicz	D10/70
D602,386 S *	10/2009	Ueda et al.	D10/98

(Continued)

Primary Examiner — Antoine D Davis

(74) *Attorney, Agent, or Firm* — Anglehart et al.

(73) Assignee: **iLOC Technologies Inc.**, Pointe-Claire,
Quebec (CA)

(**) Term: **14 Years**

(21) Appl. No.: **29/458,252**

(22) Filed: **Jun. 18, 2013**

(51) **LOC (10) Cl.** **10-04**

(52) **U.S. Cl.**
USPC **D10/98; D10/70**

(58) **Field of Classification Search**
CPC A63B 24/00; A63B 2220/14; A63B 71/06;
A63B 26/00; A63B 24/0075; A63B
2071/0663; Y10S 482/909; Y10S 482/901;
A41D 1/002; A44C 5/0015; A44C 5/102;
A44C 5/14; A44C 5/02; A61B 19/44; A61B
2019/446

USPC D10/65, 70, 78, 97, 98; 2/127, 170;
40/633, 665; 59/80; 63/15.7;
340/407.1, 665, 323 R; 368/41;
434/247, 258; 482/1, 2, 4, 8, 9, 44,
482/148, 901, 74, 909; 600/485, 500, 503,
600/437, 443, 453, 459, 465, 479, 502, 595,
600/481, 483; 702/178, 155, 160, 176, 78,
702/79, 82, 91-95, 104, 116, 141, 150, 151,
702/154, 127, 131, 182, 183, 189; 235/105;
377/5, 24.2, 26; 73/514.33, 514.34,

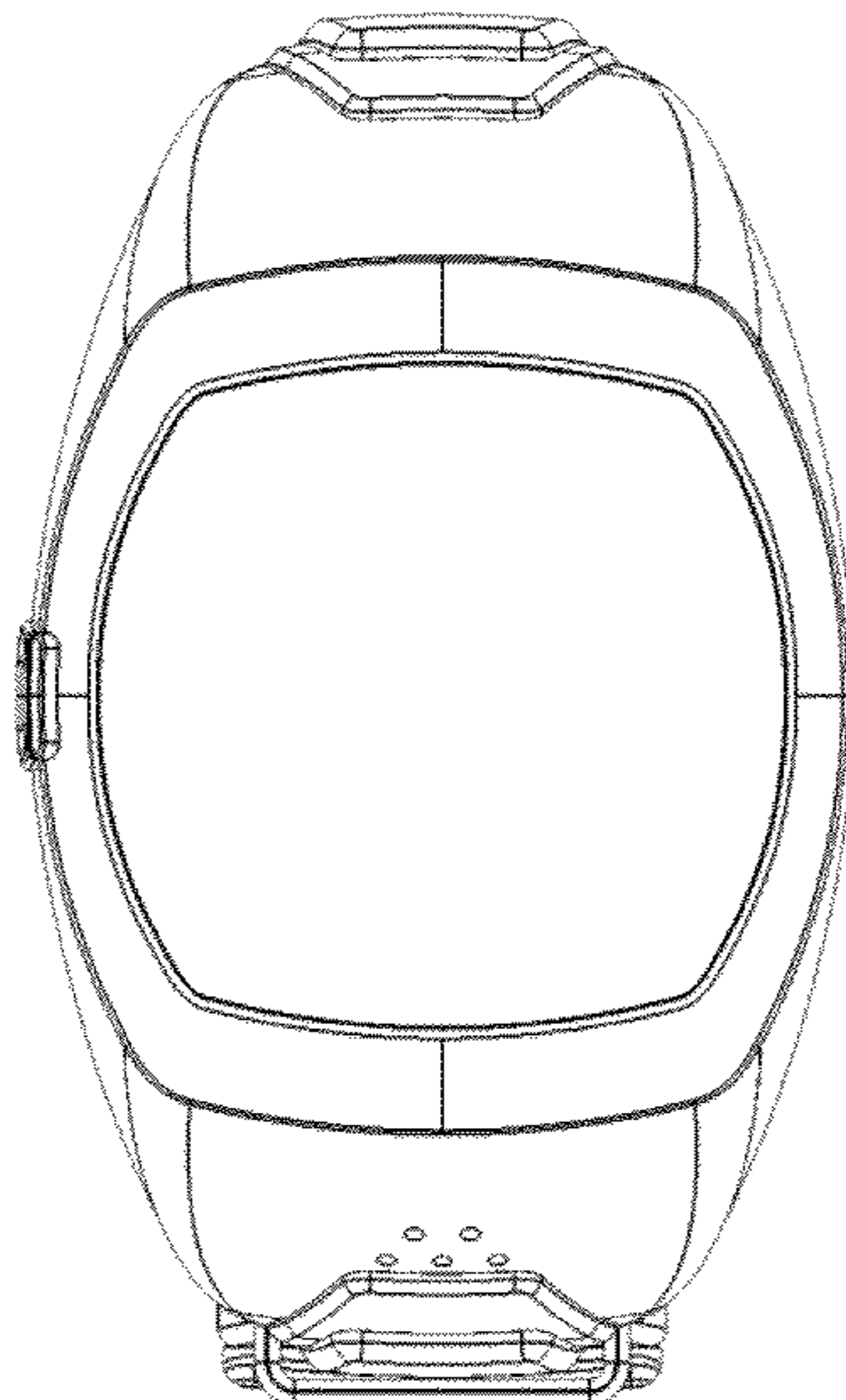
(57) **CLAIM**

The ornamental design for a wearable locator, as shown and described.

DESCRIPTION

FIG. 1 is a top plan view of display portion of the wearable locator;
FIG. 2 is a bottom plan view of display portion of the wearable locator;
FIG. 3 is a left side plan view of the wearable locator;
FIG. 4 is a right side plan view of the wearable locator;
FIG. 5 is a back side perspective view of the wearable locator;
and,
FIG. 6 is a front side plan view of the wearable locator.

1 Claim, 6 Drawing Sheets



(56)

References Cited

U.S. PATENT DOCUMENTS

D610,476 S * 2/2010 Daniel D10/70
D637,506 S * 5/2011 Toyoshima et al. D10/70
D654,814 S * 2/2012 Kumano et al. D10/32

D654,815 S * 2/2012 Kumano et al. D10/32
D670,583 S * 11/2012 Shaanan D10/70
D672,667 S * 12/2012 Mix D10/65
D693,251 S * 11/2013 Anderssen et al. D10/65

* cited by examiner

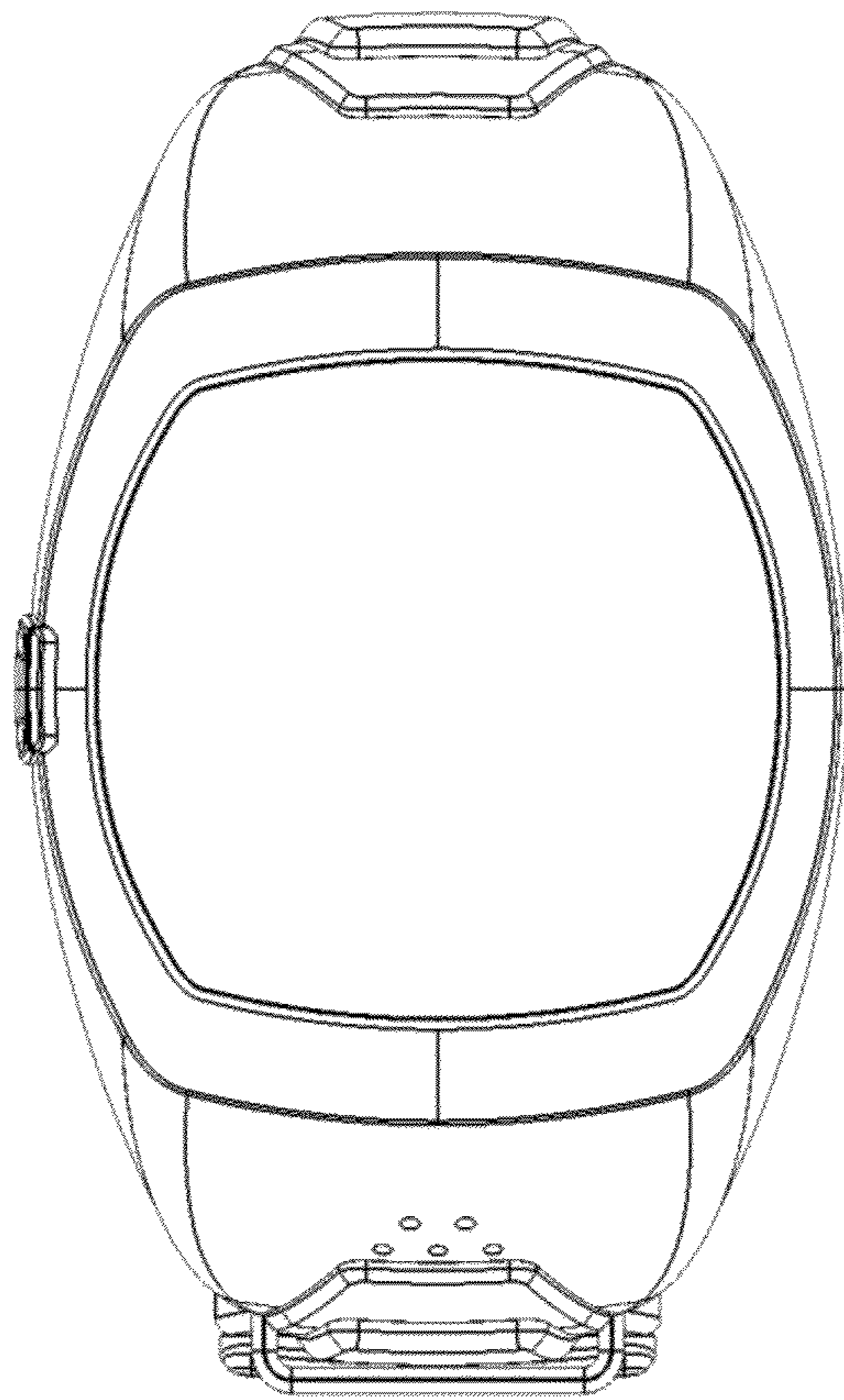


Figure 1

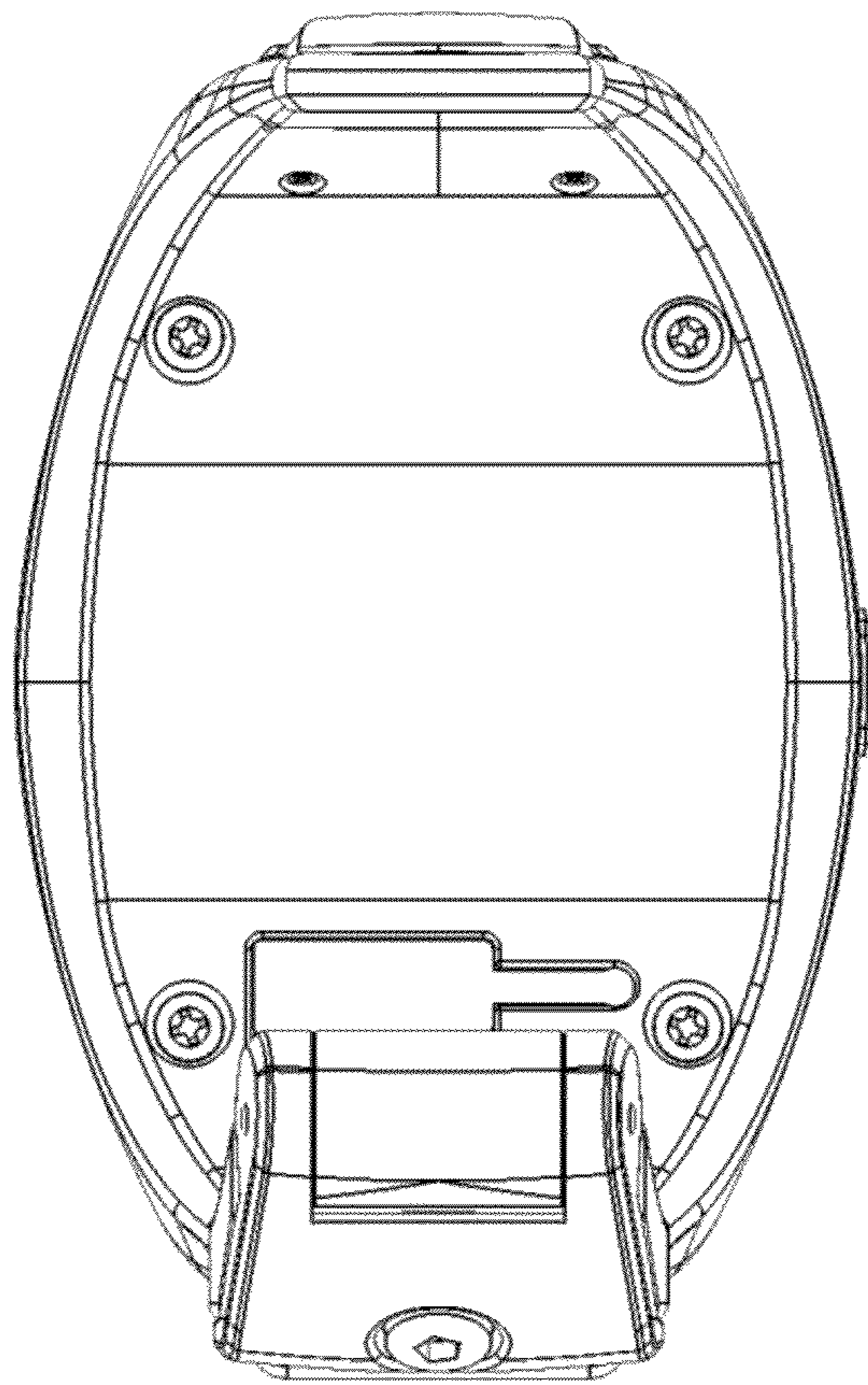


Figure 2

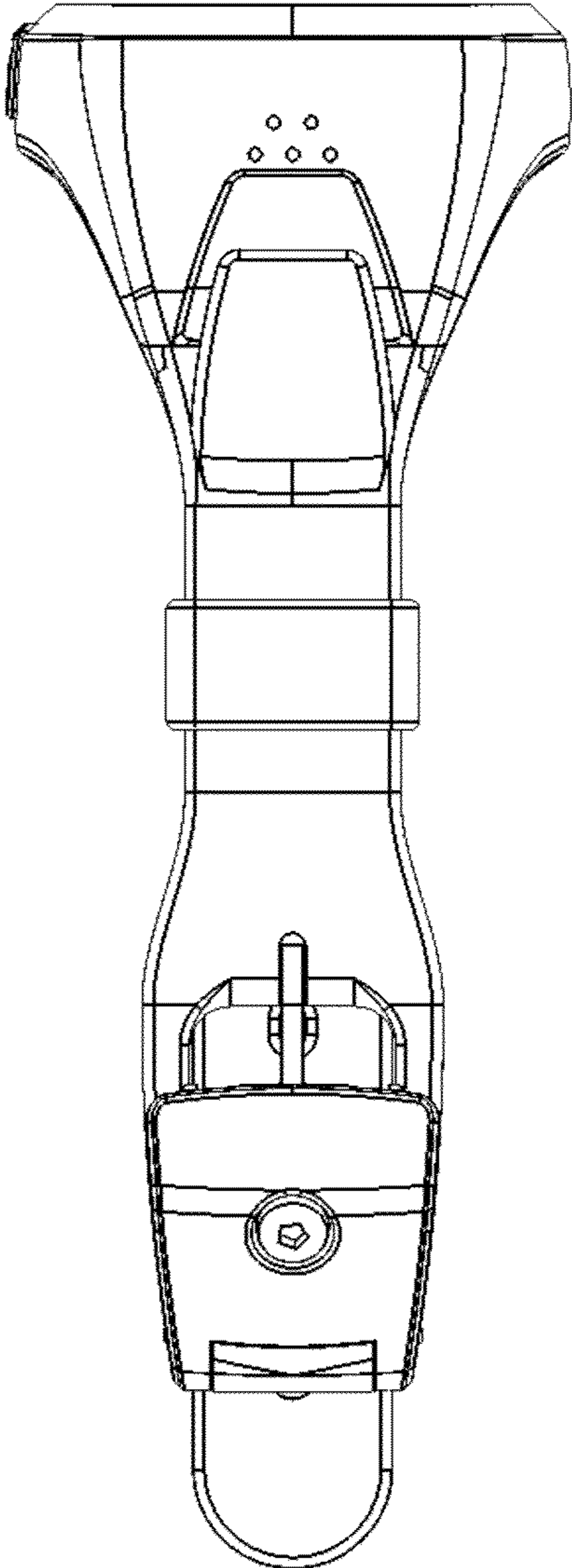


Figure 3

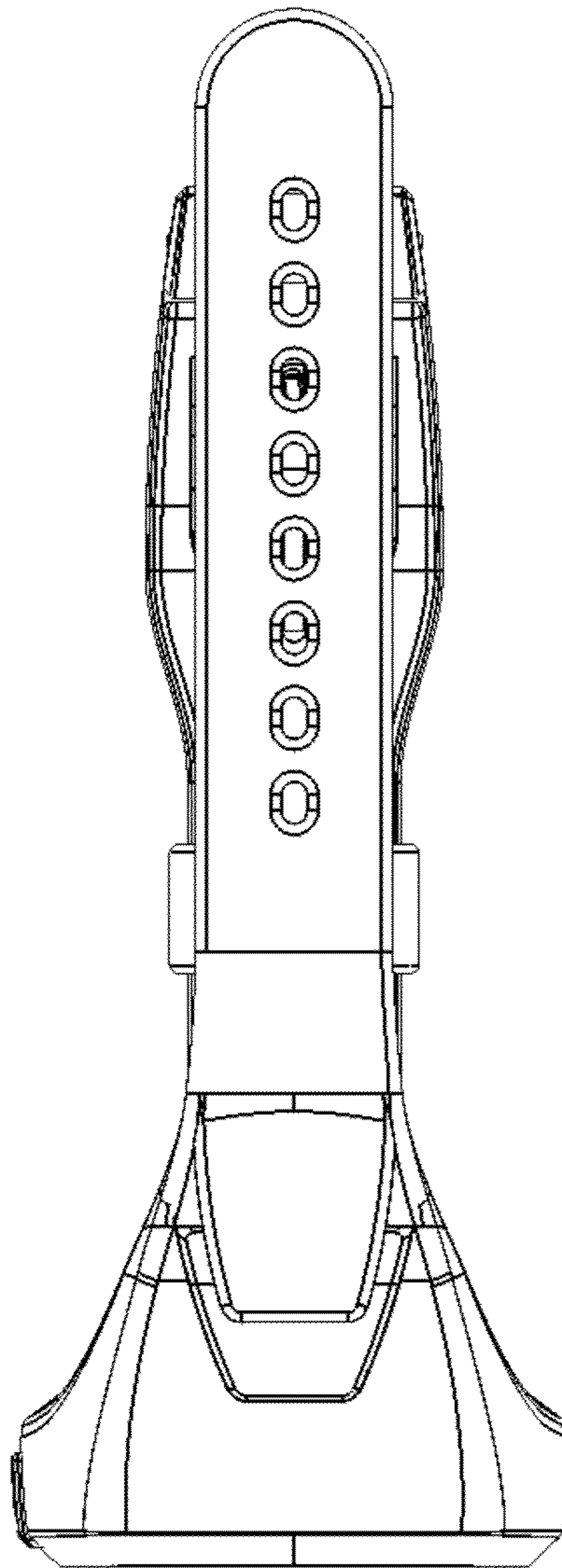


Figure 4

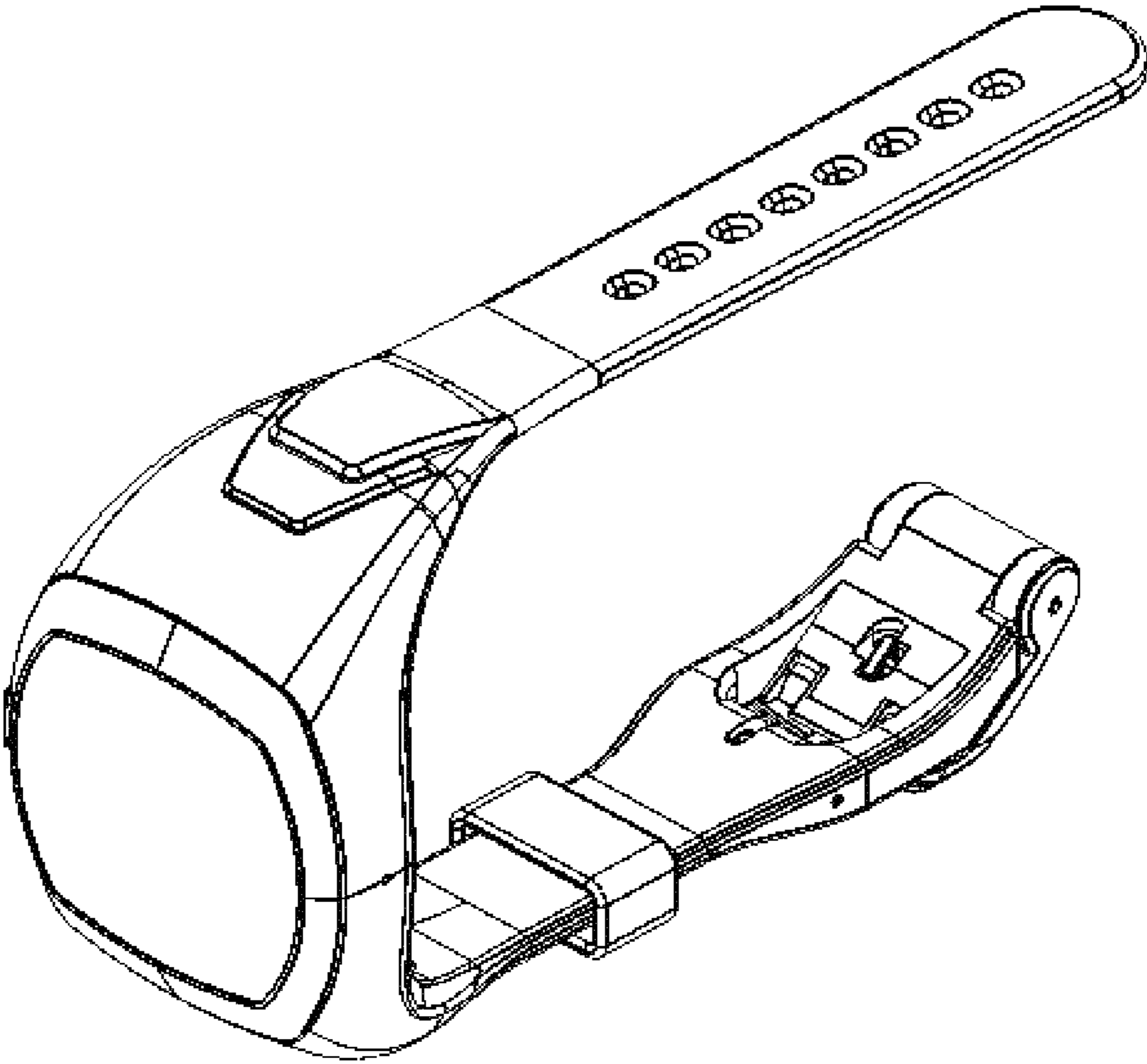


Figure 5

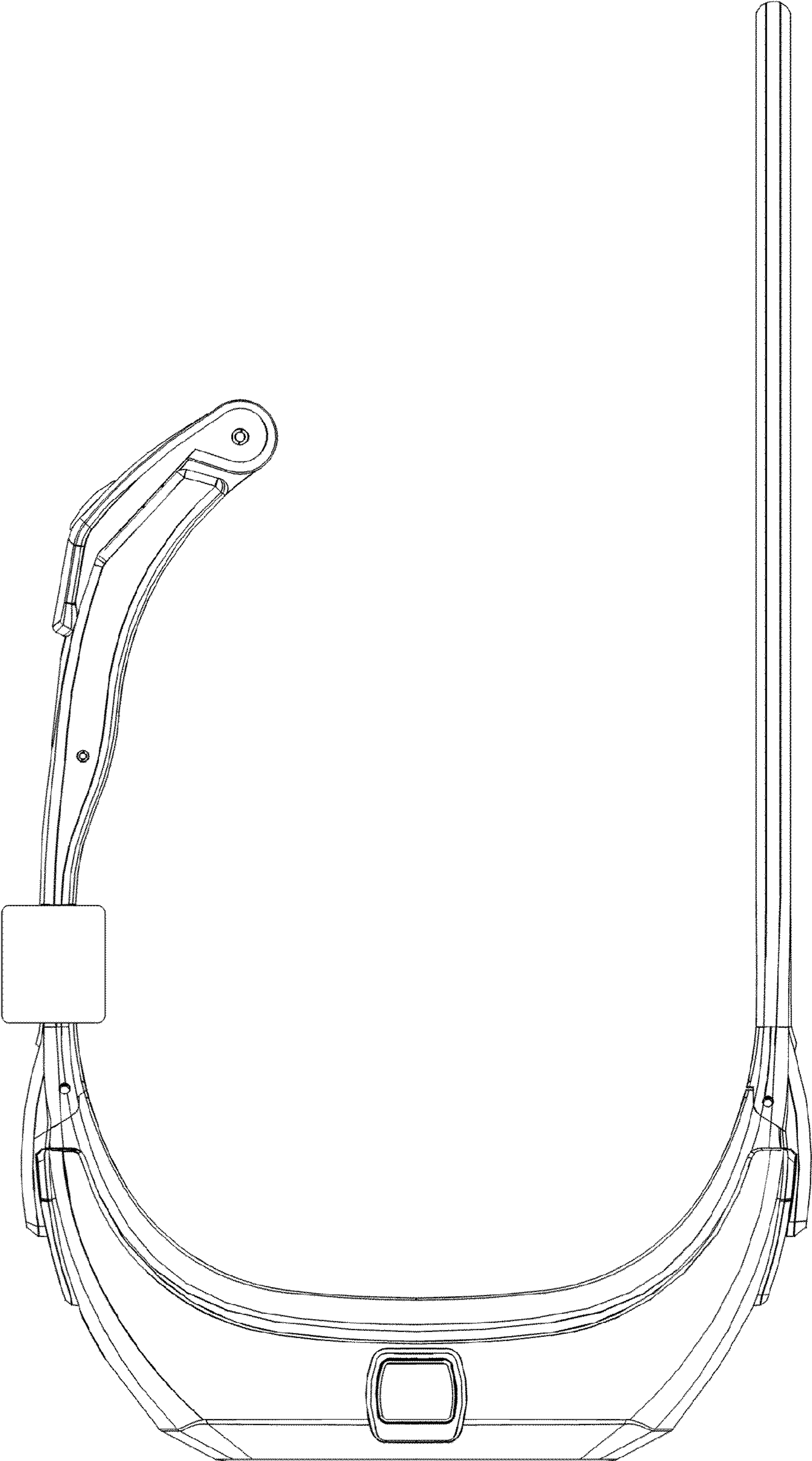


Figure 6