



US00D716676S

(12) **United States Design Patent**
Tang

(10) **Patent No.:** **US D716,676 S**

(45) **Date of Patent:** **** Nov. 4, 2014**

(54) **TAPE MEASURE**

(71) Applicant: **PROTV Development Inc.**, Taipei (TW)

(72) Inventor: **Jack Tang**, New Taipei (TW)

(73) Assignee: **Protv Developments Inc.**, Taipei (TW)

(**) Term: **14 Years**

(21) Appl. No.: **29/459,848**

(22) Filed: **Jul. 3, 2013**

(51) **LOC (10) Cl.** **10-04**

(52) **U.S. Cl.**
USPC **D10/72**

(58) **Field of Classification Search**
CPC G07B 3/10; G01B 3/1082; G01B 3/1056;
G01B 3/563; G01B 3/566; G01B 3/1071;
G01B 2003/1089; G01B 2003/1092; G01B
2003/1048; G01B 2003/1079; G01B
2003/1041; G01B 2003/1084
USPC D10/72; 33/755-771; 242/285, 291,
242/379, 379.1, 379.2, 381, 381.1-381.6,
242/405

See application file for complete search history.

(56) **References Cited**

U.S. PATENT DOCUMENTS

D653,974 S * 2/2012 Capra D10/72
D668,565 S * 10/2012 Huang D10/72

* cited by examiner

Primary Examiner — Antoine D Davis

(74) *Attorney, Agent, or Firm* — Muncy, Geissler, Olds & Lowe, P.C.

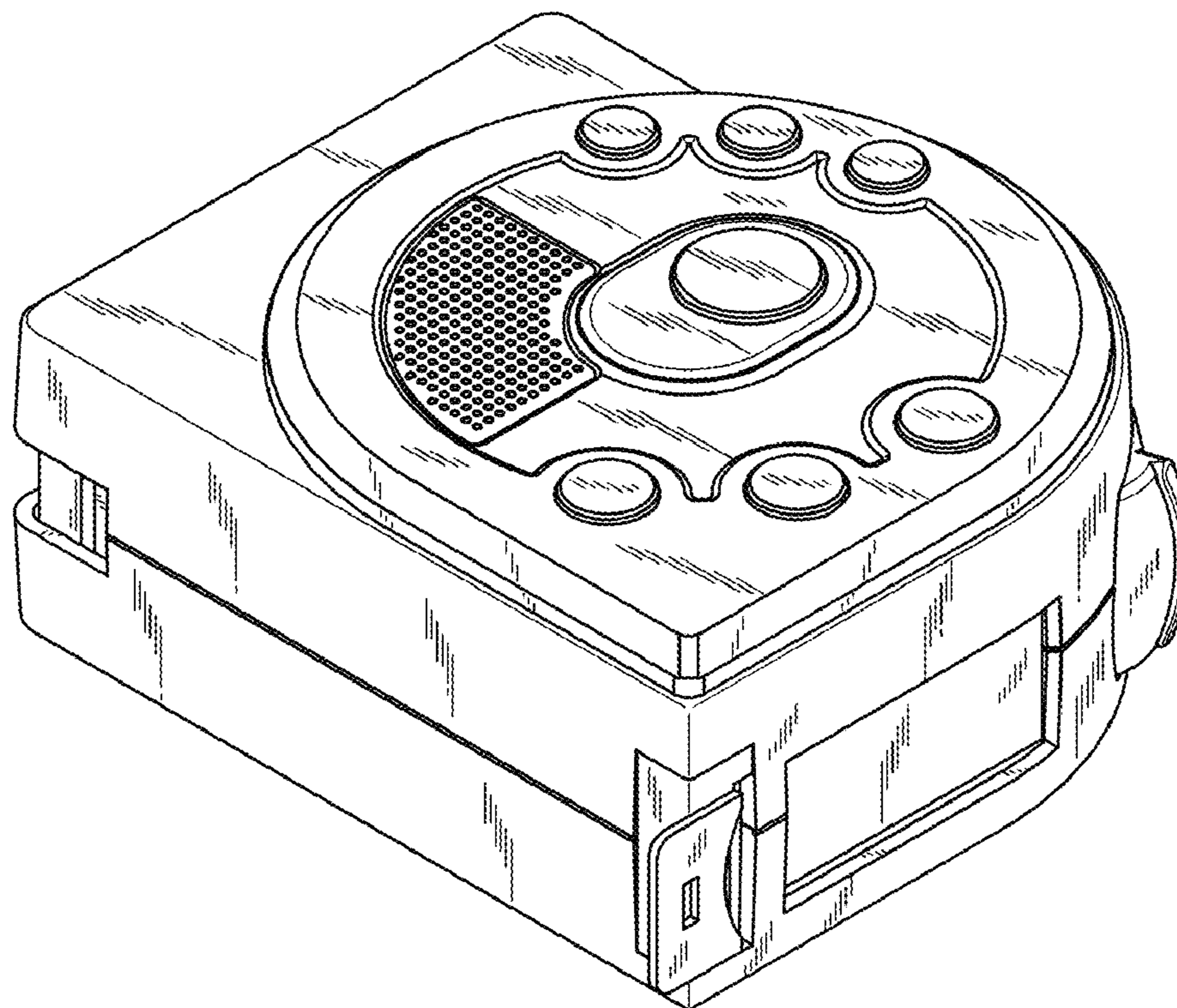
(57) **CLAIM**

The ornamental design for a tape measure, as shown and described.

DESCRIPTION

FIG. 1 shows a perspective view of the present design.
FIG. 2 shows a front view of the present design.
FIG. 3 shows a rear view of the present design.
FIG. 4 shows a left side view of the present design.
FIG. 5 shows a right side view of the present design.
FIG. 6 shows a top view of the present design; and,
FIG. 7 shows a bottom view of the present design.

1 Claim, 4 Drawing Sheets



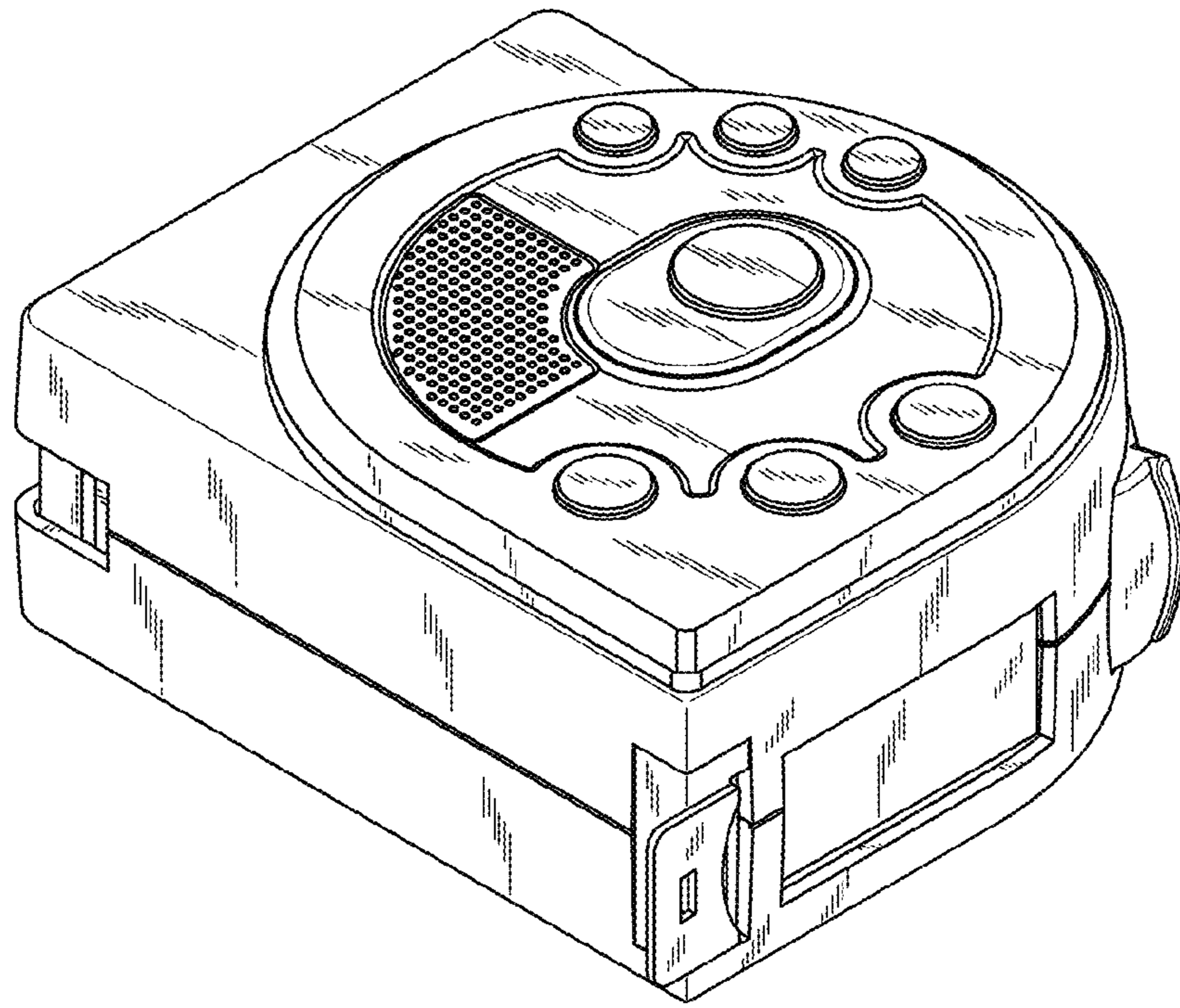


FIG. 1

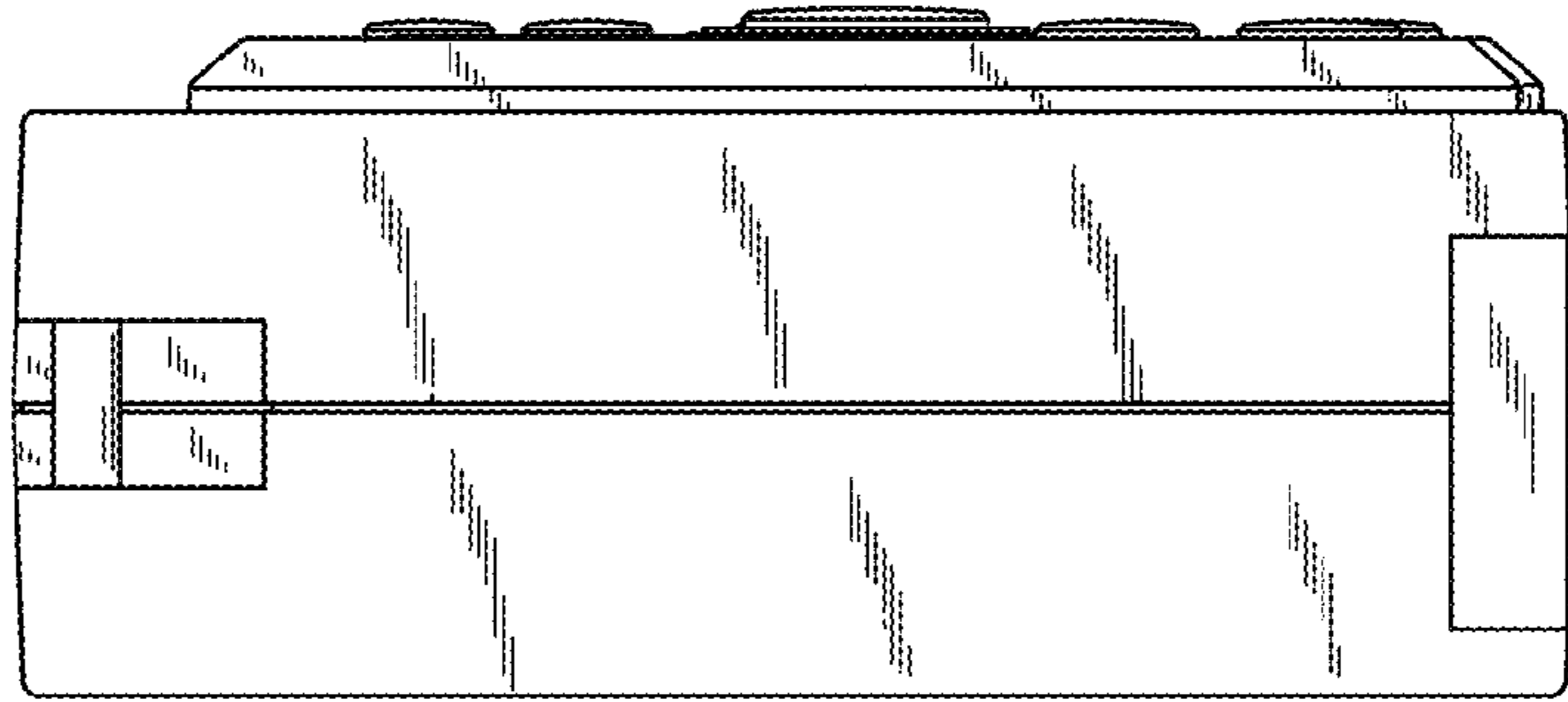


FIG. 2

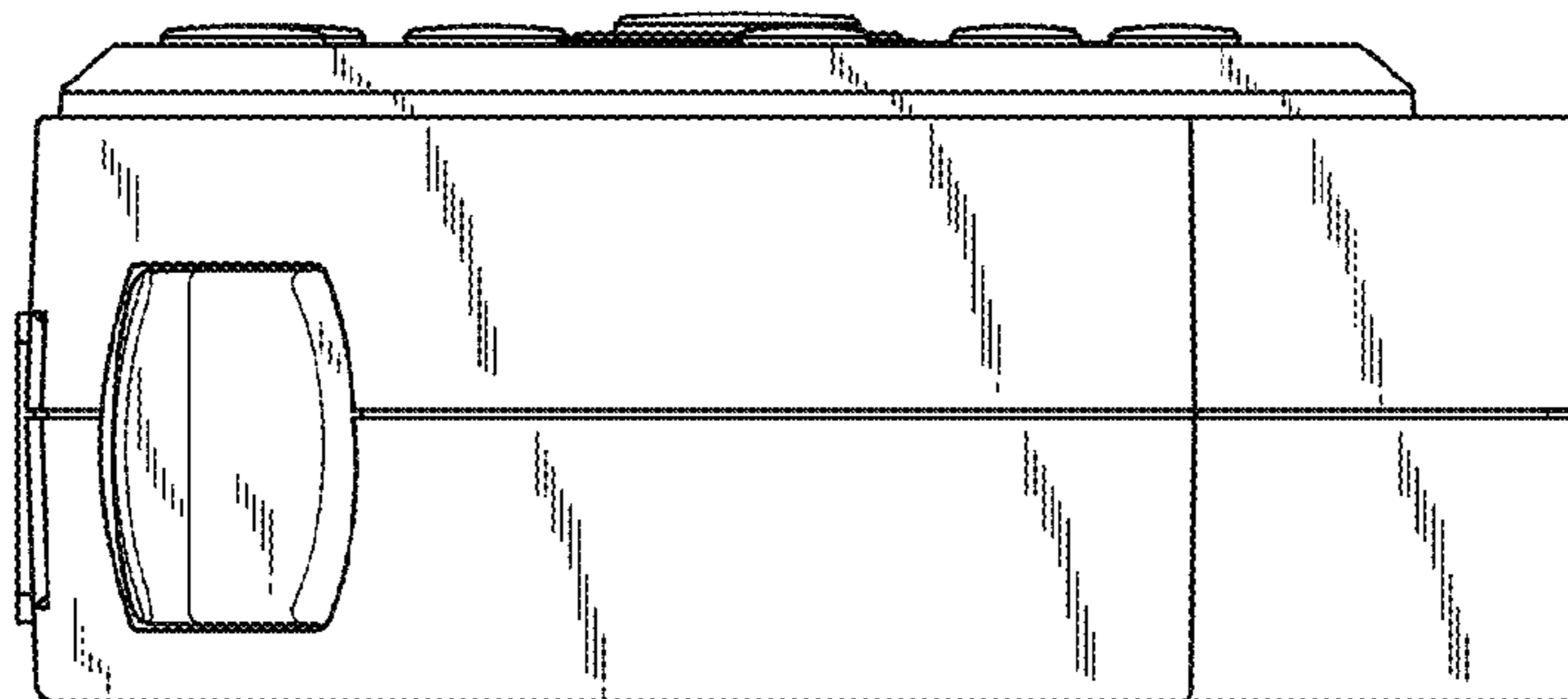


FIG. 3

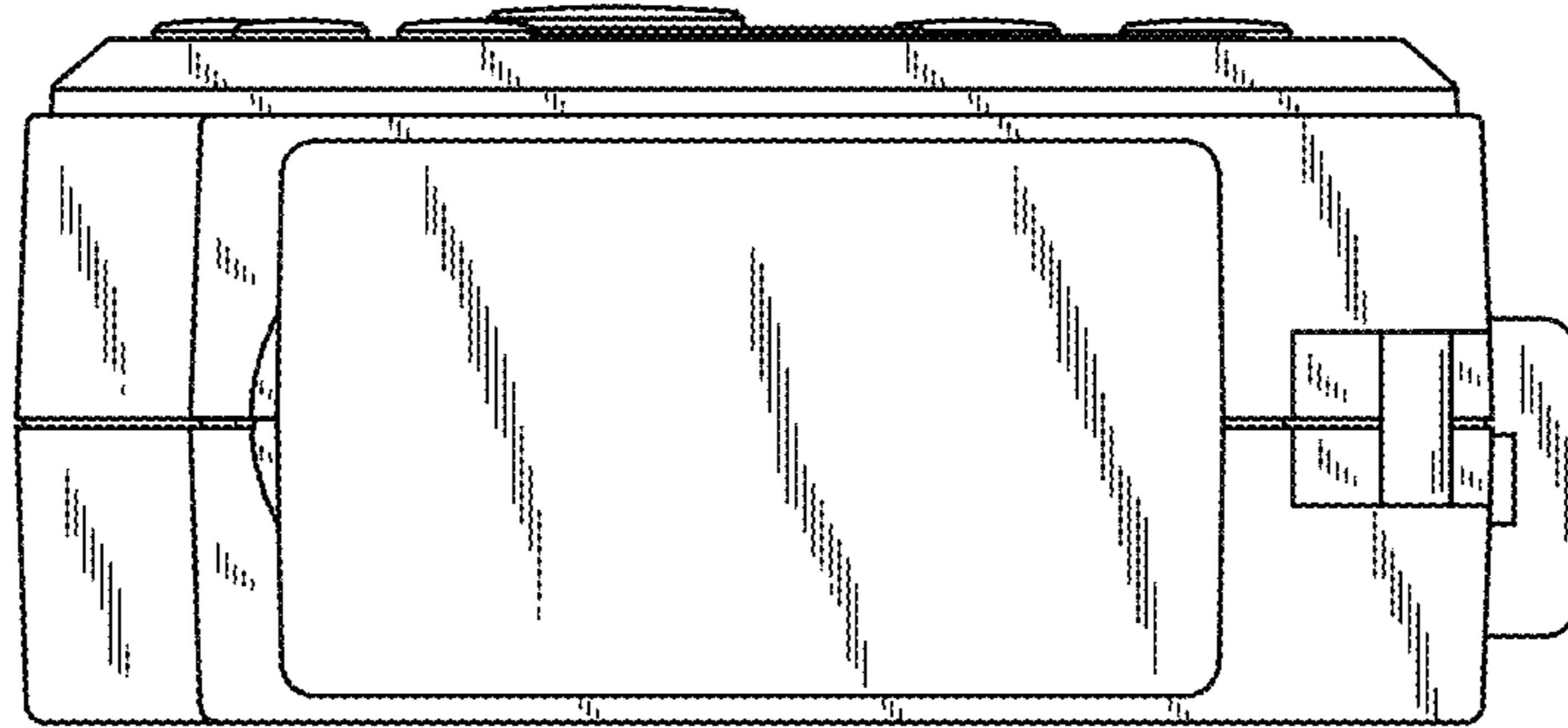


FIG. 4

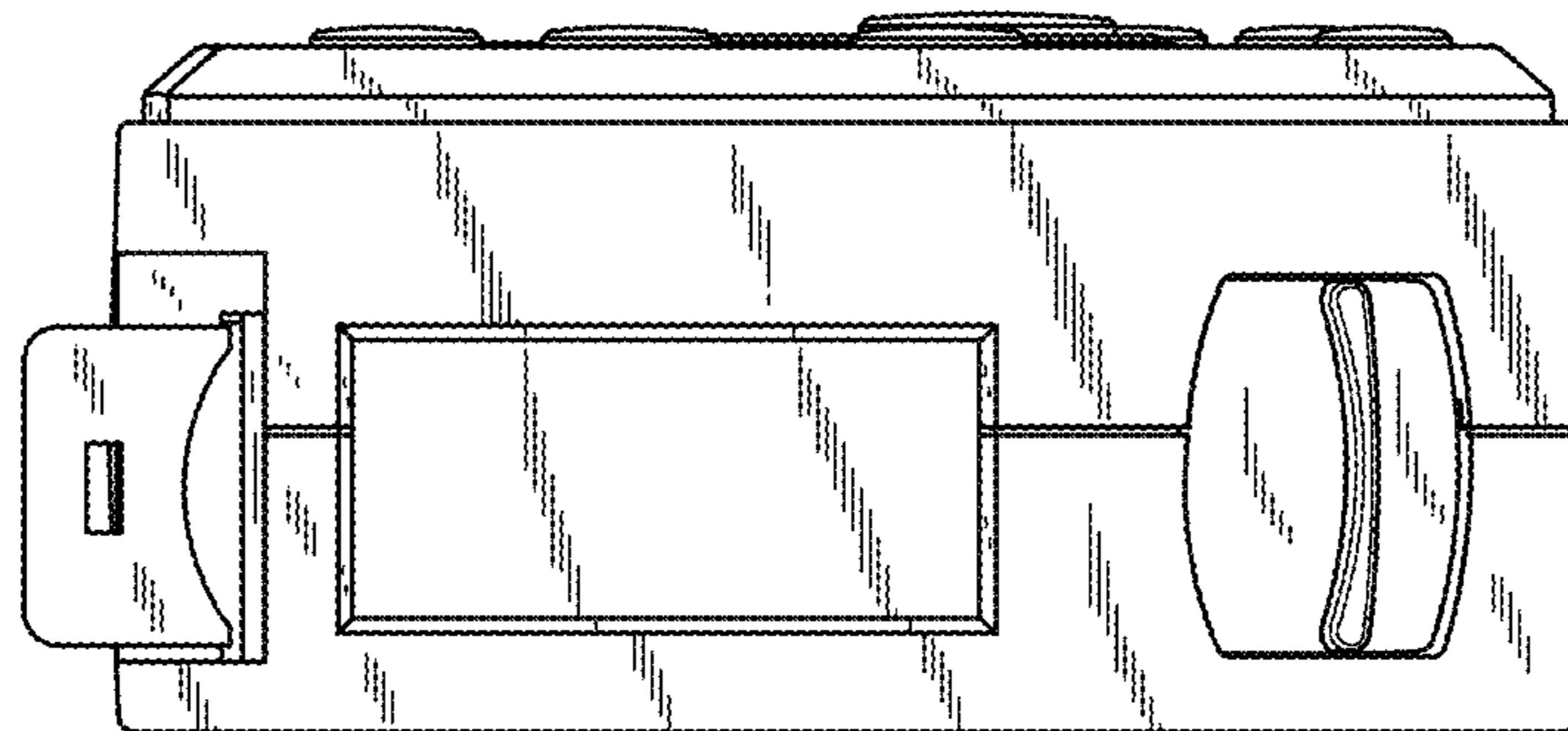


FIG. 5

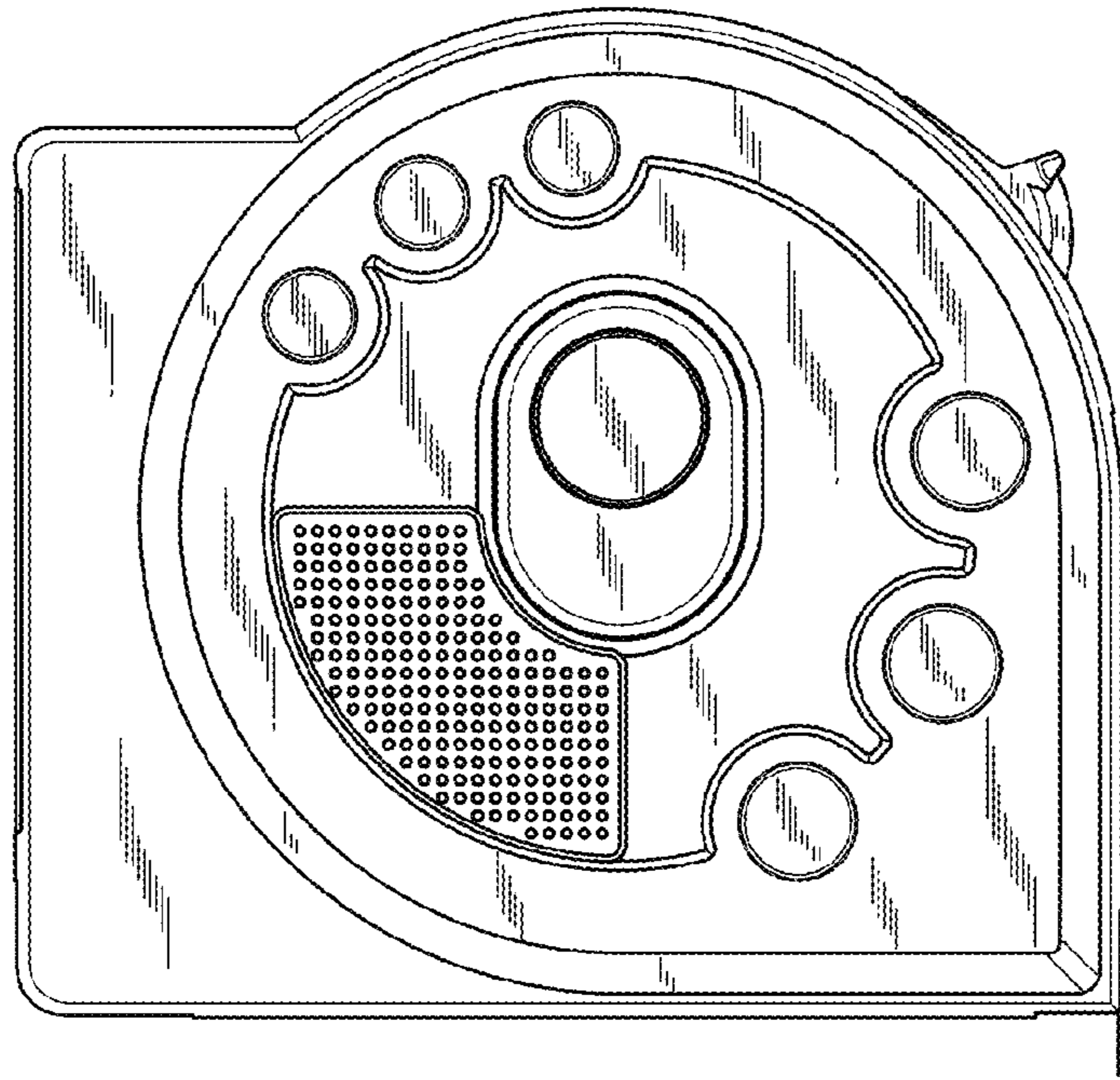


FIG. 6

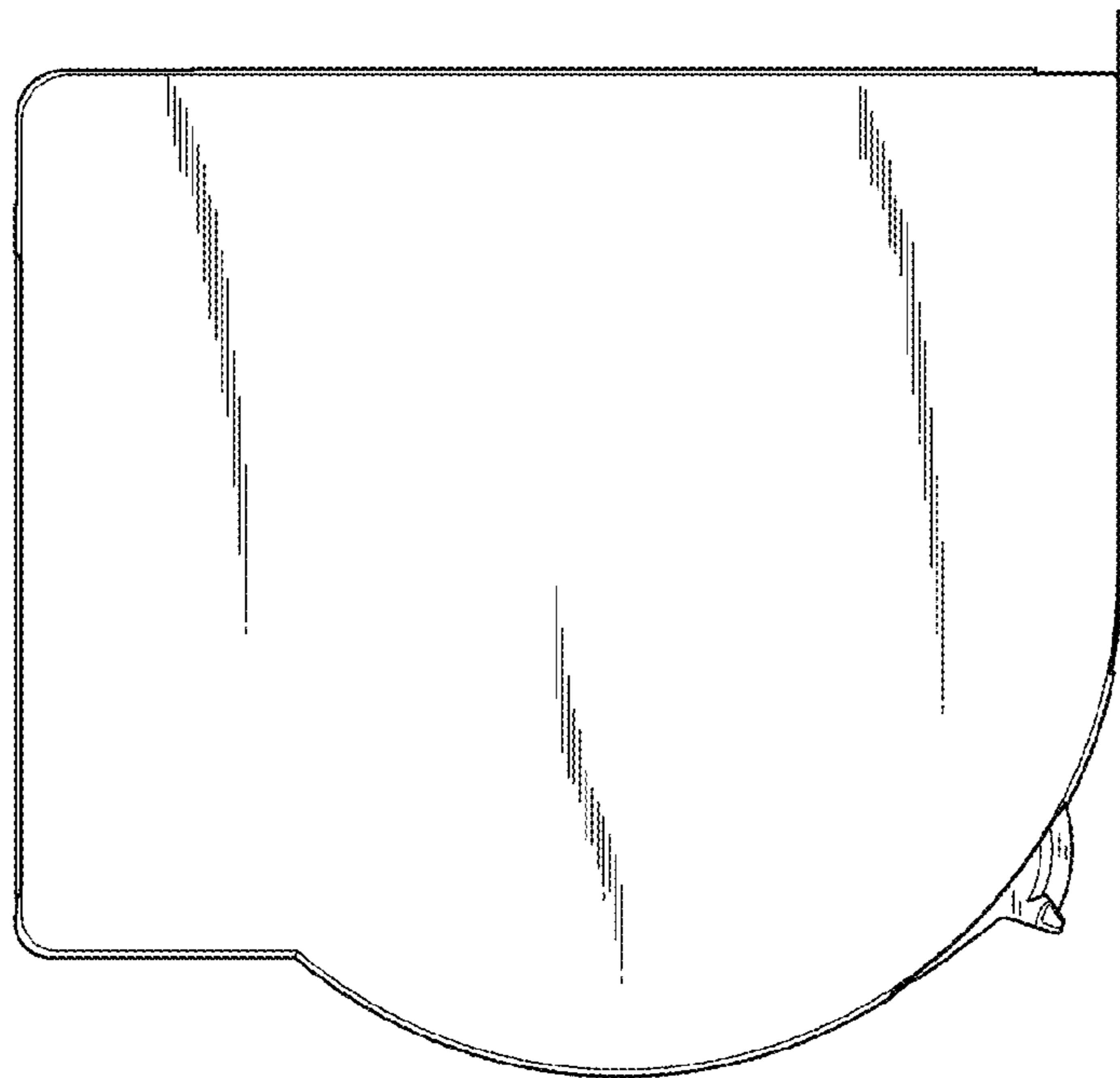


FIG. 7