



US00D716669S

(12) **United States Design Patent**
Weiss

(10) **Patent No.:** **US D716,669 S**

(45) **Date of Patent:** **** Nov. 4, 2014**

(54) **MULTI-DIRECTIONAL STACKABLE
BEVERAGE CONTAINER**

(71) Applicant: **Tom Weiss**, Ladera Ranch, CA (US)

(72) Inventor: **Tom Weiss**, Ladera Ranch, CA (US)

(**) Term: **14 Years**

(21) Appl. No.: **29/454,696**

(22) Filed: **May 13, 2013**

(51) **LOC (10) Cl.** **09-01**

(52) **U.S. Cl.**
USPC **D9/743; D9/566; D9/745; D7/509;**
D7/515; D7/510

(58) **Field of Classification Search**
USPC **D7/509-511, 515; D9/570, 564, 566,**
D9/573, 743, 745; 220/703, 592.16,
220/592.17; 222/143; D21/500
See application file for complete search history.

(56) **References Cited**

U.S. PATENT DOCUMENTS

3,955,715	A *	5/1976	Topor	222/143
D255,093	S *	5/1980	Hartung et al.	D9/564
D322,938	S *	1/1992	Baroi	D9/564
D371,281	S *	7/1996	Credle, Jr.	D7/625
D383,981	S *	9/1997	Macauley et al.	D9/520
D412,662	S *	8/1999	Giskeødegaard et al.	D9/636
D426,164	S *	6/2000	Gans et al.	D9/541
D447,944	S *	9/2001	Justice	D9/745
D542,666	S *	5/2007	Trude	D9/551
D571,218	S *	6/2008	Wagner	D9/535
D591,605	S *	5/2009	Ungrady	D9/559

D607,738	S *	1/2010	Kuzma et al.	D9/542
D617,196	S *	6/2010	Weggelaar	D9/522
8,382,548	B2 *	2/2013	Maggiore et al.	446/120

* cited by examiner

Primary Examiner — Marianne Pandozzi

(74) *Attorney, Agent, or Firm* — David G. Duckworth;
Russo & Duckworth, LLP

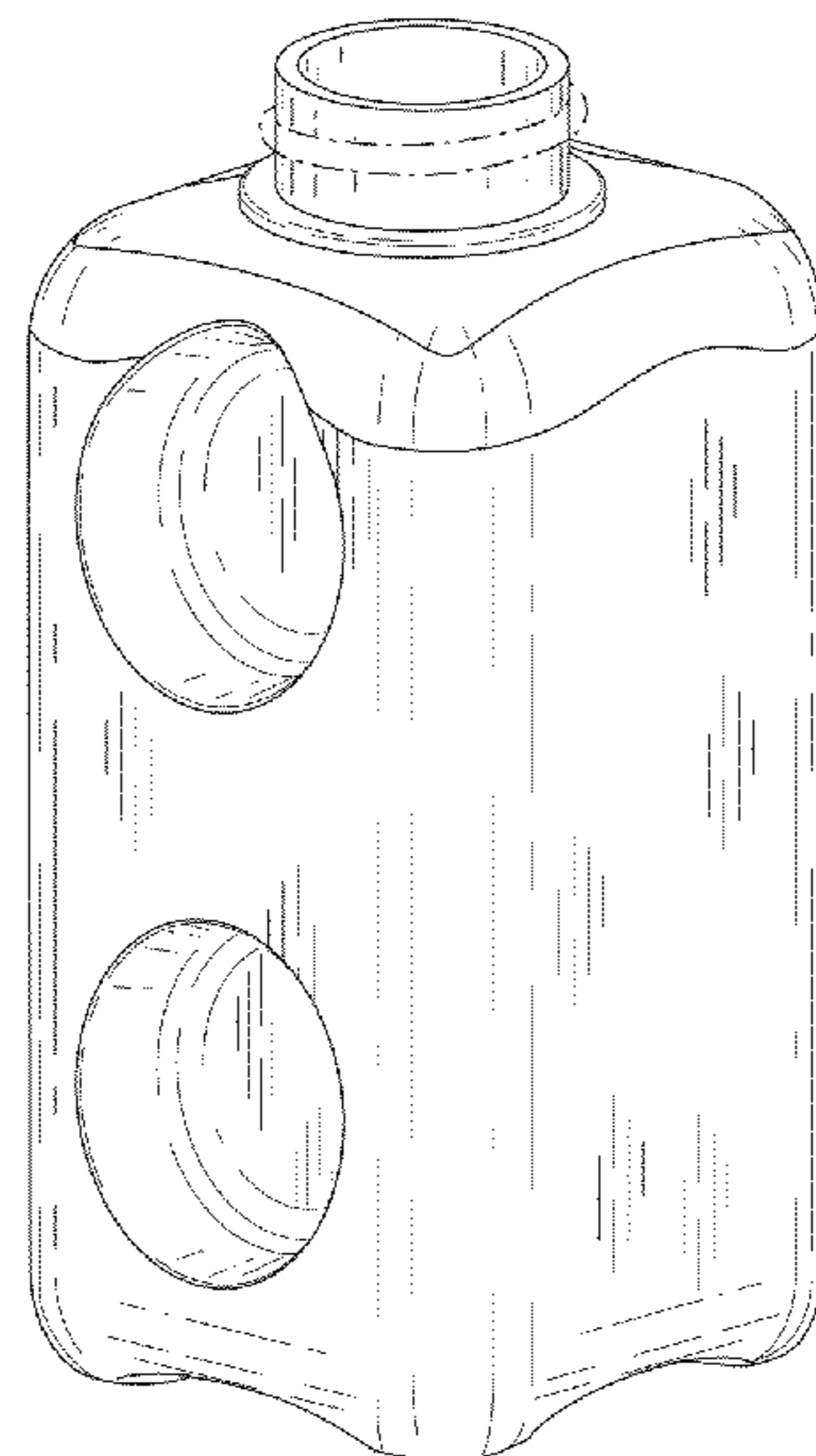
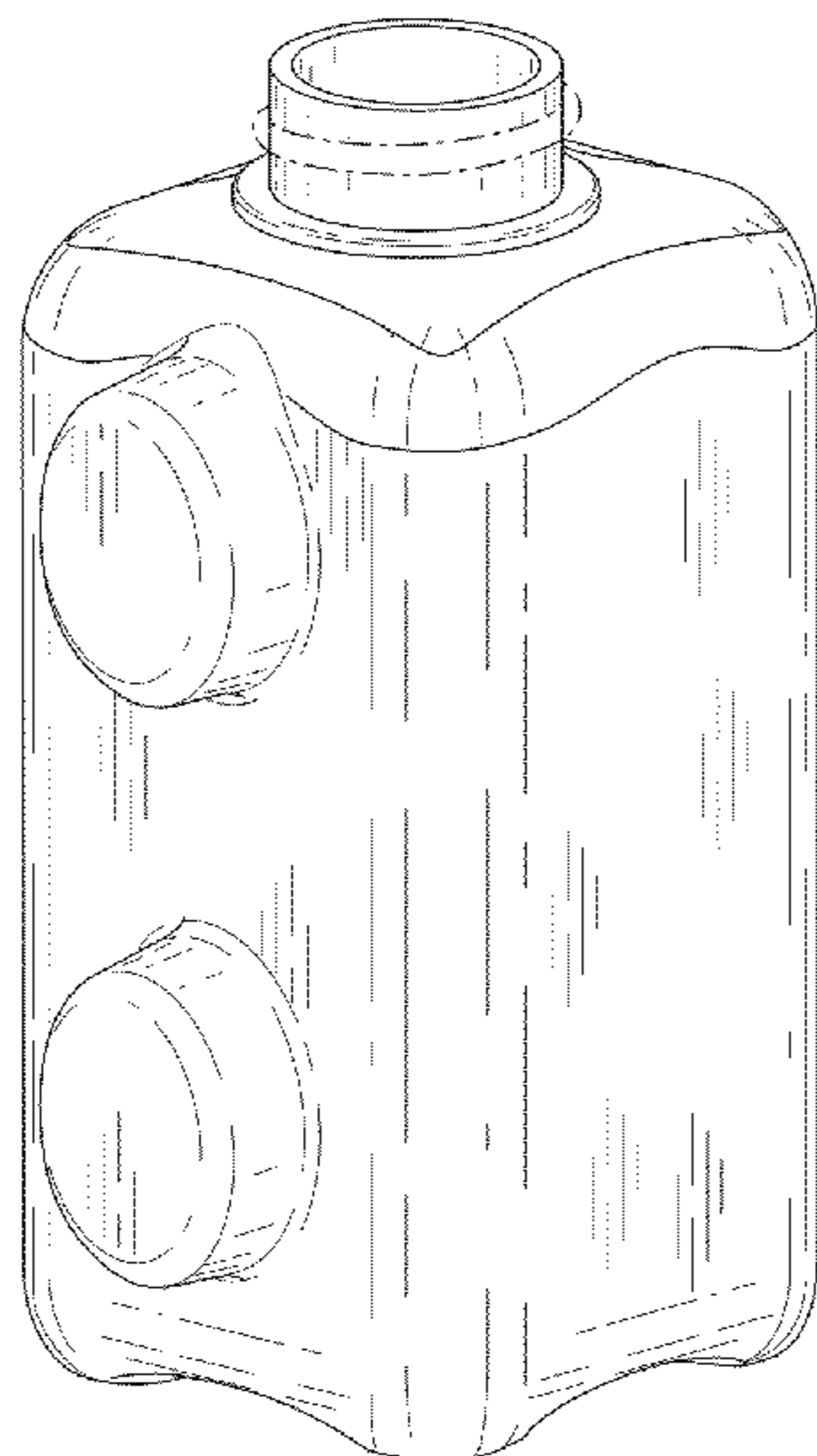
(57) **CLAIM**

The ornamental design for the multi-directional stackable beverage container, as shown and described.

DESCRIPTION

FIG. 1 is a top, right, front perspective view of the multi-directional stackable beverage container of my design; FIG. 2 is a top, rear, left perspective view thereof; FIG. 3 is a bottom, left, front perspective view thereof; FIG. 4 is a front elevation view thereof; FIG. 5 is a rear elevation view thereof; FIG. 6 is a left elevation view thereof; FIG. 7 is a right elevation view thereof; FIG. 8 is a bottom plan view thereof; FIG. 9 is a top plan view thereof; FIG. 10 is an environmental top, right perspective view of the stackable beverage container in a stacked condition; FIG. 11 is an environmental top, right perspective view of the stackable beverage container in a stacked condition; FIG. 12 is an environmental top, right perspective view of the stackable beverage container in a stacked condition; FIG. 13 is an environmental top, right perspective view of the stackable beverage container in a stacked condition; and, FIG. 14 is an environmental top, right perspective view of the stackable beverage container in a stacked condition. The broken lines shown represent unclaimed subject matter and form no part of the claimed design.

1 Claim, 8 Drawing Sheets



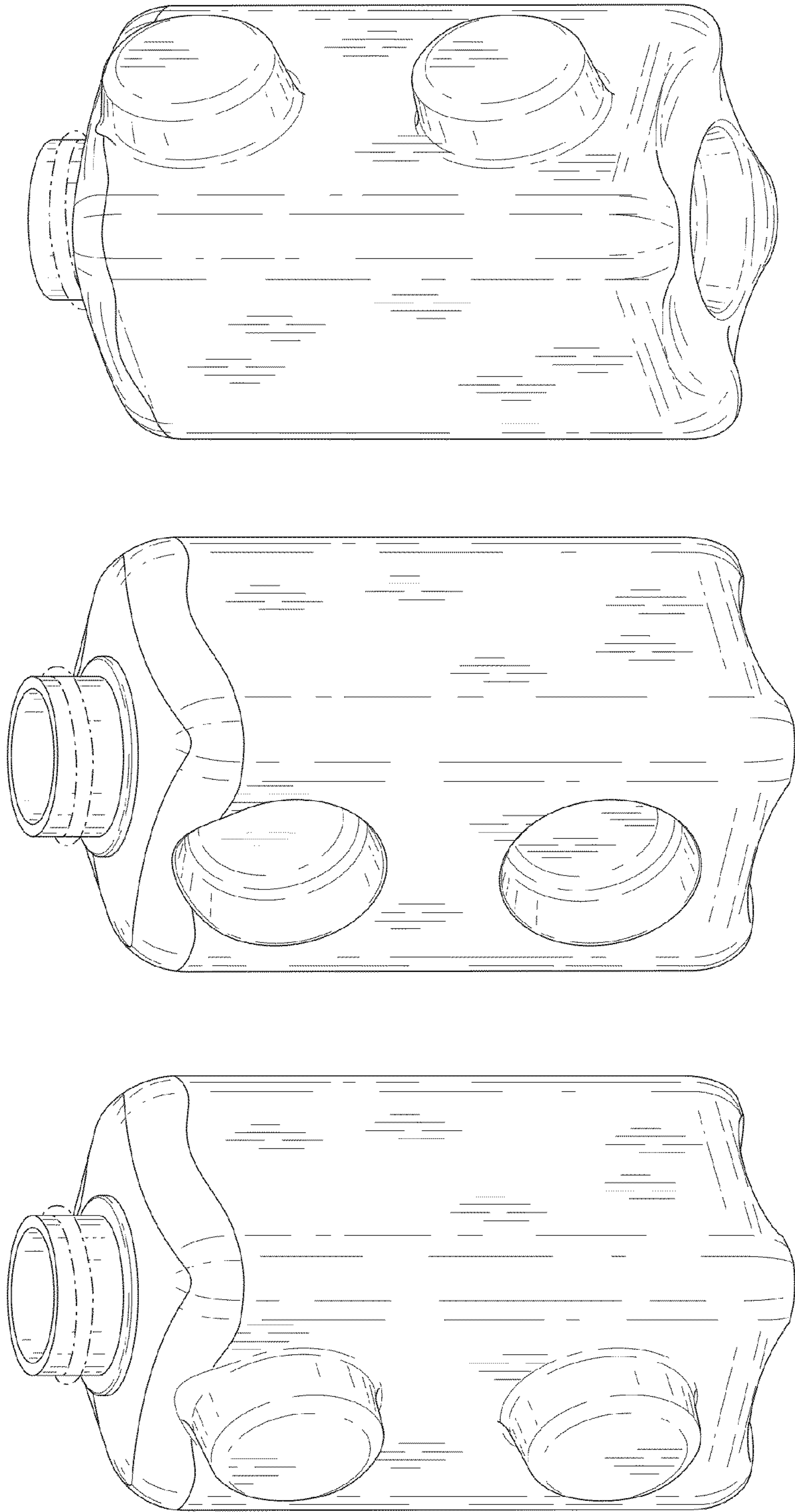


Fig. 3

Fig. 2

Fig. 1

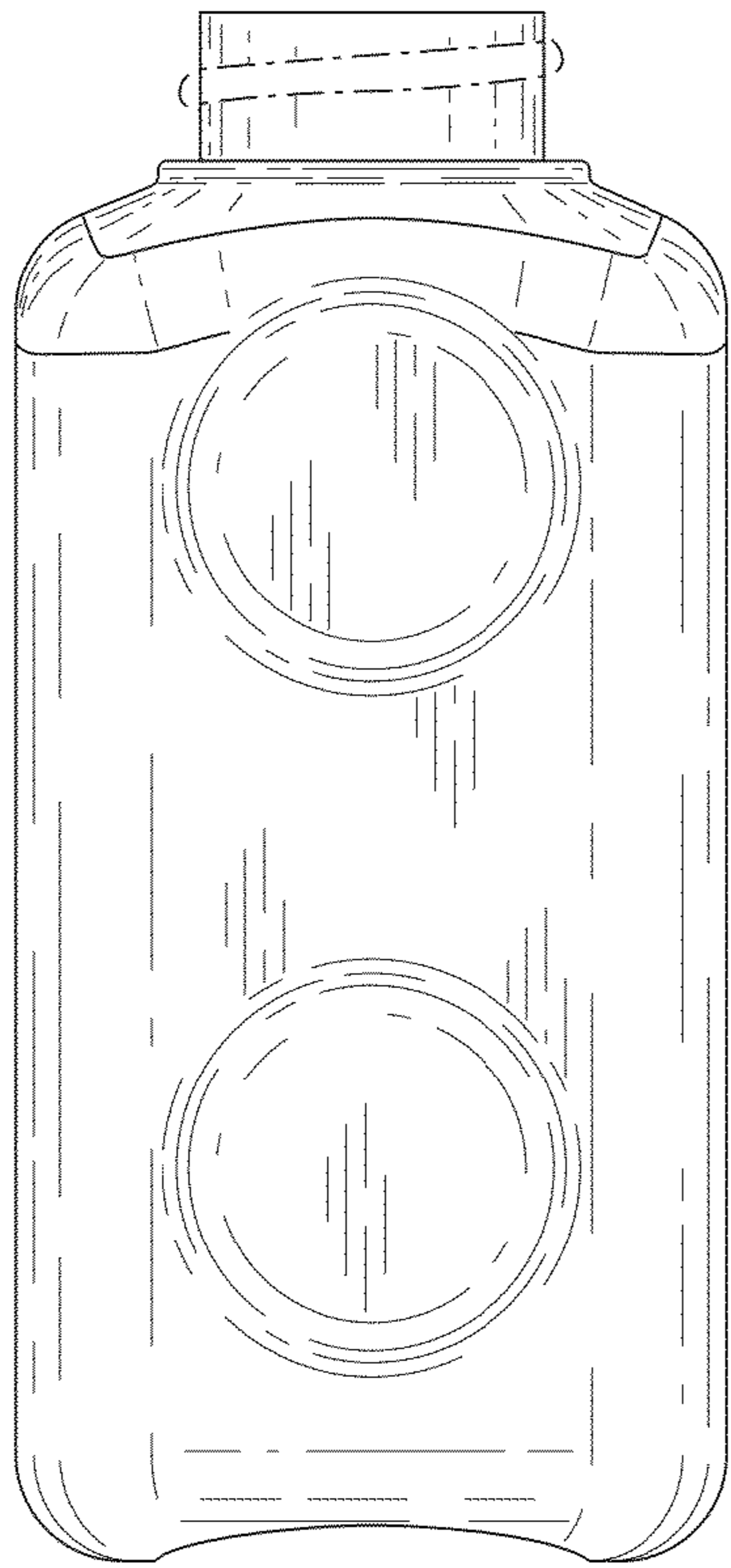


Fig. 4

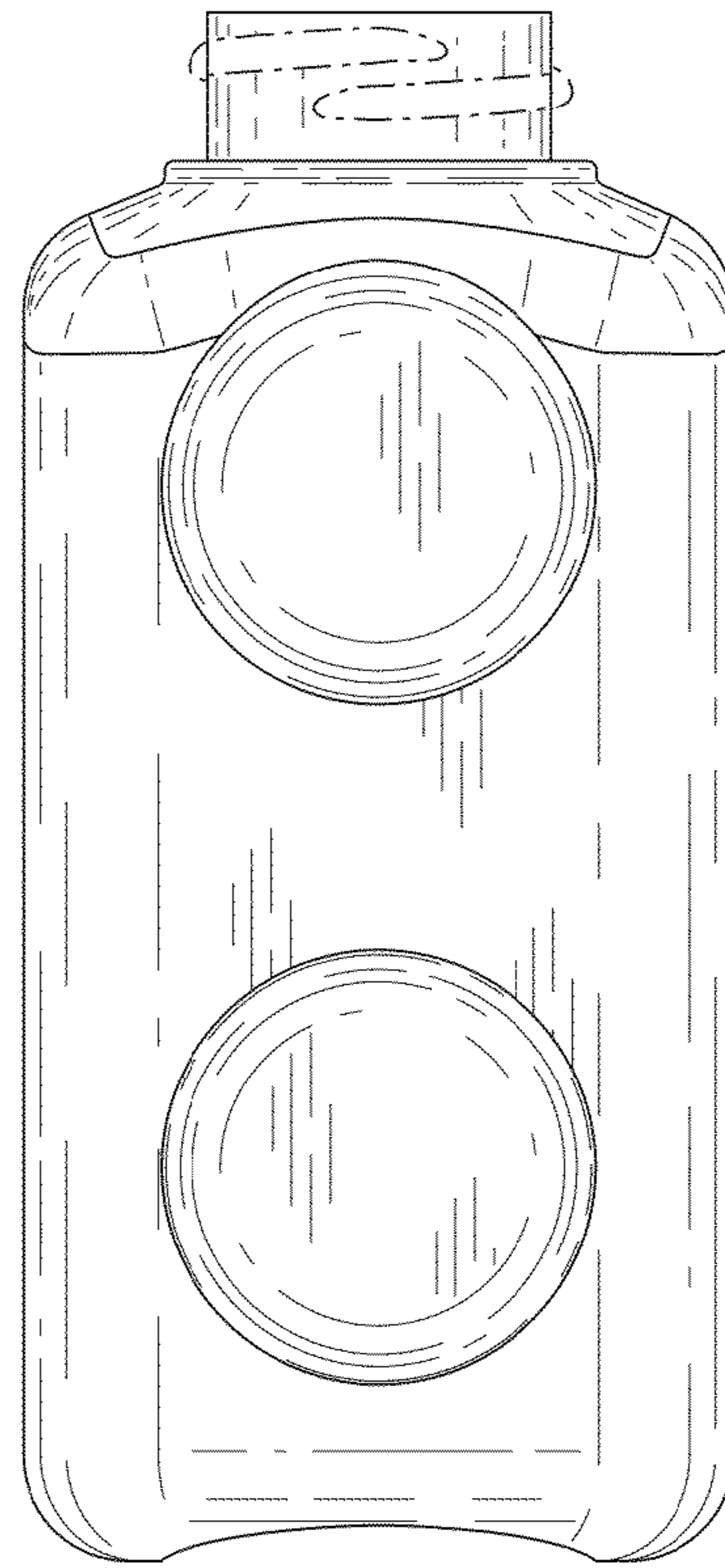


Fig. 5

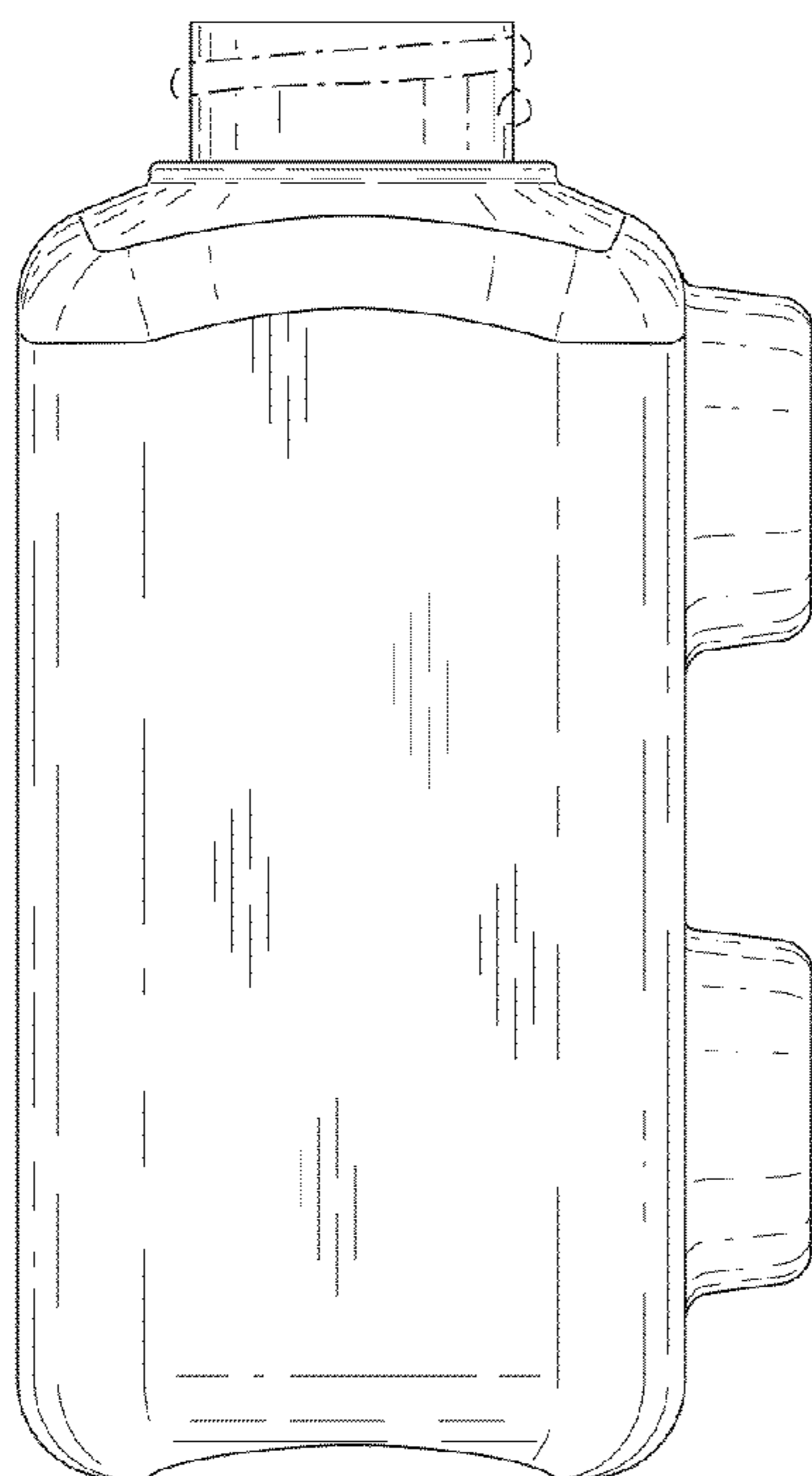


Fig. 6

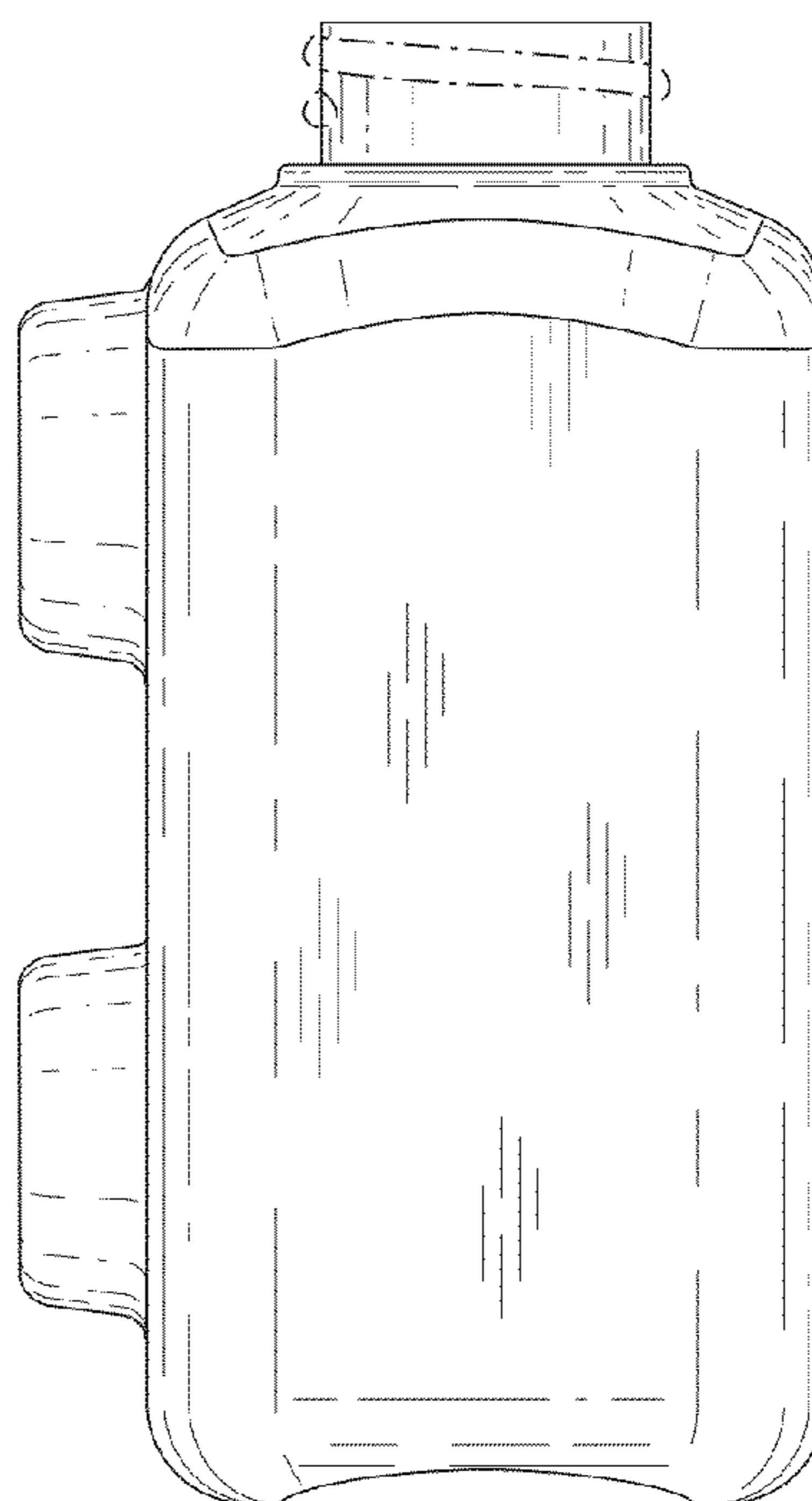


Fig. 7

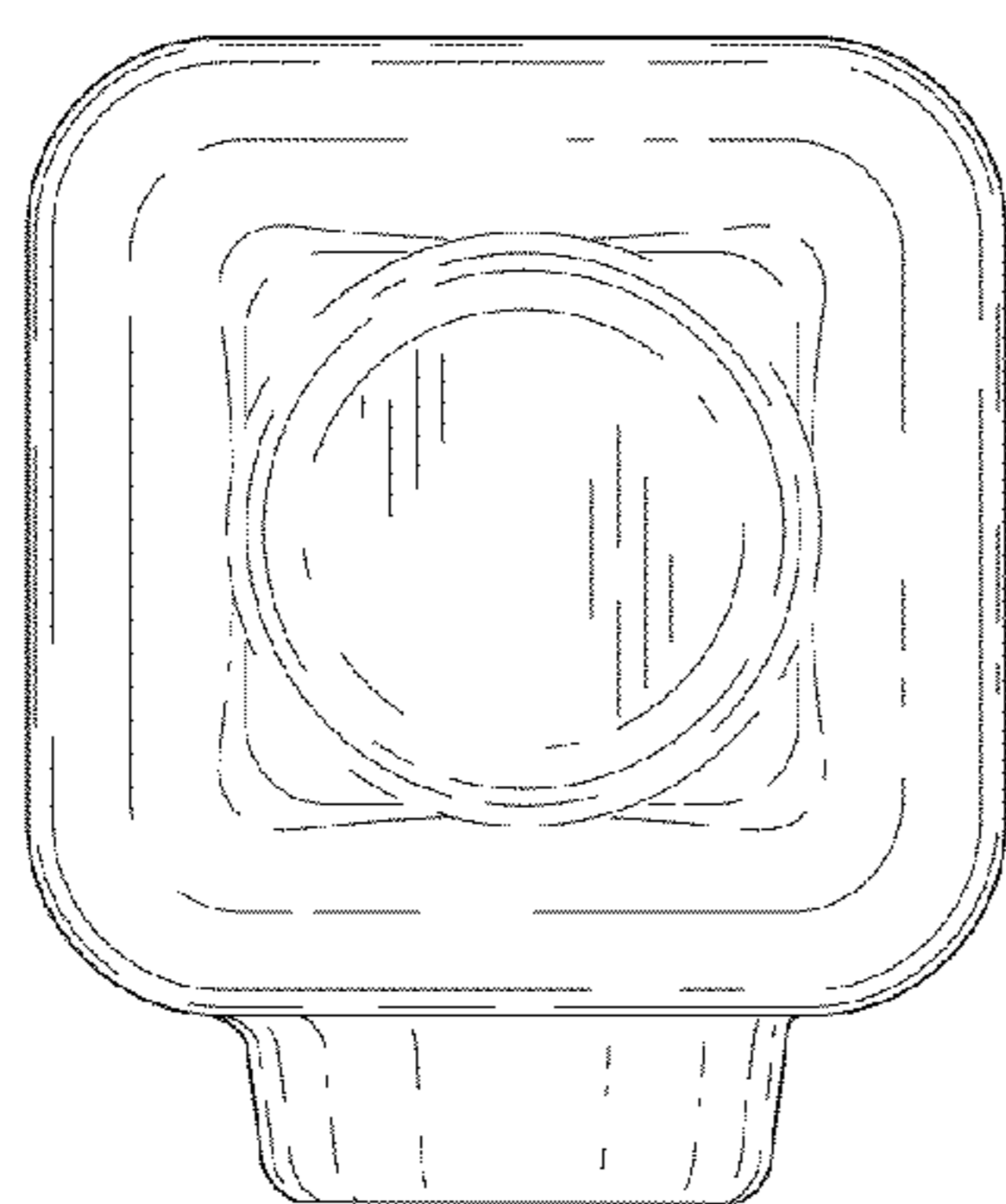


Fig. 8

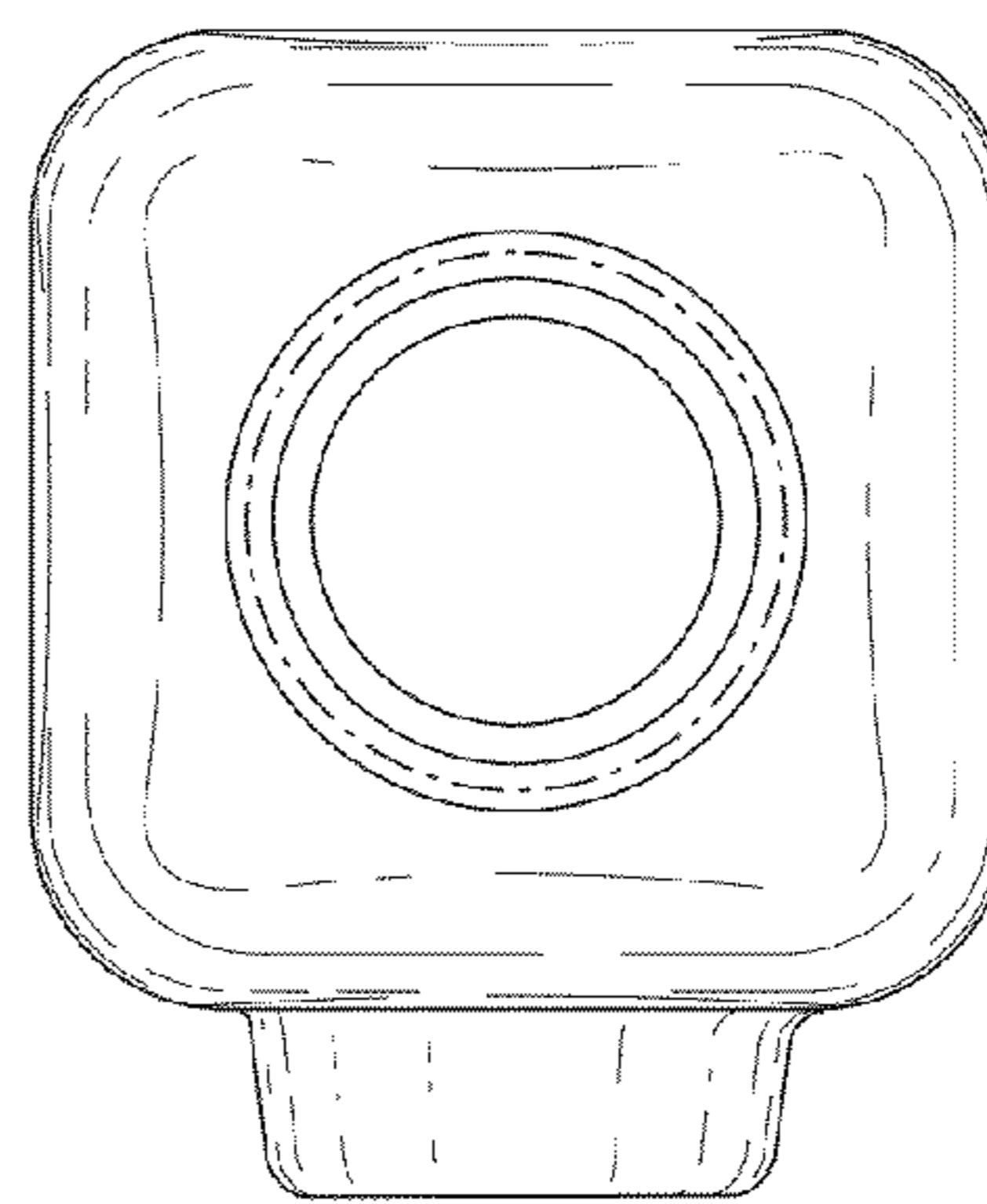


Fig. 9

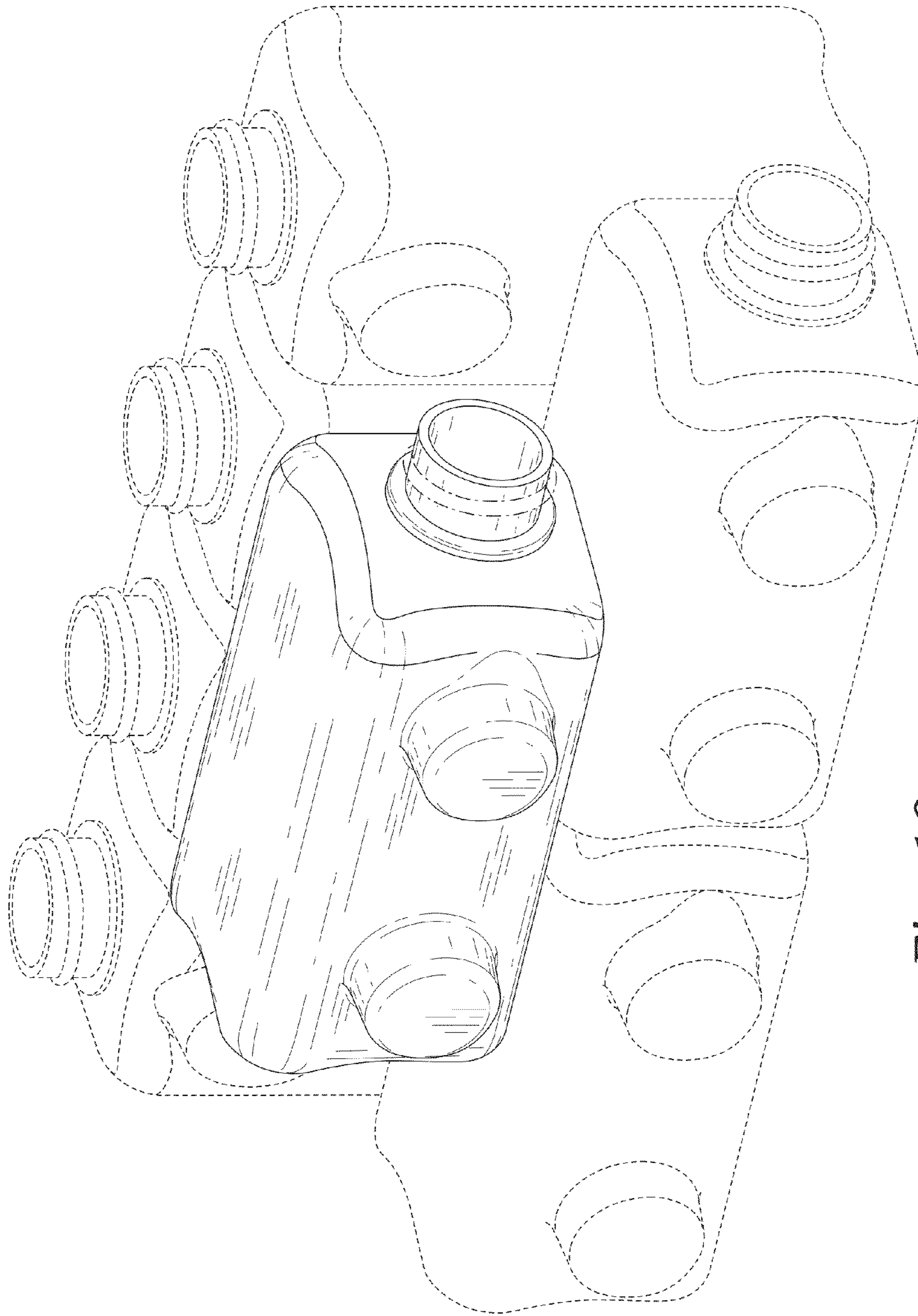


Fig. 10

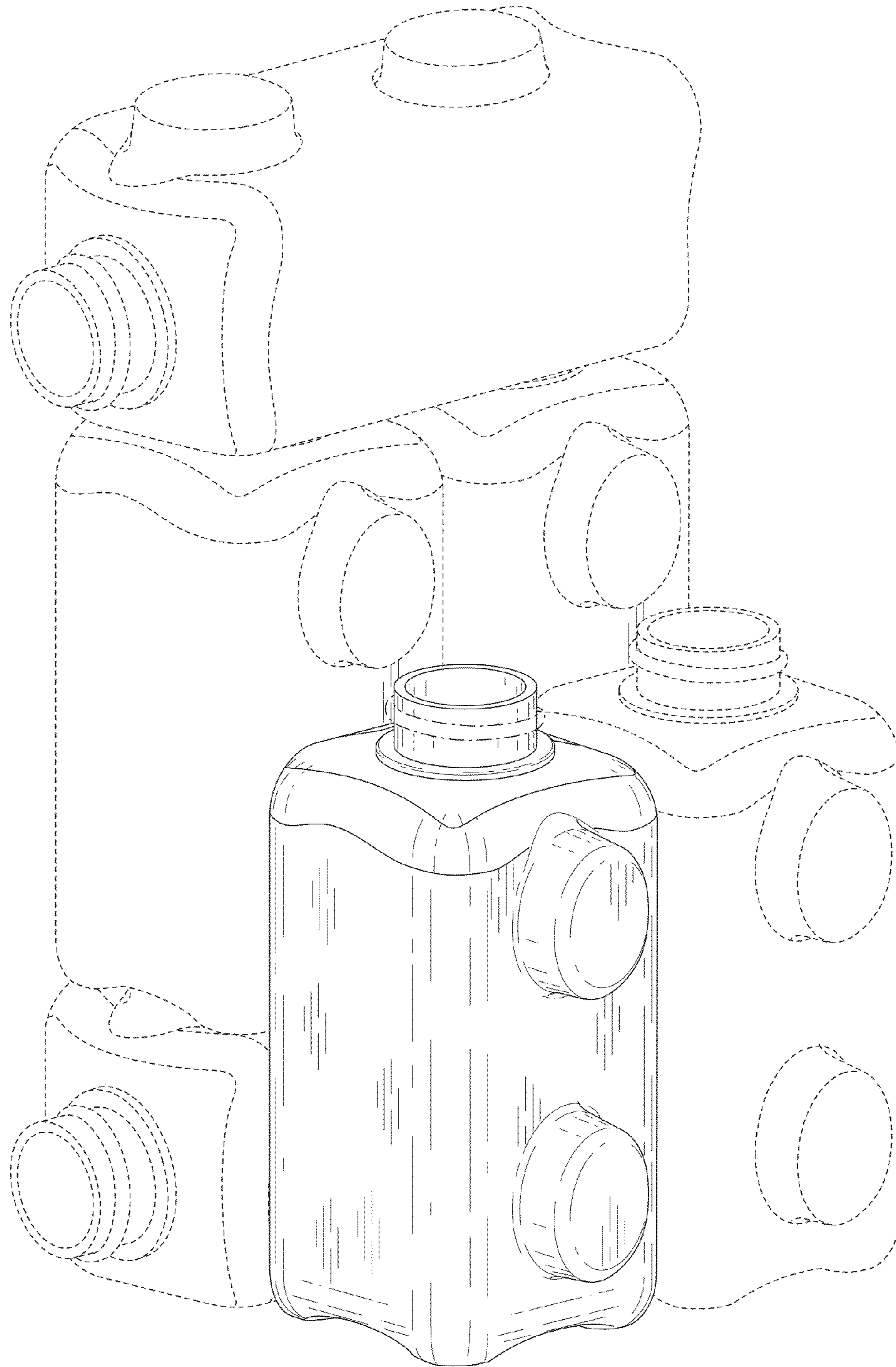


Fig. 11

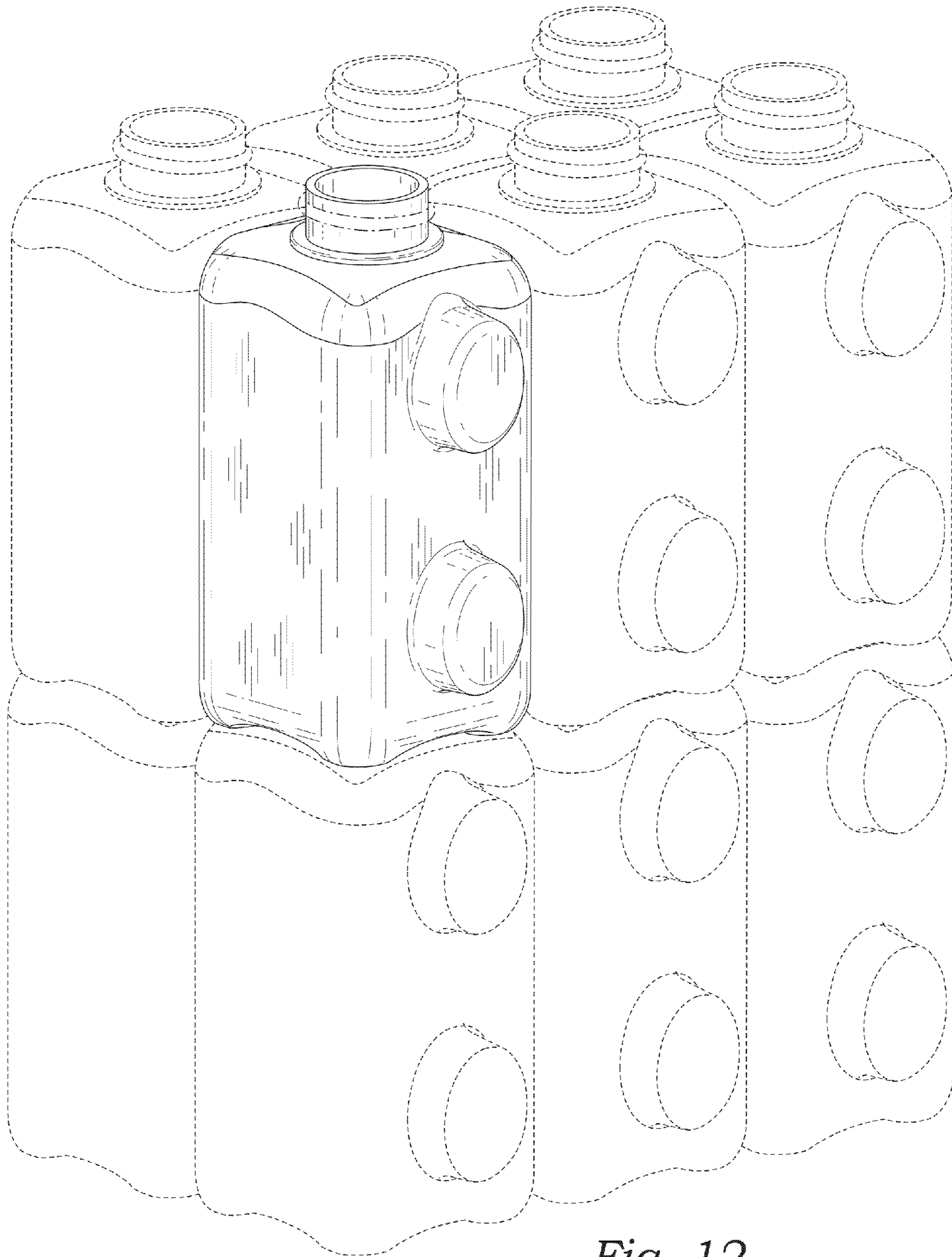


Fig. 12

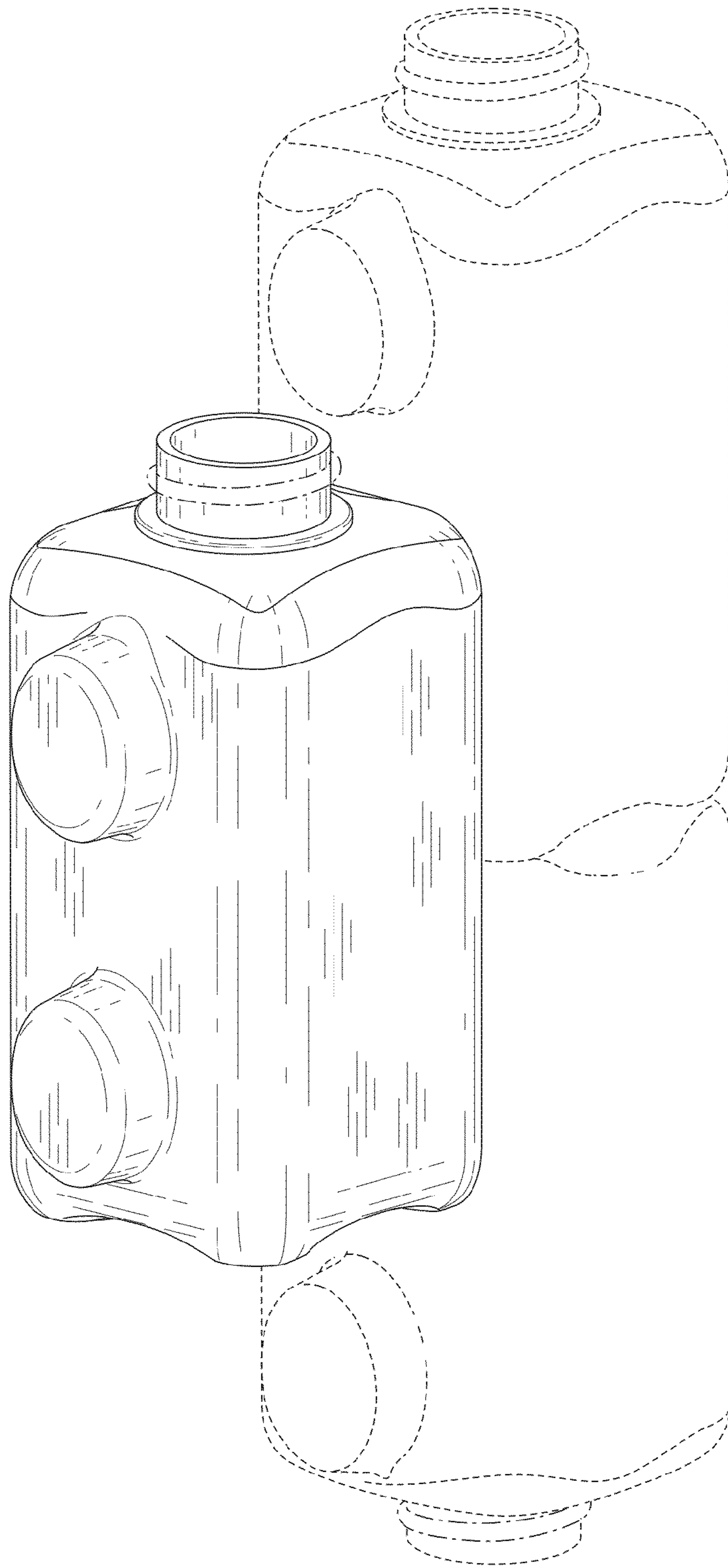


Fig. 13

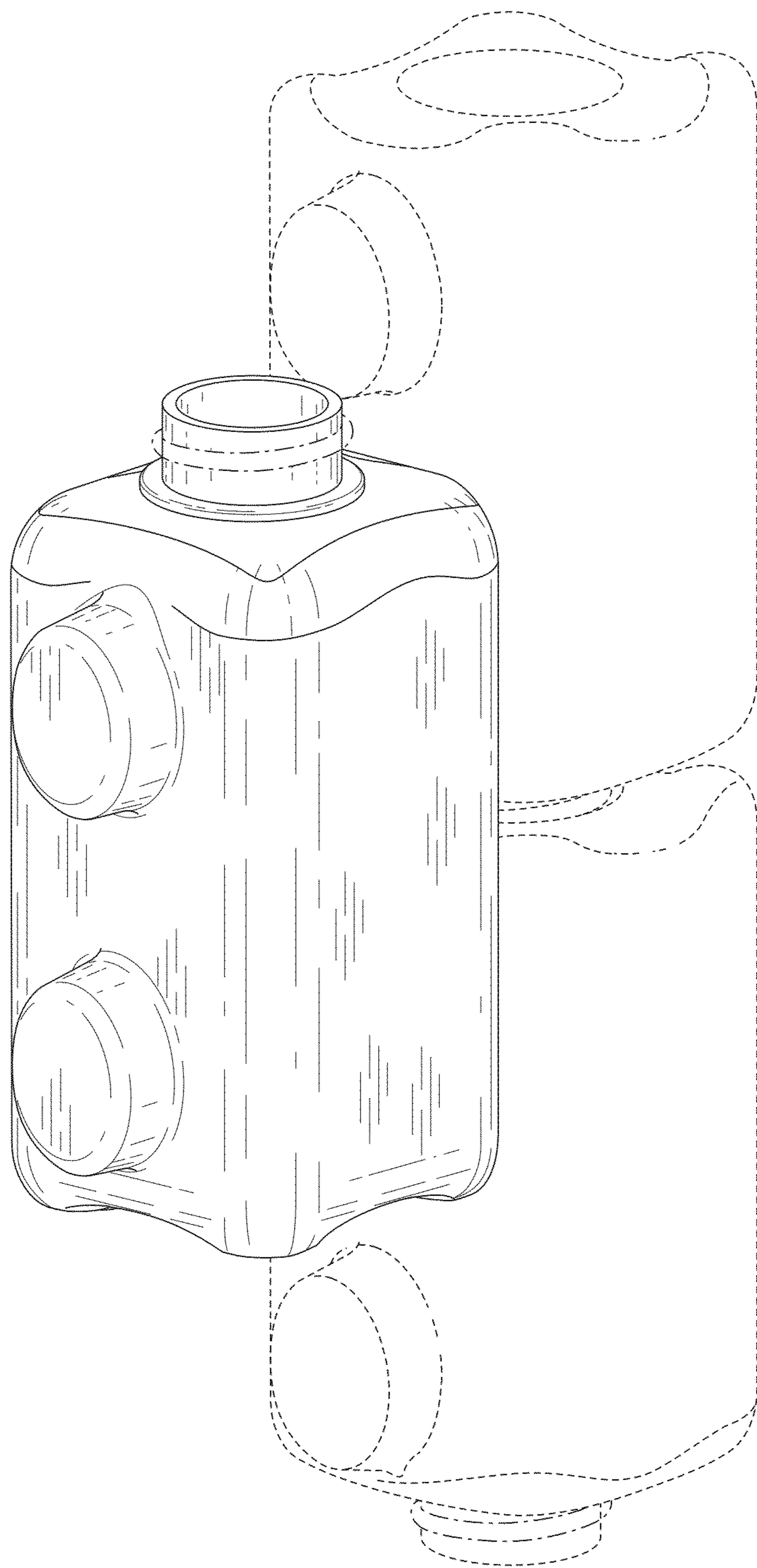


Fig. 14