



US00D716660S

(12) **United States Design Patent**
Quinones et al.

(10) **Patent No.:** **US D716,660 S**

(45) **Date of Patent:** **** Nov. 4, 2014**

(54) **CONFECTIONERY CONTAINER**

(71) Applicant: **Intercontinental Great Brands LLC**,
East Hanover, NJ (US)

(72) Inventors: **Rafael Quinones**, Dunwoody, GA (US);
Salina Fung, Morris Plains, NJ (US);
Kerri Kim Clark, Morristown, NJ (US);
James E. McCay, Fairfield, CT (US);
Jesse S. Kruska, New Haven, CT (US)

(73) Assignee: **Intercontinental Great Brands LLC**,
East Hanover, NJ (US)

(**) Term: **14 Years**

(21) Appl. No.: **29/466,784**

(22) Filed: **Sep. 11, 2013**

(51) **LOC (10) Cl.** **09-01**

(52) **U.S. Cl.**

USPC **D9/503**; D9/449; D9/539

(58) **Field of Classification Search**

CPC B65D 1/00; B65D 1/02; B65D 1/0223;
B65D 1/10; B65D 23/00

USPC D9/414, 420, 423-424, 428, 434-435,
D9/443, 449, 454, 500-505, 516, 530,
D9/537-540, 549, 558; D24/197; 206/540;
215/379, 381-382; 220/660, 669, 675

See application file for complete search history.

(56) **References Cited**

U.S. PATENT DOCUMENTS

2,852,054 A	9/1958	Motley	
D204,214 S *	3/1966	Huling D9/448
3,826,394 A	7/1974	Stull	
4,170,315 A	10/1979	Dubach et al.	
4,444,326 A	4/1984	Musel	
4,520,943 A	6/1985	Nielsen	
D291,411 S	8/1987	Crawford	

4,809,874 A	3/1989	Pehr	
D305,206 S	12/1989	Hickman et al.	
D307,238 S	4/1990	May	
4,940,167 A	7/1990	Fillmore et al.	
D330,485 S	10/1992	Daenen et al.	
D331,878 S	12/1992	Forsyth	
5,180,072 A	1/1993	Oehlert	
D334,709 S	4/1993	Fleming et al.	
D340,187 S	10/1993	Forsyth	
D340,188 S	10/1993	Forsyth	
D363,222 S	10/1995	Lay	
D368,529 S *	4/1996	Allegre D24/197
D375,655 S *	11/1996	King D7/511
5,762,216 A	6/1998	Takeuchi	
5,860,543 A	1/1999	Decelles	

(Continued)

FOREIGN PATENT DOCUMENTS

CA	82533	12/1997
CA	97387	5/2002

(Continued)

Primary Examiner — Ian Simmons

Assistant Examiner — Dana L Meyrow

(74) *Attorney, Agent, or Firm* — Hoffmann & Baron, LLP

(57) **CLAIM**

The ornamental design for a confectionery container, as shown and described.

DESCRIPTION

FIG. 1 is a perspective view of the confectionery container of the present invention.

FIG. 2 is a bottom perspective view thereof.

FIG. 3 is a front elevational view thereof.

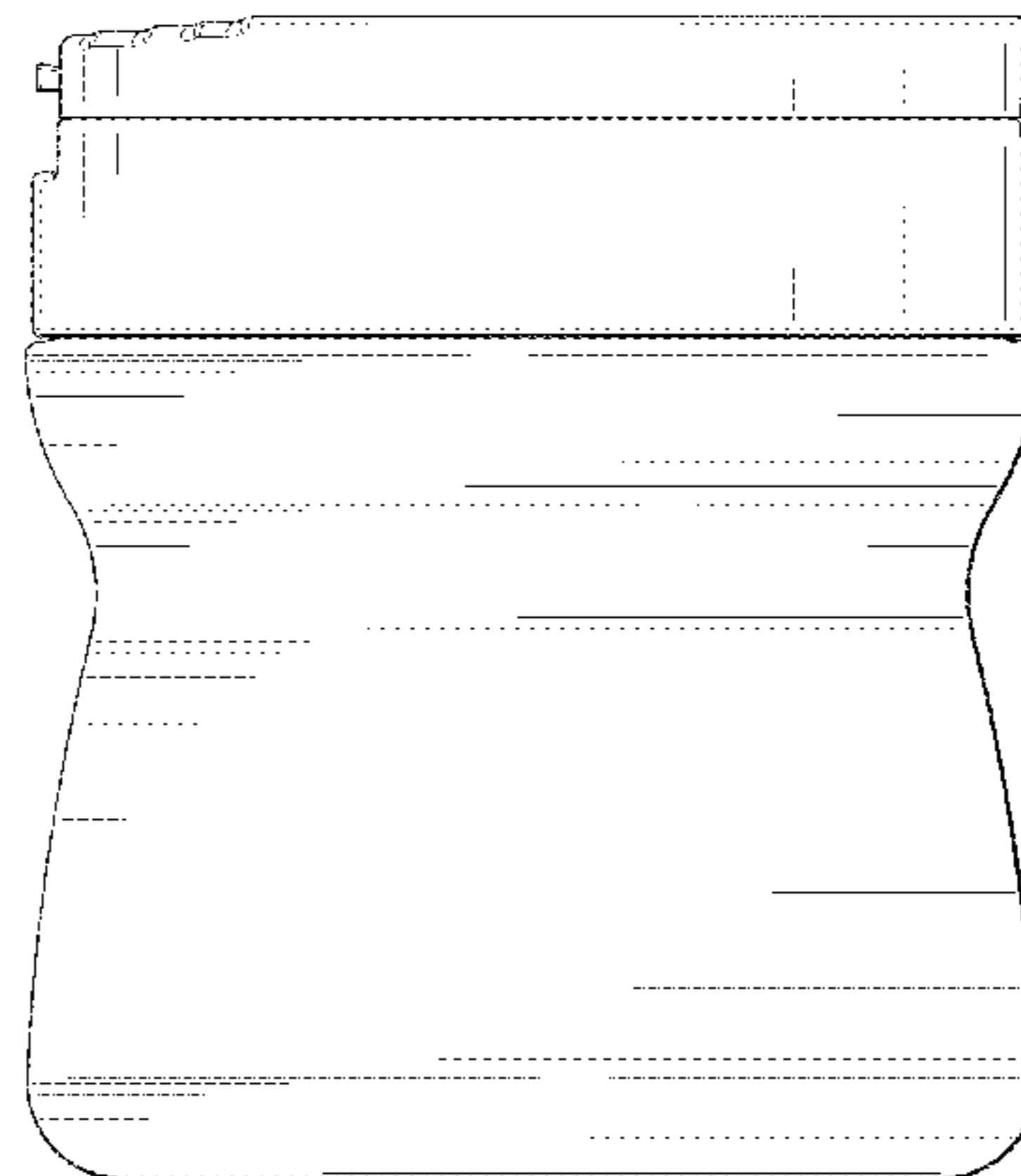
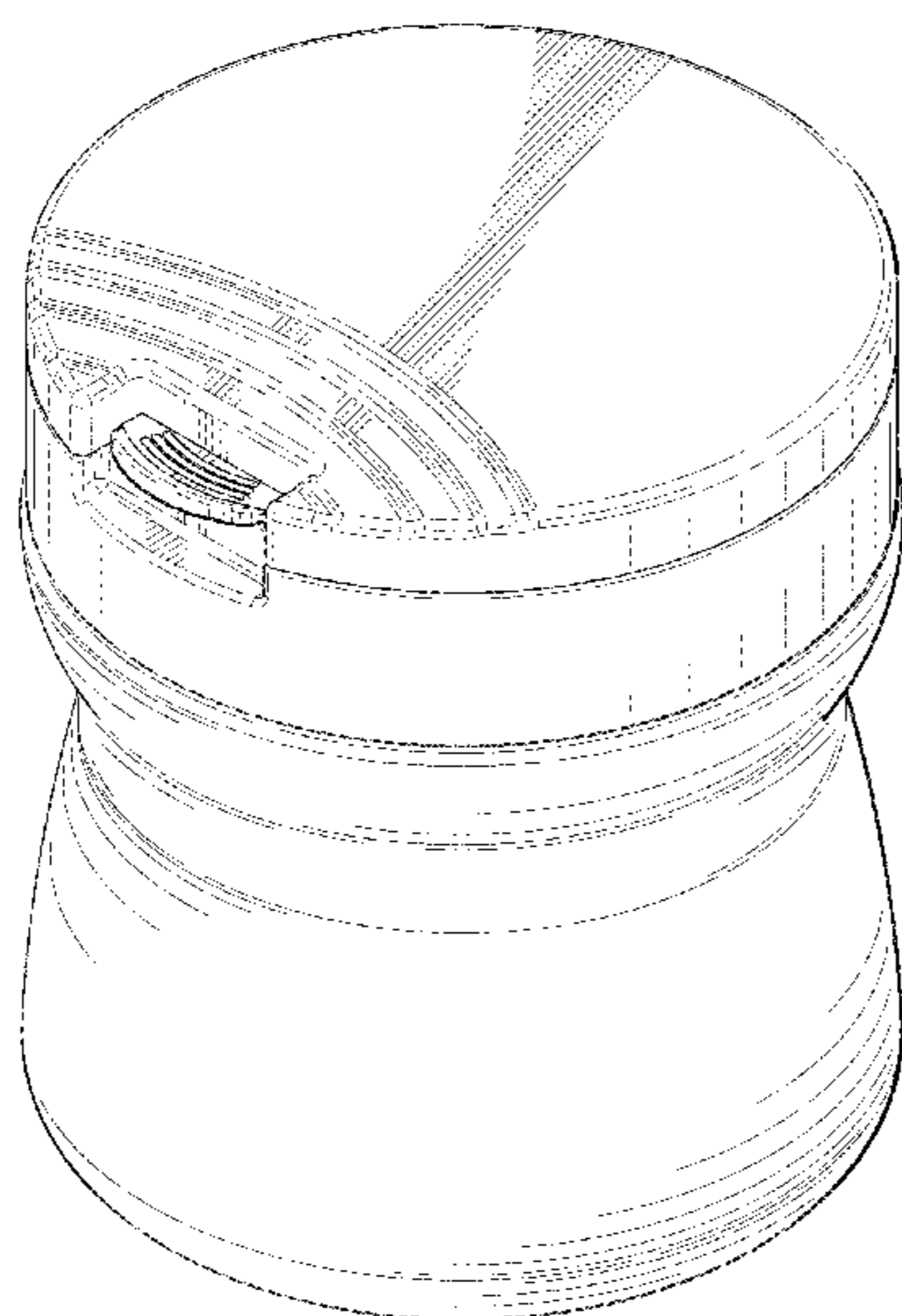
FIG. 4 is a side elevational view thereof, the opposed side being a mirror image thereof.

FIG. 5 is a rear elevational view thereof.

FIG. 6 is a top plan view thereof; and,

FIG. 7 is a bottom plan view thereof.

1 Claim, 7 Drawing Sheets



(56)

References Cited

U.S. PATENT DOCUMENTS

D426,773 S * 6/2000 Warner et al. D9/503
 D431,458 S 10/2000 Bried et al.
 D441,087 S * 4/2001 Johansen et al. D24/197
 D448,296 S 9/2001 Bried et al.
 D448,668 S 10/2001 Baerenwald et al.
 D456,713 S 5/2002 Bried et al.
 6,409,034 B2 6/2002 Schorner
 D462,613 S 9/2002 Bried et al.
 D464,567 S 10/2002 Baerenwald et al.
 D464,886 S 10/2002 Bried et al.
 D466,408 S 12/2002 Baerenwald et al.
 D470,050 S 2/2003 Renz et al.
 D471,458 S * 3/2003 Booth et al. D9/504
 D474,402 S 5/2003 Baerenwald
 6,761,283 B1 7/2004 Gilliam et al.
 6,772,904 B1 8/2004 Gilliam et al.
 D503,112 S * 3/2005 Kudert et al. D9/500
 7,000,792 B2 2/2006 Arai
 D522,362 S 6/2006 Liebe
 D529,800 S 10/2006 Liebe
 7,178,687 B1 * 2/2007 Manderfield et al. 220/675
 D538,160 S 3/2007 Liebe et al.
 D554,508 S 11/2007 YunFu
 D567,089 S 4/2008 Glydon et al.
 D567,091 S 4/2008 Glydon et al.
 D568,155 S * 5/2008 Glydon et al. D9/500
 7,404,495 B2 7/2008 Keung
 D576,036 S * 9/2008 Dell'Accio D9/449
 D583,234 S 12/2008 Lohrman et al.
 D592,518 S * 5/2009 Faulon D9/539
 D601,022 S * 9/2009 Zamberlan et al. D9/503
 D603,698 S 11/2009 VerWeyst
 D605,522 S 12/2009 Jaeger
 D609,094 S 2/2010 Kim
 7,735,665 B2 6/2010 Robinson
 D624,428 S 9/2010 Valderrama et al.
 7,798,348 B2 9/2010 Sawyer
 D626,417 S * 11/2010 Kim D9/503
 D627,640 S 11/2010 Mazurkiewicz et al.
 D627,641 S 11/2010 Mazurkiewicz et al.
 D628,078 S 11/2010 Valderrama et al.
 D628,802 S 12/2010 Kraemer
 7,861,873 B1 1/2011 Bragg et al.
 D635,684 S * 4/2011 Shaikh et al. D24/197
 D641,627 S 7/2011 Rosenauer
 D651,511 S 1/2012 Frias

D651,899 S 1/2012 Frias
 D656,021 S 3/2012 Dunn et al.
 D665,252 S 8/2012 Mulready
 D666,488 S 9/2012 Frias
 D668,509 S * 10/2012 Beugelsdijk et al. D7/615
 8,292,101 B1 10/2012 Bragg et al.
 8,292,110 B2 10/2012 Rutter et al.
 D674,101 S * 1/2013 Smith D24/197
 2001/0050264 A1 12/2001 Schorner
 2005/0218105 A1 10/2005 Arai
 2006/0186077 A1 8/2006 Robinson
 2010/0098961 A1 4/2010 Rutter et al.
 2010/0155427 A1 6/2010 Lilienthal et al.
 2011/0006066 A1 1/2011 Vandamme et al.
 2012/0067915 A1 3/2012 Lepage

FOREIGN PATENT DOCUMENTS

CA 97390 5/2002
 CA 97386 7/2002
 CA 97388 7/2002
 CA 97389 7/2002
 CA 97960 7/2002
 CA 97961 7/2002
 CA 97513 10/2002
 CA 98224 3/2003
 CA 97958 5/2003
 CA 97959 5/2003
 CA 99020 2/2004
 CA 103611 2/2004
 CA 103612 2/2004
 CA 120430 10/2008
 CA 122354 10/2008
 CA 124204 12/2008
 CA 111678 6/2009
 CA 129623 11/2009
 CA 129925 8/2010
 CA 132038 8/2010
 CA 133836 8/2010
 CA 136293 8/2010
 CA 136625 3/2011
 CA 136626 3/2011
 CA 136627 3/2011
 CA 137487 5/2011
 CA 139727 11/2011
 CA 141547 2/2012
 EP 1502871 A2 2/2005
 EP 1502871 B1 8/2007

* cited by examiner

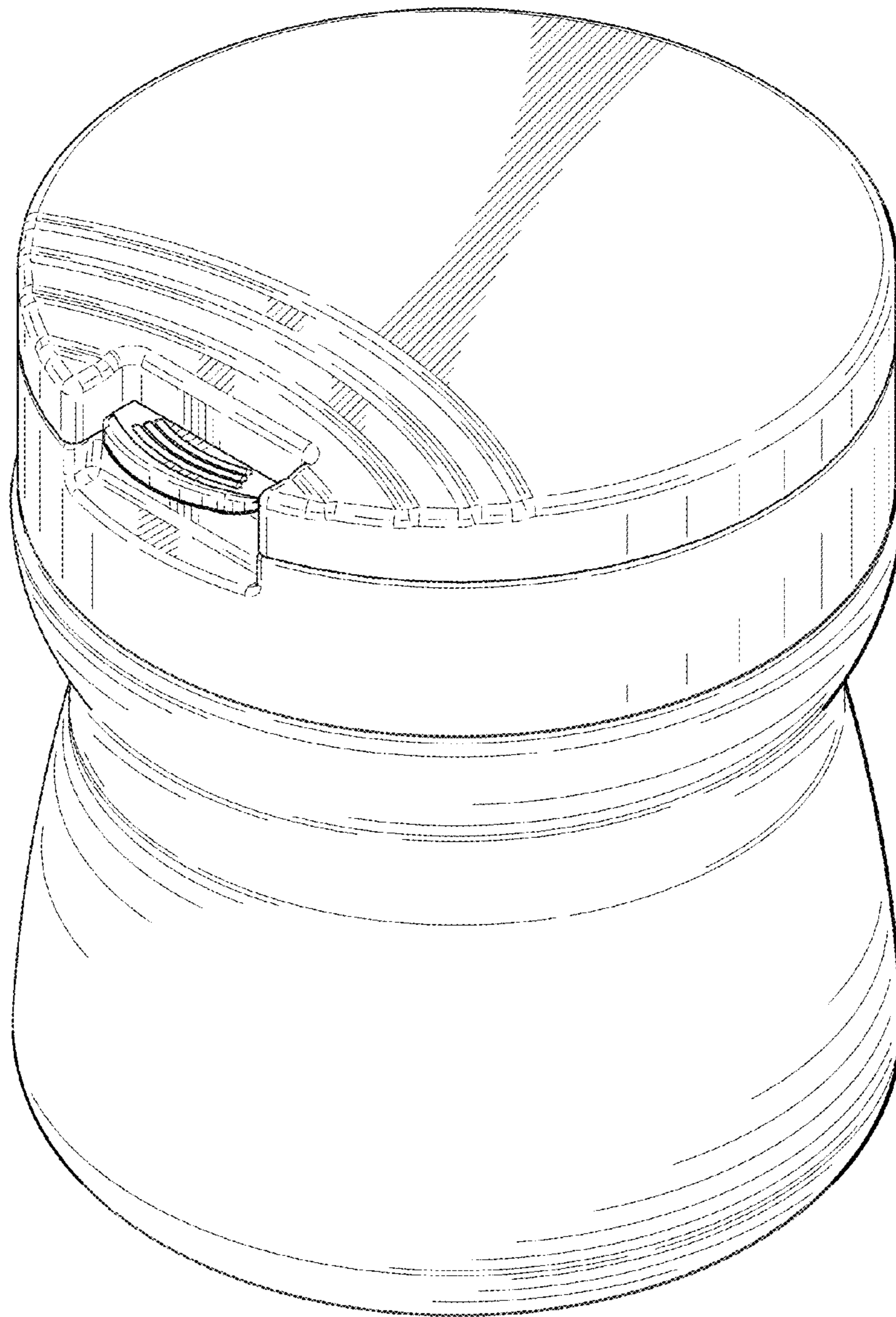


FIG. 1

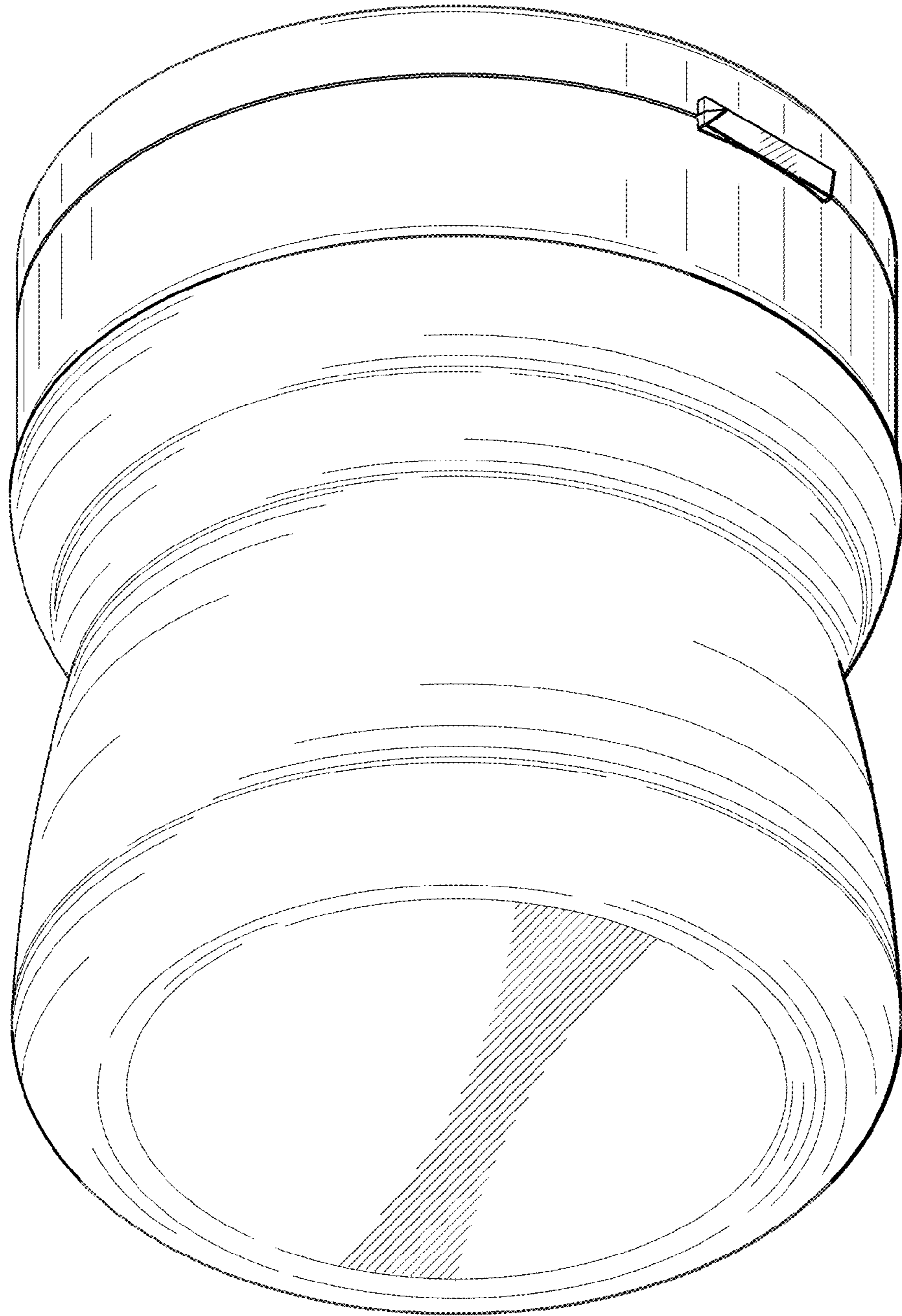


FIG. 2

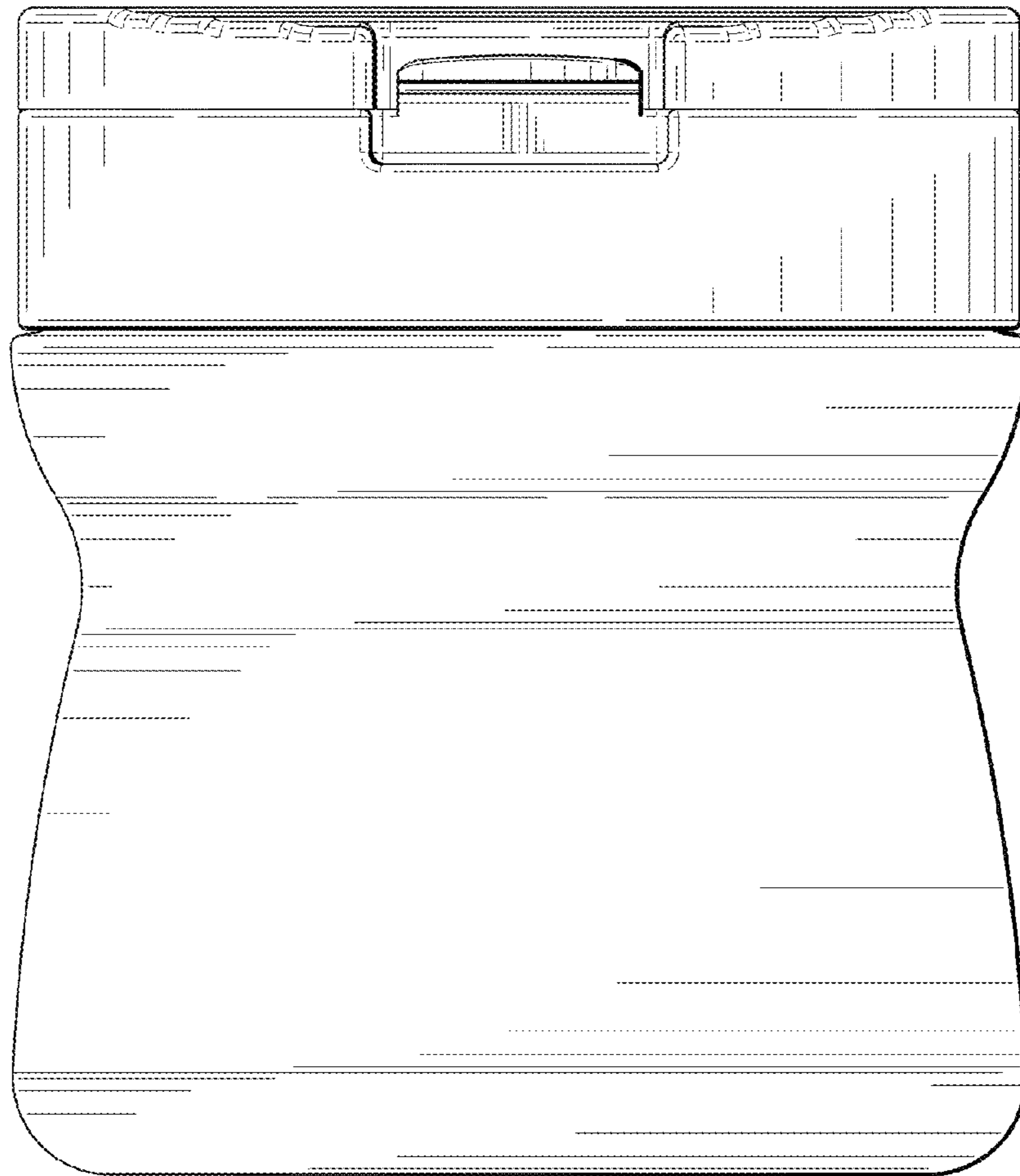


FIG. 3

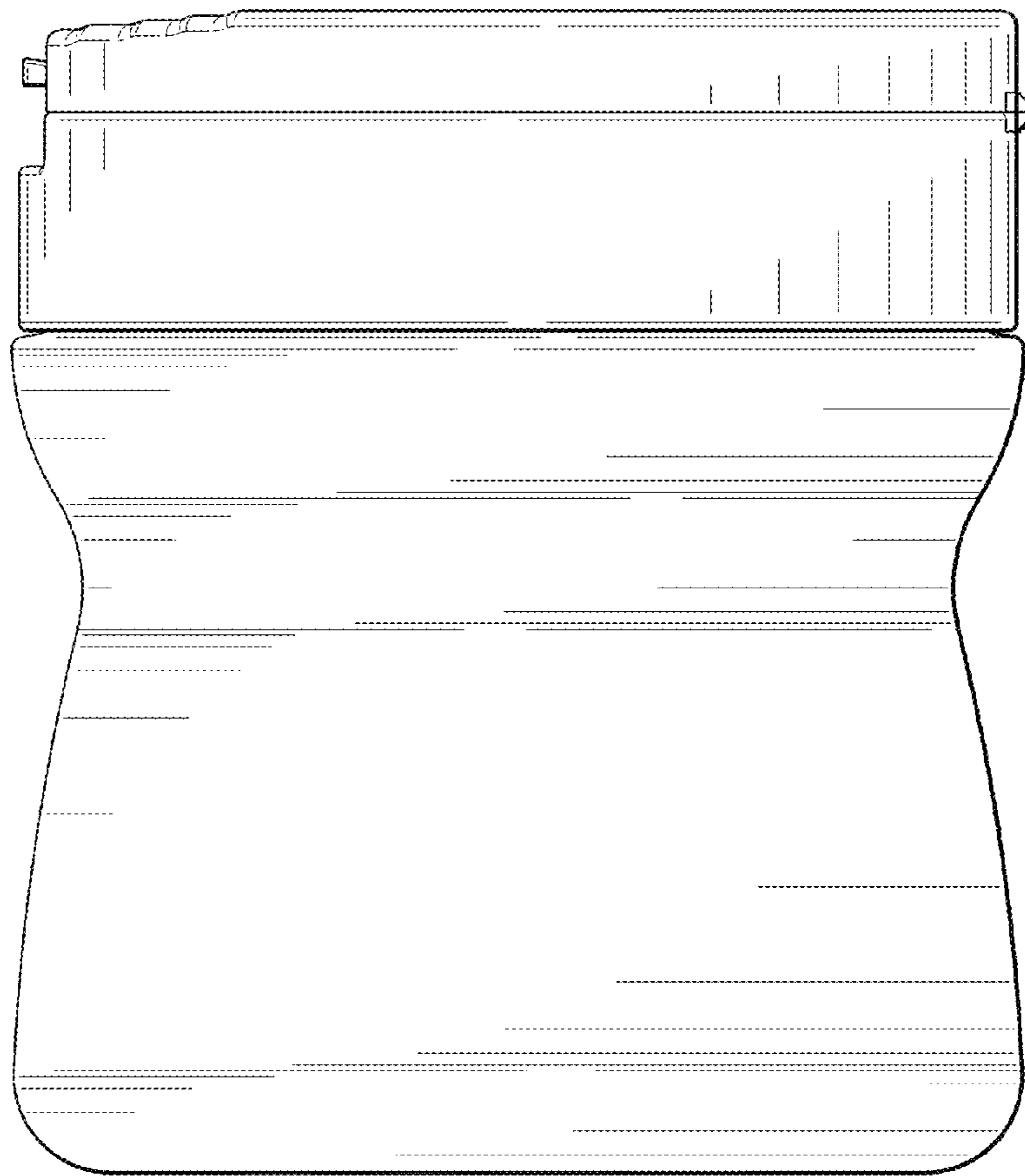


FIG. 4

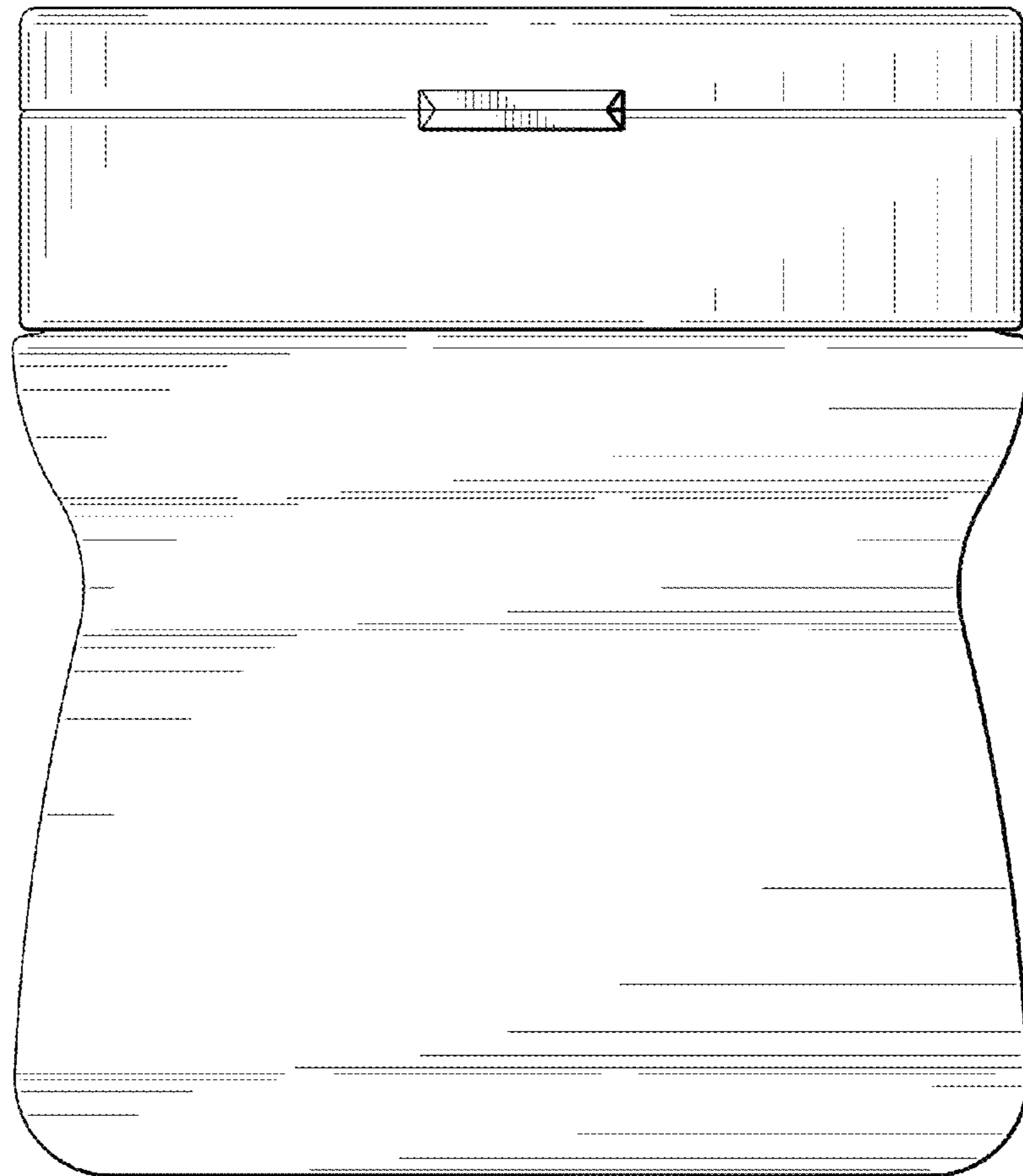


FIG. 5

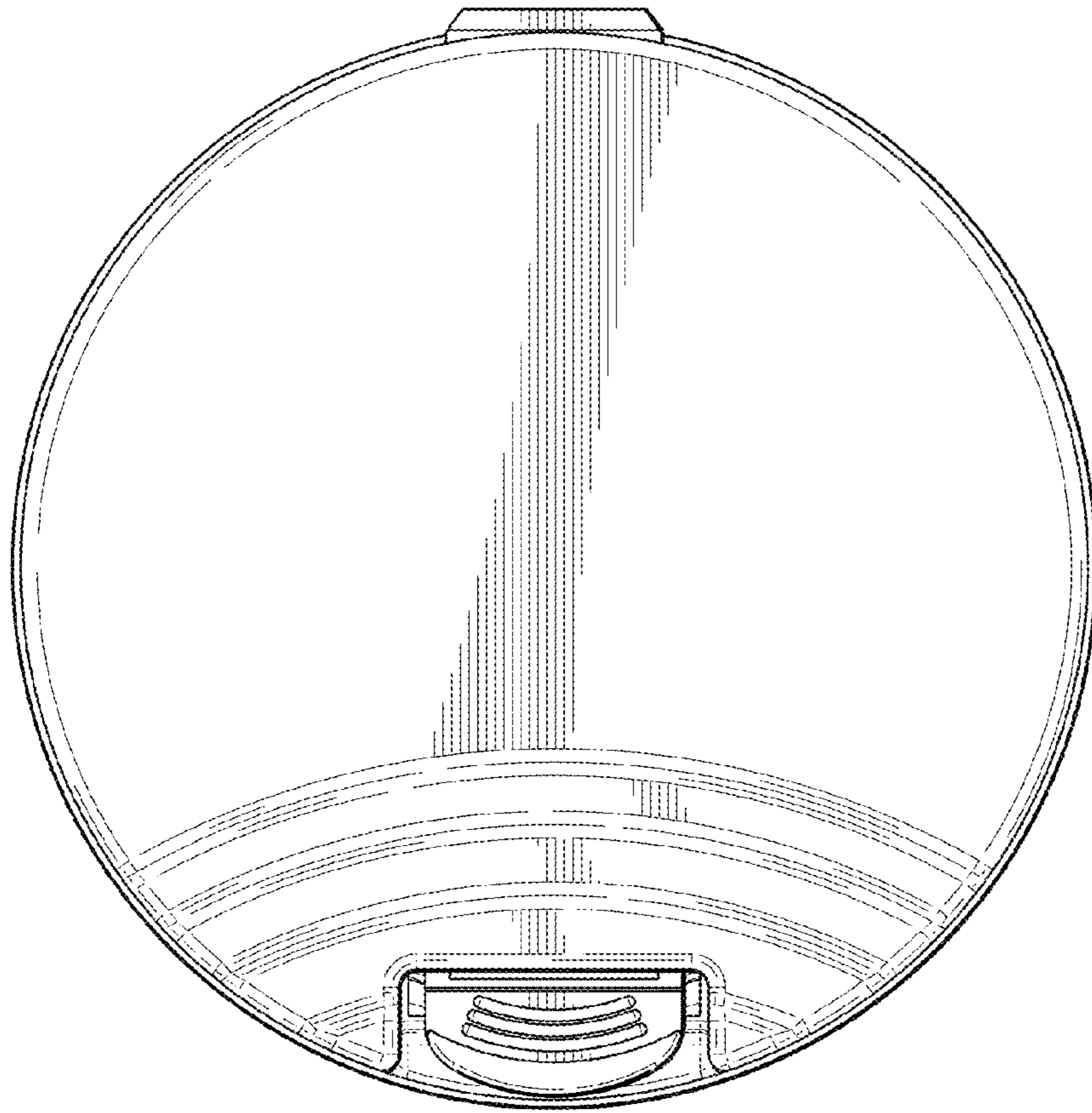


FIG. 6

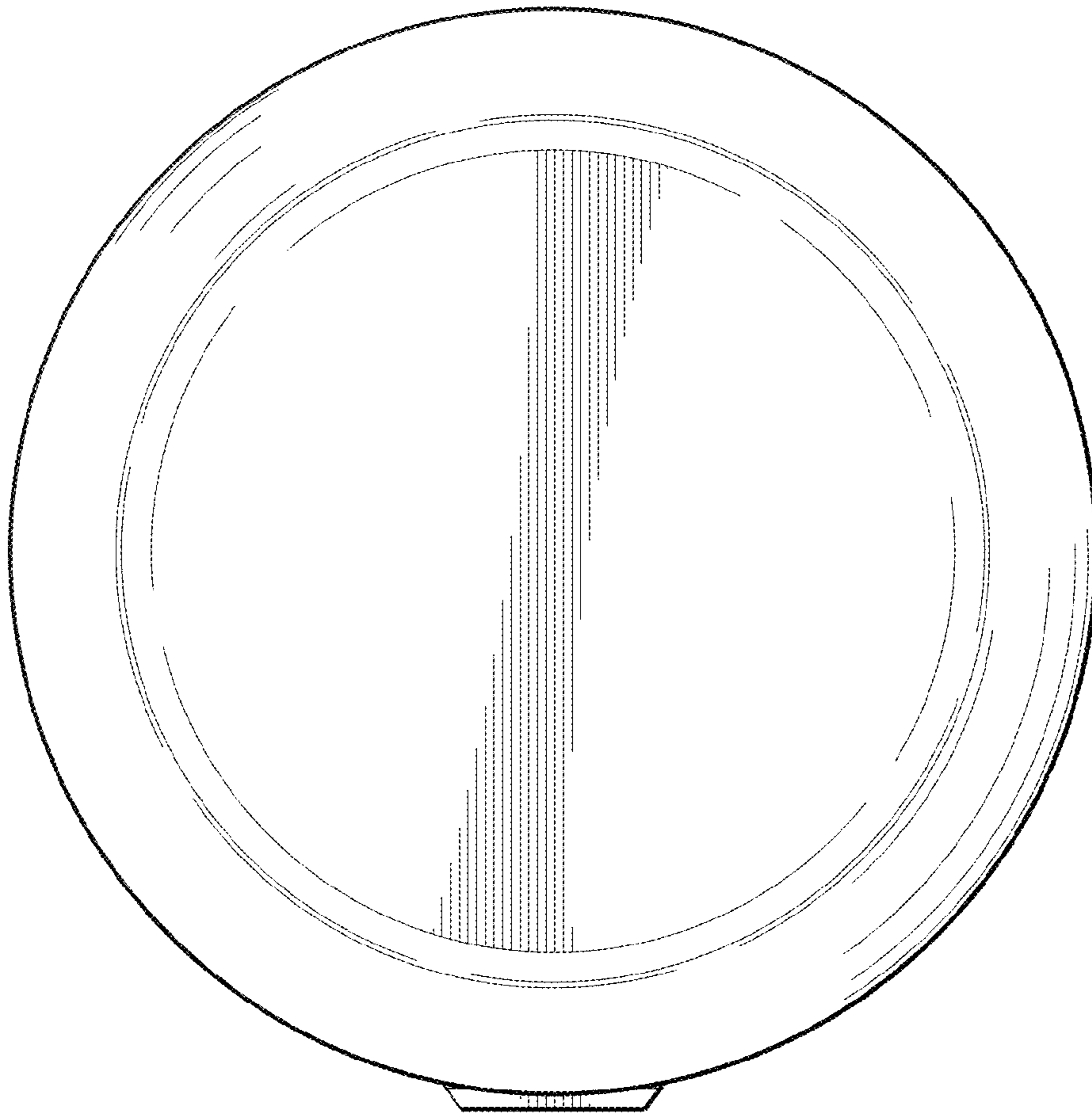


FIG. 7