



US00D716658S

(12) **United States Design Patent**
Sillince

(10) **Patent No.:** **US D716,658 S**

(45) **Date of Patent:** **** Nov. 4, 2014**

(54) **DISPENSING VALVE**

(71) Applicant: **Swift Montana Limited**, Onchan (IM)

(72) Inventor: **Mark Sillince**, Littlehampton (GB)

(73) Assignee: **Swift Montana Limited**, Onchan (IM)

(**) Term: **14 Years**

(21) Appl. No.: **29/466,018**

(22) Filed: **Sep. 4, 2013**

(51) **LOC (10) Cl.** **09-07**

(52) **U.S. Cl.**
USPC **D9/447**

(58) **Field of Classification Search**
USPC D6/452-545; D7/300, 321, 392.1,
D7/396.2, 500, 507, 509, 510, 511, 900;
D9/434-448, 452-455, 682, 685, 694;
215/200, 235, 236, 252, 254, 329,
215/355-364; 220/203.04-203.07, 220,
220/254.1, 254.4, 556, 703, 704, 705

See application file for complete search history.

(56) **References Cited**

U.S. PATENT DOCUMENTS

442,743	A	*	12/1890	Bennetts	215/227
D136,098	S	*	8/1943	Hartman	D9/447
D179,333	S	*	11/1956	Tupper	D9/447
2,816,548	A	*	12/1957	Tupper	215/11.1
3,552,605	A	*	1/1971	Hein	222/207
D219,900	S	*	2/1971	van Lelyveld	D28/51
D272,468	S	*	1/1984	Bulgarelli et al.	D24/155
D292,672	S	*	11/1987	Duell	D4/114
4,903,855	A	*	2/1990	Ducay et al.	220/802

D327,430	S	*	6/1992	Farricielli	D9/443
D333,788	S	*	3/1993	Geschwender	D9/448
D385,491	S	*	10/1997	Mueller et al.	D9/446
D591,389	S	*	4/2009	Born et al.	D23/209
D592,507	S	*	5/2009	Wachman et al.	D9/443
D627,595	S	*	11/2010	Jennings	D7/392.1
D632,524	S	*	2/2011	Rosbach et al.	D7/511
D632,574	S	*	2/2011	Huntington et al.	D9/504
D654,375	S	*	2/2012	Kuboshima	D9/724
D657,254	S	*	4/2012	Wanders	D9/529
D708,518	S	*	7/2014	Ivosevic	D9/445

* cited by examiner

Primary Examiner — Robert M Spear

Assistant Examiner — Marissa Cash

(74) *Attorney, Agent, or Firm* — Kaplan Breyer Schwarz & Ottesen, LLP; Harry K. Ahn

(57) **CLAIM**

The ornamental design for dispensing valve, as shown and described herein.

DESCRIPTION

FIG. 1 is a top, front and right side perspective view of the dispensing valve;

FIG. 2 is a front view thereof, which is identical to the rear view;

FIG. 3 is a right side view thereof, which is identical to the left side view; and,

FIG. 4 is a top view thereof.

The dispensing valve will be generally used as a part of a container. In the drawings, the broken lines depict environmental subject matter only and form no part of the claimed design.

1 Claim, 2 Drawing Sheets

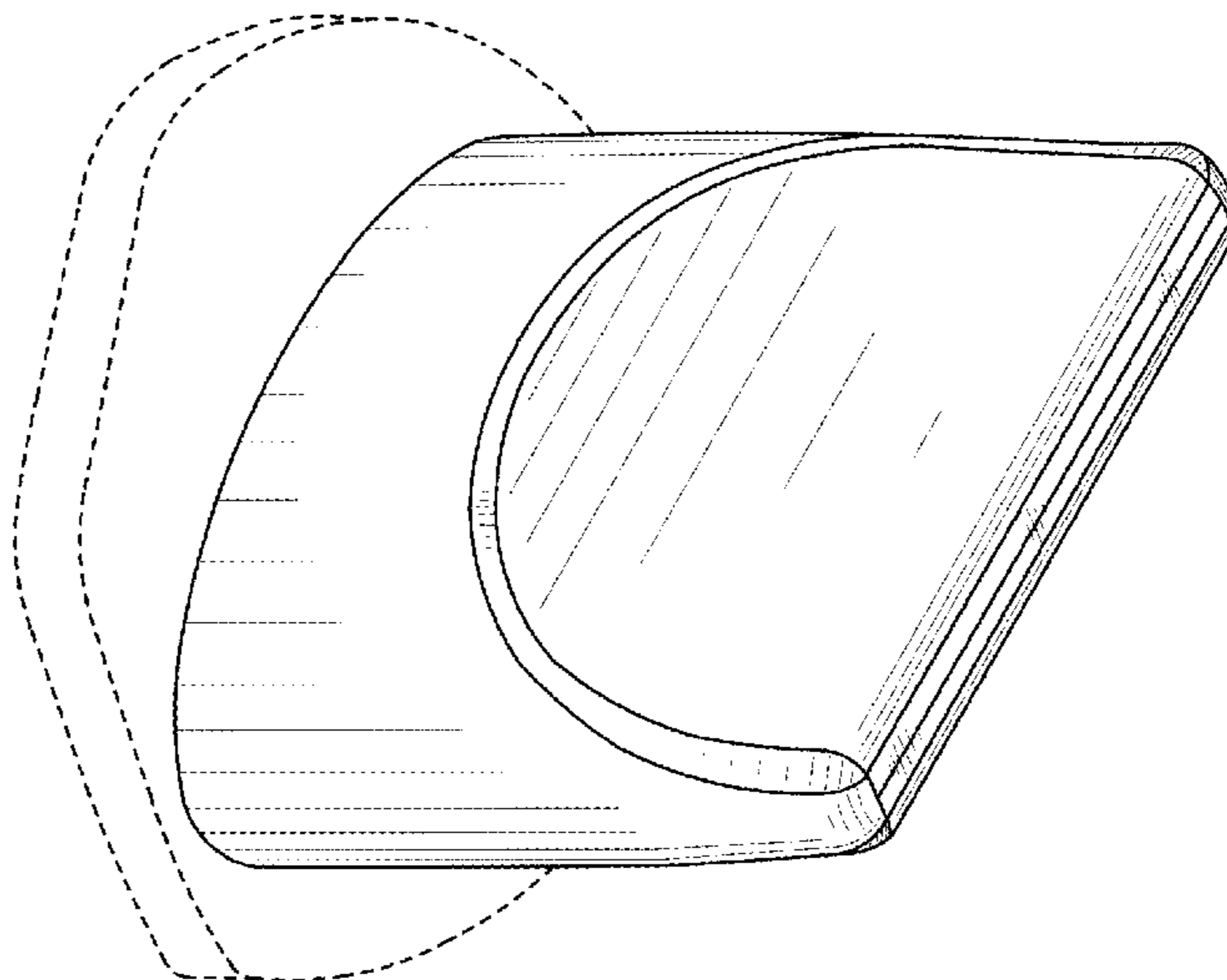


Figure 1

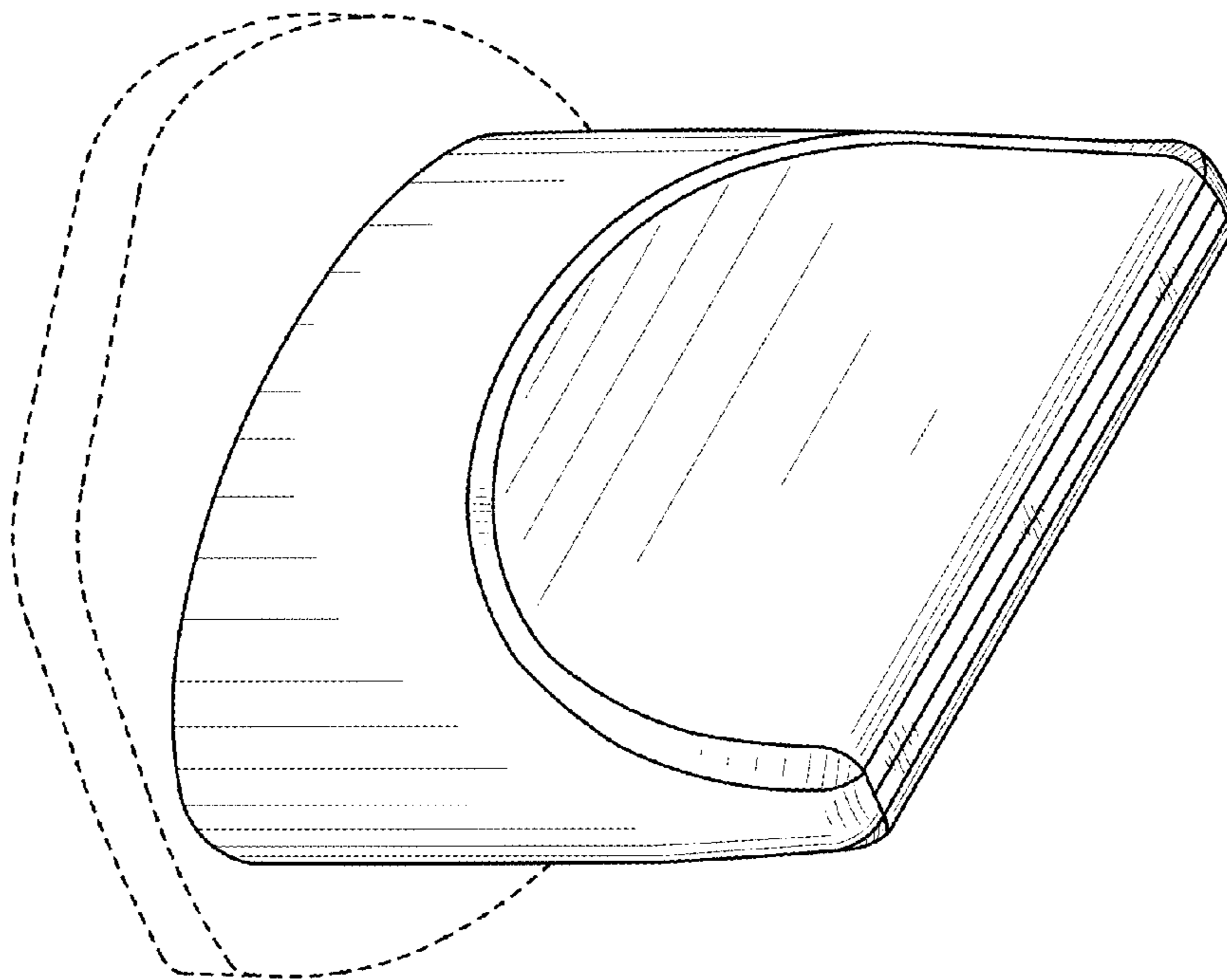


Figure 2

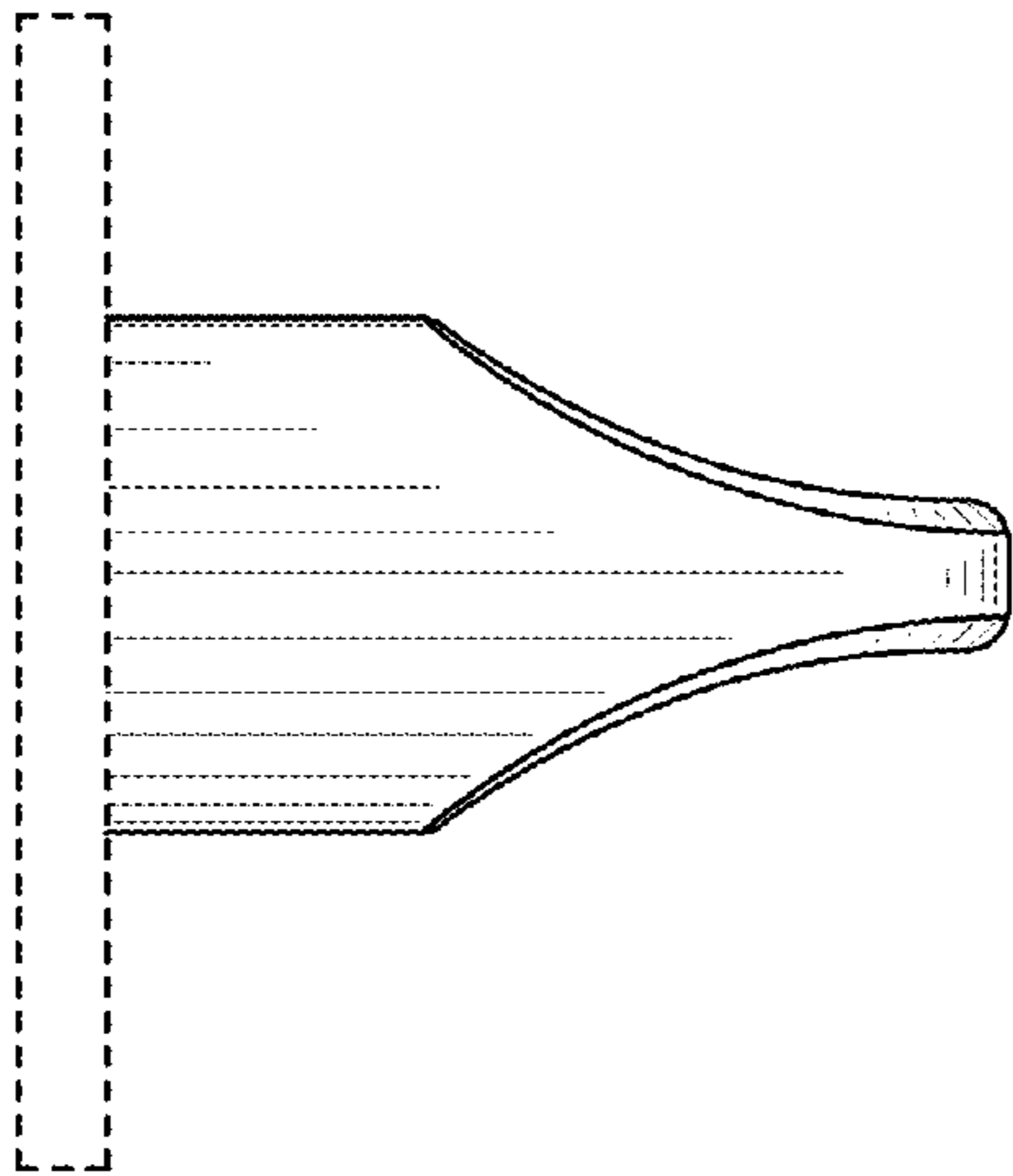


Figure 3

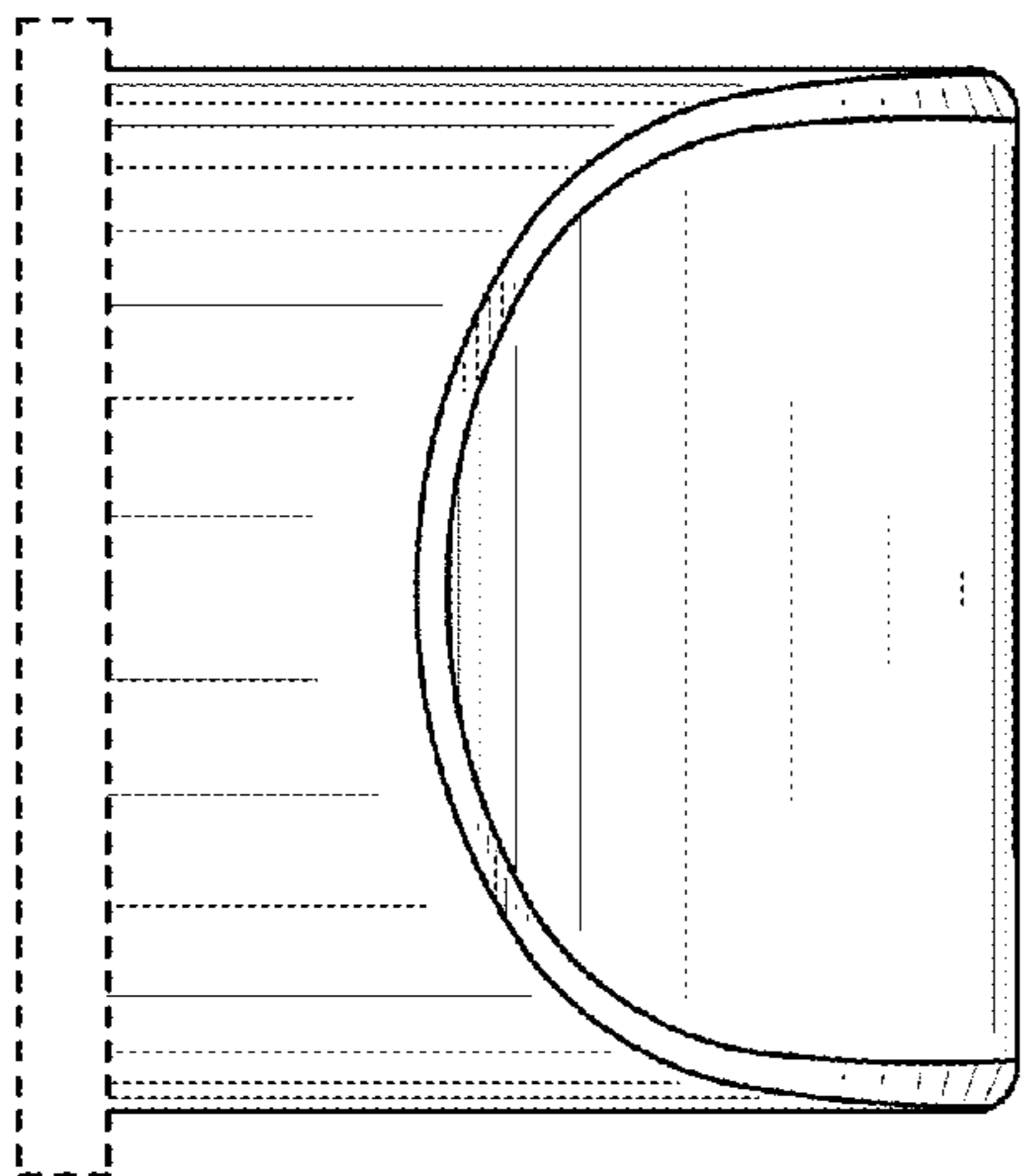


Figure 4

