



US00D716657S

(12) **United States Design Patent**
Caneer

(10) **Patent No.:** **US D716,657 S**

(45) **Date of Patent:** **** Nov. 4, 2014**

(54) **BEVERAGE CONTAINER CAP**

3,964,631 A 6/1976 Albert
3,967,748 A 7/1976 Albert
3,972,443 A 8/1976 Albert

(71) Applicant: **CamelBak Products, LLC**, Petaluma,
CA (US)

(Continued)

(72) Inventor: **Greg Caneer**, Mill Valley, CA (US)

FOREIGN PATENT DOCUMENTS

(73) Assignee: **CamelBak Products, LLC**, Petaluma,
CA (US)

EP 2220977 A2 8/2010
WO WO 2012/068033 A2 5/2012
WO WO 2012/103364 A1 8/2012

(**) Term: **14 Years**

Primary Examiner — Robert M Spear
Assistant Examiner — Darcey E Heflin

(21) Appl. No.: **29/461,855**

(74) *Attorney, Agent, or Firm* — DASCENZO Intellectual
Property Law, P.C.

(22) Filed: **Jul. 29, 2013**

(51) **LOC (10) Cl.** **09-07**

(57) **CLAIM**

The ornamental design for a beverage container cap, as shown
and described.

(52) **U.S. Cl.**

DESCRIPTION

USPC **D9/443**

(58) **Field of Classification Search**

USPC D7/300.1, 302, 398.1, 602, 605, 608,
D7/622; D9/435, 436, 440, 443, 445, 447,
D9/449, 454, 455, 499, 530, 534, 537, 719,
D9/742, 753; 206/142, 143, 154, 156;
215/45, 206, 224, 240, 258, 305, 387,
215/390, 396, 398.1; 220/710.5, 711, 757,
220/762, 764; 222/111, 519, 601, 602

See application file for complete search history.

FIG. 1 is a front, top, left isometric view of the new design.
FIG. 2 is a rear, top, left isometric view of the new design.
FIG. 3 is a left side view of the new design.
FIG. 4 is a right side view of the new design.
FIG. 5 is a front view of the new design.
FIG. 6 is a rear view of the new design.
FIG. 7 is a top view of the new design.
FIG. 8 is a bottom view of the new design.
FIG. 9 is a front, top, left isometric view of the new design,
shown together with an associated liquid container; and,
FIG. 10 is a left side view of the new design, shown together
with an associated liquid container, and with the right side
view being the mirror image thereof.

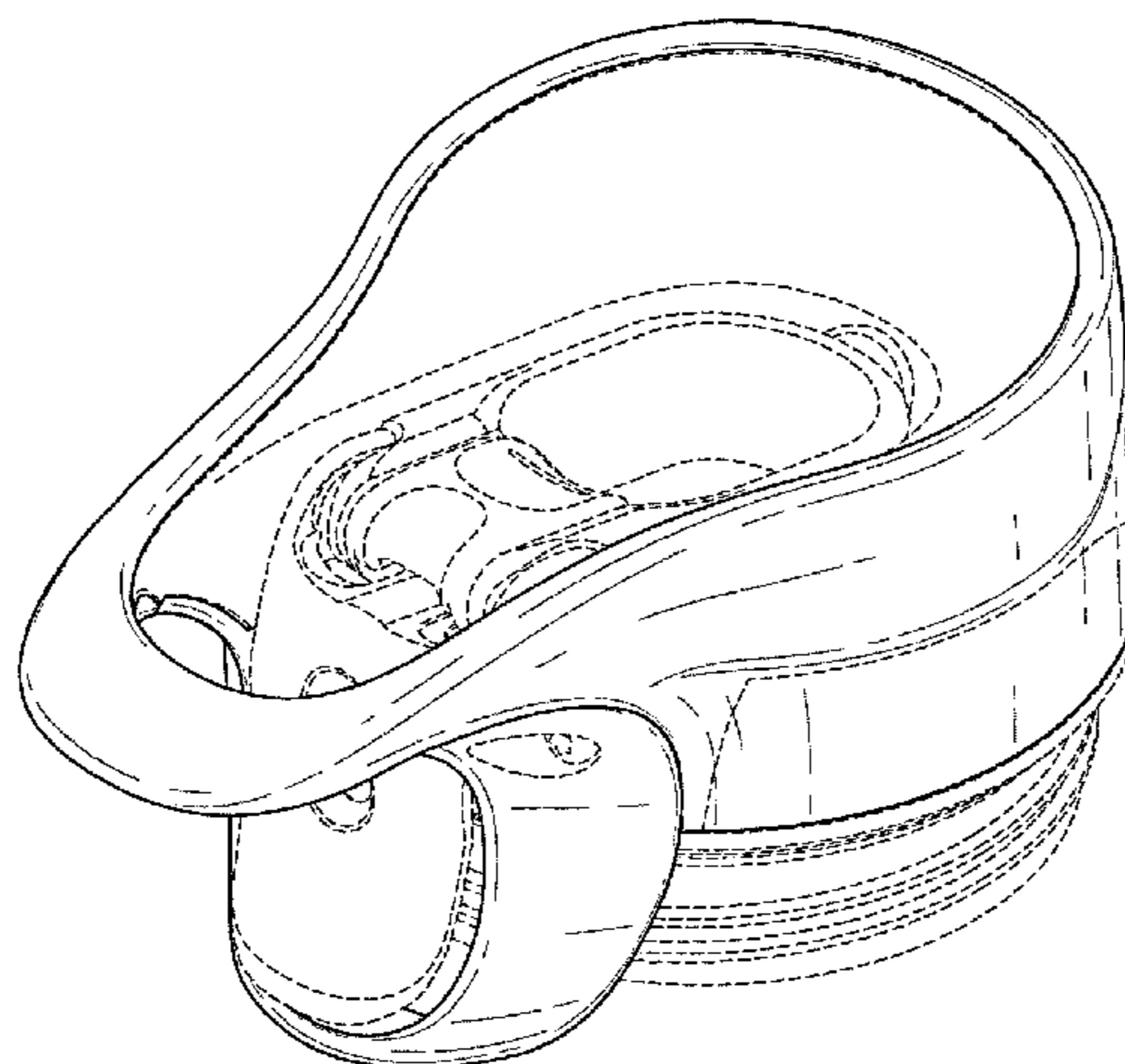
(56) **References Cited**

U.S. PATENT DOCUMENTS

RE15,225 E 11/1921 Jarvis
2,154,346 A 4/1939 Mills
2,447,870 A 8/1948 Polcyn
2,516,513 A 7/1950 Gall, Jr.
2,578,201 A 12/1951 Nicorvo
2,751,130 A 6/1956 Murphy
2,884,157 A 4/1959 Lampkin
3,059,816 A 10/1962 Goldstein
3,847,311 A 11/1974 Flores et al.

The dashed lines shown in the drawings illustrate portions of
the beverage container cap (e.g., the drink spout closure and
trigger) that form no part of the presently claimed design
(FIGS. 1-10) and illustrate environmental structure of an
associated liquid container (FIGS. 9-10) that forms no part of
the presently claimed design.

1 Claim, 6 Drawing Sheets



(56)

References Cited

U.S. PATENT DOCUMENTS

4,057,167	A	11/1977	Lee	D564,841	S	3/2008	Clemens et al.
4,094,433	A	6/1978	Numbers	7,413,096	B2	8/2008	Morgan et al.
4,099,642	A	7/1978	Nergard	7,416,093	B2	8/2008	Lin et al.
4,133,446	A	1/1979	Albert	D581,727	S	12/2008	Pinelli et al.
4,136,799	A	1/1979	Albert	7,513,380	B2	4/2009	Canedo
4,212,408	A	7/1980	Valenzona	D592,456	S	5/2009	Pinelli et al.
4,276,992	A	7/1981	Susich	D592,905	S *	5/2009	Pinelli et al. D7/396.2
4,303,173	A	12/1981	Nergard	D592,913	S *	5/2009	Pinelli et al. D7/608
4,561,560	A	12/1985	Lyon	7,533,783	B2	5/2009	Choi et al.
4,676,411	A	6/1987	Simasaki	7,546,933	B2	6/2009	Pinelli
4,712,704	A	12/1987	Ramsey et al.	7,740,147	B1	6/2010	Gilbert
5,148,936	A	9/1992	DeGrow	D624,362	S *	9/2010	Wahl D7/510
5,169,016	A	12/1992	Hinz, Jr.	D626,837	S *	11/2010	Meyers et al. D9/443
5,199,597	A	4/1993	Gladish	D626,838	S *	11/2010	Meyers et al. D9/443
5,307,950	A	5/1994	Li	D640,093	S *	6/2011	Picozza et al. D7/413
5,427,271	A	6/1995	Wang	D643,249	S	8/2011	Miller et al.
5,485,938	A	1/1996	Boersma	7,997,442	B2	8/2011	Pinelli
5,605,254	A	2/1997	Wagner, III et al.	8,056,745	B2	11/2011	Yu
5,711,452	A	1/1998	Chaffin	D651,855	S	1/2012	Elsaden et al.
6,098,834	A	8/2000	Hatsumoto et al.	D652,256	S *	1/2012	Eyal D7/510
6,336,574	B1	1/2002	Hins	8,118,184	B2	2/2012	Ruse, Jr.
D463,215	S	9/2002	Huang et al.	D656,360	S	3/2012	Miller et al.
6,557,717	B1	5/2003	Keck	D656,787	S	4/2012	Phillips et al.
6,702,138	B1	3/2004	Bielecki et al.	D657,618	S *	4/2012	Wahl D7/392.1
6,752,287	B1	6/2004	Lin	8,191,727	B2	6/2012	Davies et al.
6,752,331	B2	6/2004	Wu	8,272,532	B2	9/2012	Michaelian et al.
6,763,964	B1	7/2004	Hurlbut et al.	8,360,258	B2	1/2013	Gilbert et al.
D500,231	S	12/2004	Ward et al.	D683,581	S *	6/2013	Archer D7/392.1
D500,428	S	1/2005	Ward et al.	D700,014	S *	2/2014	Zeanah D7/510
6,935,536	B2	8/2005	Tardif	D702,079	S *	4/2014	Hung D7/392.1
D509,408	S	9/2005	Ward et al.	2004/0108336	A1	6/2004	Tardif
D515,357	S	2/2006	Ward et al.	2005/0029265	A1	2/2005	Morgan et al.
7,011,227	B2	3/2006	Ward et al.	2005/0046210	A1	3/2005	Ward et al.
D524,107	S	7/2006	El-Saden et al.	2005/0046211	A1	3/2005	Nole et al.
7,073,678	B1	7/2006	Dibdin et al.	2006/0163262	A1	7/2006	El-Saden et al.
7,195,137	B2	3/2007	Belcastro	2006/0226160	A1	10/2006	Elsaden et al.
D547,607	S *	7/2007	Forsman D7/396.2	2007/0210093	A1	9/2007	Pinelli
D557,075	S	12/2007	Lucaci et al.	2009/0250480	A1	10/2009	Pinelli
7,306,113	B2	12/2007	El-Saden et al.	2011/0309095	A1	12/2011	Pinelli
				2012/0187075	A1	7/2012	El-Saden et al.

* cited by examiner

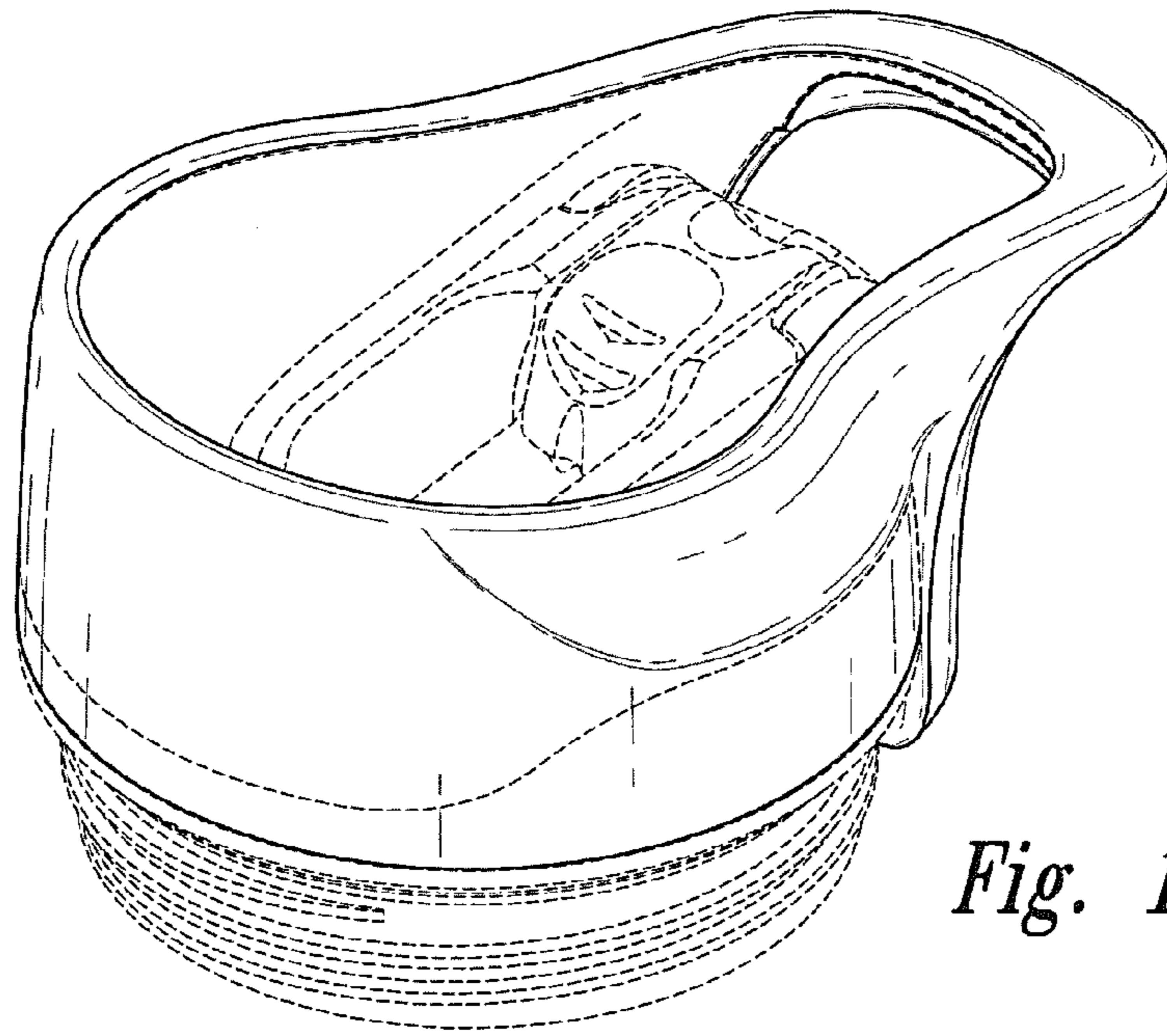


Fig. 1

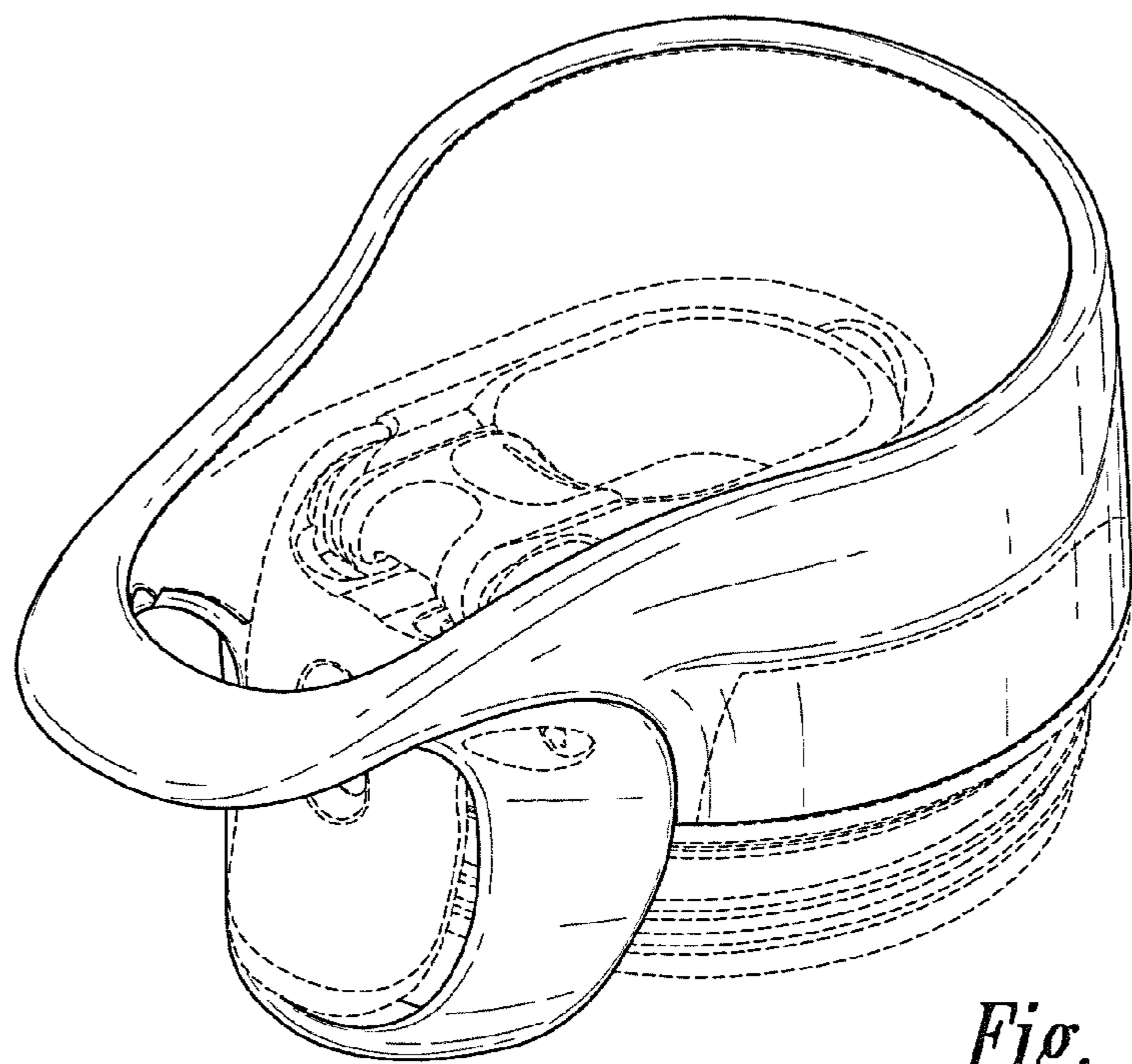


Fig. 2

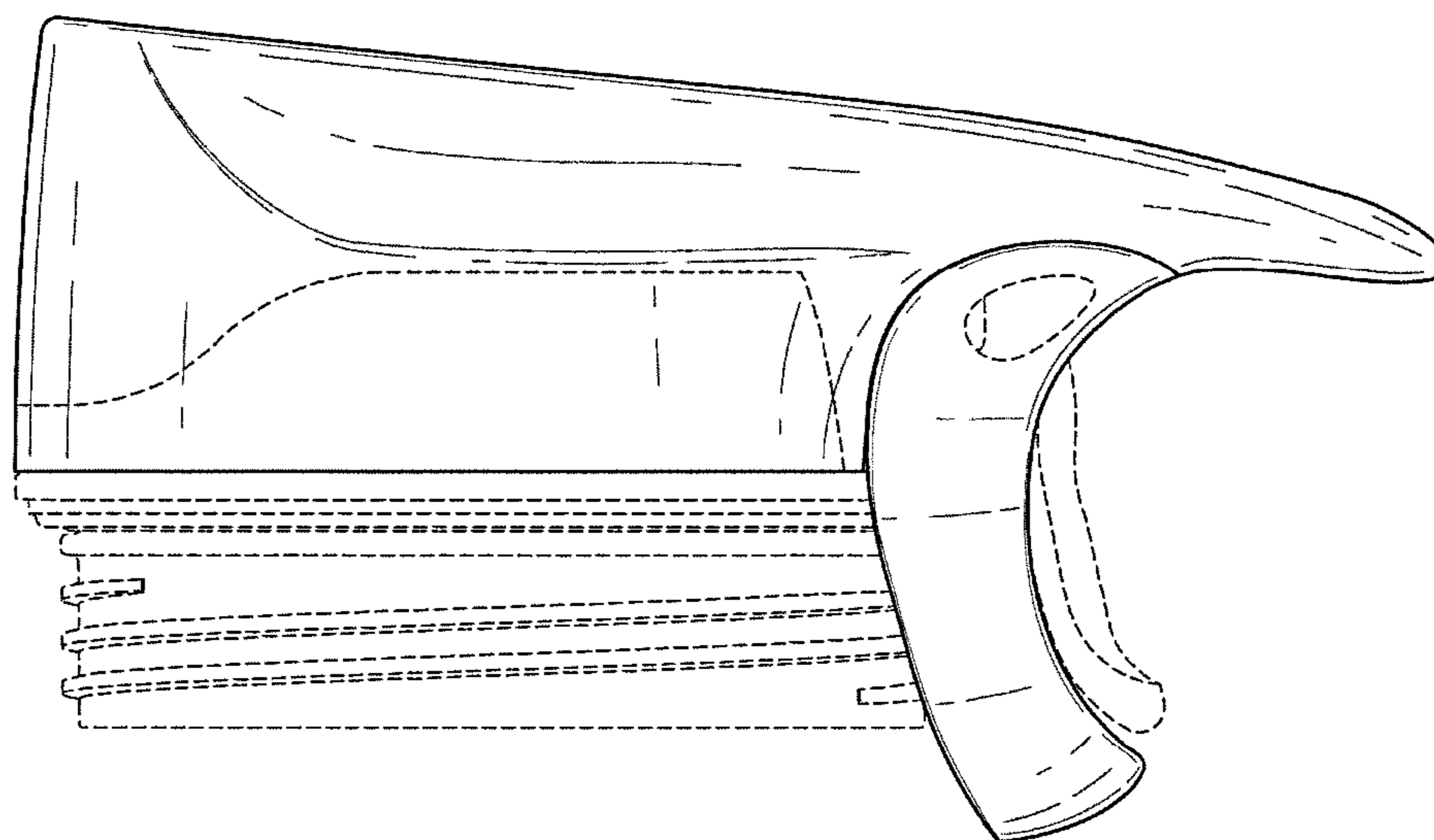


Fig. 3

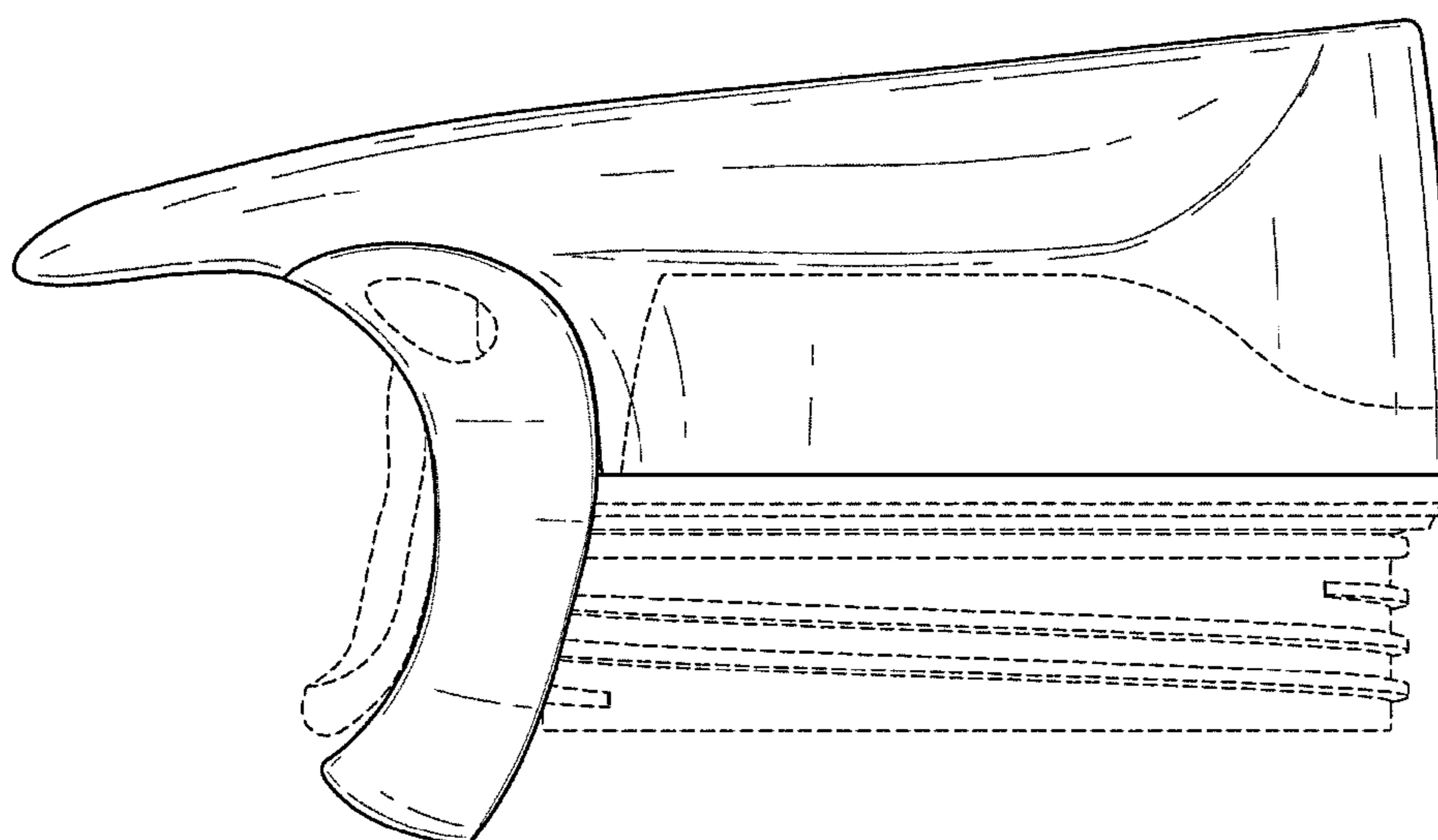


Fig. 4

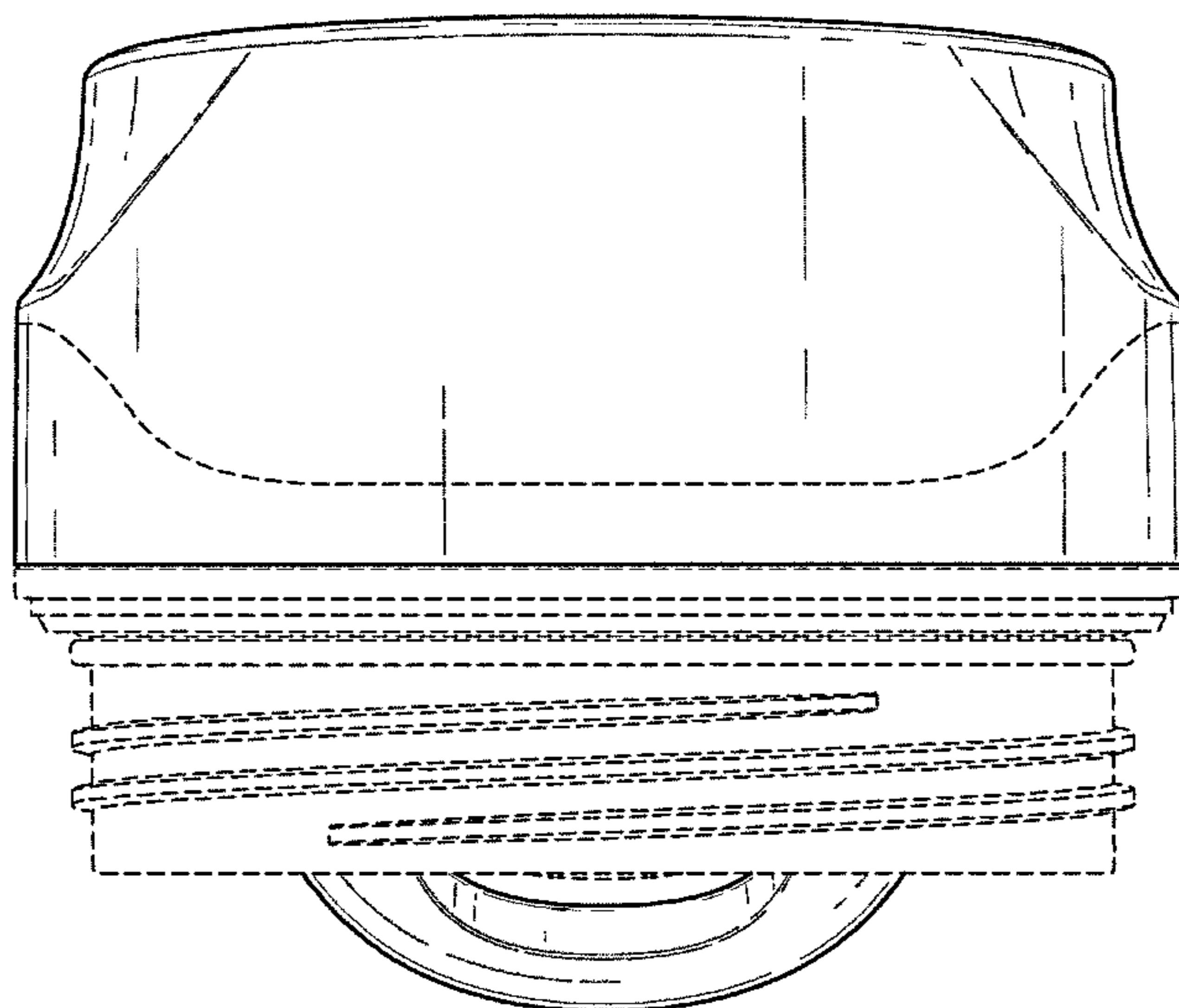


Fig. 5

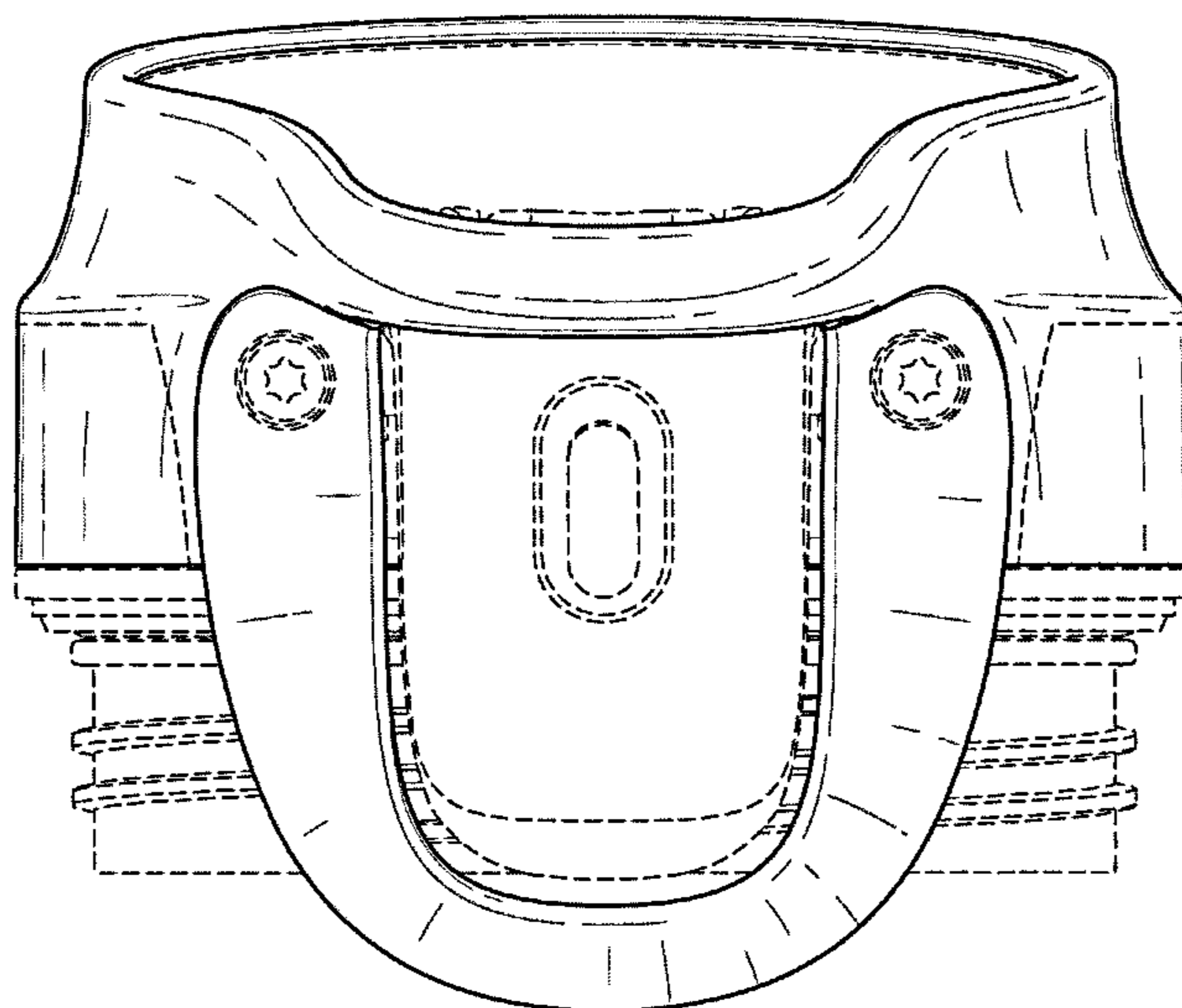


Fig. 6

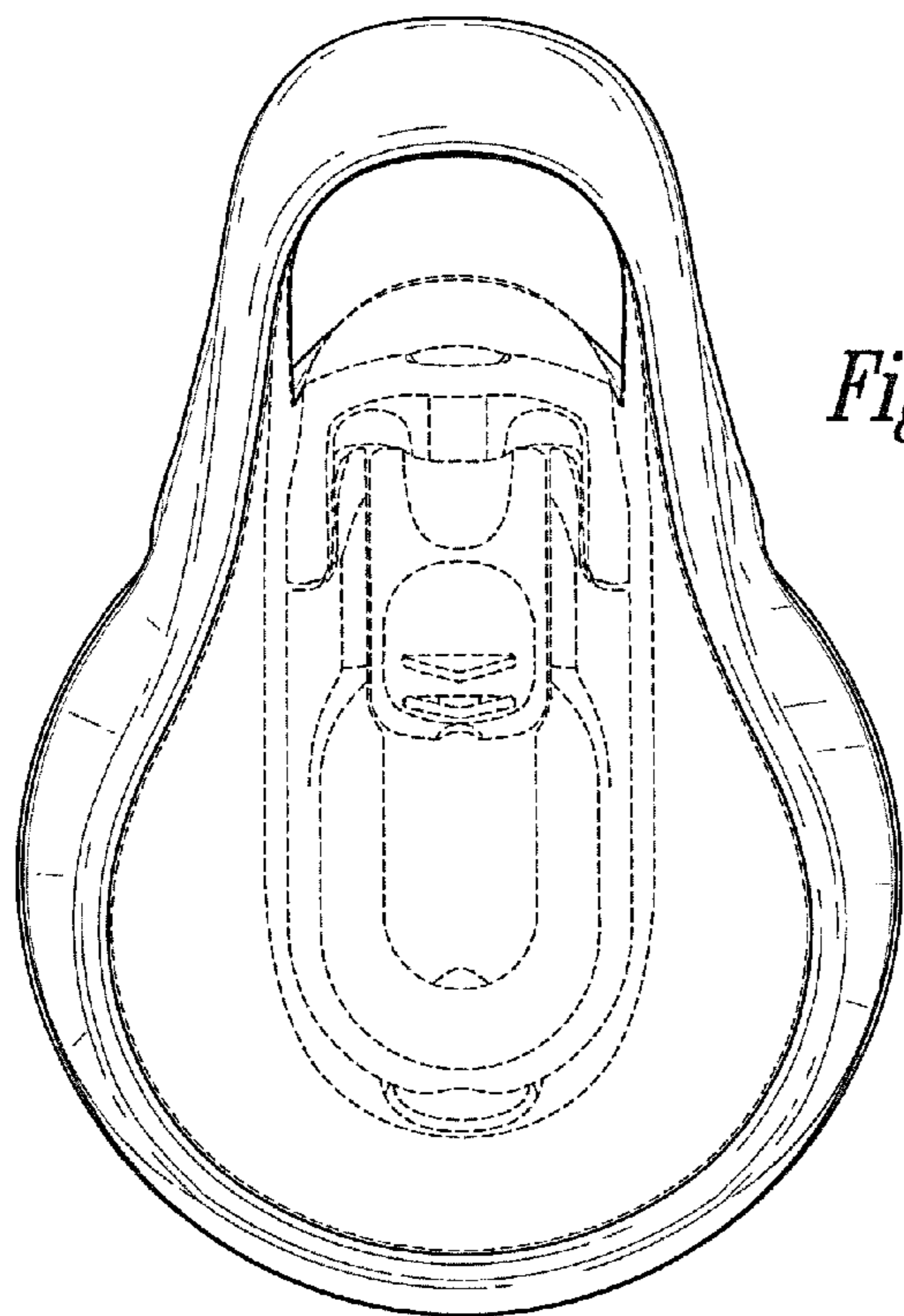


Fig. 7

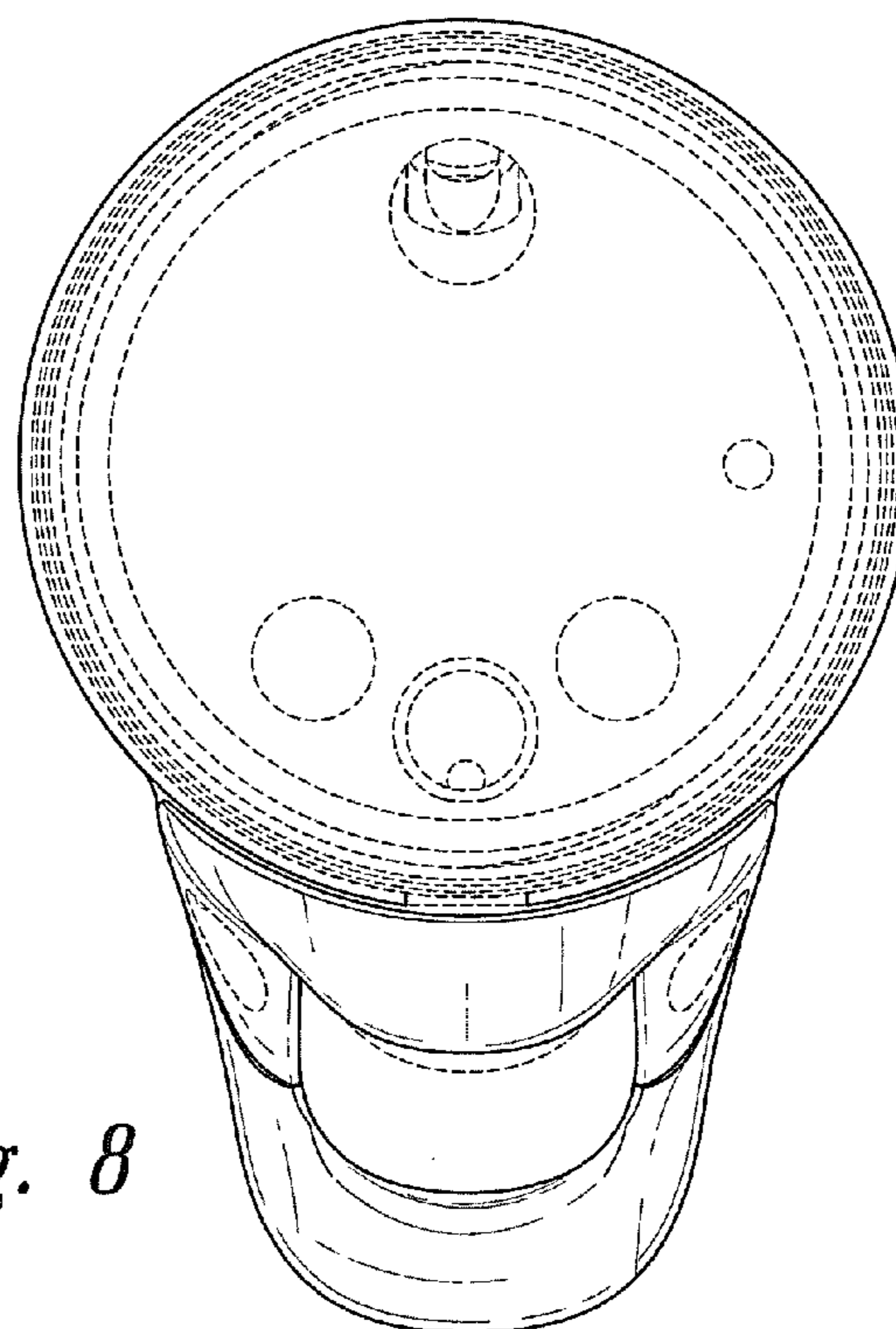


Fig. 8

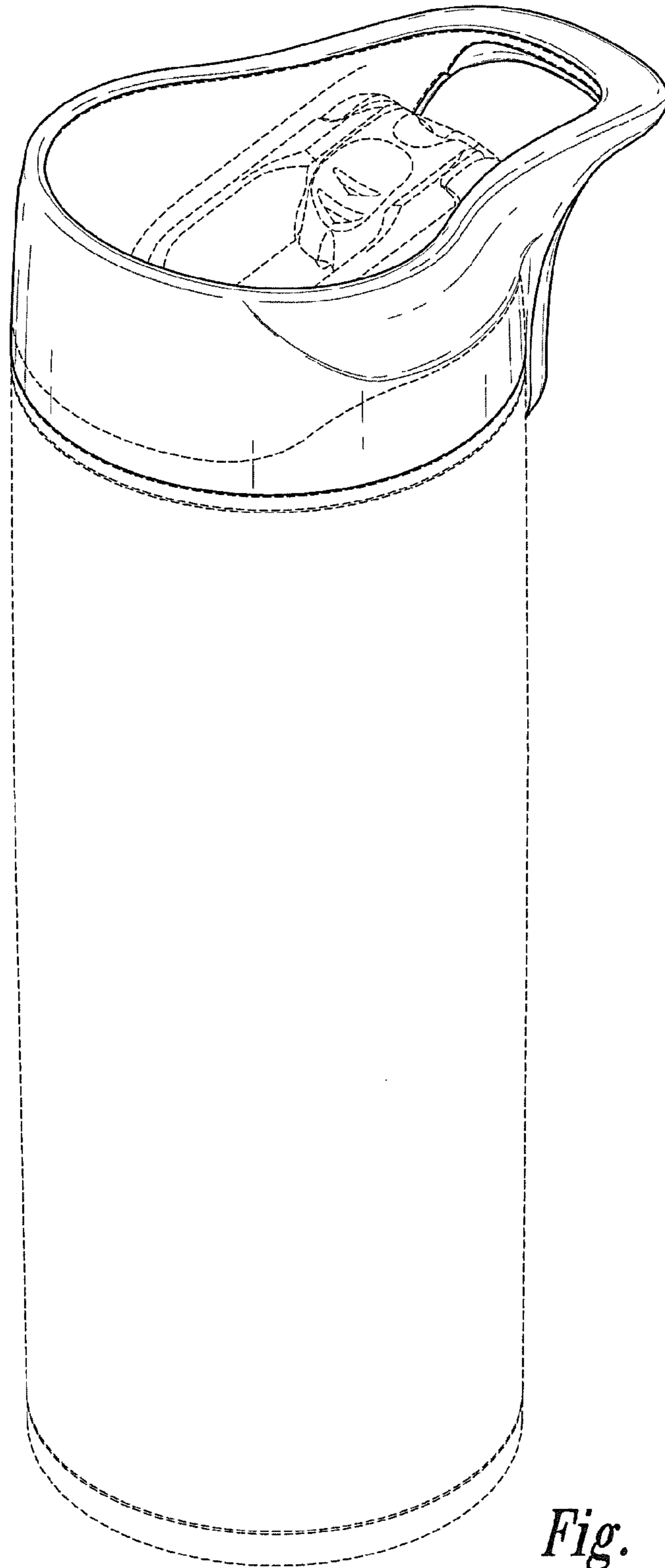


Fig. 9

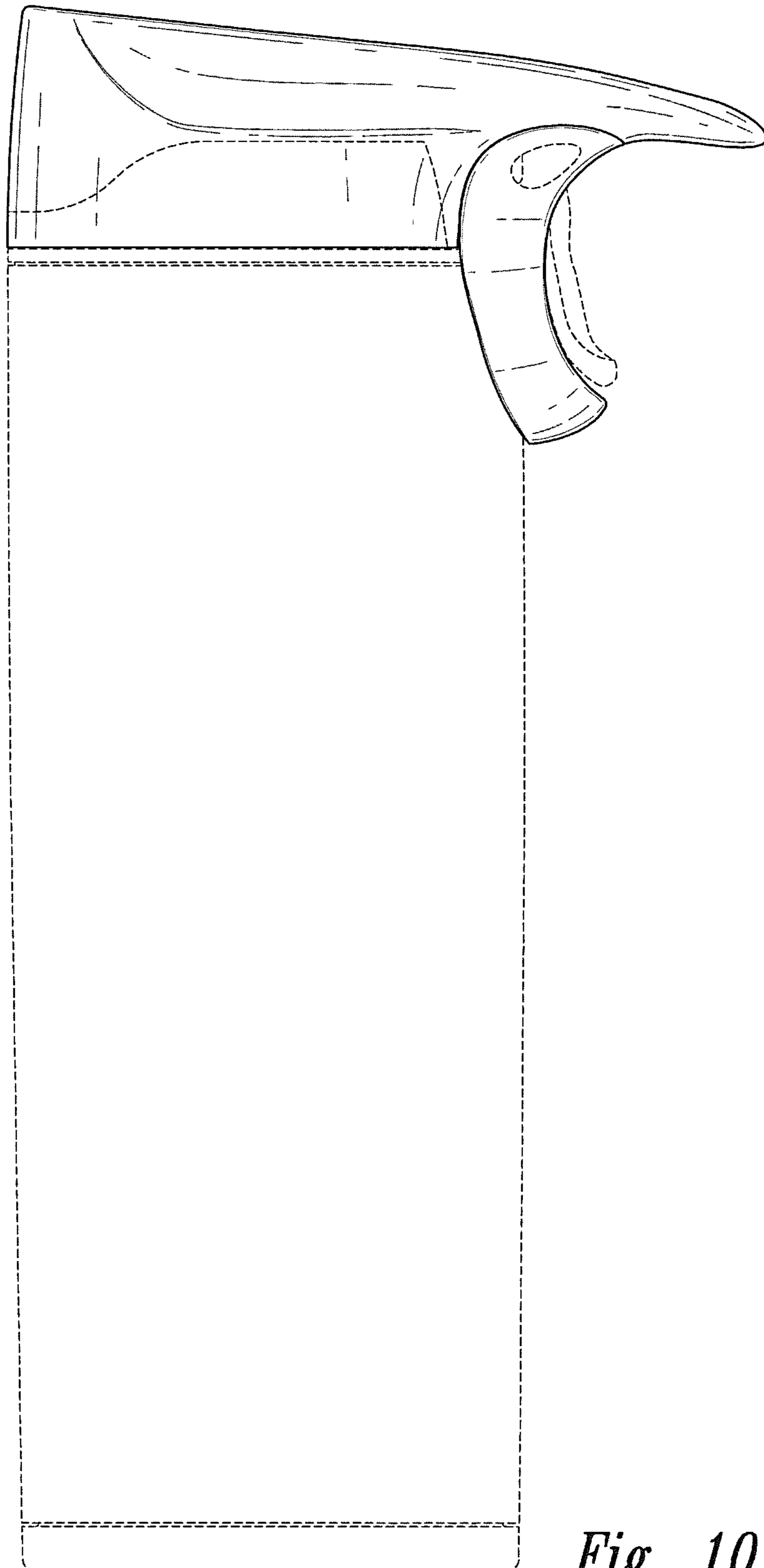


Fig. 10