



US00D716655S

(12) **United States Design Patent**
Ericson

(10) **Patent No.:** **US D716,655 S**

(45) **Date of Patent:** **** Nov. 4, 2014**

(54) **APPLICATOR**

(75) Inventor: **Malin Ericson**, New York, NY (US)

(73) Assignee: **Nine West Development LLC**, New York, NY (US)

(**) Term: **14 Years**

(21) Appl. No.: **29/413,225**

(22) Filed: **Feb. 13, 2012**
(Under 37 CFR 1.47)

(51) **LOC (10) Cl.** **09-07**

(52) **U.S. Cl.**
USPC **D9/436**

(58) **Field of Classification Search**
USPC D9/435, 436, 438, 439, 443, 445, 447,
D9/451, 452, 453, 454, 629, 705, 708,
D9/709; D24/224, 197
See application file for complete search history.

(56) **References Cited**

U.S. PATENT DOCUMENTS

D141,944 S *	7/1945	Wolff	D9/436
D182,235 S *	3/1958	Jaffe	D9/454
D421,906 S *	3/2000	Jauffret	D9/435
D425,792 S *	5/2000	Haller	D9/447
7,252,211 B2	8/2007	Bougamont		
D562,689 S	2/2008	Antretter		
7,695,209 B2	4/2010	Perignon		

OTHER PUBLICATIONS

“Love Fury” online article Oct. 22, 2011 <http://web.archive.org/save/http://thefashionreporter.com/blog/?p=30008> Retrieved on Jan. 2, 2014.*

* cited by examiner

Primary Examiner — Susan Bennett Hattan

Assistant Examiner — Leanne Was

(74) *Attorney, Agent, or Firm* — Senniger Powers LLP

(57) **CLAIM**

The ornamental design for an applicator, as shown and described.

DESCRIPTION

FIG. 1 is a perspective of an applicator of a first embodiment of the present invention; FIG. 2 is a front elevation of the applicator of FIG. 1; FIG. 3 is a right side elevation of the applicator of FIG. 1; FIG. 4 is a left side elevation of the applicator of FIG. 1; FIG. 5 is a rear elevation of the applicator of FIG. 1; FIG. 6 is a top plan of the applicator of FIG. 1; FIG. 7 is a bottom plan of the applicator of FIG. 1; FIG. 8 is a perspective of an applicator of a second embodiment of the present invention; FIG. 9 is a front elevation of the applicator of FIG. 8; FIG. 10 is a right side elevation of the applicator of FIG. 8; FIG. 11 is a left side elevation of the applicator of FIG. 8; FIG. 12 is a rear elevation of the applicator of FIG. 8; FIG. 13 is a top plan of the applicator of FIG. 8; and, FIG. 14 is a bottom plan of the applicator of FIG. 8. The broken lines in the drawings depict unclaimed features of the design.

1 Claim, 12 Drawing Sheets

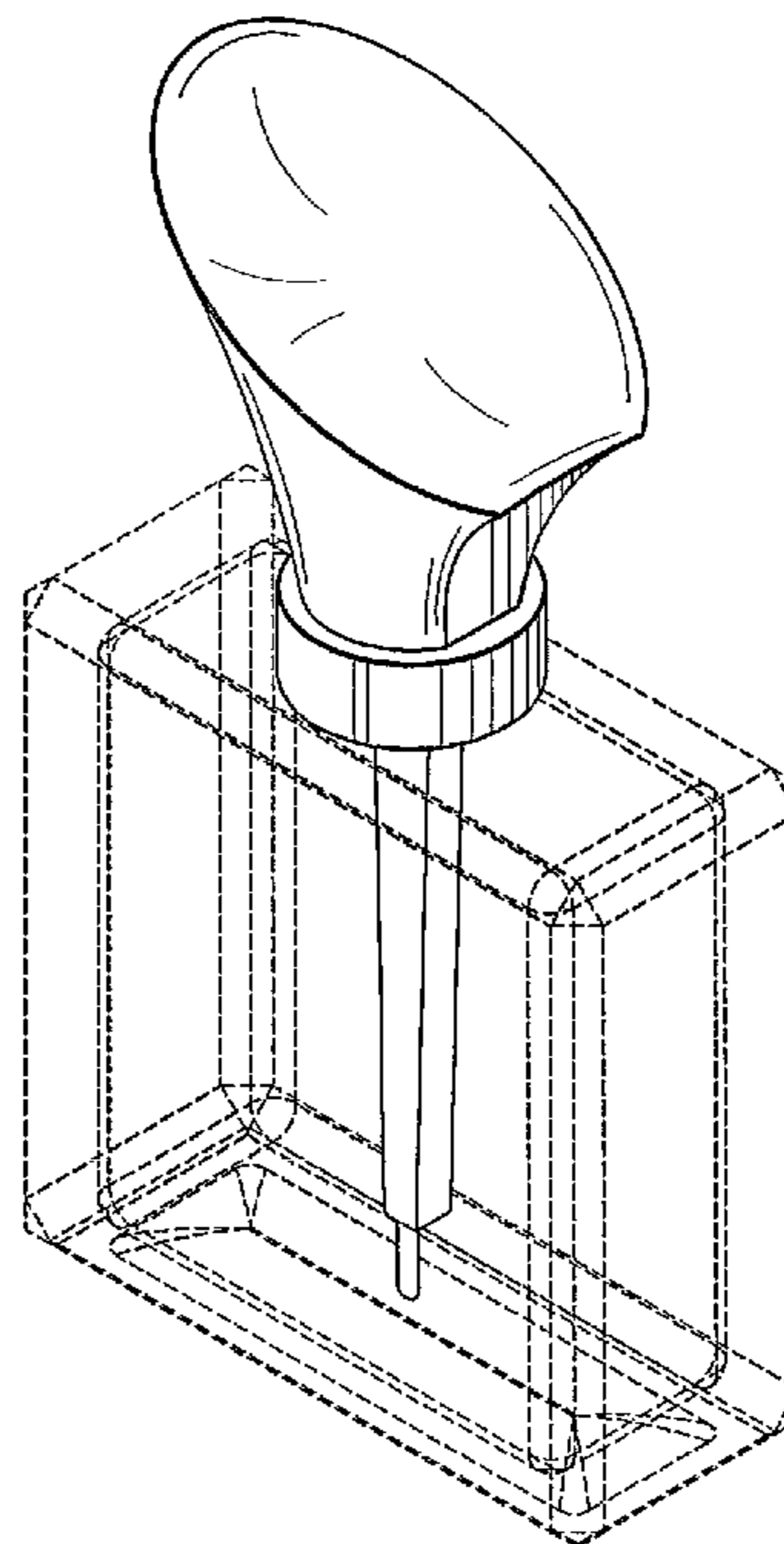
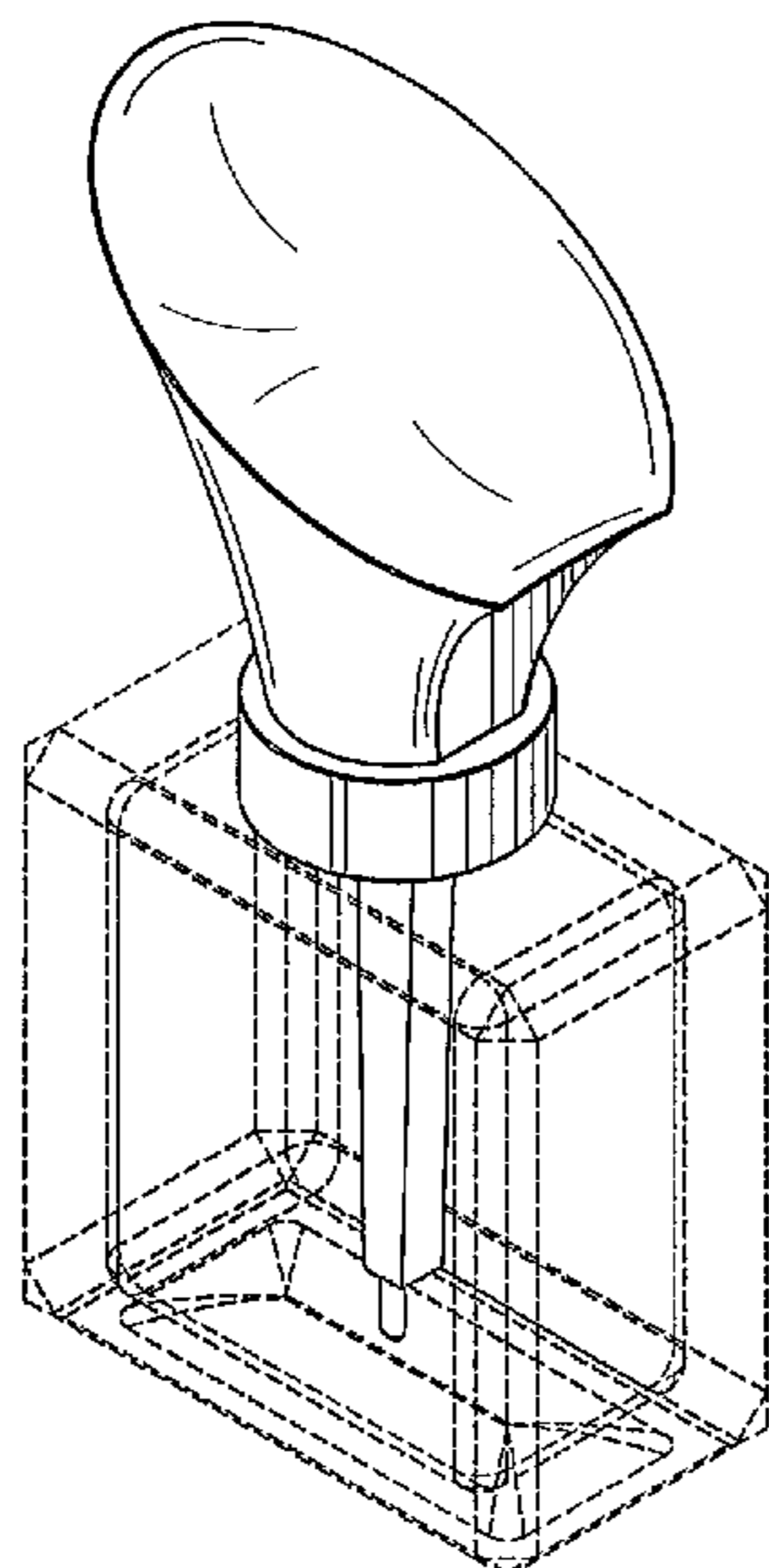


FIG. 1

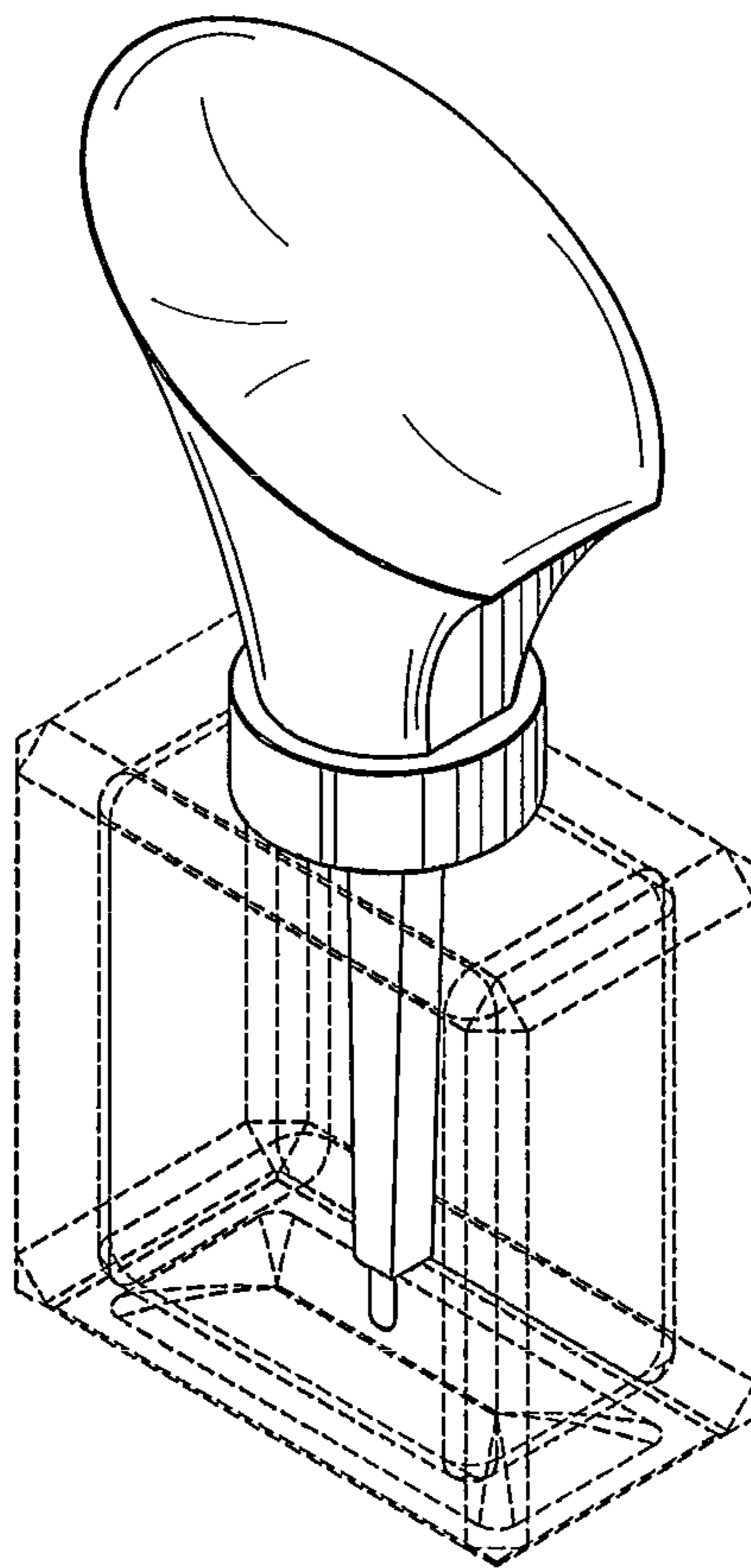


FIG. 2

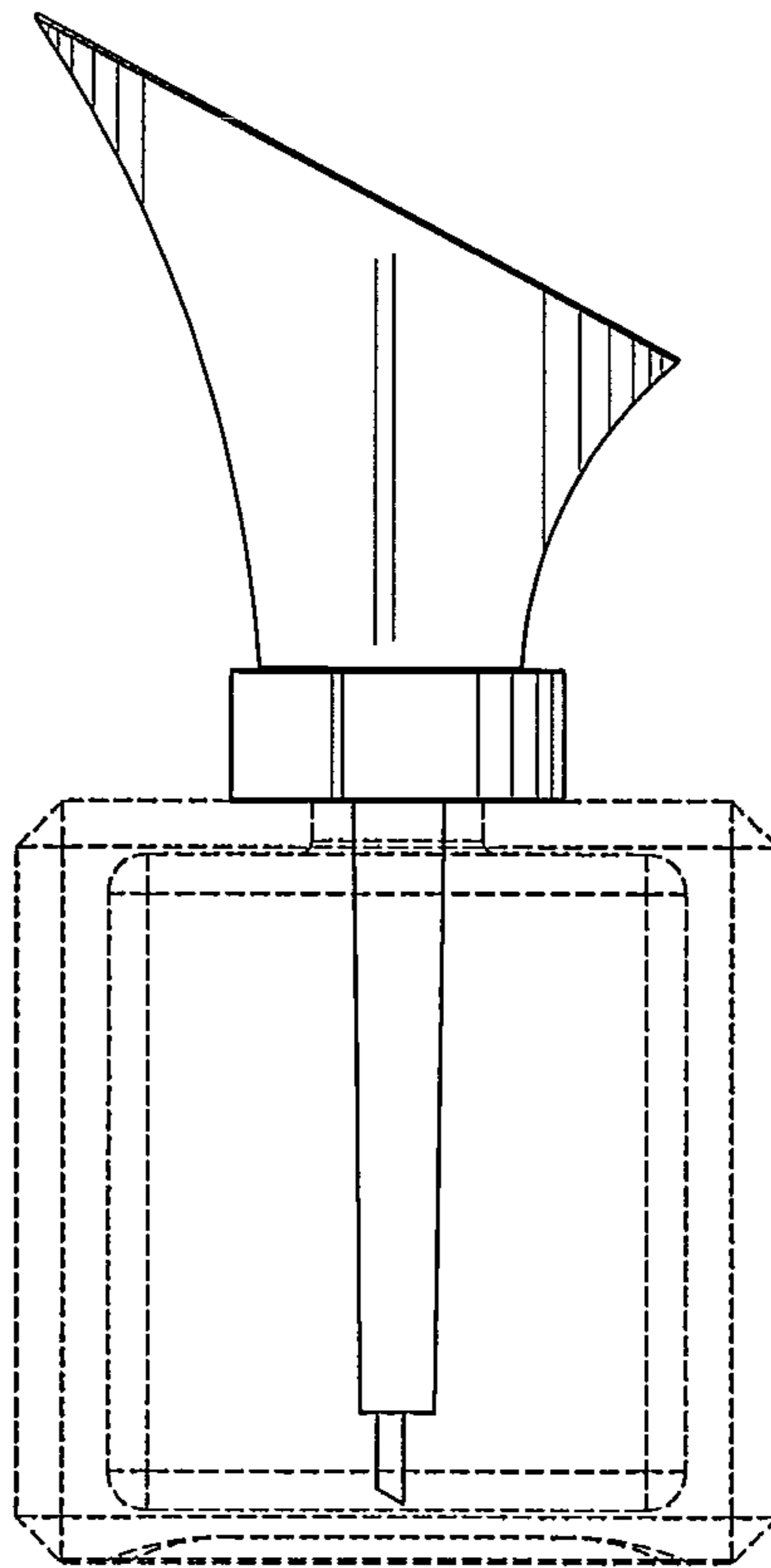


FIG. 3

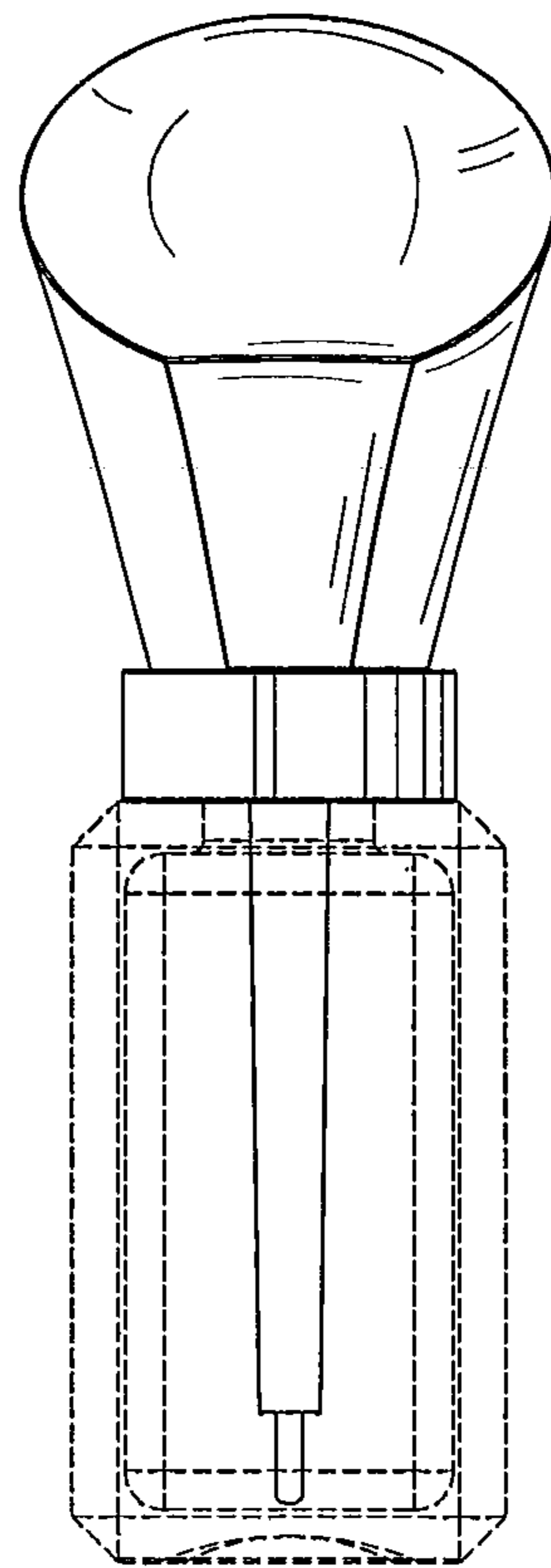


FIG. 4

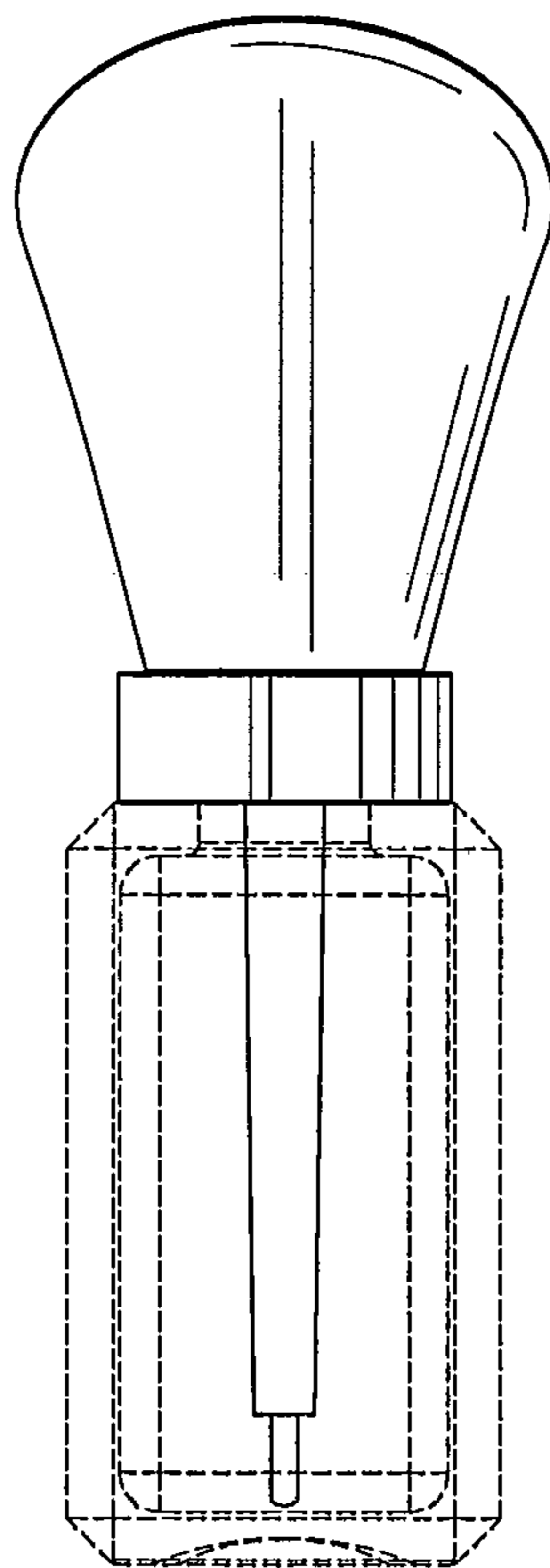


FIG. 5

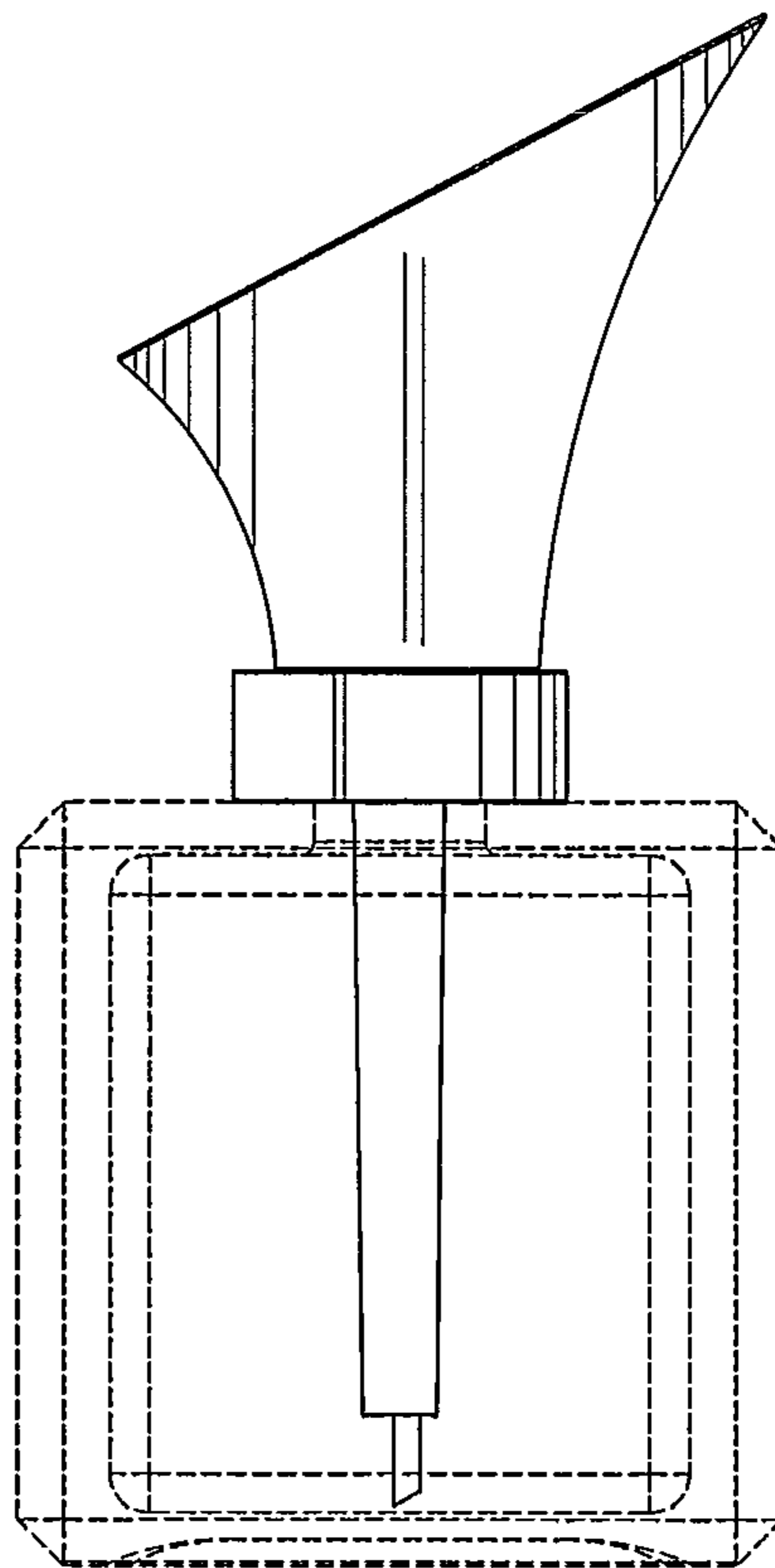


FIG. 6

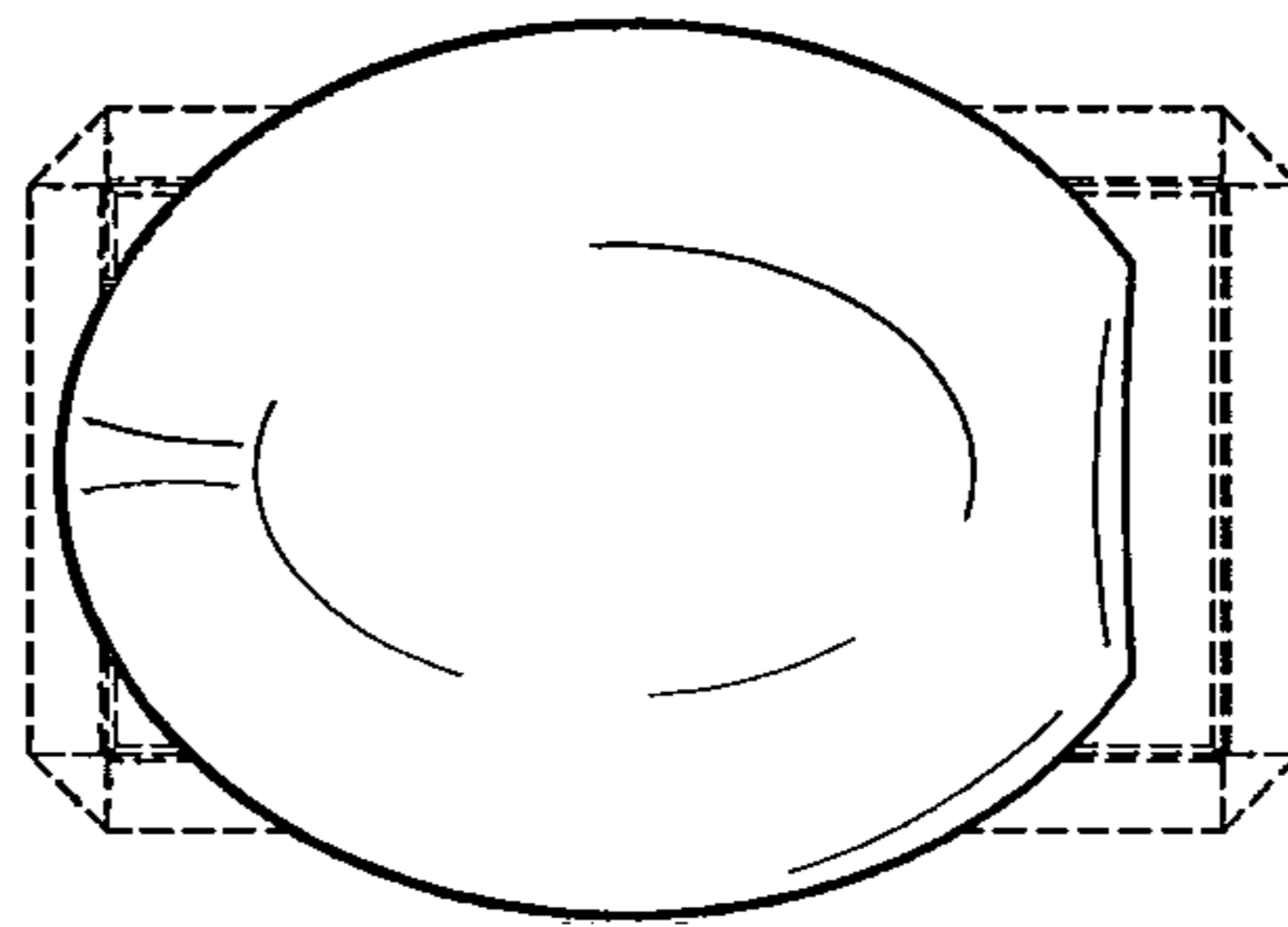


FIG. 7

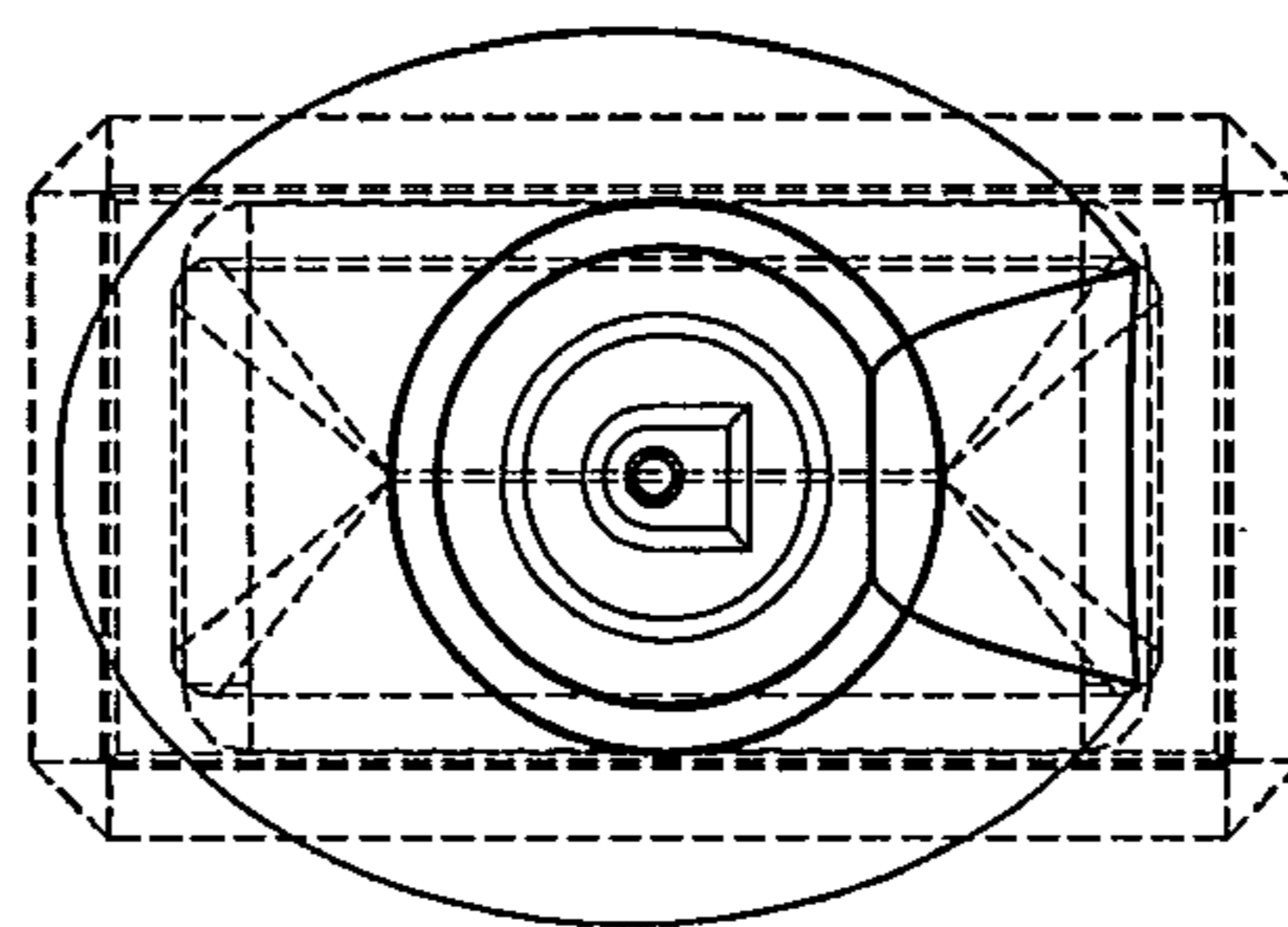


FIG. 8

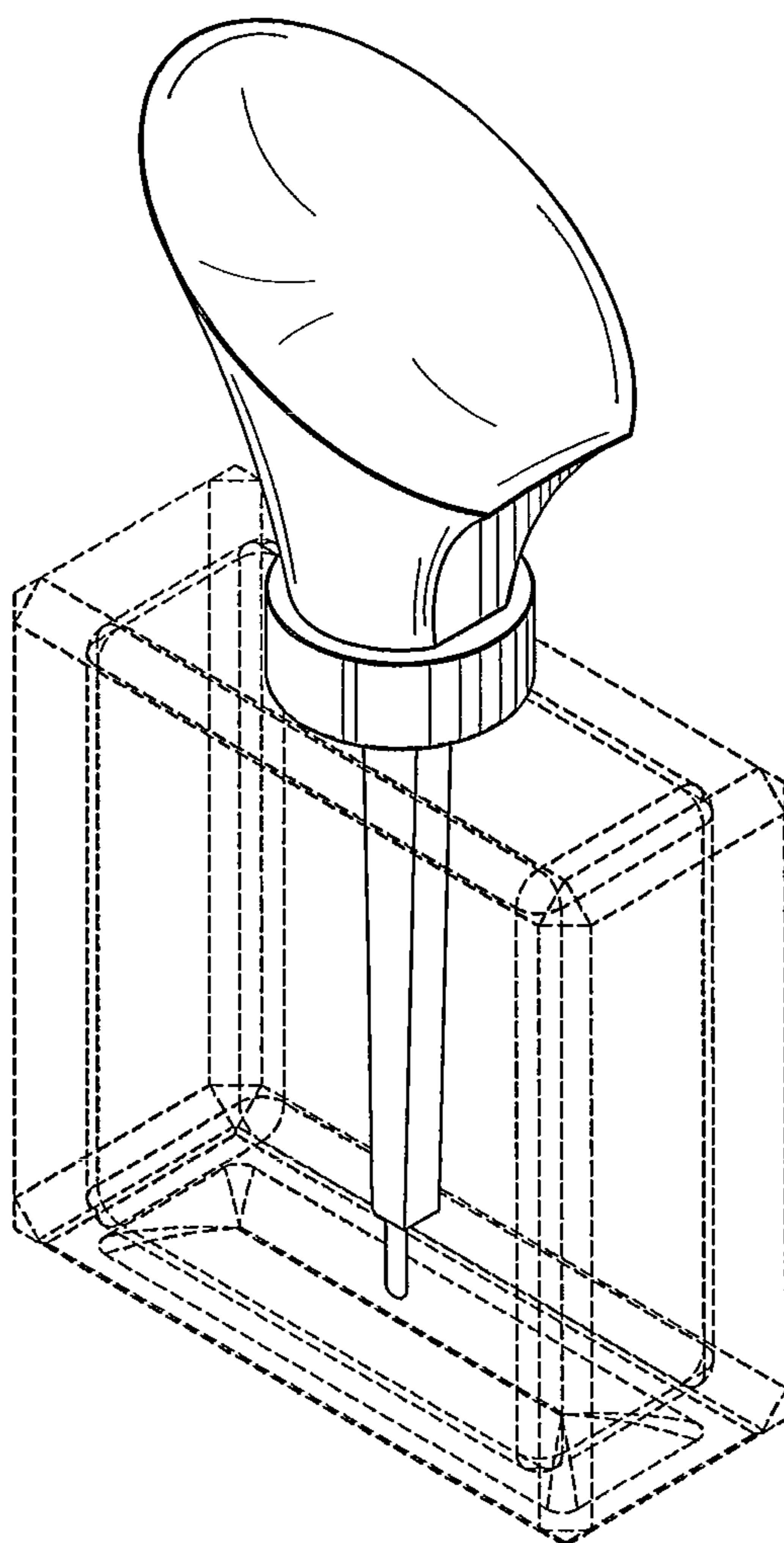


FIG. 9

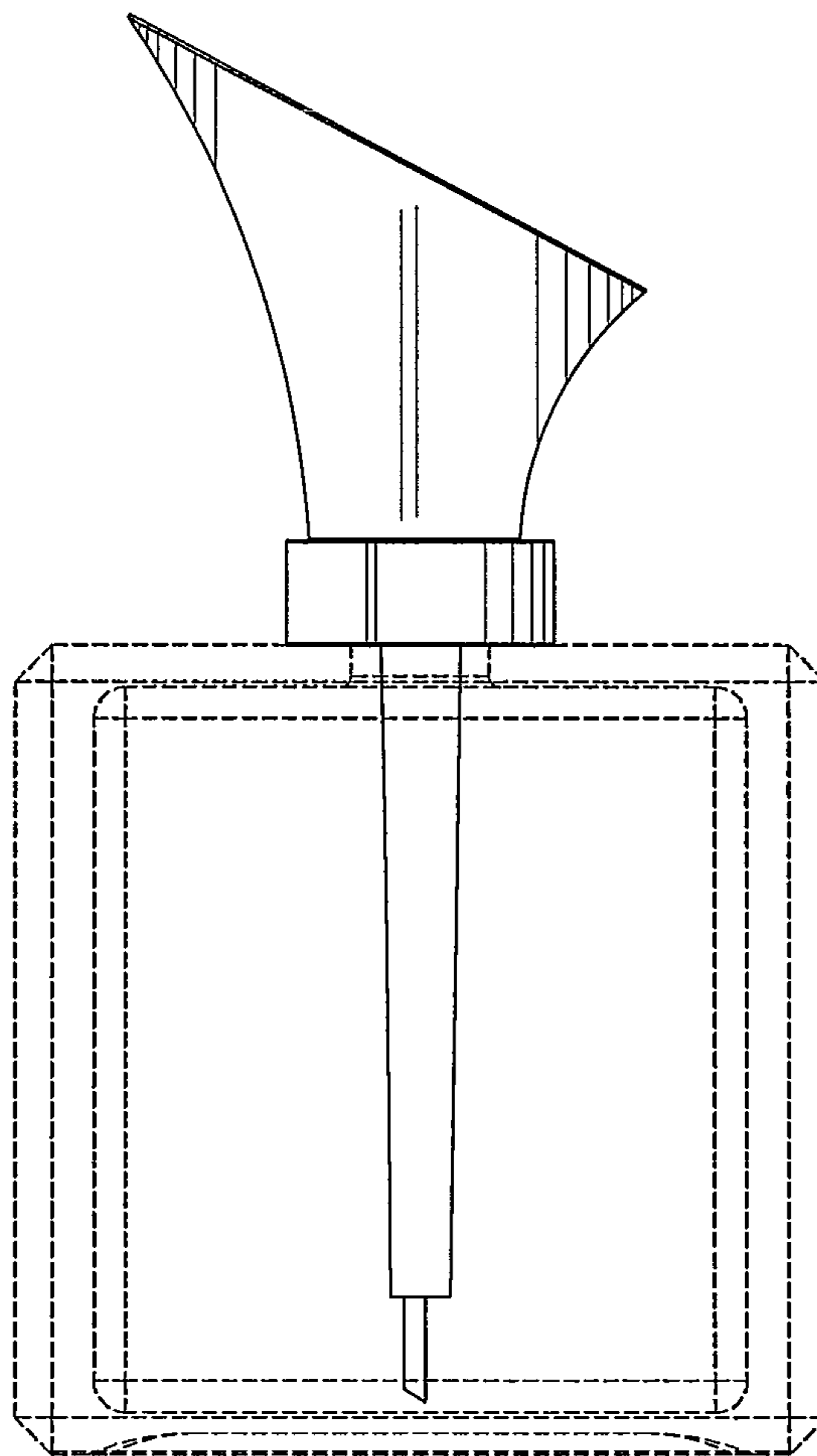


FIG. 10

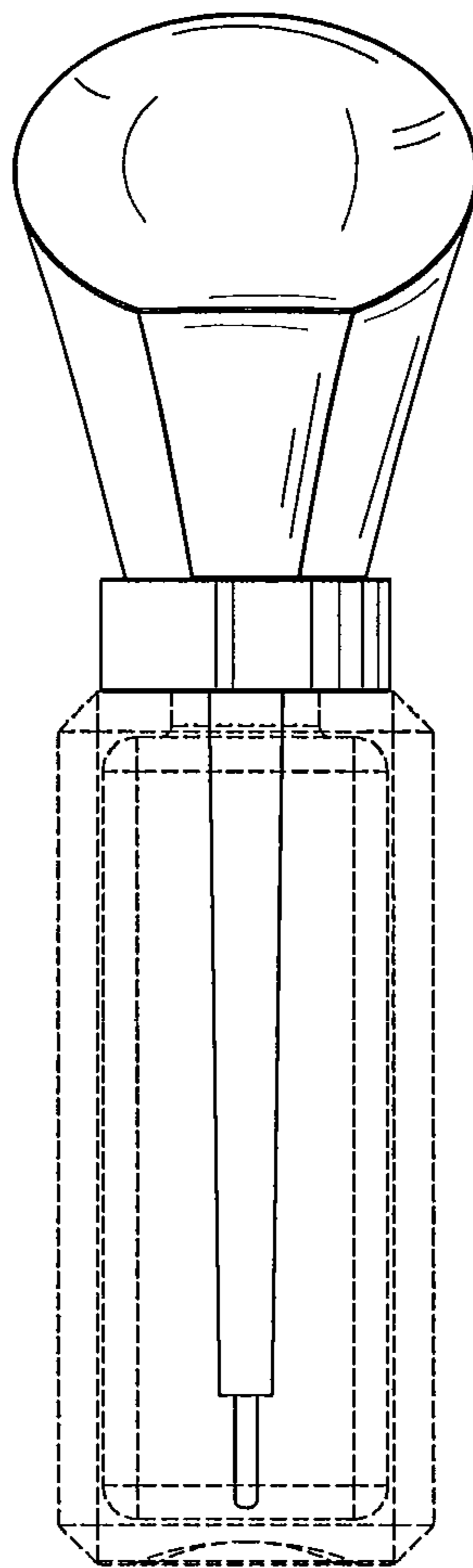


FIG. 11

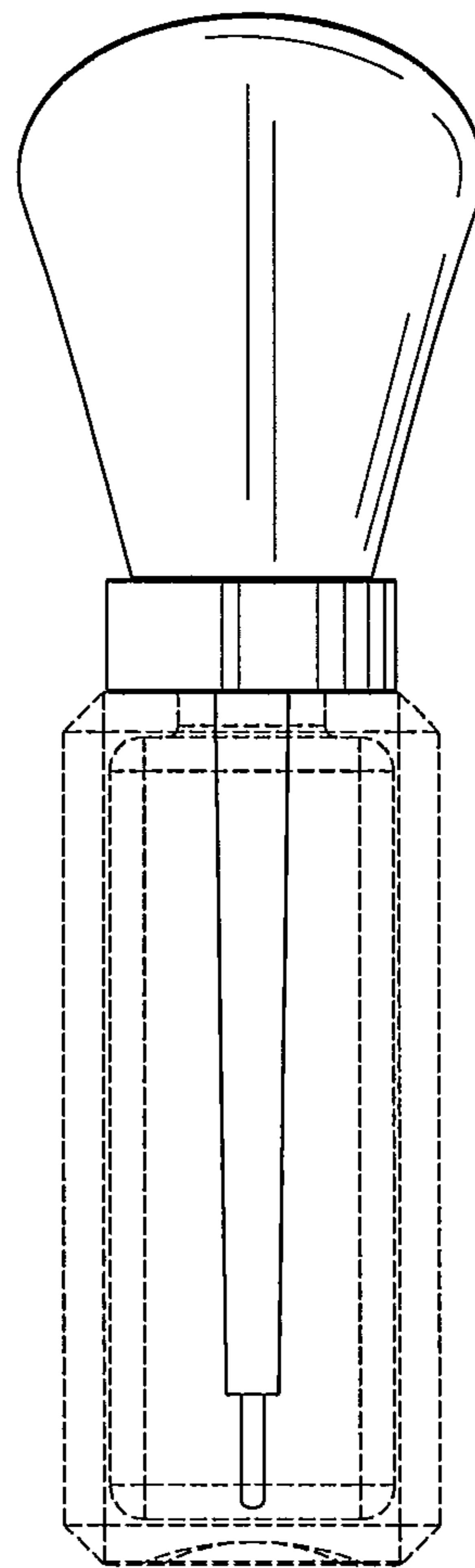


FIG. 12

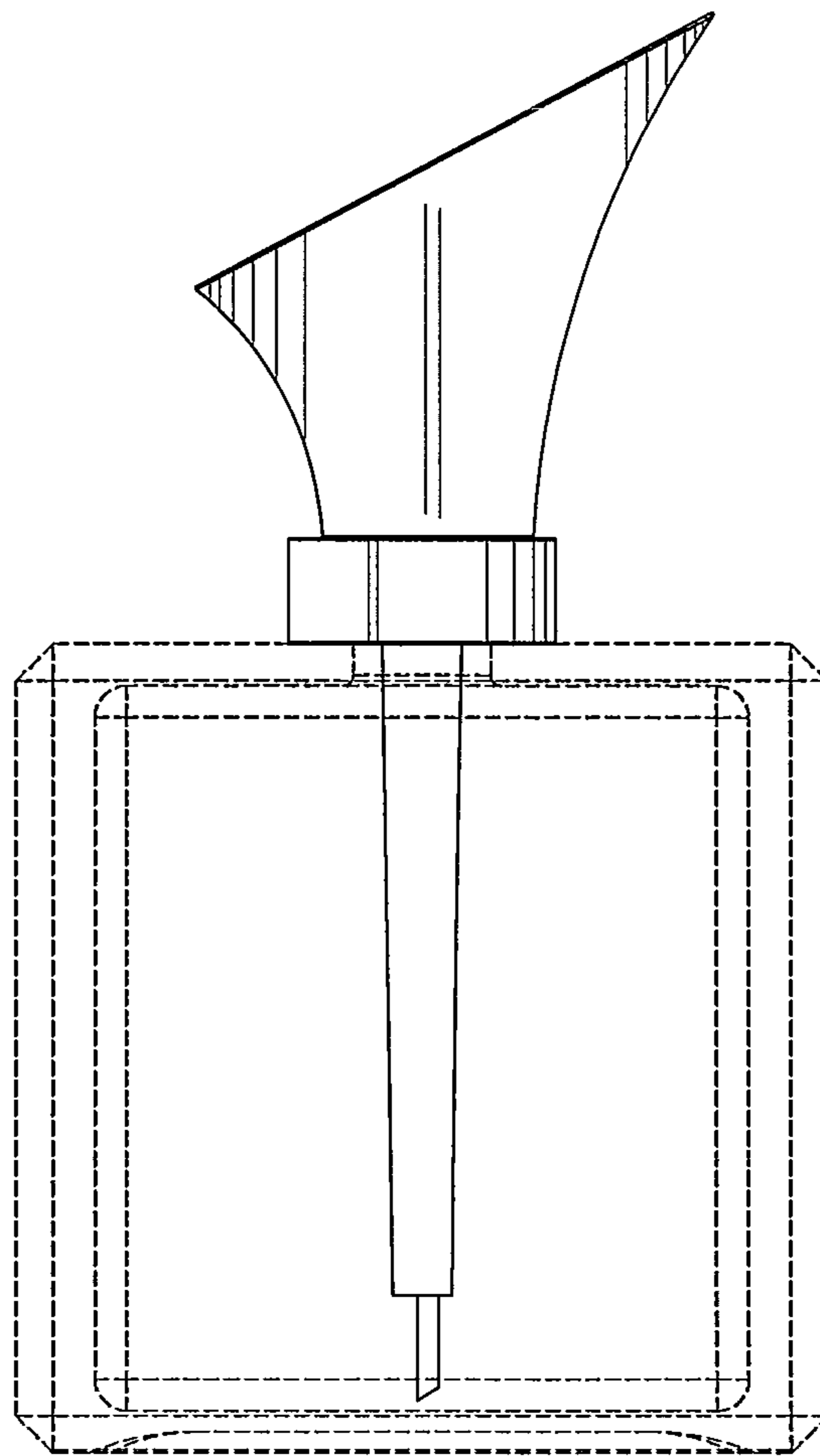


FIG. 13

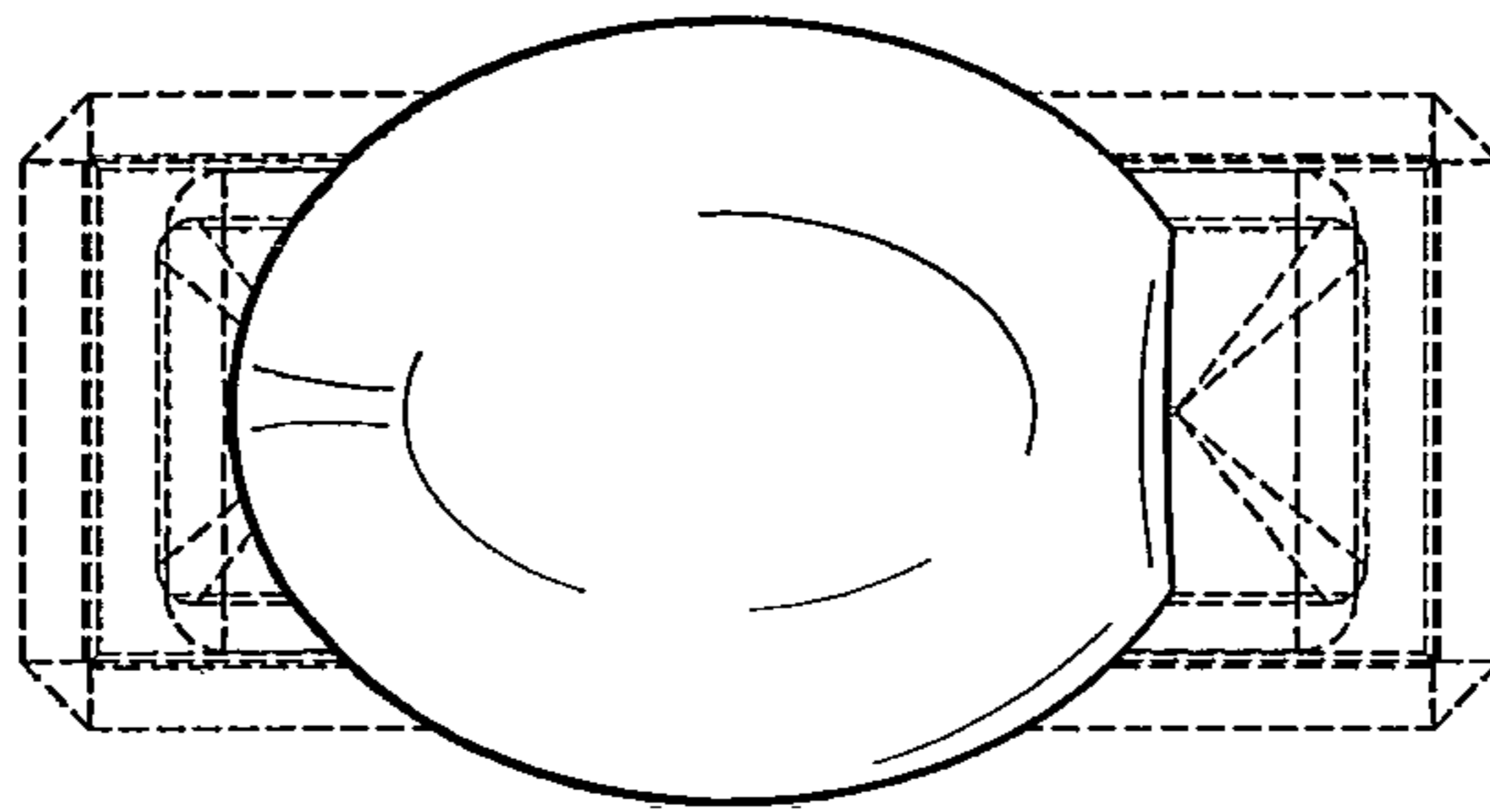


FIG. 14

