



US00D716654S

(12) **United States Design Patent**
Dubitsky et al.

(10) **Patent No.:** **US D716,654 S**

(45) **Date of Patent:** **** Nov. 4, 2014**

(54) **BOTTLE SPOUT**

(71) Applicants: **Craig Dubitsky**, Montclair, NJ (US);
Matthew E. Chrostowski, Agoura Hills,
CA (US); **Elisabeth Schwartz**, Munich
(DE); **Peter Falt**, Thousand Oaks, CA
(US); **Michael Murphy**, Evergreen Park,
IL (US)

(72) Inventors: **Craig Dubitsky**, Montclair, NJ (US);
Matthew E. Chrostowski, Agoura Hills,
CA (US); **Elisabeth Schwartz**, Munich
(DE); **Peter Falt**, Thousand Oaks, CA
(US); **Michael Murphy**, Evergreen Park,
IL (US)

(73) Assignee: **Hello Products, LLC**, Montclair, NJ
(US)

(**) Term: **14 Years**

(21) Appl. No.: **29/477,576**

(22) Filed: **Dec. 23, 2013**

Related U.S. Application Data

(62) Division of application No. 29/448,783, filed on Mar.
13, 2013, now Pat. No. Des. 705,067.

(51) **LOC (10) Cl.** **09-01**

(52) **U.S. Cl.**
USPC **D9/435**; D9/444; D9/449

(58) **Field of Classification Search**

CPC B65D 1/00; B65D 1/02; B65D 1/0223;
B65D 1/40; B65D 23/00; B65D 47/04;
B65D 47/046; B65D 47/06; B65D 2501/0009
USPC D9/434-435, 454, 500, 502-505, 516,
D9/529, 549, 558, 575, 444-445, 447, 449,
D9/544-545, 438, 452, 530, 537, 539, 540,
D9/682, 686, 688-691; 215/379, 381-382,
215/40-41, 43-46; 220/660, 669-673, 675;
D7/300, 300.1, 392, 392.1, 401.1, 598

See application file for complete search history.

(56) **References Cited**

U.S. PATENT DOCUMENTS

D286,508 S * 11/1986 Tilden D9/435

D417,847 S * 12/1999 Rush et al. D9/454

(Continued)

Primary Examiner — Ian Simmons

Assistant Examiner — Dana L Meyrow

(74) *Attorney, Agent, or Firm* — Fross Zelnick Lehrman &
Zissu, P.C.; Lawrence E. Apolzon, Esq.

(57) **CLAIM**

The ornamental design for a bottle spout, as shown and
described.

DESCRIPTION

FIG. 1 is a top perspective view of a bottle spout showing our
new design;

FIG. 2 is a front elevation view thereof;

FIG. 3 is a rear elevation view thereof;

FIG. 4 is a right side elevation view thereof;

FIG. 5 is a left side elevation view thereof;

FIG. 6 is a top plan view thereof;

FIG. 7 is a bottom plan view thereof;

FIG. 8 is a top perspective view of the bottle spout of FIGS.
1-7 shown in the environment of a bottle;

FIG. 9 is a front elevation view thereof;

FIG. 10 is a rear elevation view thereof;

FIG. 11 is a right side elevation view thereof;

FIG. 12 is a left side elevation view thereof;

FIG. 13 is a top plan view thereof;

FIG. 14 is a bottom plan view thereof;

FIG. 15 is a top perspective view of the bottle spout of FIGS.
1-7 shown in the environment of a different bottle;

FIG. 16 is a front elevation view thereof;

FIG. 17 is a rear elevation view thereof;

FIG. 18 is a right side elevation view thereof;

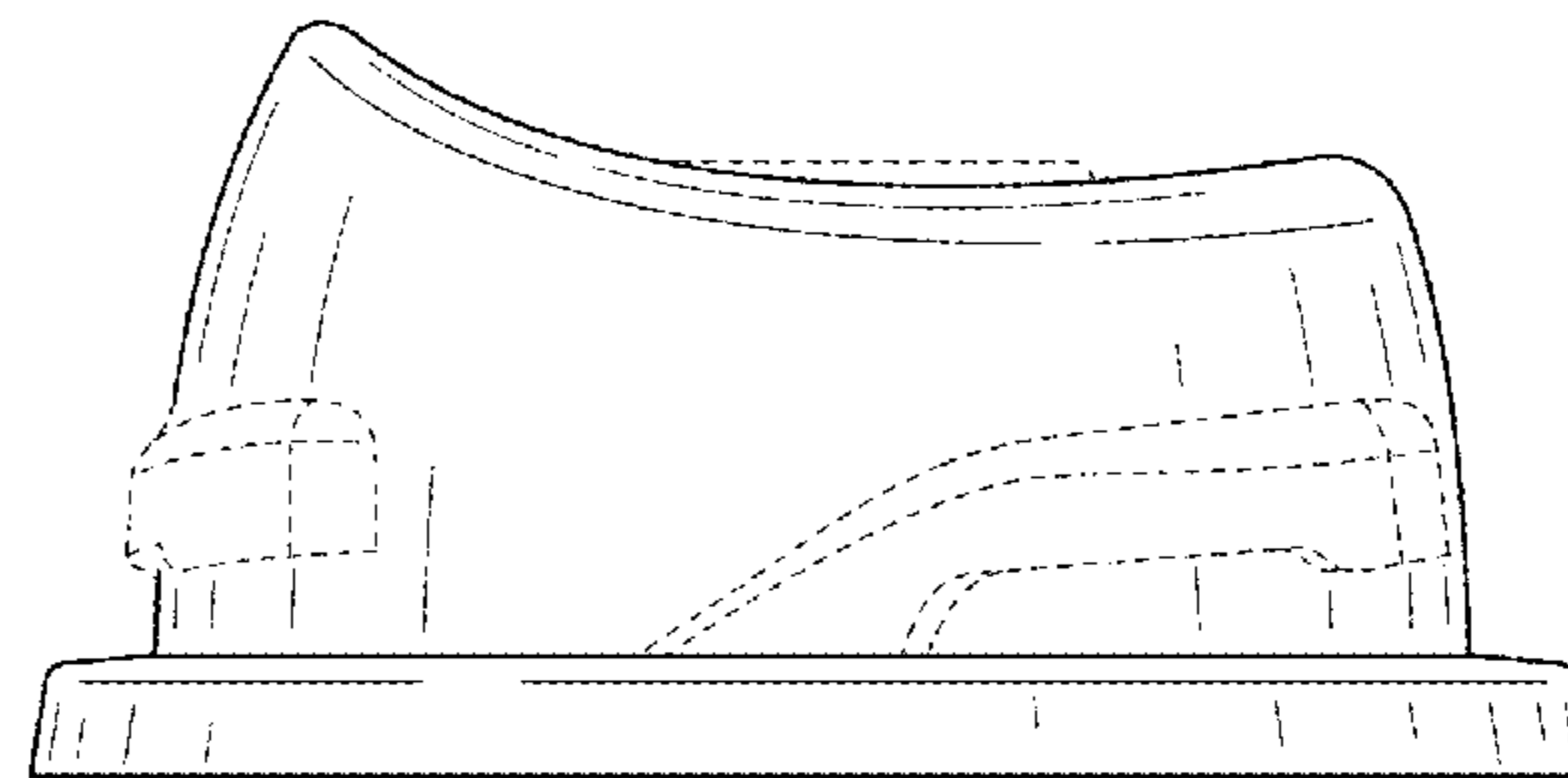
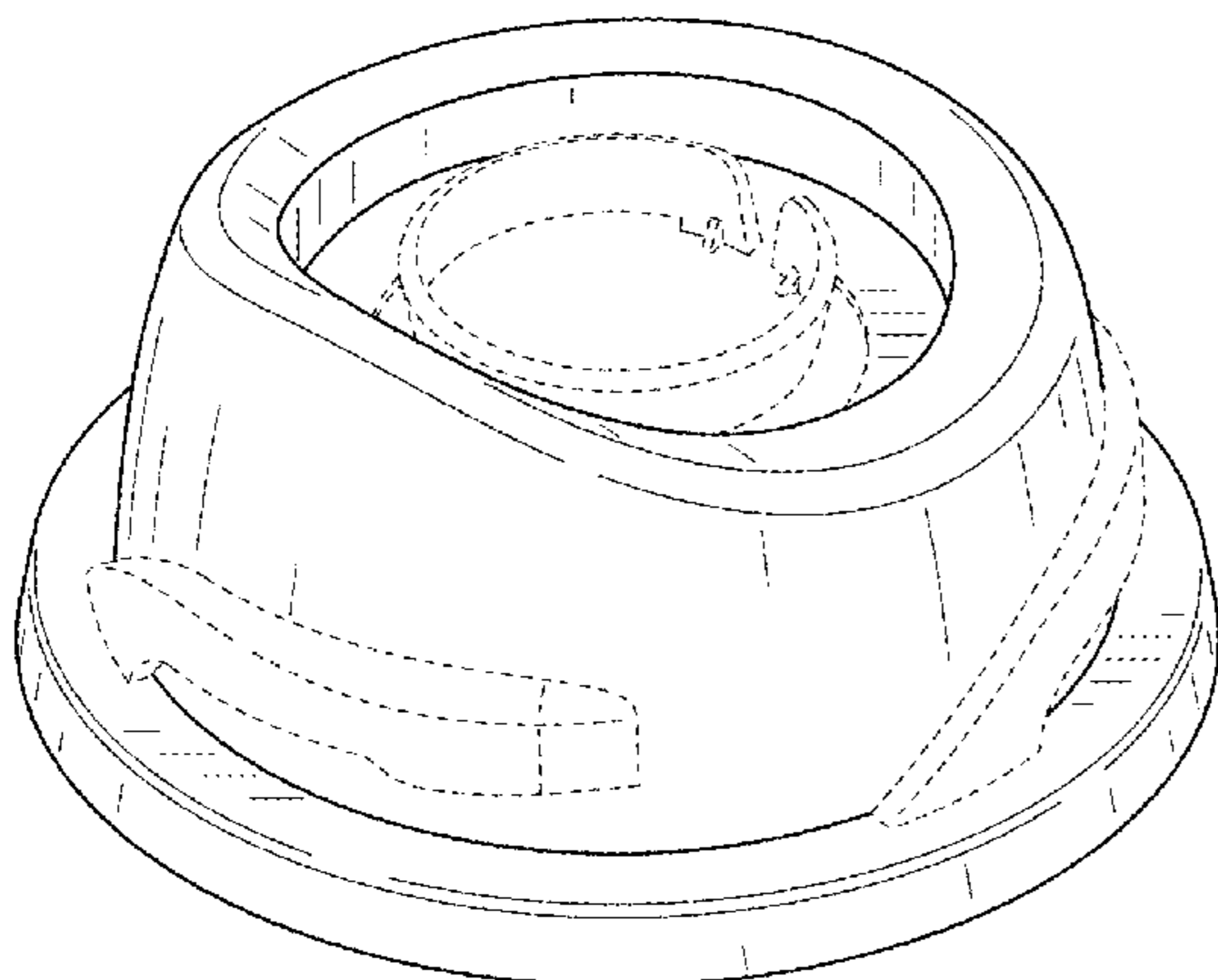
FIG. 19 is a left side elevation view thereof;

FIG. 20 is a top plan view thereof; and,

FIG. 21 is a bottom plan view thereof.

The broken line showing of the pull tab, threads, cap threads,
portions of the base of the bottle spout, the bottle base, the
bottle cap, the central portion of the bottle, in relevant draw-
ings shows unclaimed subject matter for the design in those
drawings.

1 Claim, 12 Drawing Sheets



US D716,654 S

Page 2

(56)

References Cited

U.S. PATENT DOCUMENTS

| | | | | | | |
|------------|---|---------|-----------------|-------|----------|---------------------|
| D482,570 S | * | 11/2003 | Henderson | | D7/507 | |
| D516,871 S | * | 3/2006 | Graves et al. | | D7/612 | * cited by examiner |
| D517,869 S | * | 3/2006 | Graves et al. | | D7/612 | |
| D705,067 S | * | 5/2014 | Dubitsky et al. | | D9/504 | |
| D708,900 S | * | 7/2014 | Hakim | | D7/392.1 | |

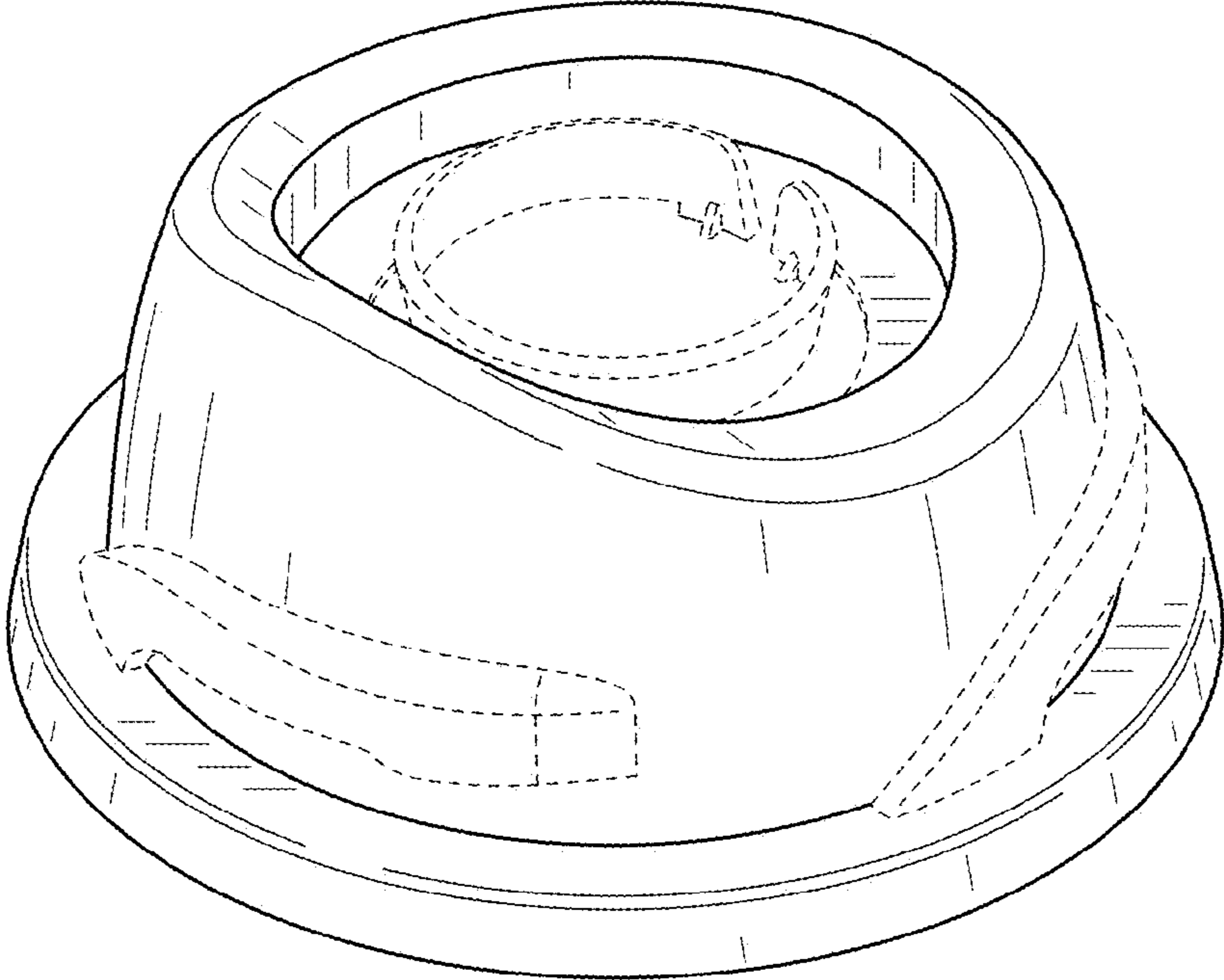


FIG. 1

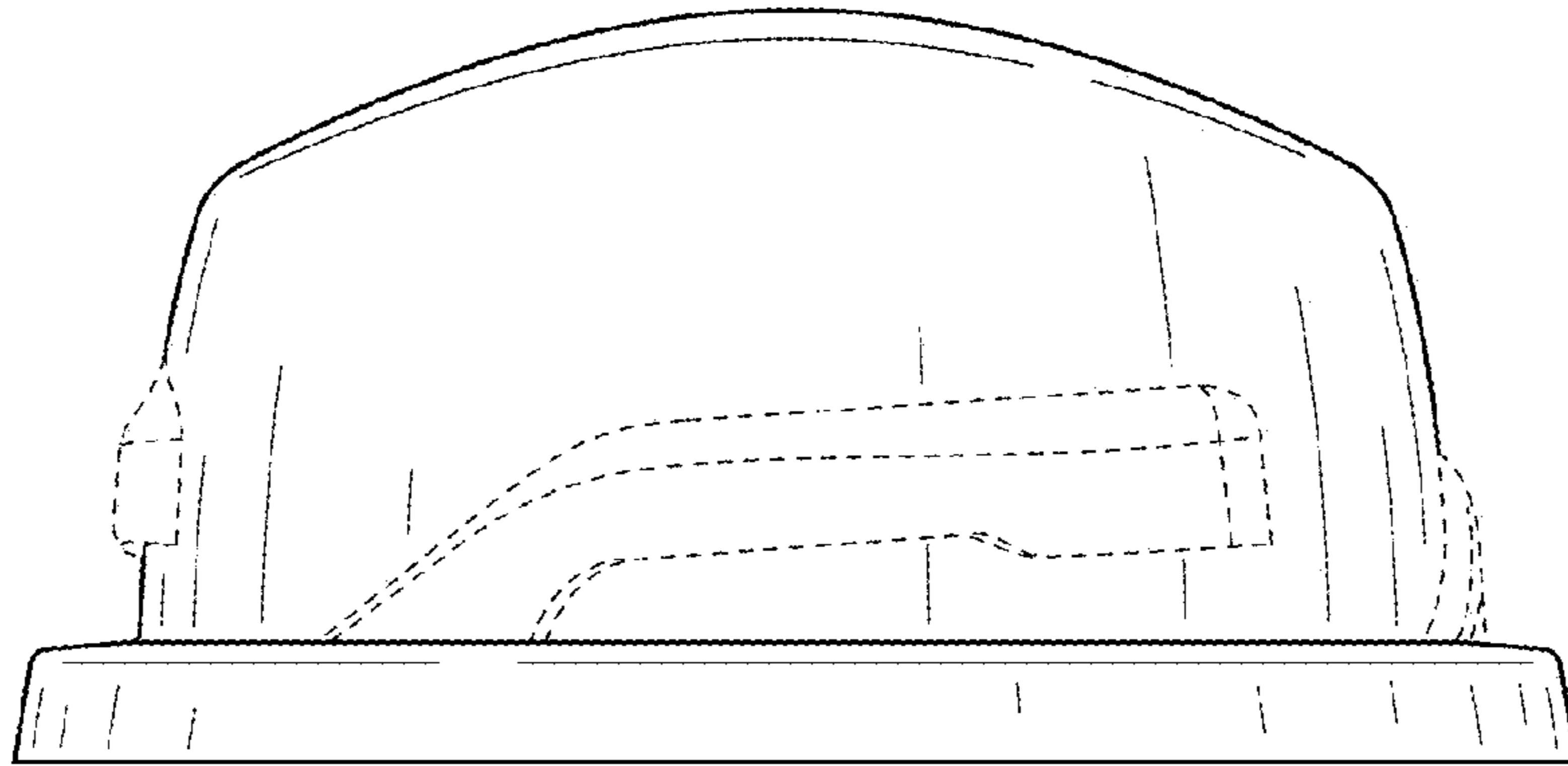


FIG. 2

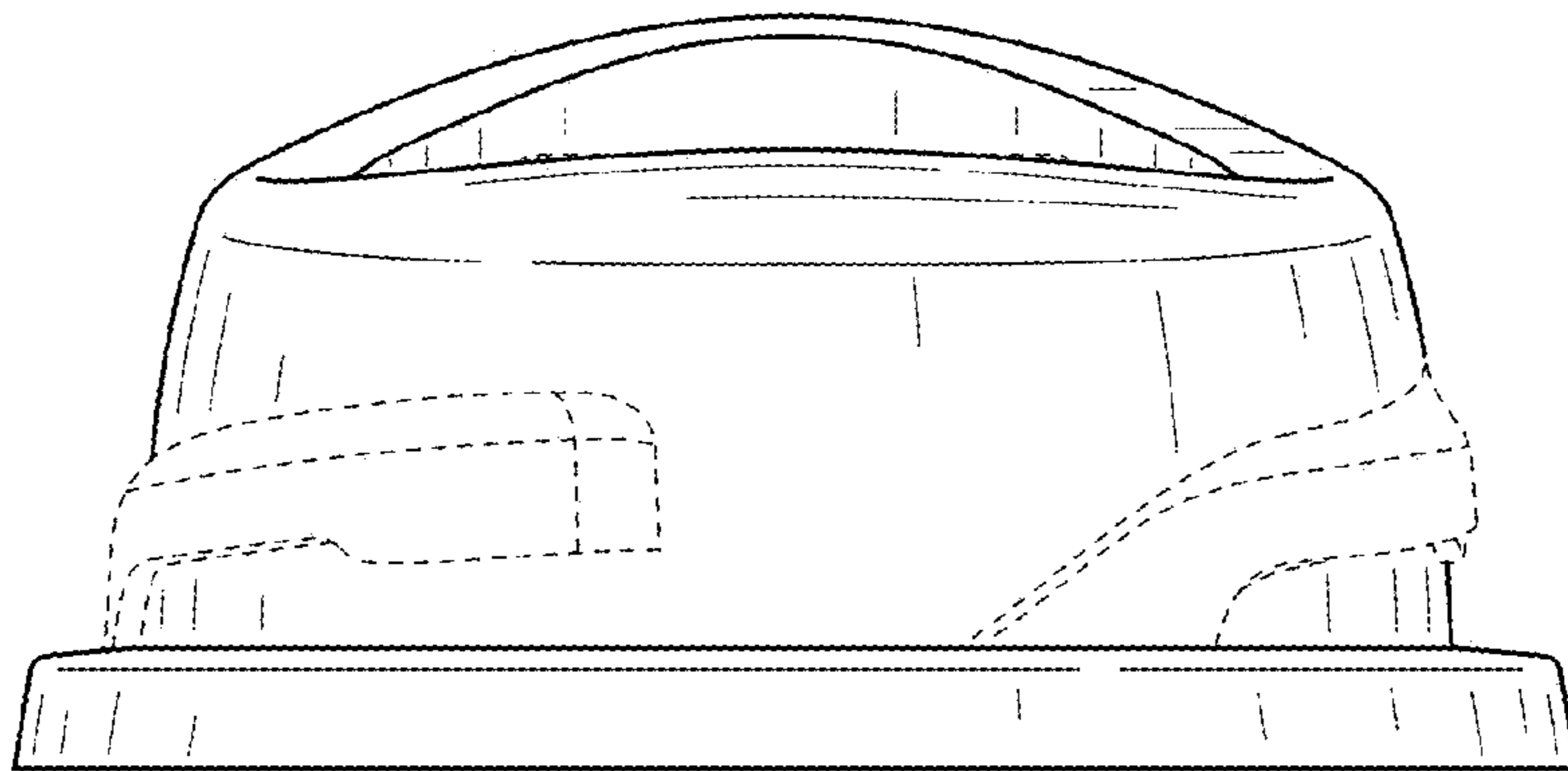


FIG. 3

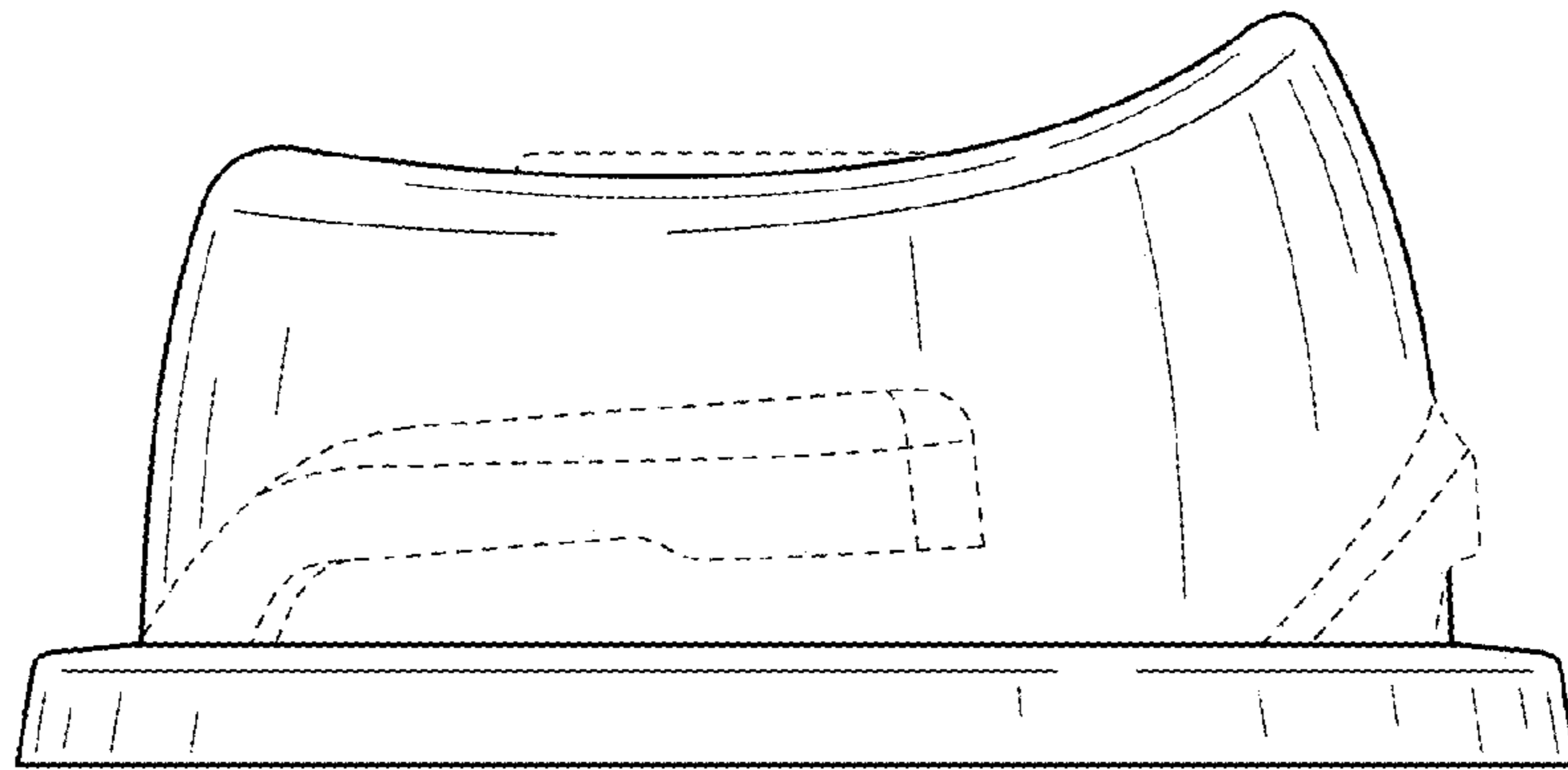


FIG. 4

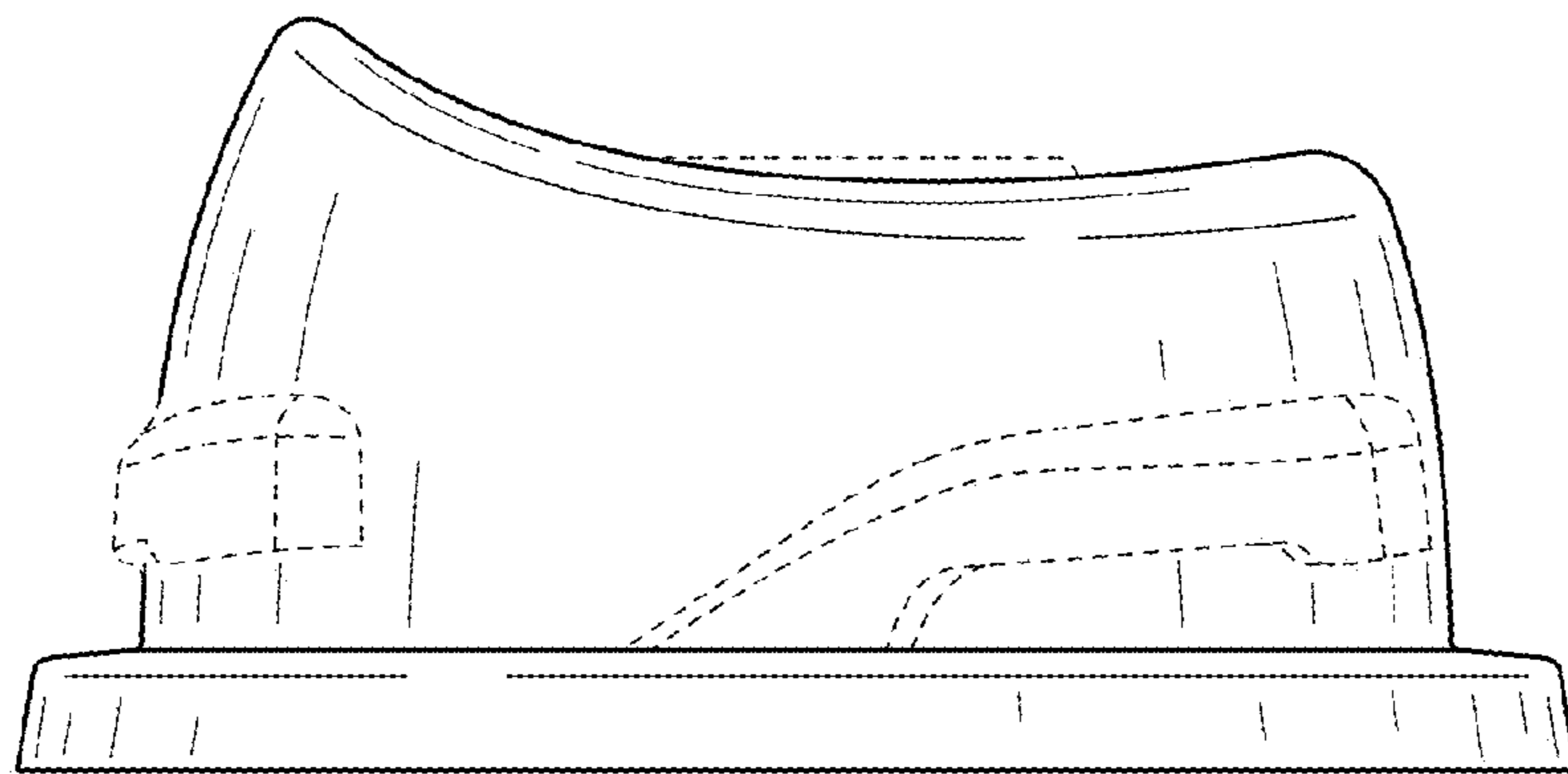


FIG. 5

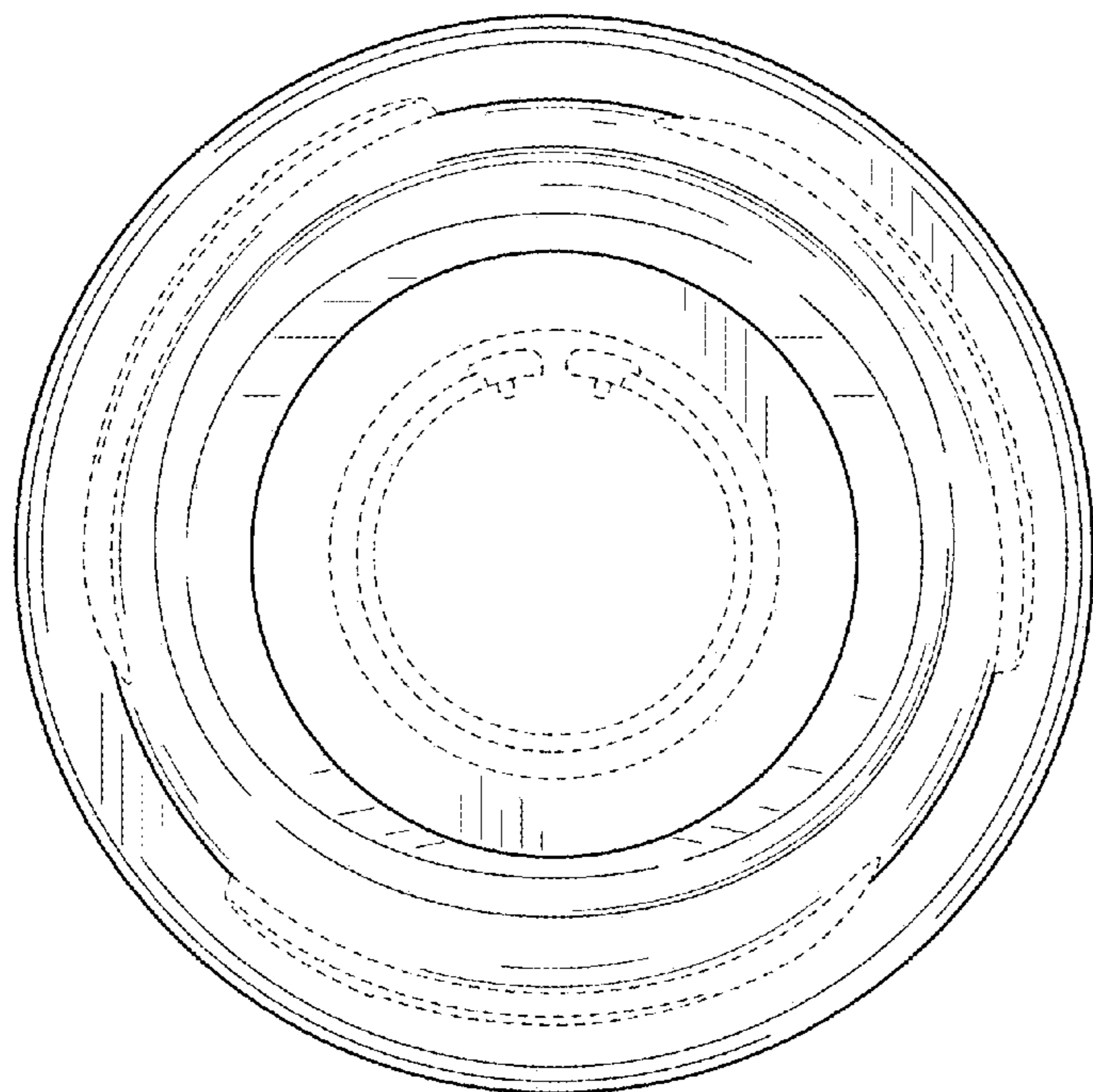


FIG. 6

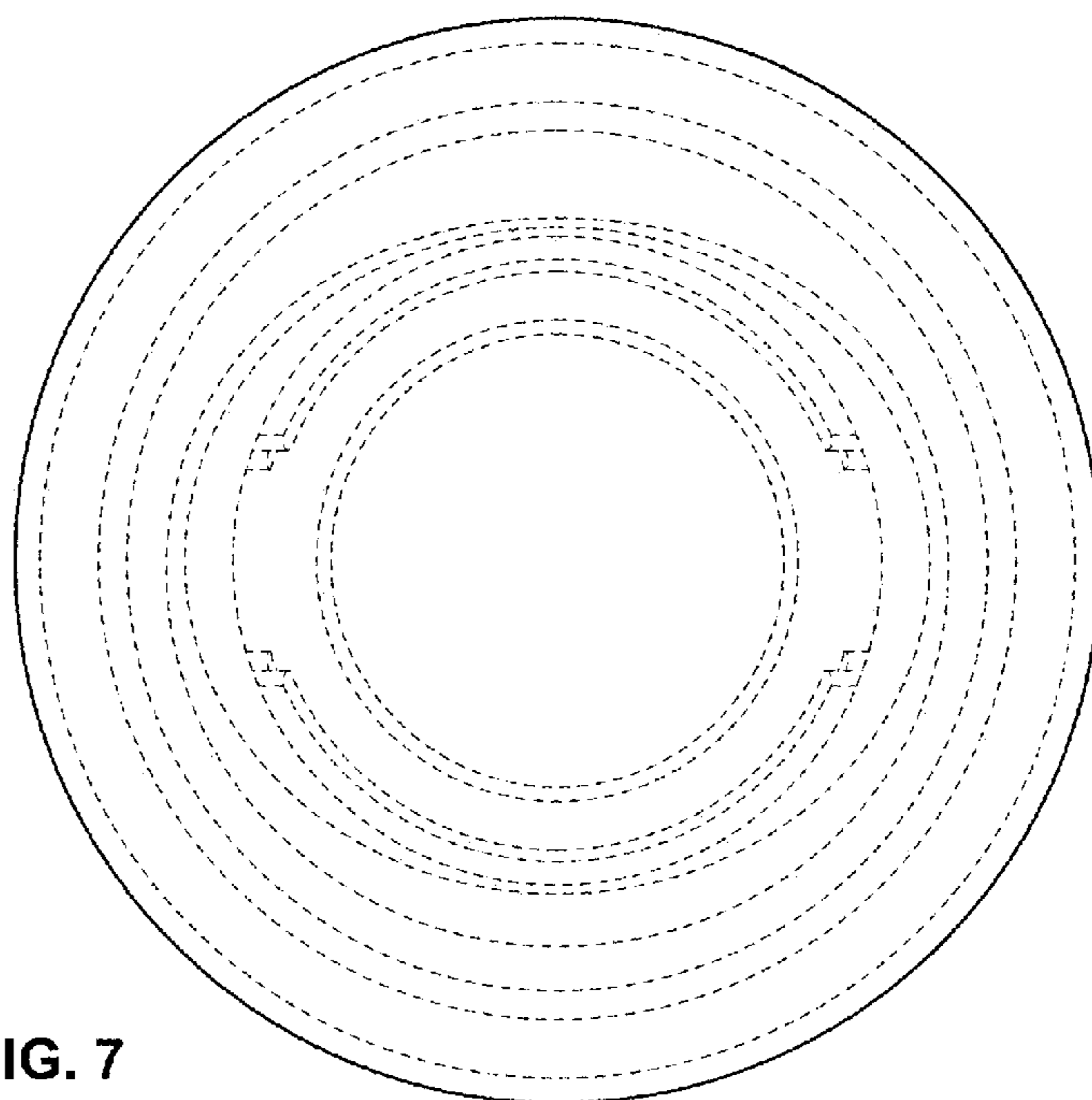


FIG. 7

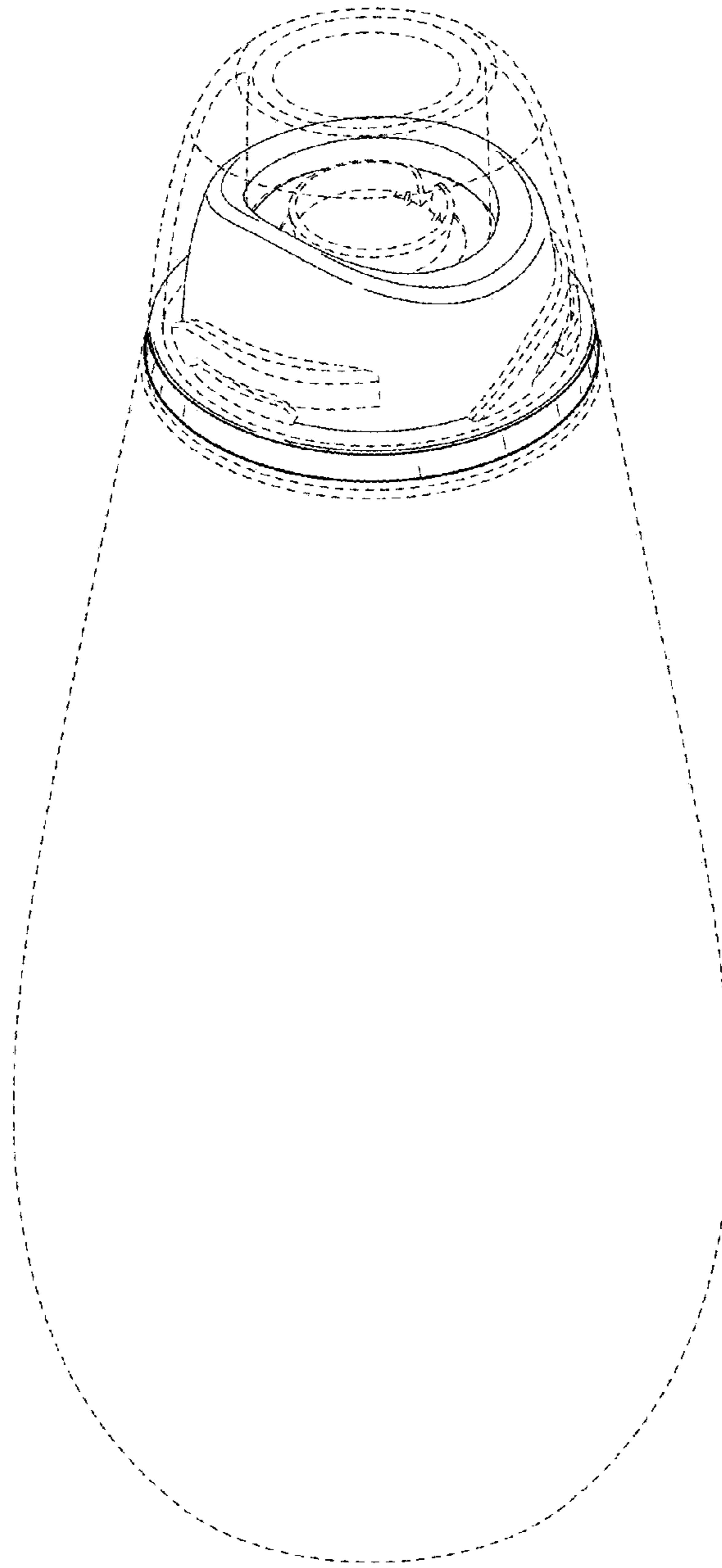


FIG. 8

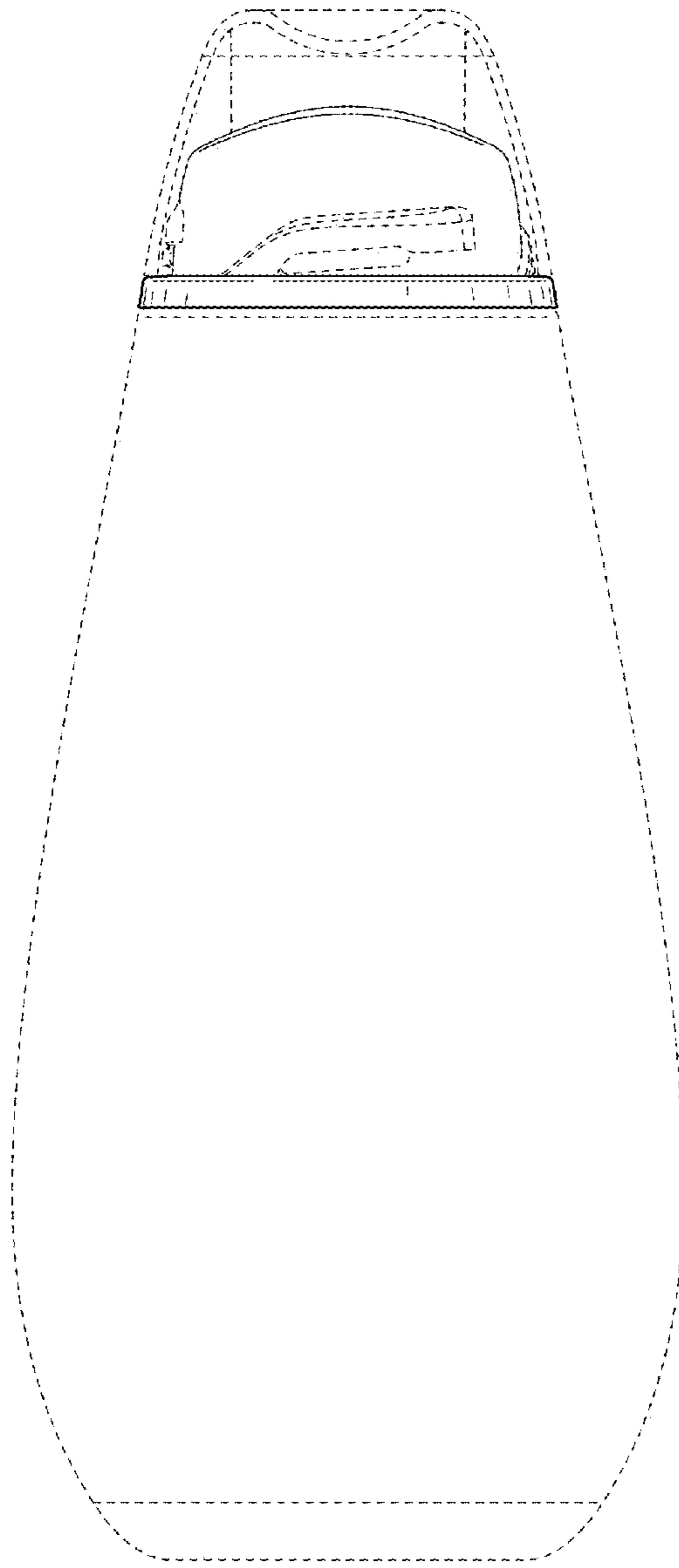


FIG. 9

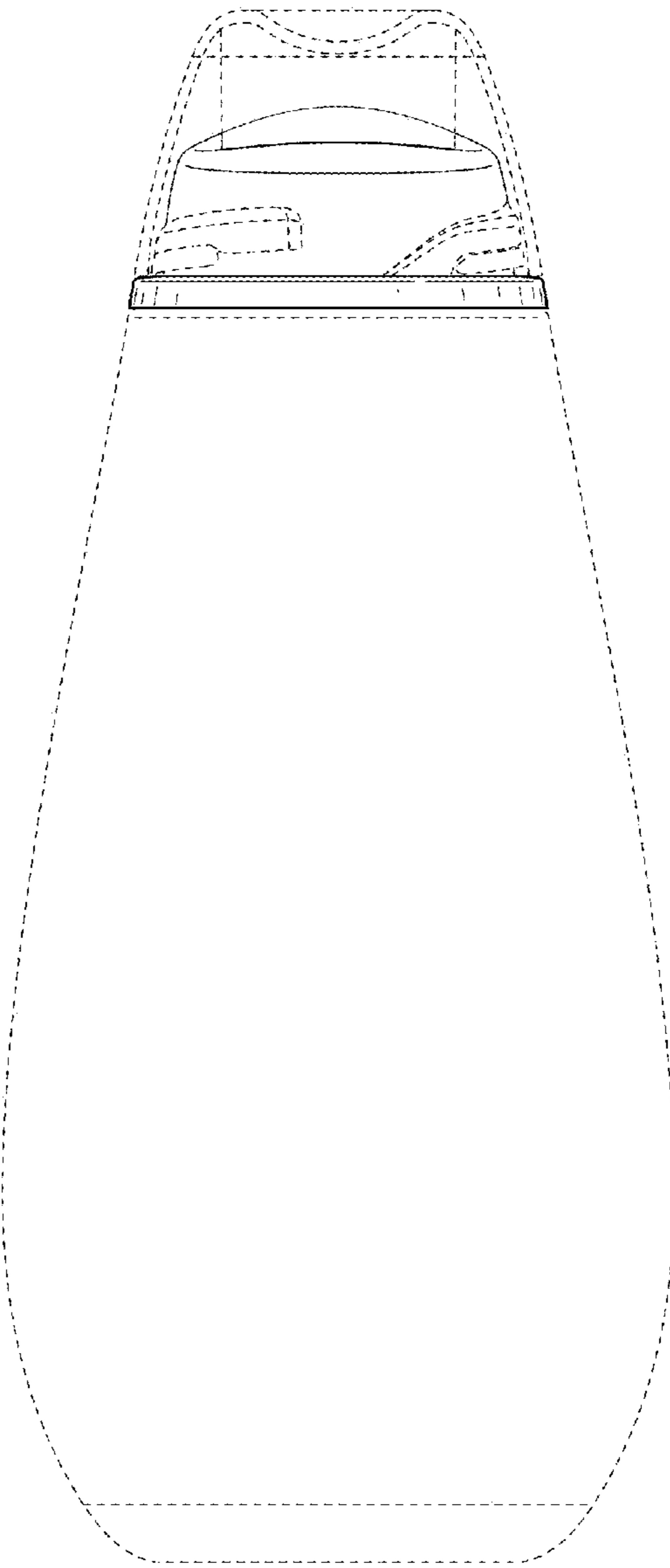


FIG. 10

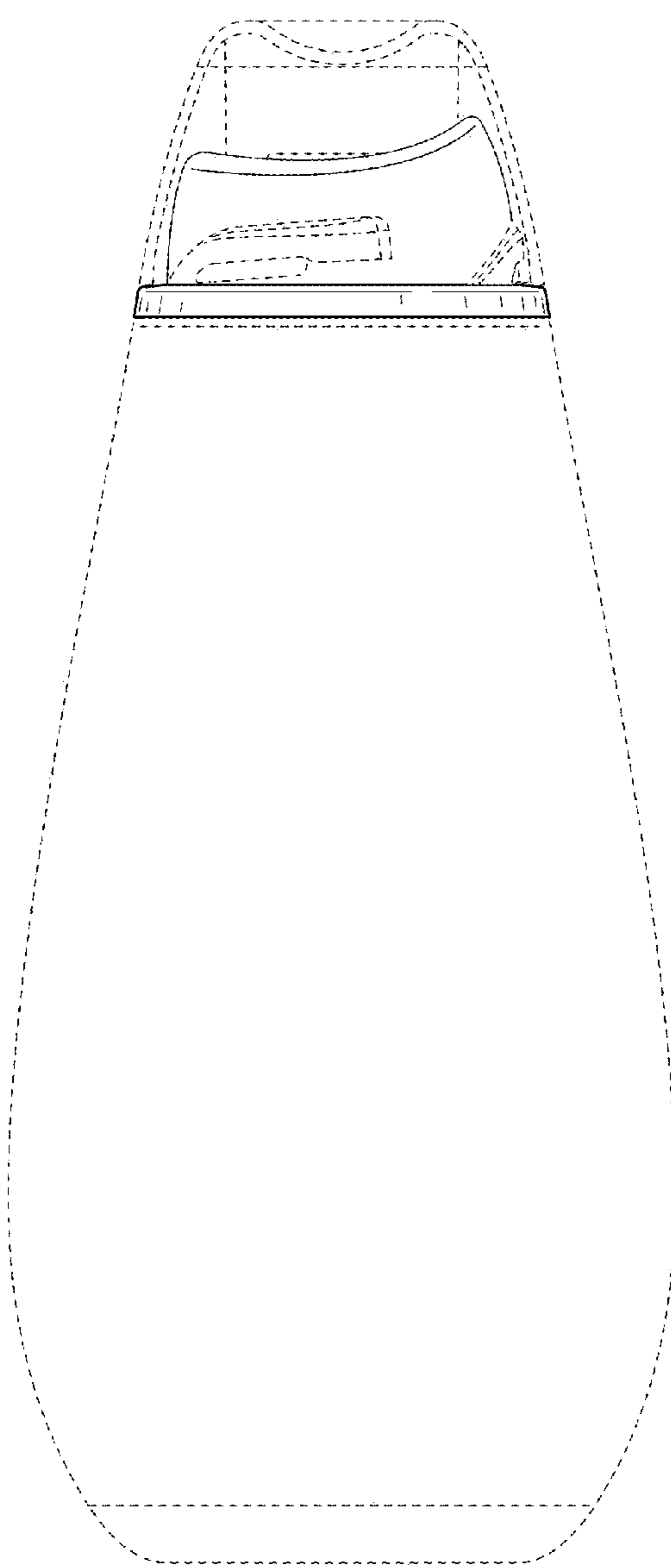


FIG. 11

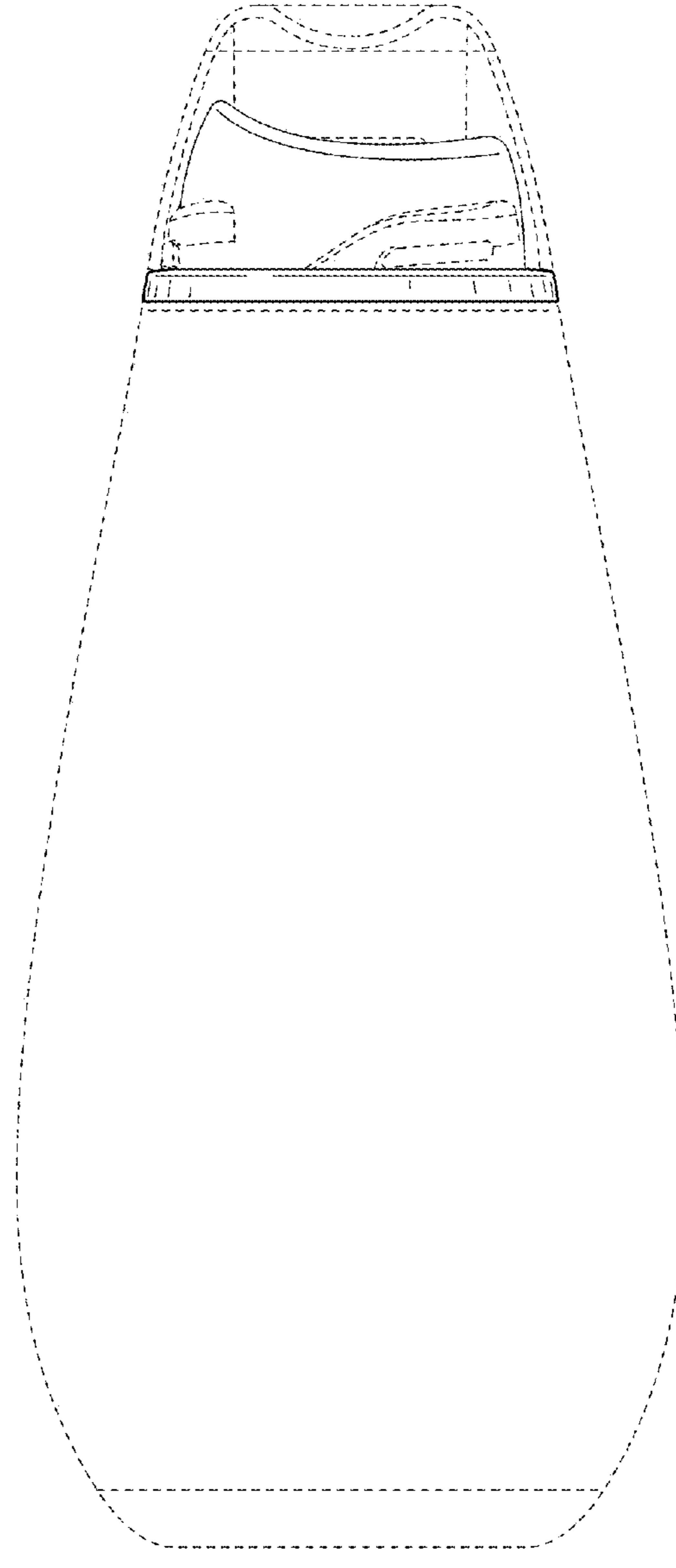


FIG. 12

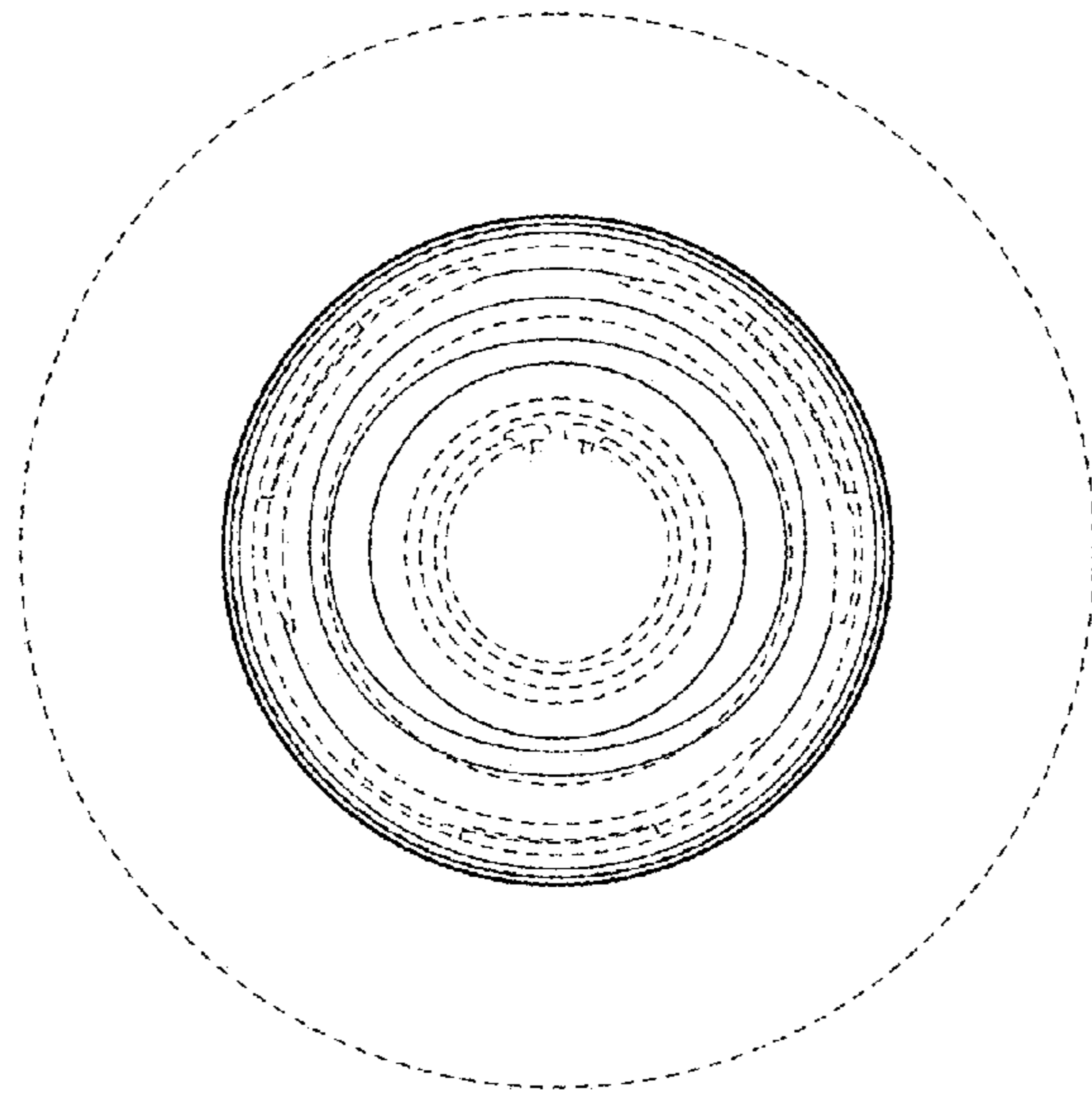


FIG. 13

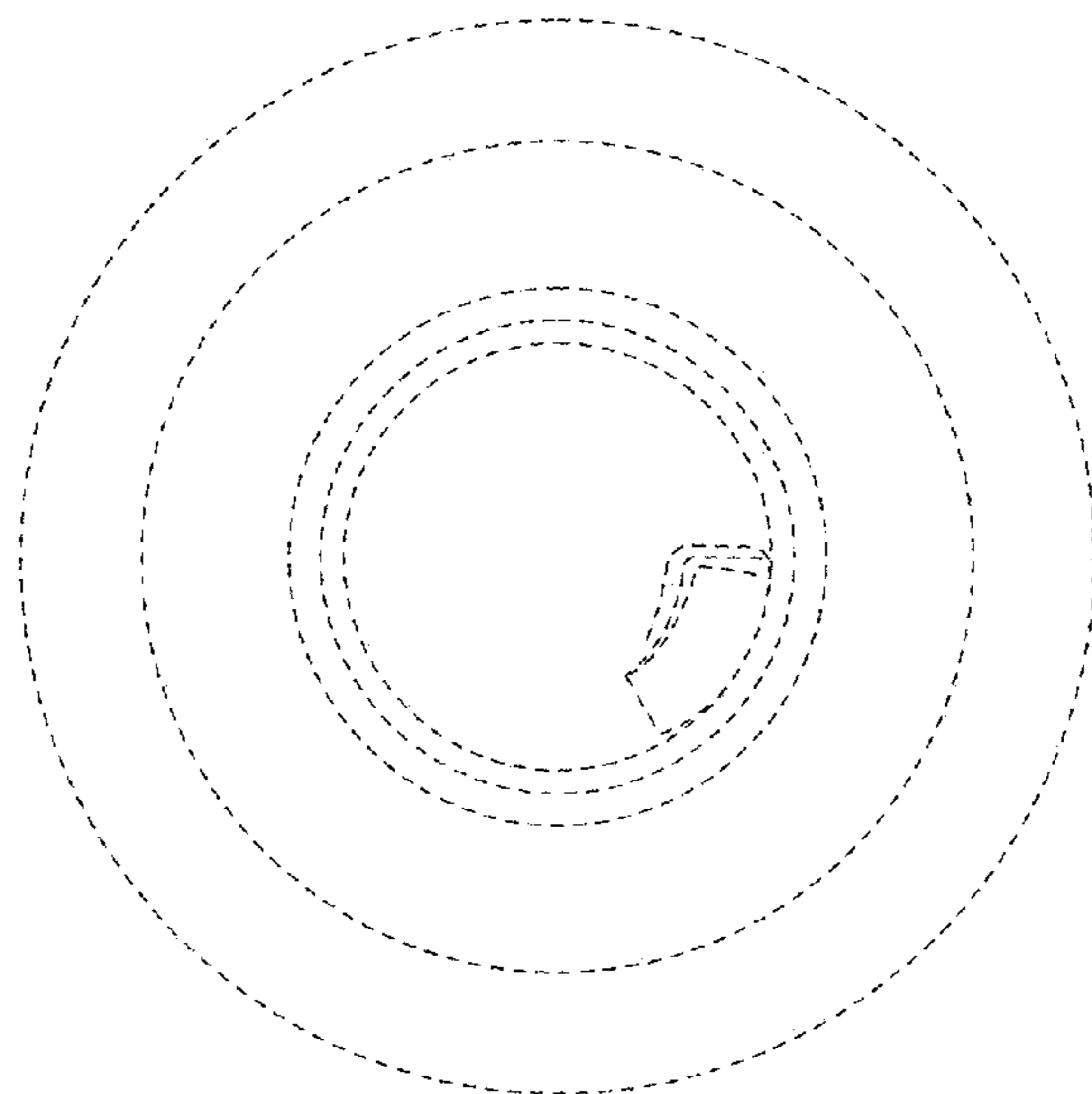


FIG. 14

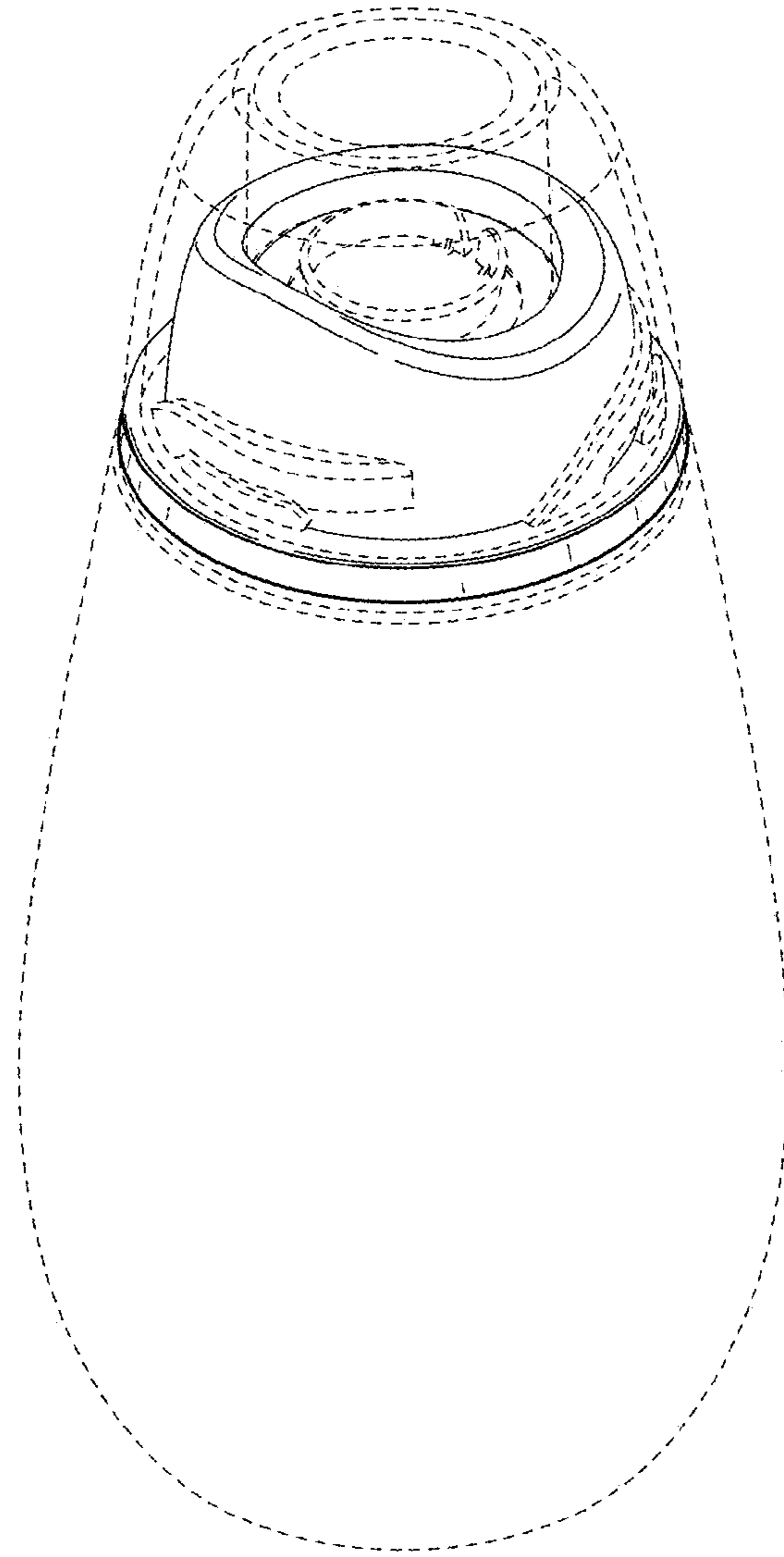


FIG. 15

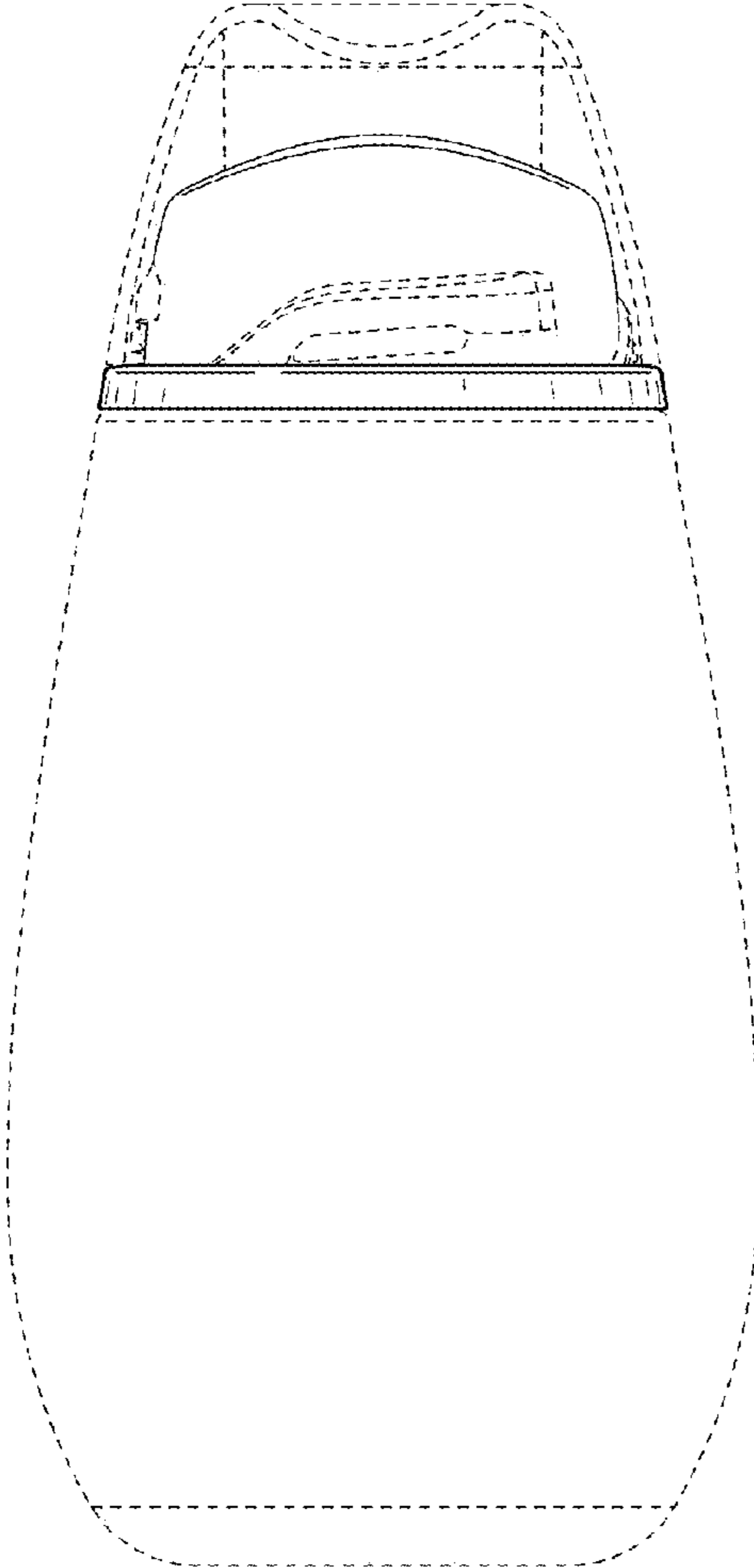


FIG. 16

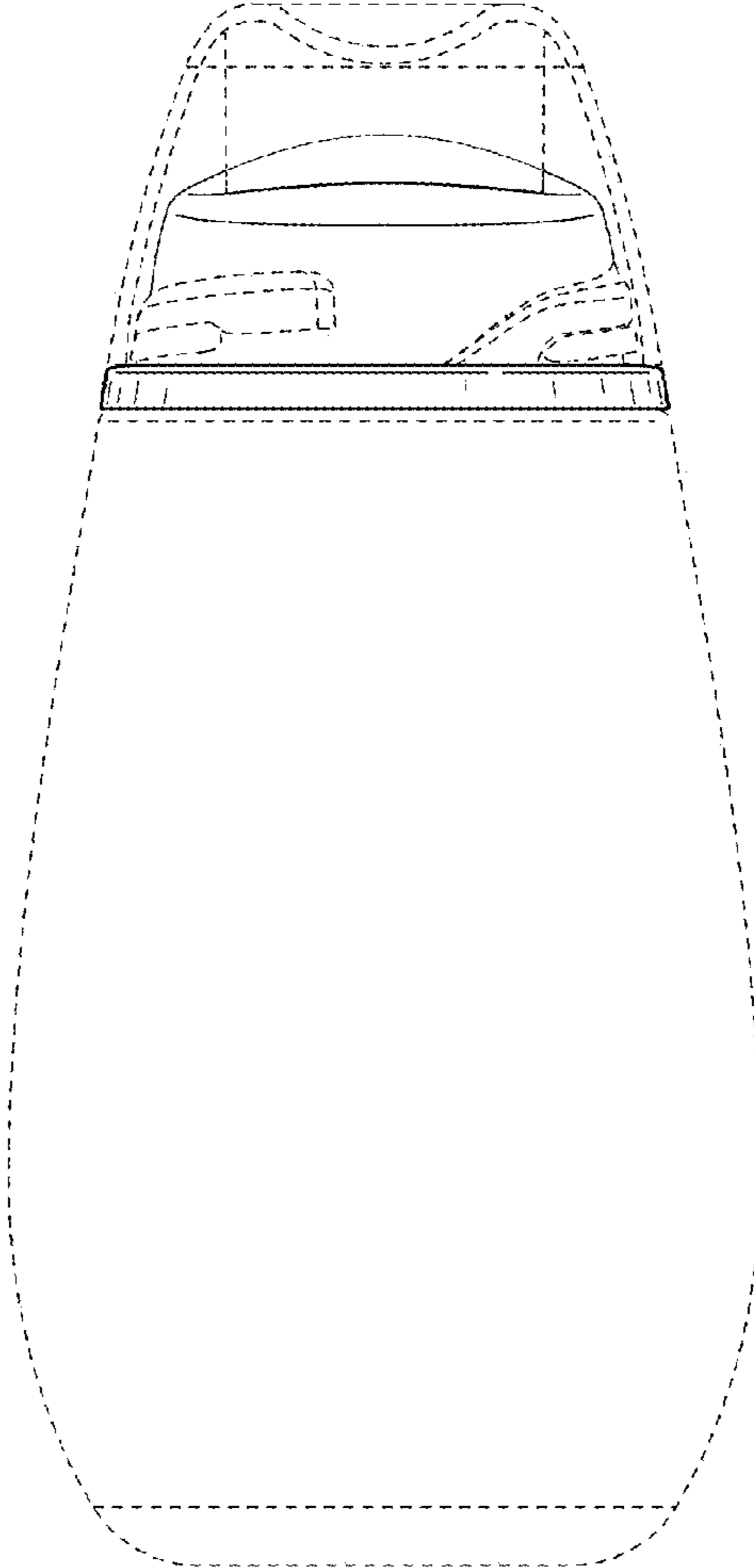


FIG. 17

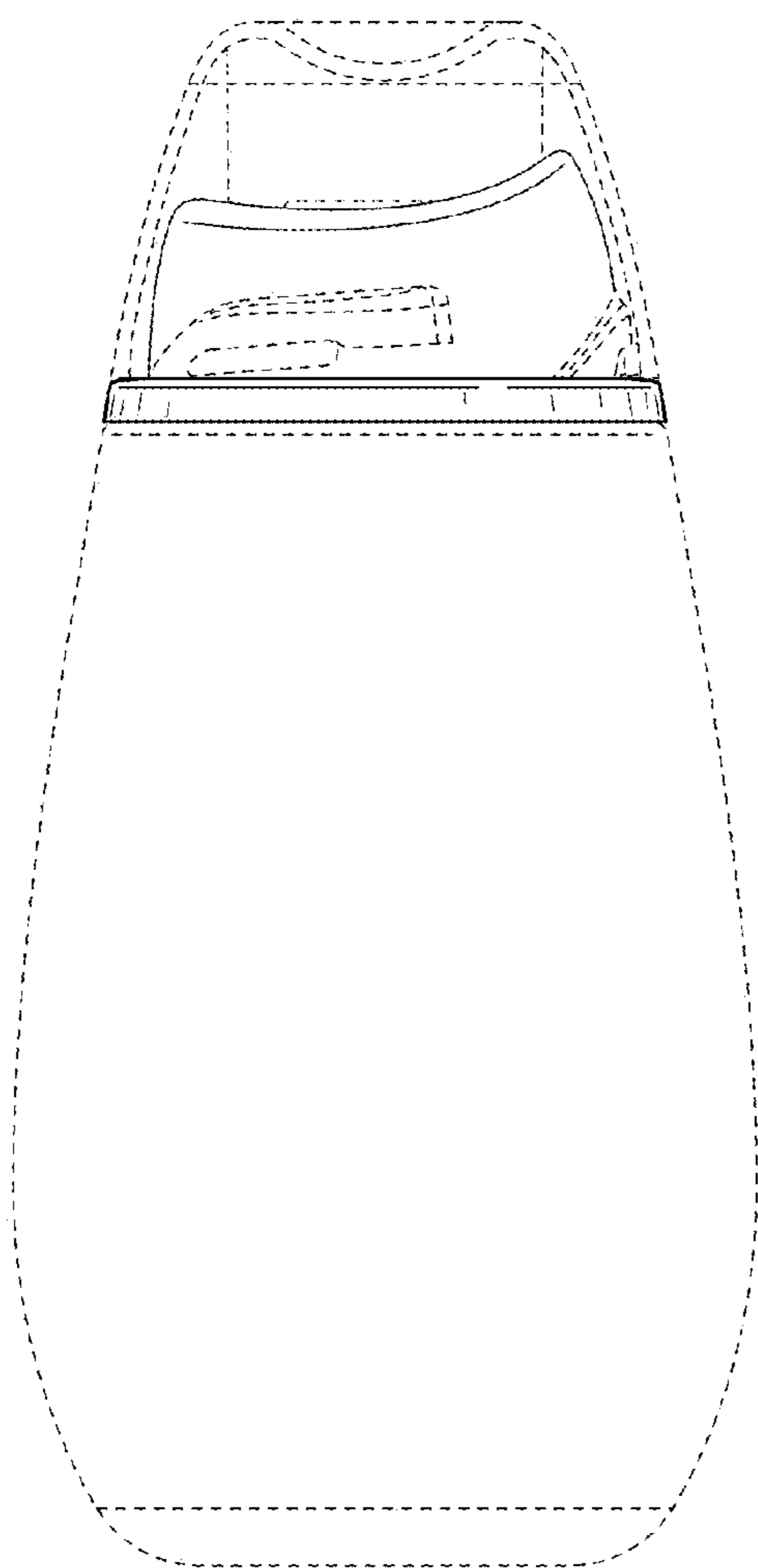


FIG. 18

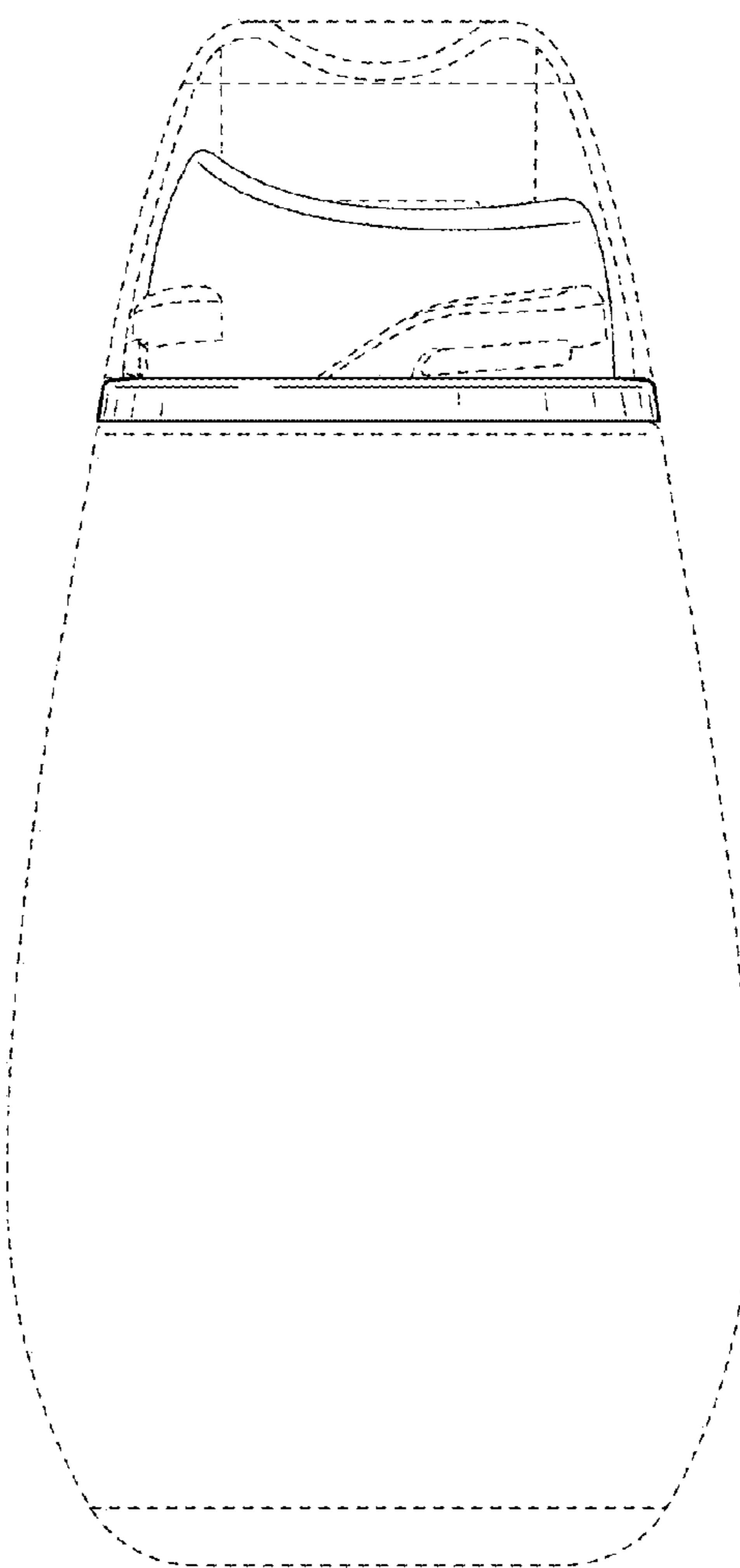


FIG. 19

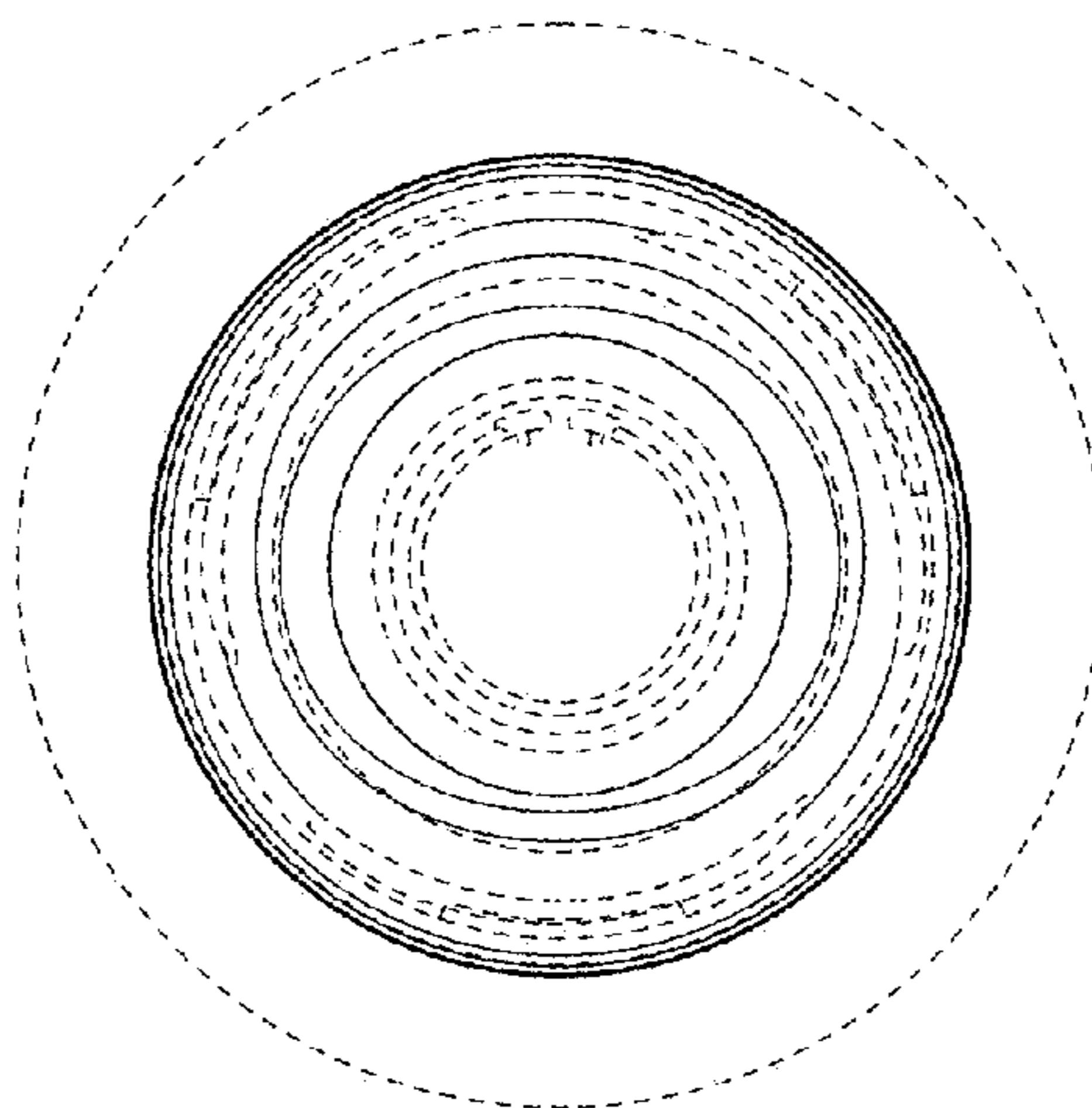


FIG. 20

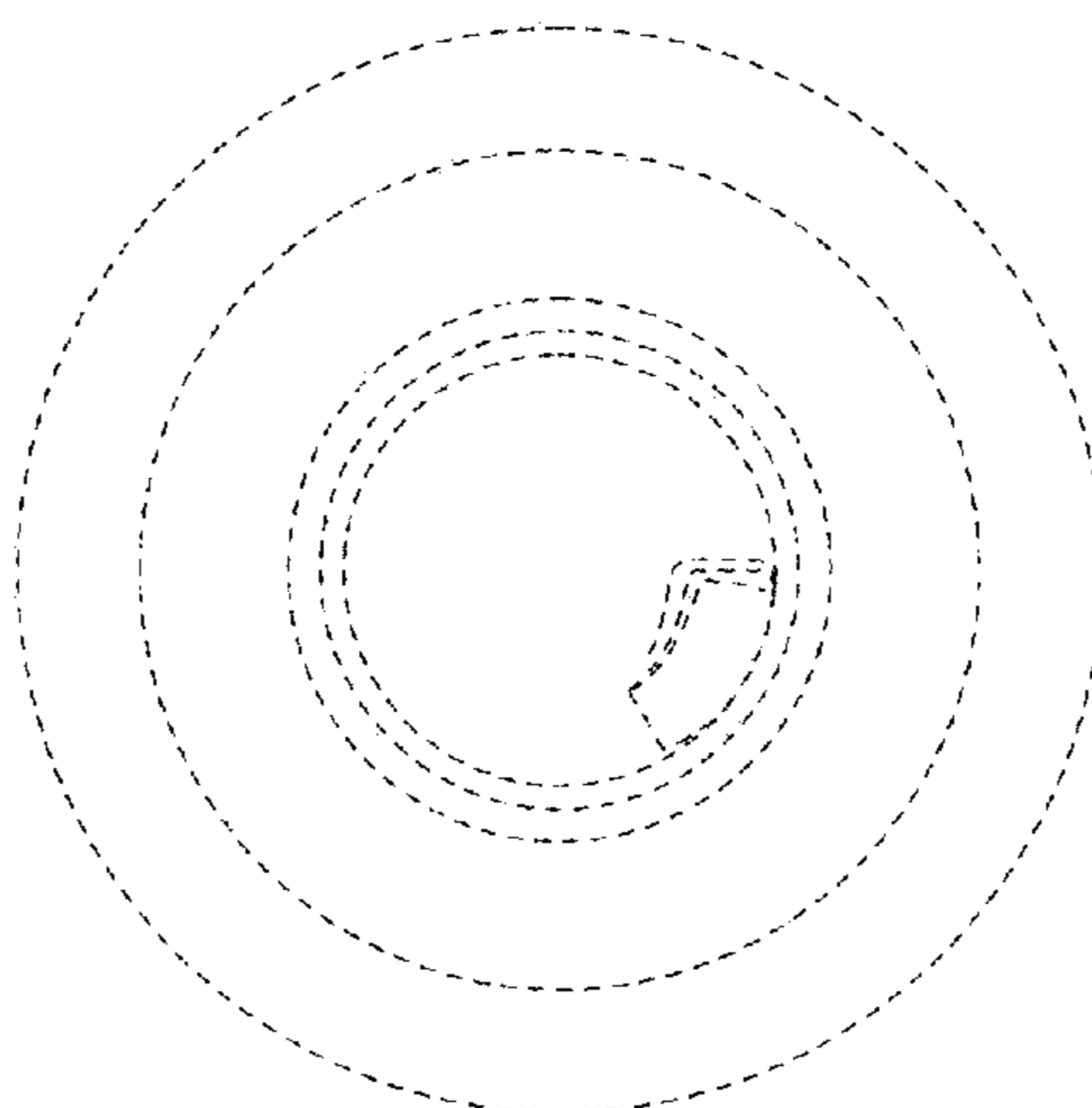


FIG. 21