



US00D716653S

(12) **United States Design Patent**
Balembois

(10) **Patent No.:** **US D716,653 S**
(45) **Date of Patent:** **** Nov. 4, 2014**

(54) **CONTAINER COUPLER**

(71) Applicant: **Eve Balembois**, Los Angeles, CA (US)

(72) Inventor: **Eve Balembois**, Los Angeles, CA (US)

(**) Term: **14 Years**

(21) Appl. No.: **29/466,305**

(22) Filed: **Sep. 6, 2013**

(51) **LOC (10) Cl.** **09-07**

(52) **U.S. Cl.**
USPC **D9/435**

(58) **Field of Classification Search**
USPC D7/391, 392, 392.1, 396.2, 510, 511,
D7/542, 629; D9/434, 435, 436, 447, 455,
D9/456, 715, 719, 739, 740, 752;
D10/101; D23/206; D24/112, 130,
D24/224; D28/7; 206/219; 215/257;
220/270, 716; 221/45, 63; 222/82,
222/153.13, 158, 321.6, 478, 521, 526, 529,
222/539, 566; 604/228

See application file for complete search history.

7,607,460	B2	10/2009	Johns	
D604,612	S *	11/2009	Germann	D9/453
D630,044	S *	1/2011	Lane et al.	D7/392.1
7,967,040	B1	6/2011	Sanford	
D642,918	S *	8/2011	Taylor	D9/453
D642,919	S *	8/2011	Taylor	D9/453
D642,920	S *	8/2011	Taylor	D9/453
D643,288	S *	8/2011	Taylor	D9/453
8,261,787	B2	9/2012	Sanford	
D681,462	S *	5/2013	Taylor	D9/453
D687,709	S *	8/2013	Taylor	D9/453
2003/0010400	A1	1/2003	Varga	
2006/0255223	A1	11/2006	Gaudet	

FOREIGN PATENT DOCUMENTS

GB	2064861	*	7/1997
WO	D040077-001	*	7/1997

* cited by examiner

Primary Examiner — Susan Bennett Hattan

Assistant Examiner — Leanne Was

(57) **CLAIM**

I claim the ornamental design for a container coupler, as shown and described.

DESCRIPTION

FIG. 1 is a front perspective view showing the environment of the invention.

FIG. 2 is a front perspective view.

FIG. 3 is a bottom perspective view.

FIG. 4 is a top view.

FIG. 5 is a bottom view.

FIG. 6 is a right side view; and,

FIG. 7 is a left side view.

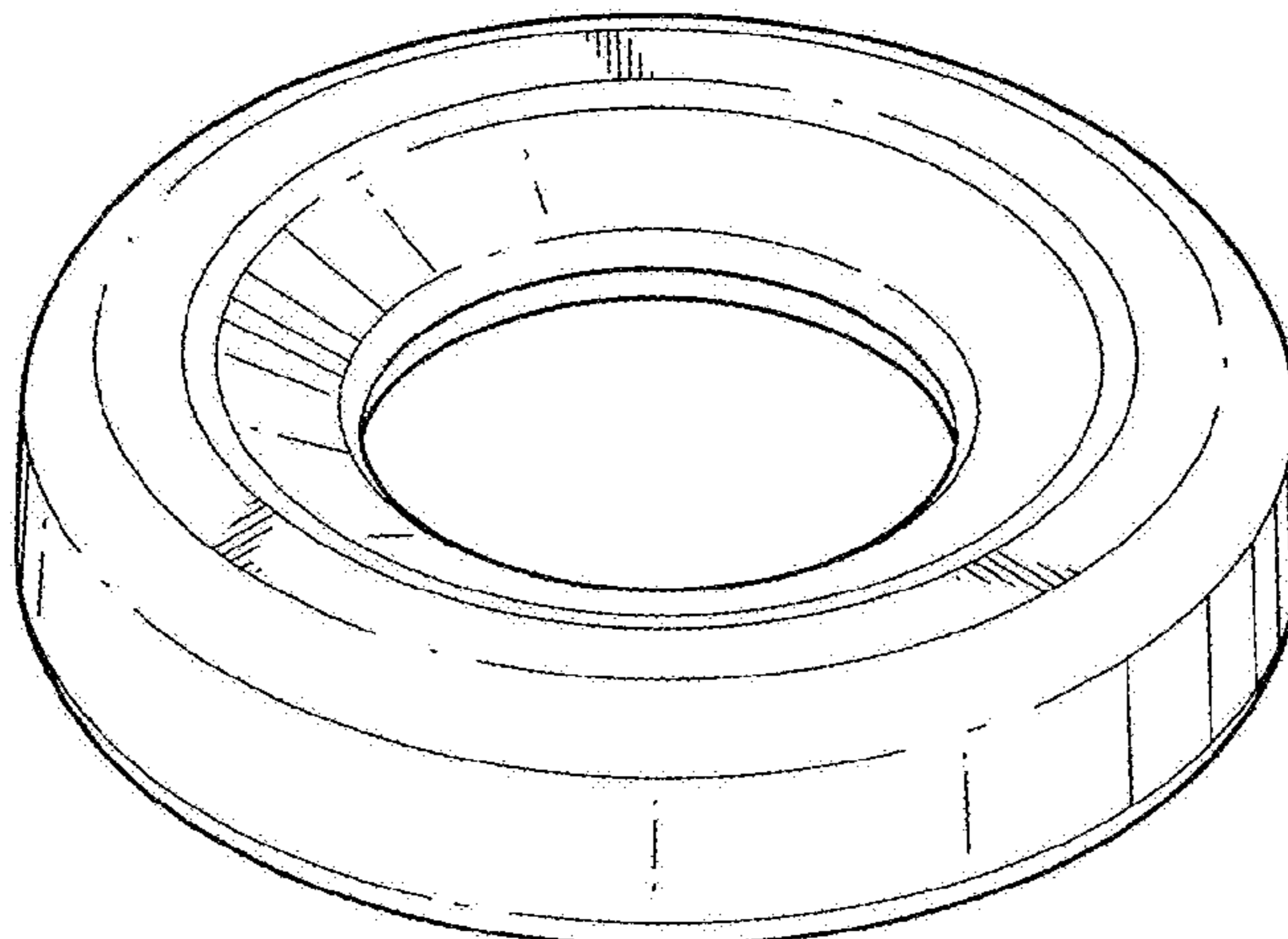
The broken lines depict environment only and form no part of the claimed design.

1 Claim, 4 Drawing Sheets

(56) **References Cited**

U.S. PATENT DOCUMENTS

3,853,159	A *	12/1974	Guerard	141/364
3,877,499	A	4/1975	Fluster	
5,655,580	A	8/1997	Schrock	
5,794,671	A	8/1998	Smith	
5,884,678	A	3/1999	Chudy	
5,918,650	A	7/1999	Borden	
5,992,662	A	11/1999	Holt	
6,182,720	B1	2/2001	Barnoski	
6,237,649	B1	5/2001	Moisio	
D525,127	S *	7/2006	Cogley et al.	D9/456
7,198,080	B2	4/2007	Foust	
D602,355	S *	10/2009	Waaland	D9/449



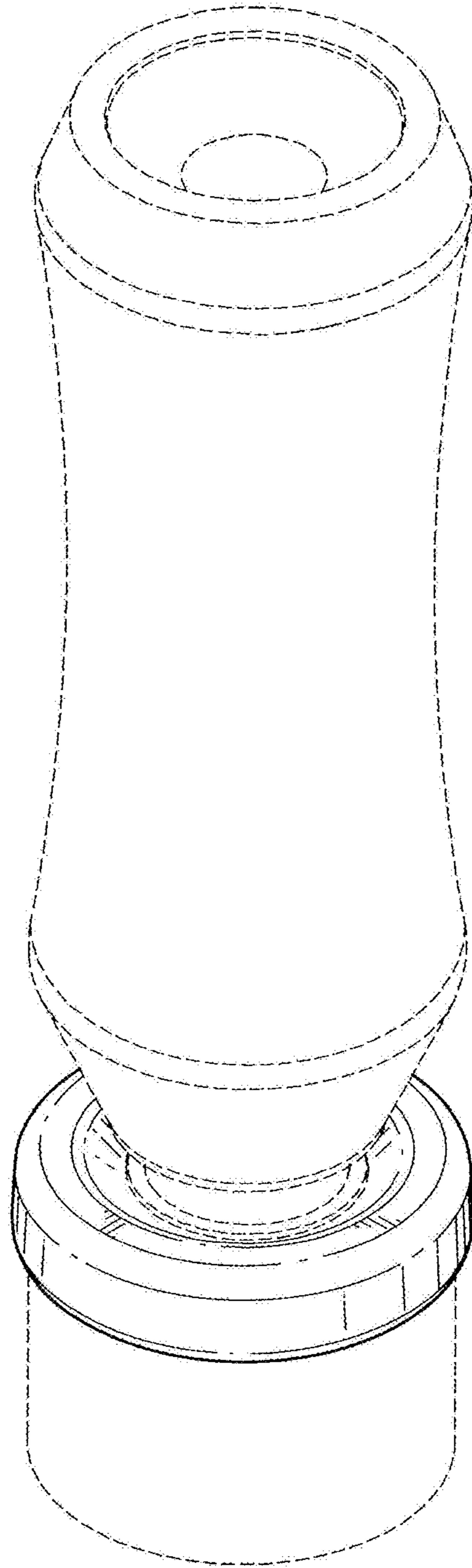


FIG. 1

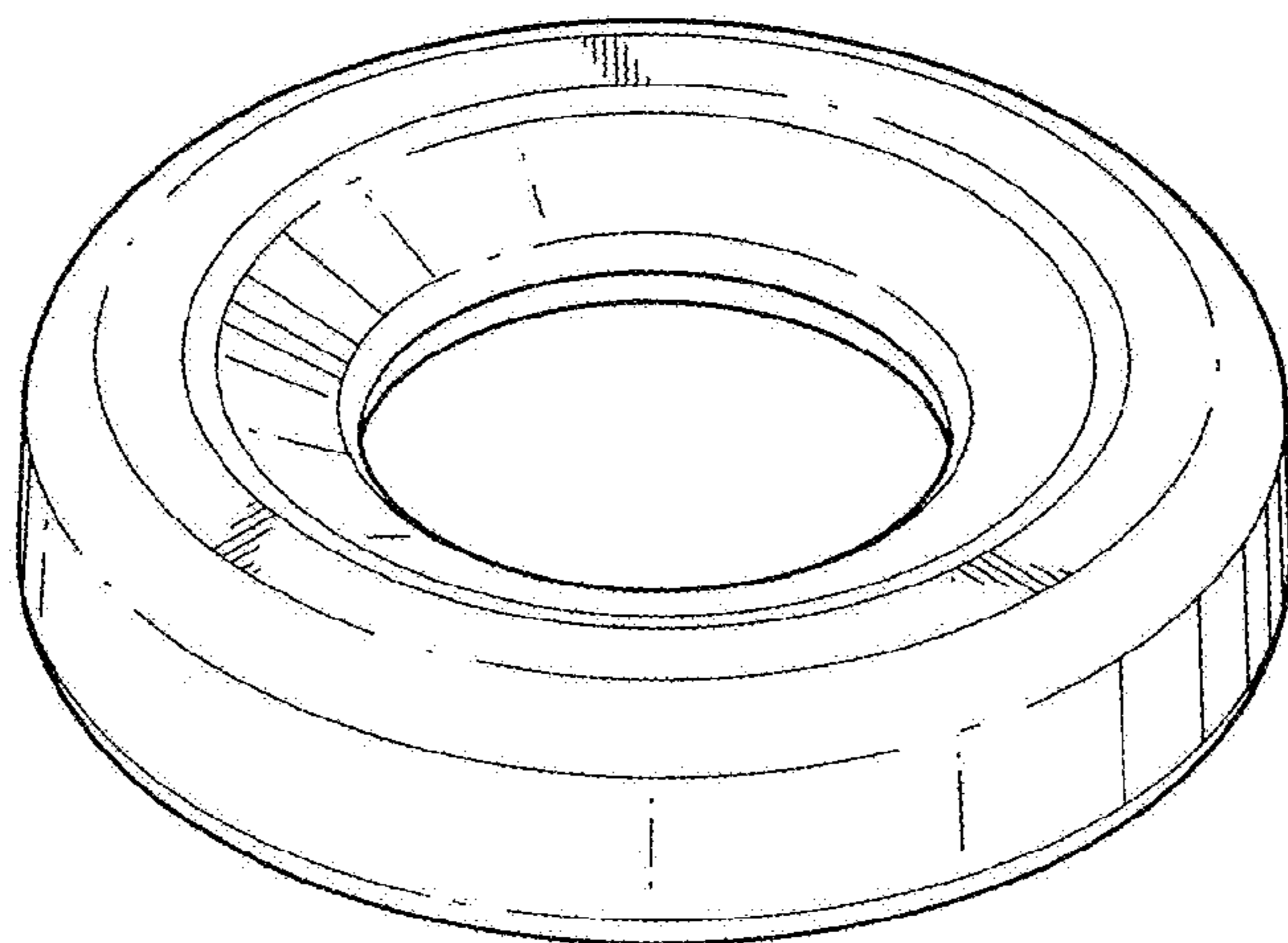


FIG. 2

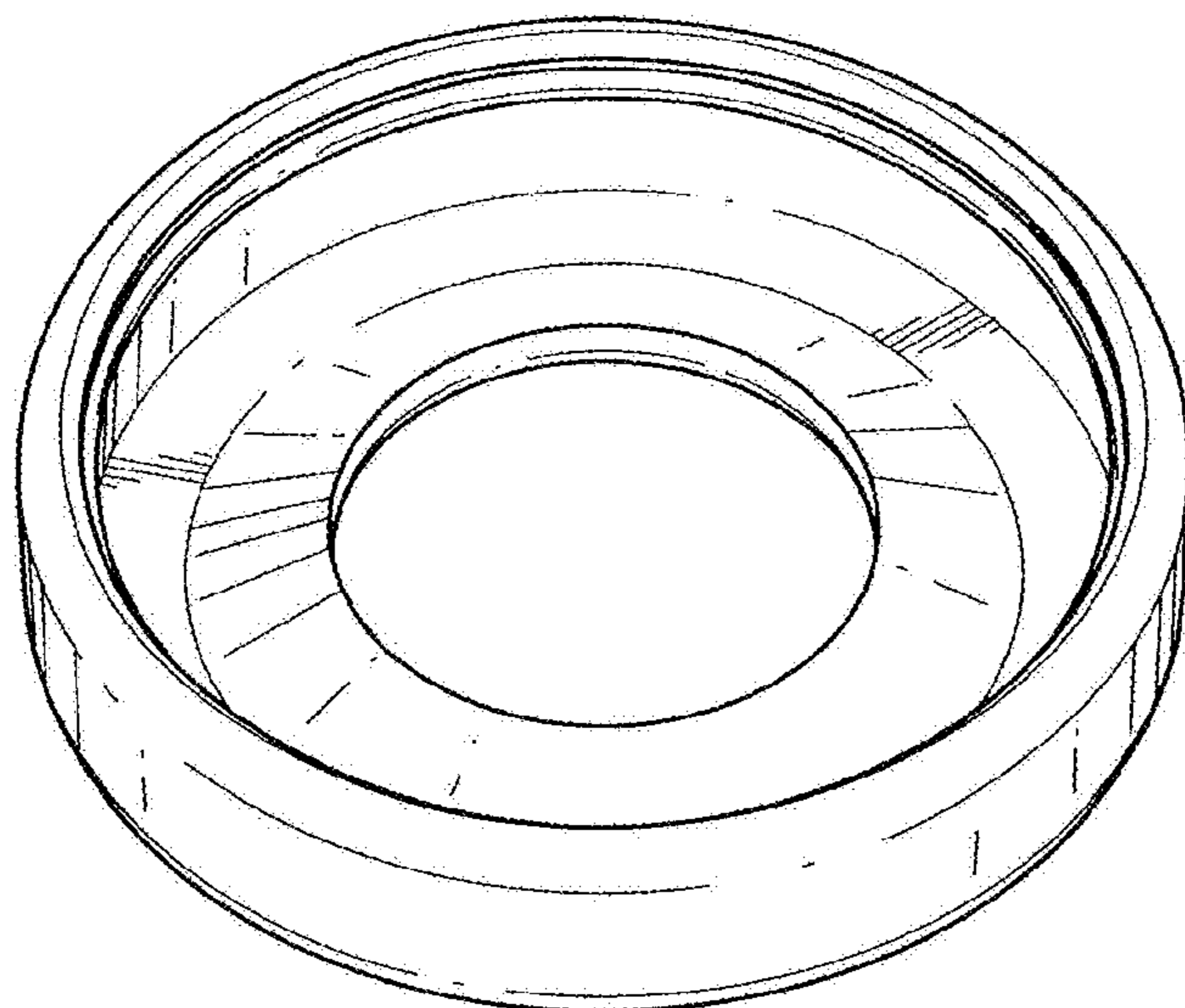


FIG. 3

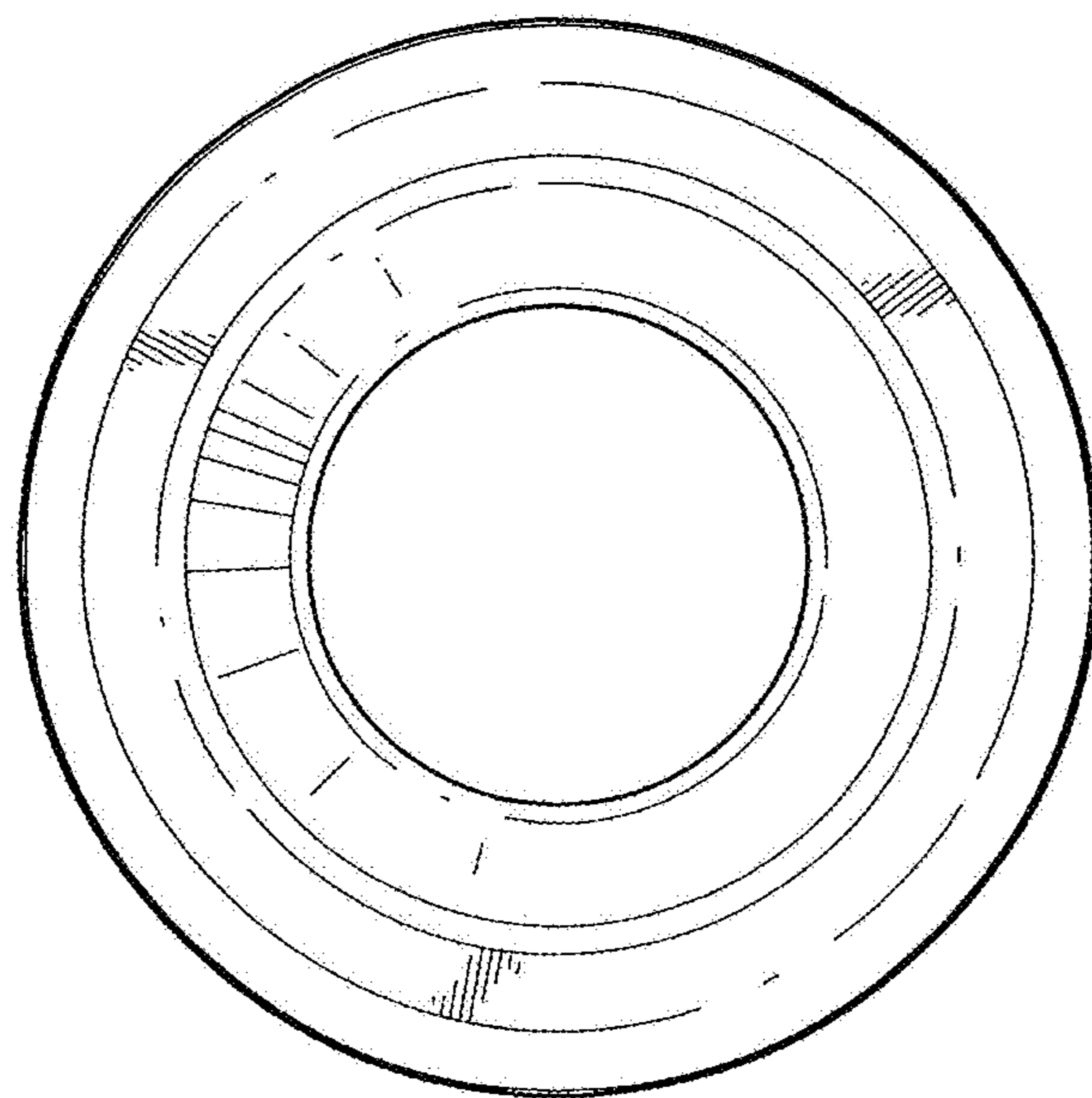


FIG. 4

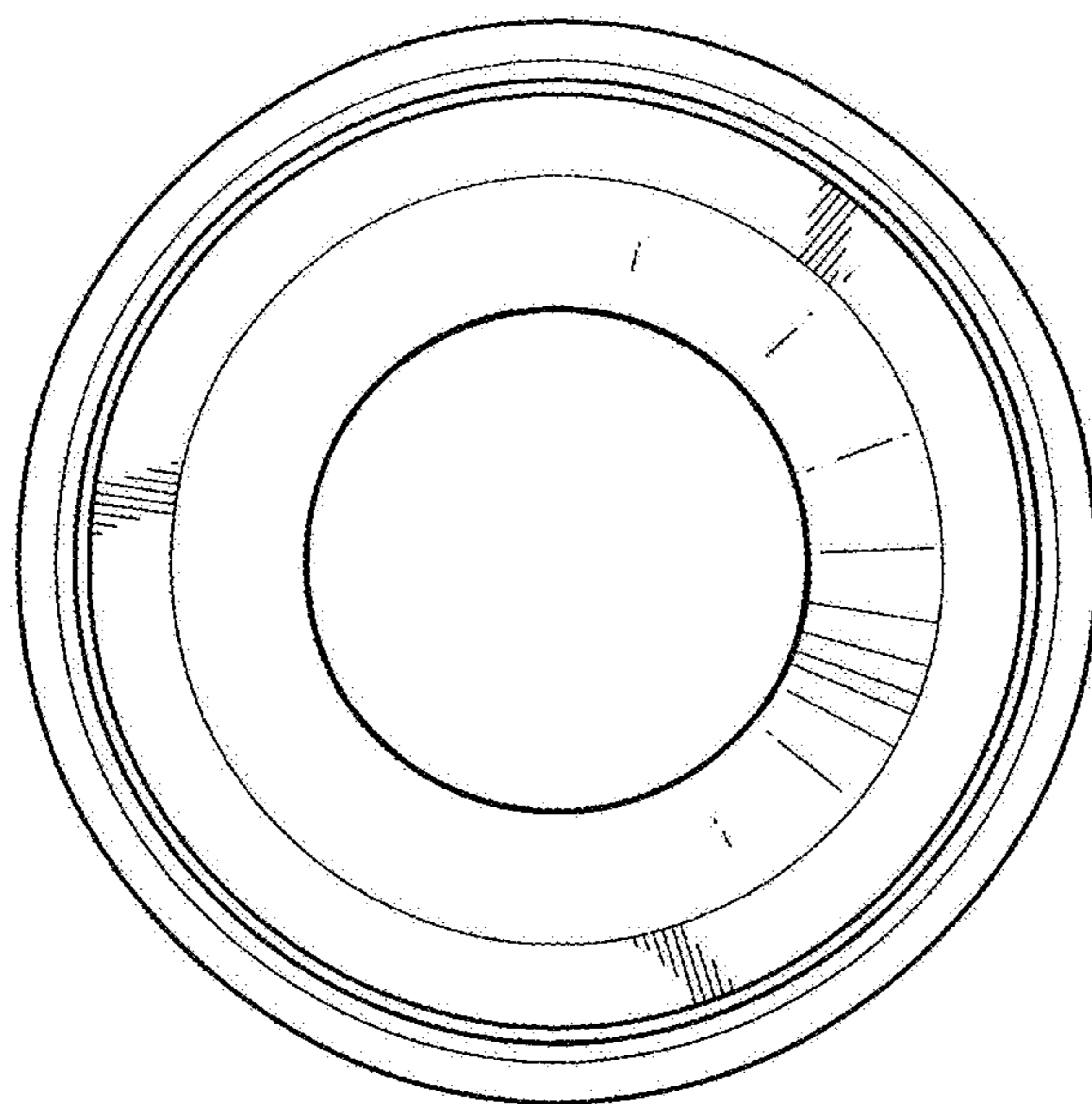


FIG. 5

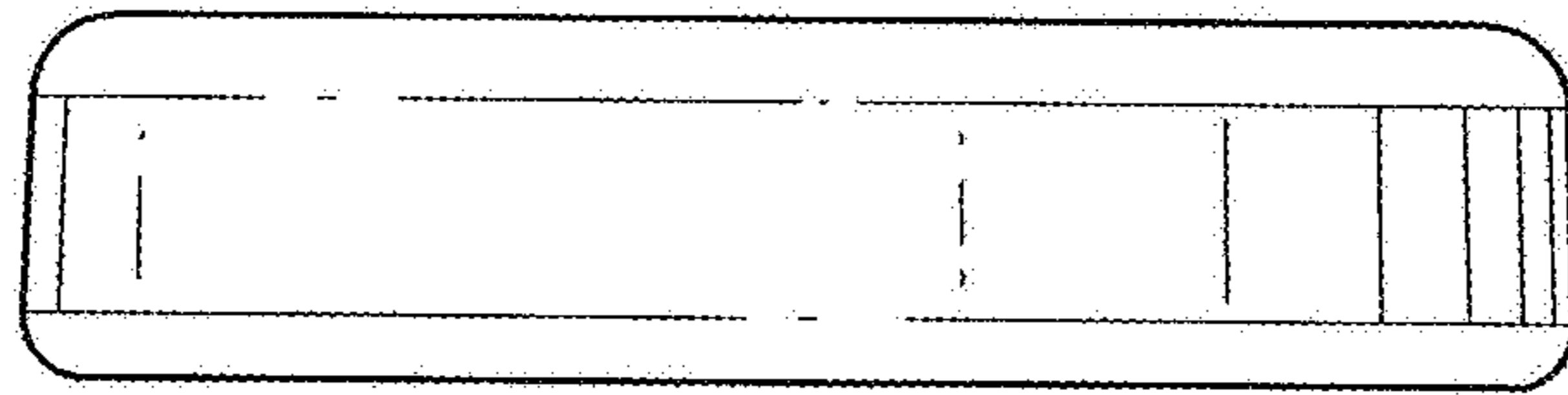


FIG. 6

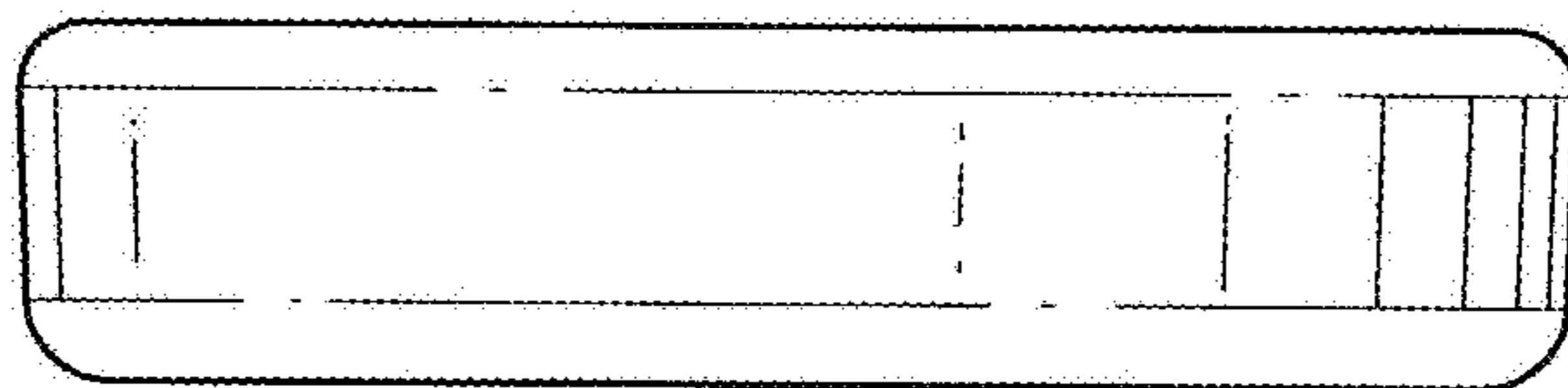


FIG. 7