



US00D716652S

(12) **United States Design Patent**  
**Abel et al.**

(10) **Patent No.:** **US D716,652 S**  
(45) **Date of Patent:** **\*\* Nov. 4, 2014**

(54) **ABSORBENT ARTICLE PACKAGE**

D446,717 S 8/2001 Lancaster et al.  
D472,142 S 3/2003 Weinmann  
D480,634 S 10/2003 Caroen  
D480,635 S 10/2003 Caroen  
D480,636 S 10/2003 Caroen  
D496,859 S 10/2004 Hamuro et al.  
D527,250 S 8/2006 Conrad et al.

(71) Applicant: **The Procter & Gamble Company,**  
Cincinnati, OH (US)

(72) Inventors: **Danielle Lee Abel,** Cincinnati, OH (US);  
**Randall Eugene Houser,** West Harrison,  
IN (US); **Catherine Suzanne Sonnett,**  
Norwood, OH (US)

(Continued)

**OTHER PUBLICATIONS**

(73) Assignee: **The Procter & Gamble Company,**  
Cincinnati, OH (US)

U.S. Appl. No. 29/471,186, filed Oct. 29, 2013, Abel, et al.

(Continued)

(\*\*) Term: **14 Years**

*Primary Examiner* — Robert M Spear

(21) Appl. No.: **29/471,196**

(74) *Attorney, Agent, or Firm* — George H. Leal; Megan C. Hymore

(22) Filed: **Oct. 29, 2013**

(57) **CLAIM**

The ornamental design for an absorbent article package, as shown and described.

**Related U.S. Application Data**

(62) Division of application No. 29/401,282, filed on Sep. 9, 2011, now abandoned.

**DESCRIPTION**

(51) **LOC (10) Cl.** ..... **09-07**

(52) **U.S. Cl.**  
USPC ..... **D9/434**

(58) **Field of Classification Search**  
CPC ..... B65D 85/00  
USPC ..... D9/414, 418, 420, 423, 424, 425, 427,  
D9/430, 432, 433, 434, 435, 456, 629, 707,  
D9/734, 623, 658, 667; D3/270-271.1;  
D6/515, 518; 220/4.23, 265, 268, 409,  
220/482, 494, 776, 778, 784; 206/769, 776  
See application file for complete search history.

The file of this patent contains at least one drawing executed in color. Copies of this patent with color drawings will be provided by the Office upon request and payment of the necessary fee.

FIG. 1 is a perspective front view of an absorbent article package embodying the new design;  
FIG. 2 is a front view of the design shown in FIG. 1;  
FIG. 3 is a right side view of the design shown in FIG. 1; the left side and back views are the same and thus omitted; and, FIG. 4 is a top view of the design shown in FIG. 1; the bottom view is the same and is thus omitted.

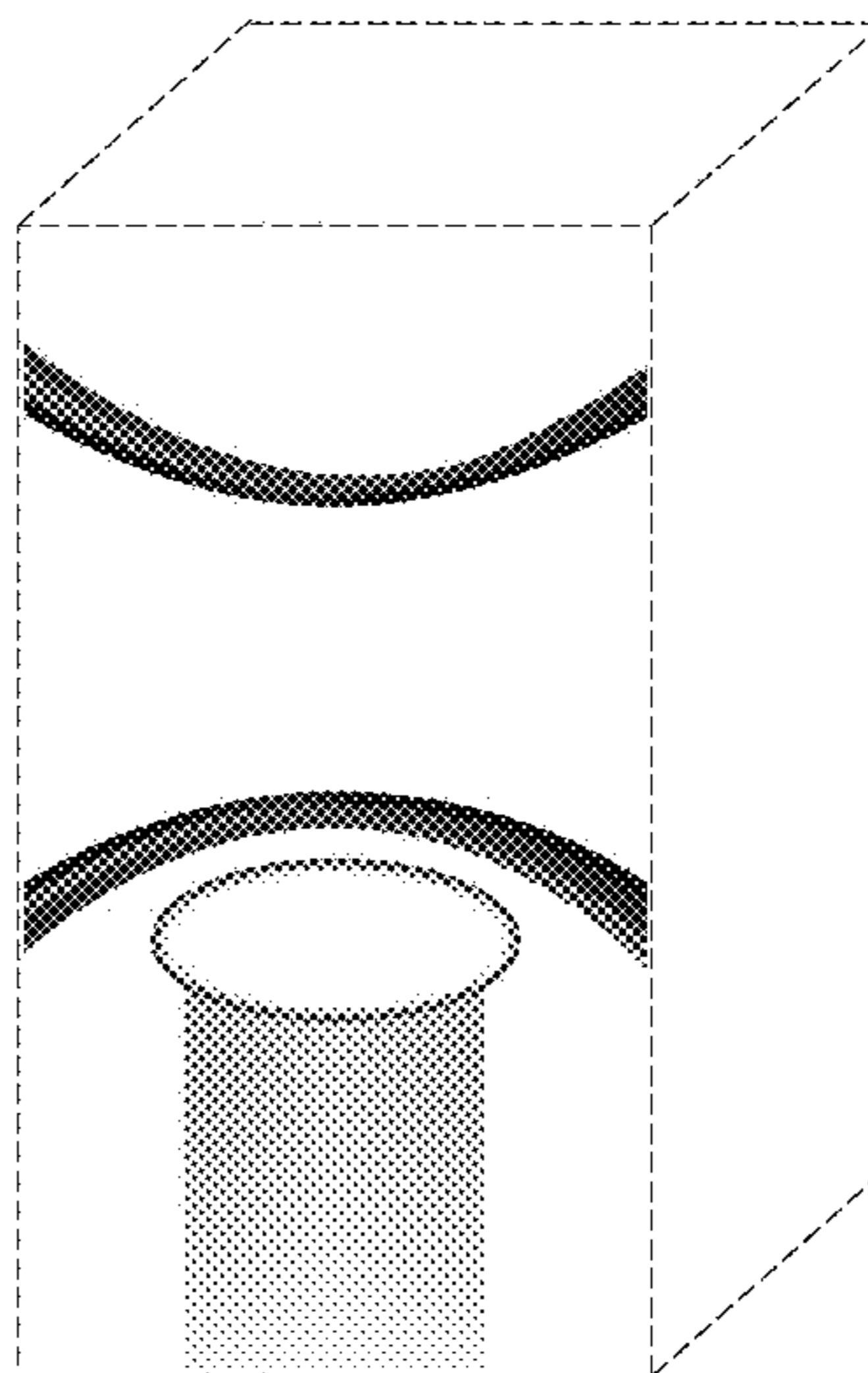
Broken lines shown in the figures described above depict environmental subject matter only and form no part of the claimed design.

(56) **References Cited**

**U.S. PATENT DOCUMENTS**

D69,625 S 3/1926 Anderson  
D259,102 S 5/1981 Grodin

**1 Claim, 4 Drawing Sheets**  
**(2 of 4 Drawing Sheet(s) Filed in Color)**



(56)

**References Cited**

U.S. PATENT DOCUMENTS

D527,253 S 8/2006 Hamuro et al.  
 D540,163 S 4/2007 Claussen  
 D554,500 S 11/2007 Bone et al.  
 D562,125 S 2/2008 Kienemund-Paroll  
 D562,126 S 2/2008 Kienemund-Paroll  
 D571,653 S 6/2008 Kienemund-Paroll  
 D576,031 S 9/2008 Bone et al.  
 D576,873 S 9/2008 Kim  
 D590,253 S 4/2009 Seol et al.  
 D599,201 S 9/2009 Seol et al.  
 D599,657 S 9/2009 Bruno et al.  
 D600,548 S 9/2009 Seol et al.  
 D603,701 S 11/2009 Seol et al.  
 D608,636 S 1/2010 Seol  
 D644,580 S 9/2011 Markowitz et al.  
 D646,562 S 10/2011 Liebowitz et al.

D649,041 S 11/2011 Dowden et al.  
 D650,273 S 12/2011 Tekulve et al.  
 D654,370 S 2/2012 Campbell et al.  
 D655,157 S 3/2012 Hablutzet et al.  
 D656,016 S 3/2012 Hablutzet et al.  
 D656,017 S 3/2012 Macaulay et al.  
 D656,018 S 3/2012 Hablutzet et al.  
 D659,011 S 5/2012 Lee  
 D659,012 S 5/2012 Subler  
 D661,200 S 6/2012 Subler  
 D666,091 S 8/2012 Klopp et al.  
 D672,646 S 12/2012 Vanden Boom et al.  
 D693,680 S 11/2013 Klopp et al.  
 D701,760 S \* 4/2014 Fraser et al. .... D9/434  
 D703,041 S \* 4/2014 Abel et al. .... D9/434

OTHER PUBLICATIONS

U.S. Appl. No. 29/471,191, filed Oct. 29, 2013, Abel, et al.

\* cited by examiner

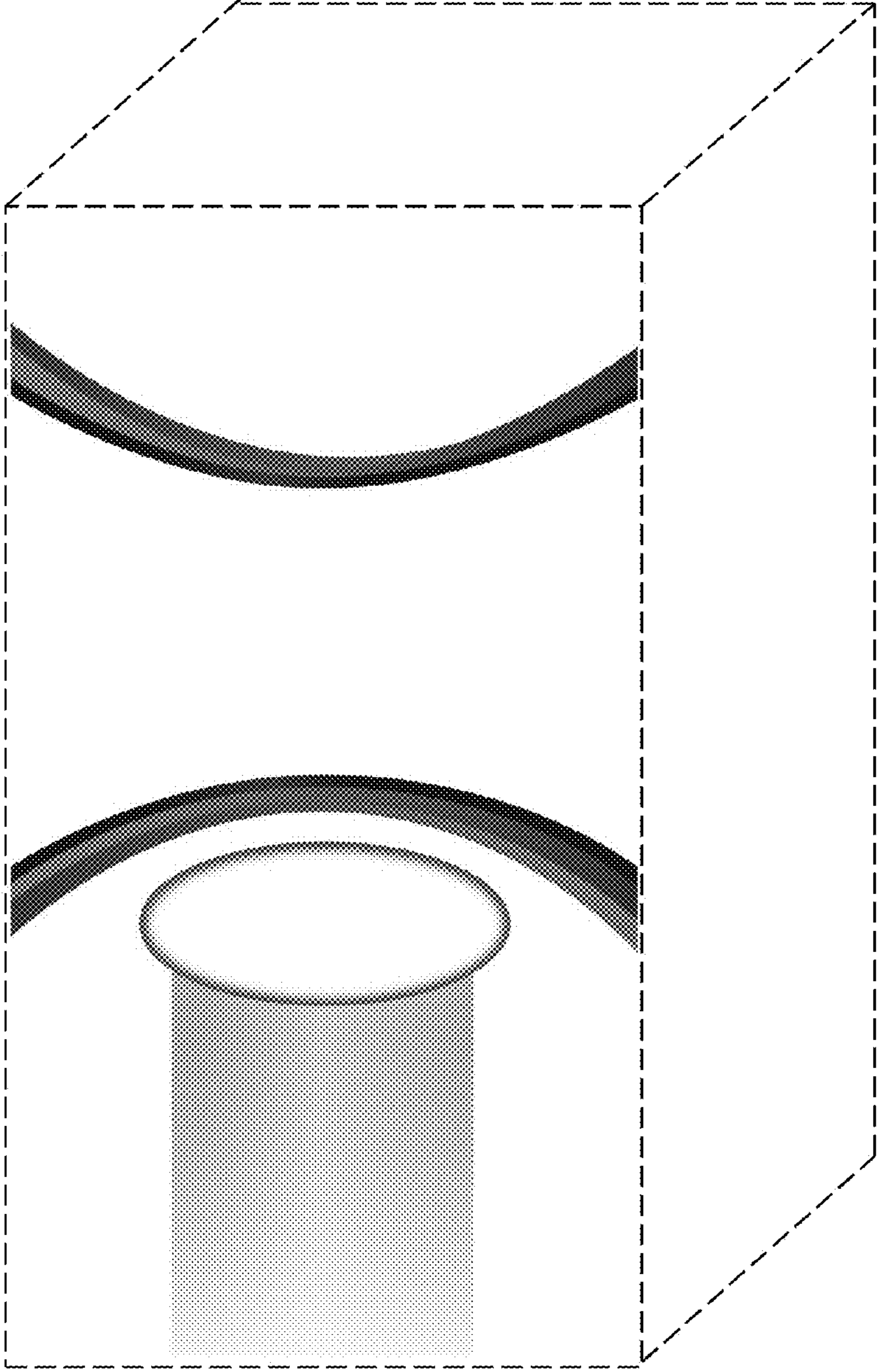


Figure 1

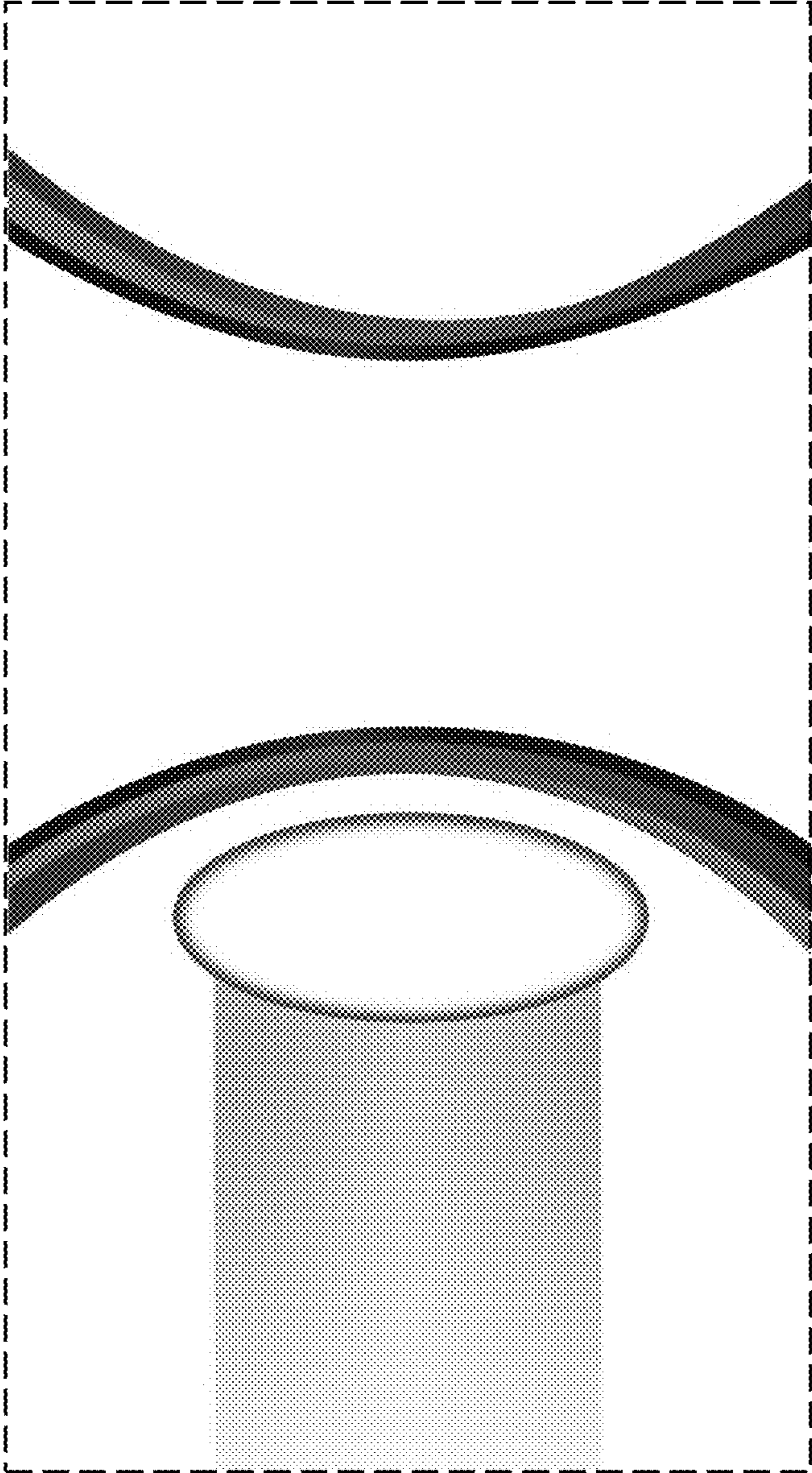


Figure 2

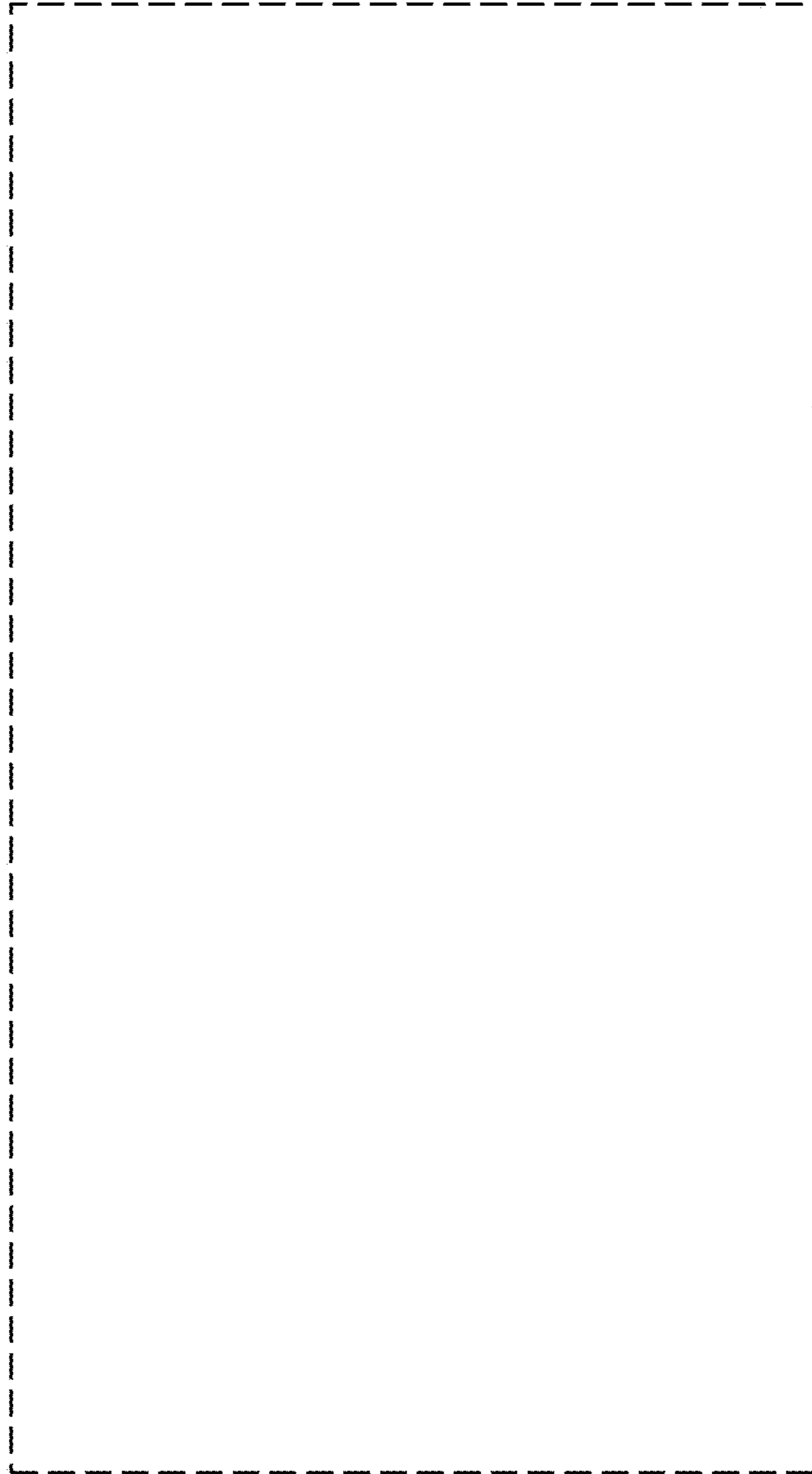


Figure 3



Figure 4