



US00D716649S

(12) **United States Design Patent**  
**McAdam**

(10) **Patent No.:** **US D716,649 S**

(45) **Date of Patent:** **\*\* Nov. 4, 2014**

(54) **BOX**

(71) Applicant: **Leo Paper Bags Manufacturing (1982) Limited**, Kowloon (HK)

(72) Inventor: **Christine McAdam**, Issaquah, WA (US)

(73) Assignee: **Leo Paper Bags Manufacturing (1982) Limited**, Kowloon (HK)

(\*\*) Term: **14 Years**

(21) Appl. No.: **29/433,527**

(22) Filed: **Oct. 1, 2012**

(51) **LOC (10) Cl.** ..... **09-03**

(52) **U.S. Cl.**  
USPC ..... **D9/418**

(58) **Field of Classification Search**

USPC ..... D9/414, 415, 416, 417, 418, 419, 420,  
D9/424, 430, 431-433, 440, 457, 346, 732,  
D9/703, 423, 772, 776-779; D6/682.4;  
D11/207; 40/124.01, 124.16, 124.191;  
206/39, 337, 538, 704, 461, 462, 463,  
206/471; 229/72, 75, 113, 116

See application file for complete search history.

(56) **References Cited**

**U.S. PATENT DOCUMENTS**

4,732,269	A	*	3/1988	Roy	.....	206/751
D339,059	S	*	9/1993	Koehler	.....	D9/737
D396,004	S	*	7/1998	Srinual	.....	D3/294
D437,779	S	*	2/2001	Randall et al.	.....	D9/418
D490,703	S	*	6/2004	Rusnock	.....	D9/416
D552,984	S	*	10/2007	Baron	.....	D9/432

\* cited by examiner

*Primary Examiner* — Ian Simmons

*Assistant Examiner* — Rhea Shields

(74) *Attorney, Agent, or Firm* — Wolf, Greenfield & Sacks, P.C.

(57) **CLAIM**

The ornamental design for box, as shown and described.

**DESCRIPTION**

FIG. 1 is a perspective view of a first embodiment of the box in a closed position;

FIG. 2 is a front view of the box shown in FIG. 1;

FIG. 3 is rear view of the box shown in FIG. 1;

FIG. 4 is a left end view of the box shown in FIG. 1;

FIG. 5 is a right end view of the box shown in FIG. 1;

FIG. 6 is a top view of the box shown in FIG. 1;

FIG. 7 is a bottom view of the box shown in FIG. 1;

FIG. 8 is a perspective view of the box shown in FIG. 1 in an open position;

FIG. 9 is a perspective view of a second embodiment of the box in an open position;

FIG. 10 is a front view of the box shown in FIG. 9;

FIG. 11 is a rear view of the box shown in FIG. 9;

FIG. 12 is right end view of the box shown in FIG. 9;

FIG. 13 is a left end view of the box shown in FIG. 9;

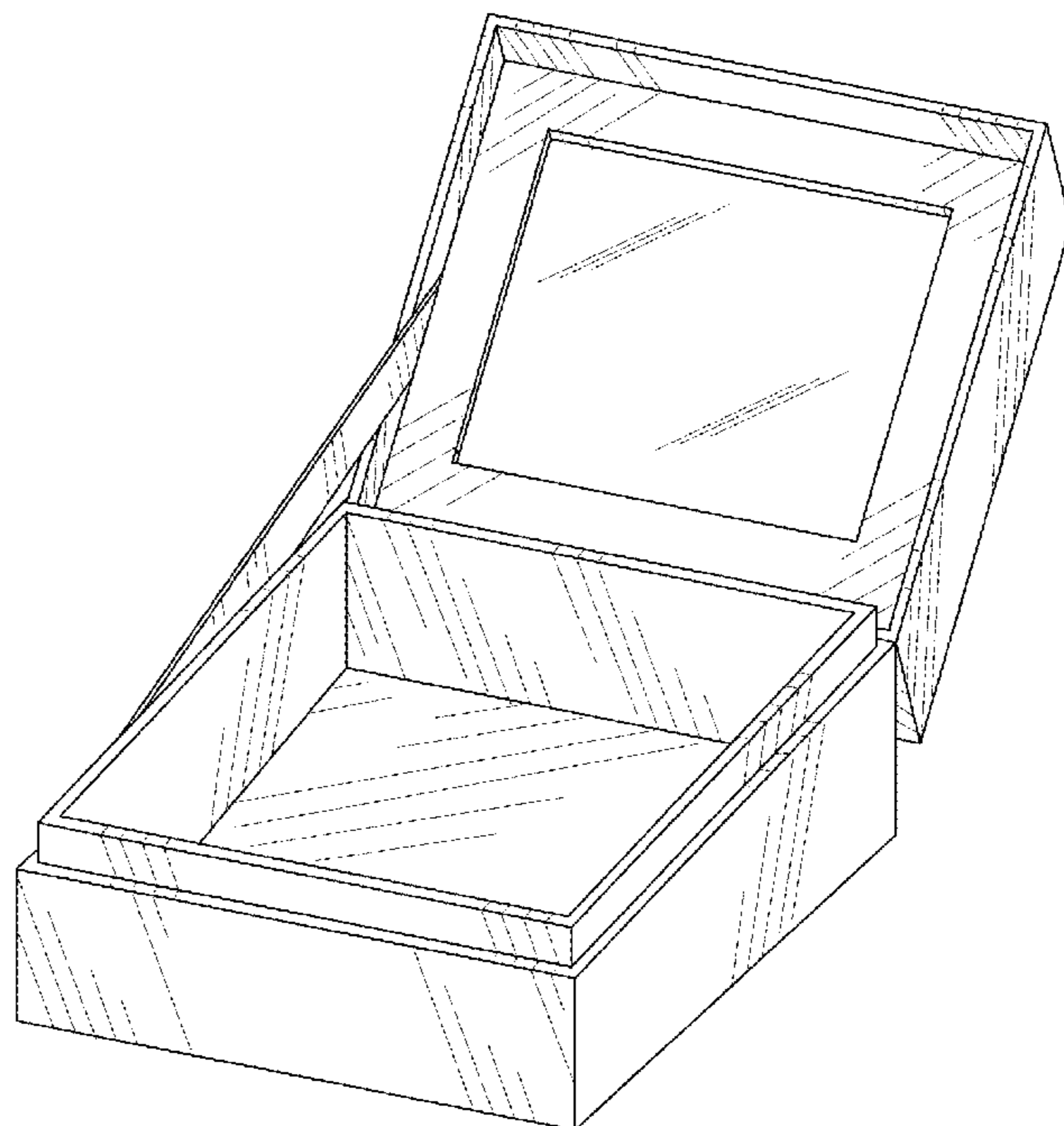
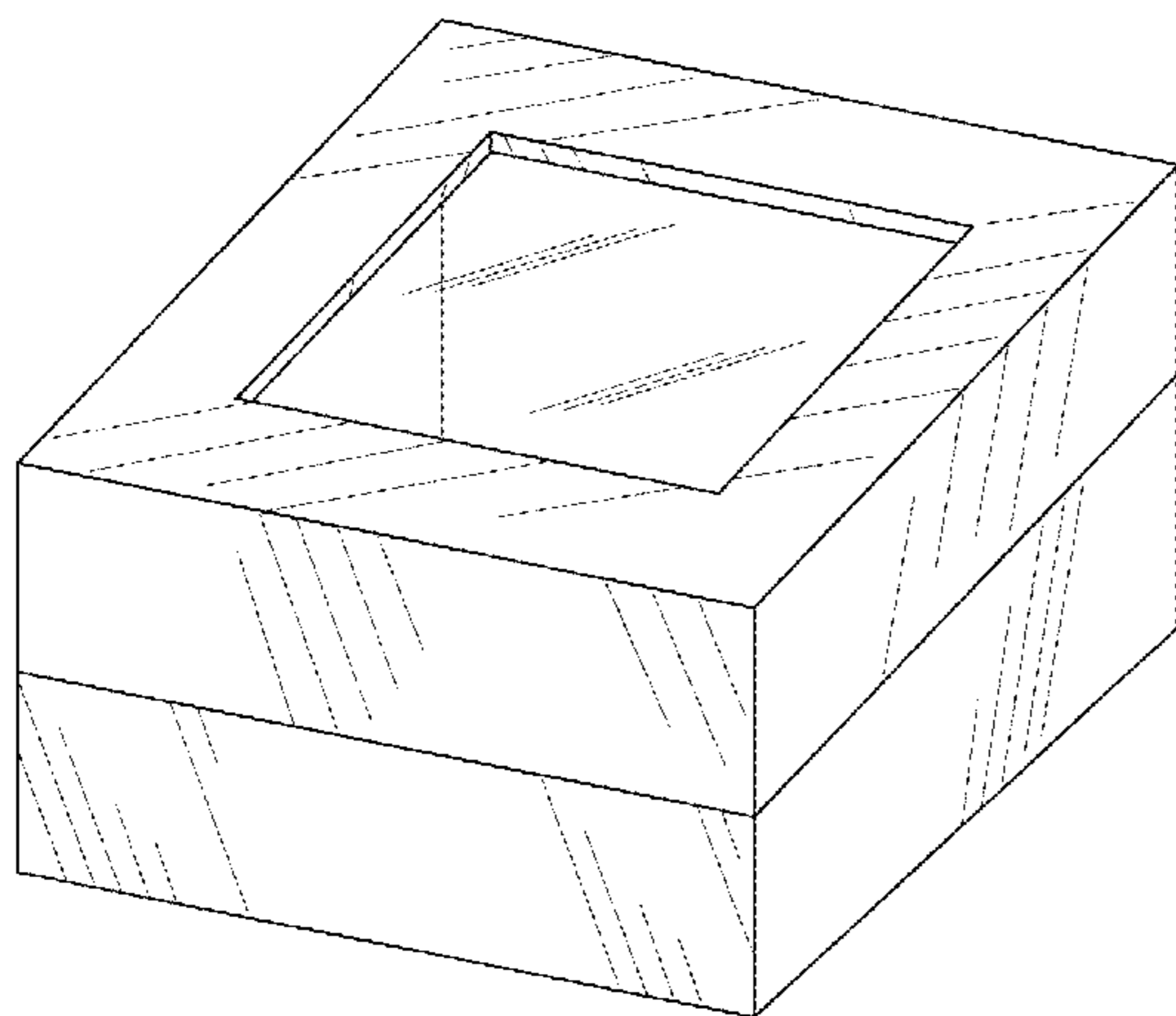
FIG. 14 is a top view of the box shown in FIG. 9;

FIG. 15 is a bottom view of the box shown in FIG. 9; and,

FIG. 16 is a right end view of the box shown in FIG. 9 in a closed position.

The oblique shade lines in FIGS. 1, 2, 6, 8-10 and 14 illustrate transparent surfaces.

**1 Claim, 16 Drawing Sheets**



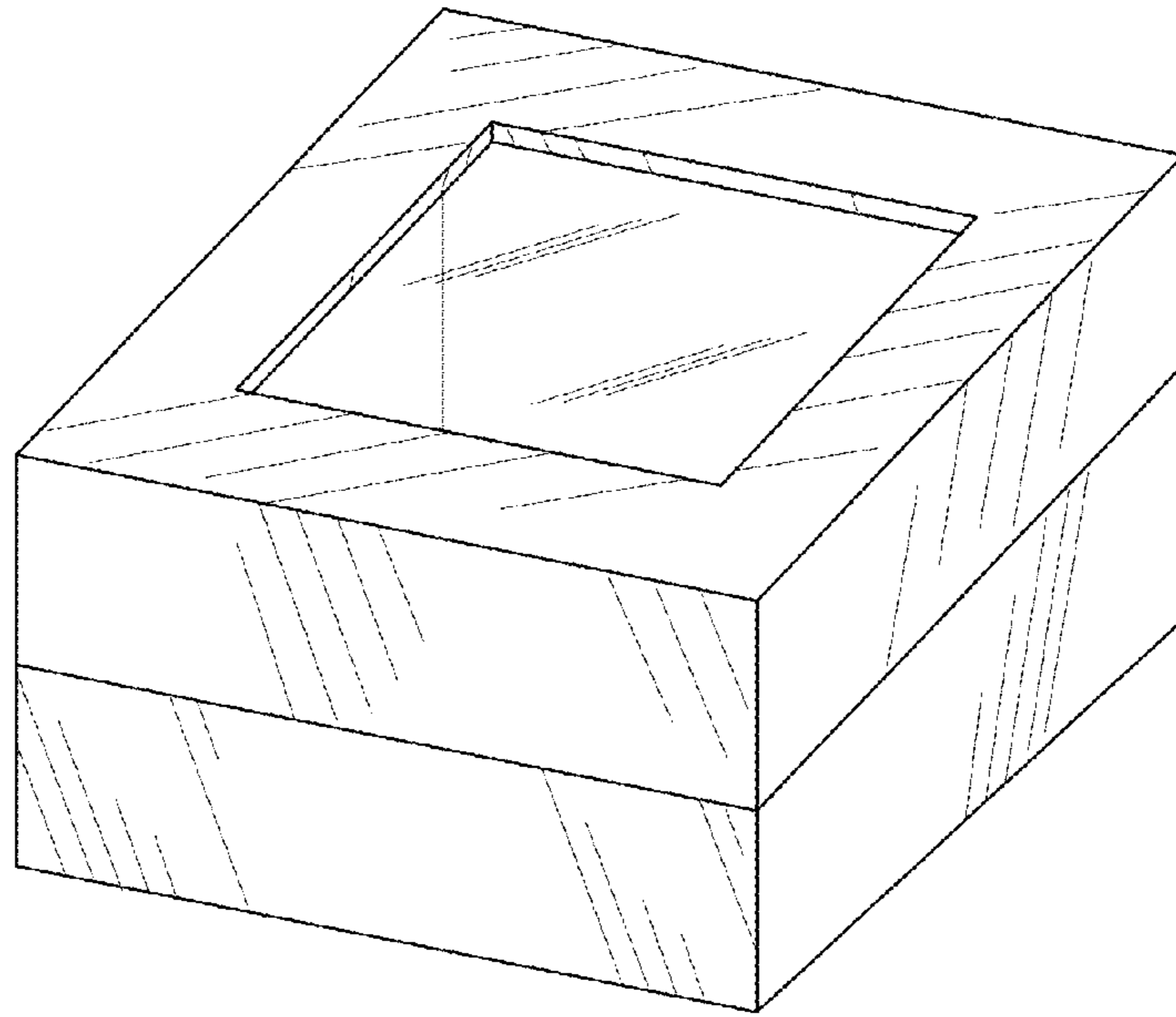


FIG.1

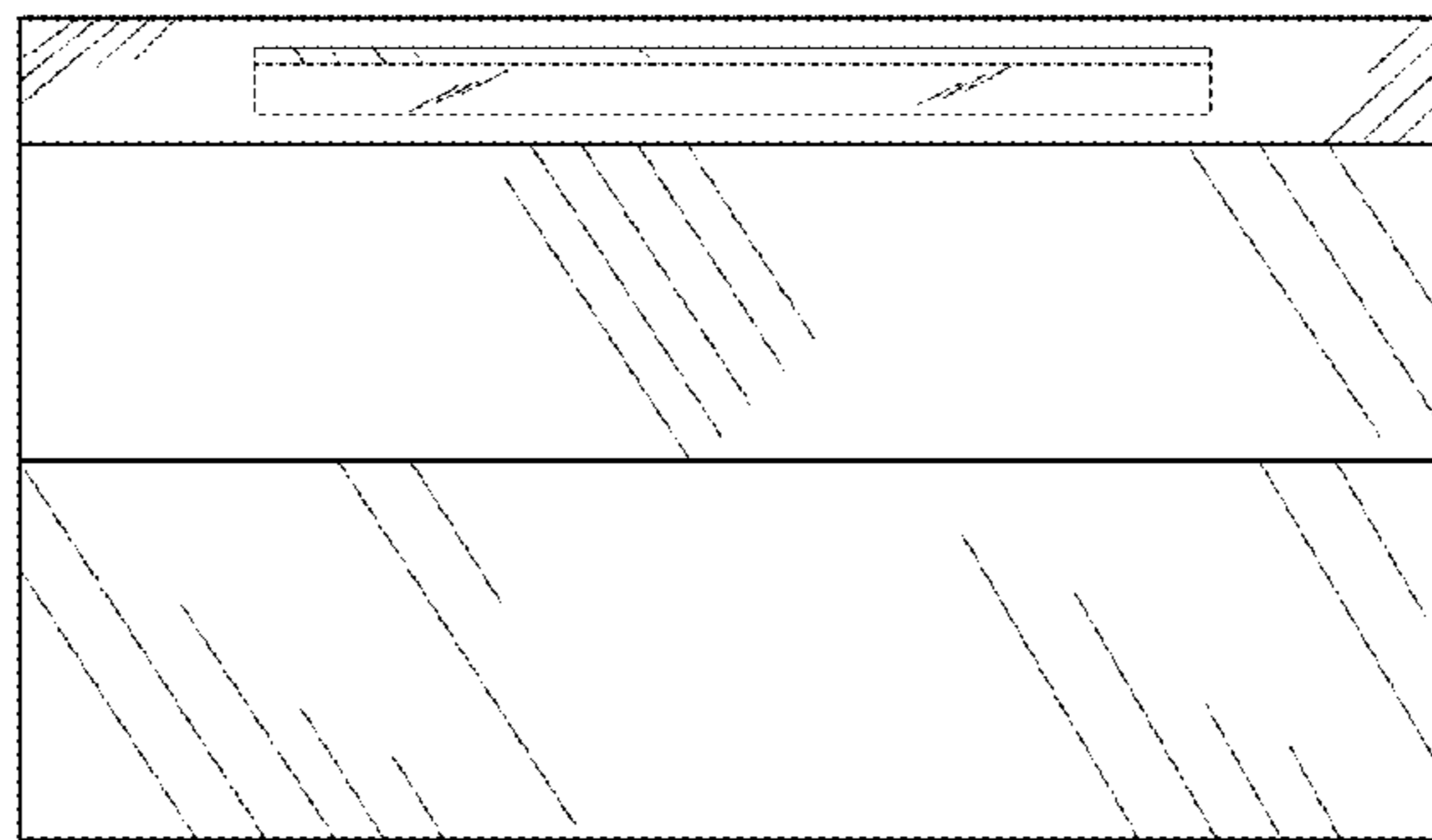


FIG.2

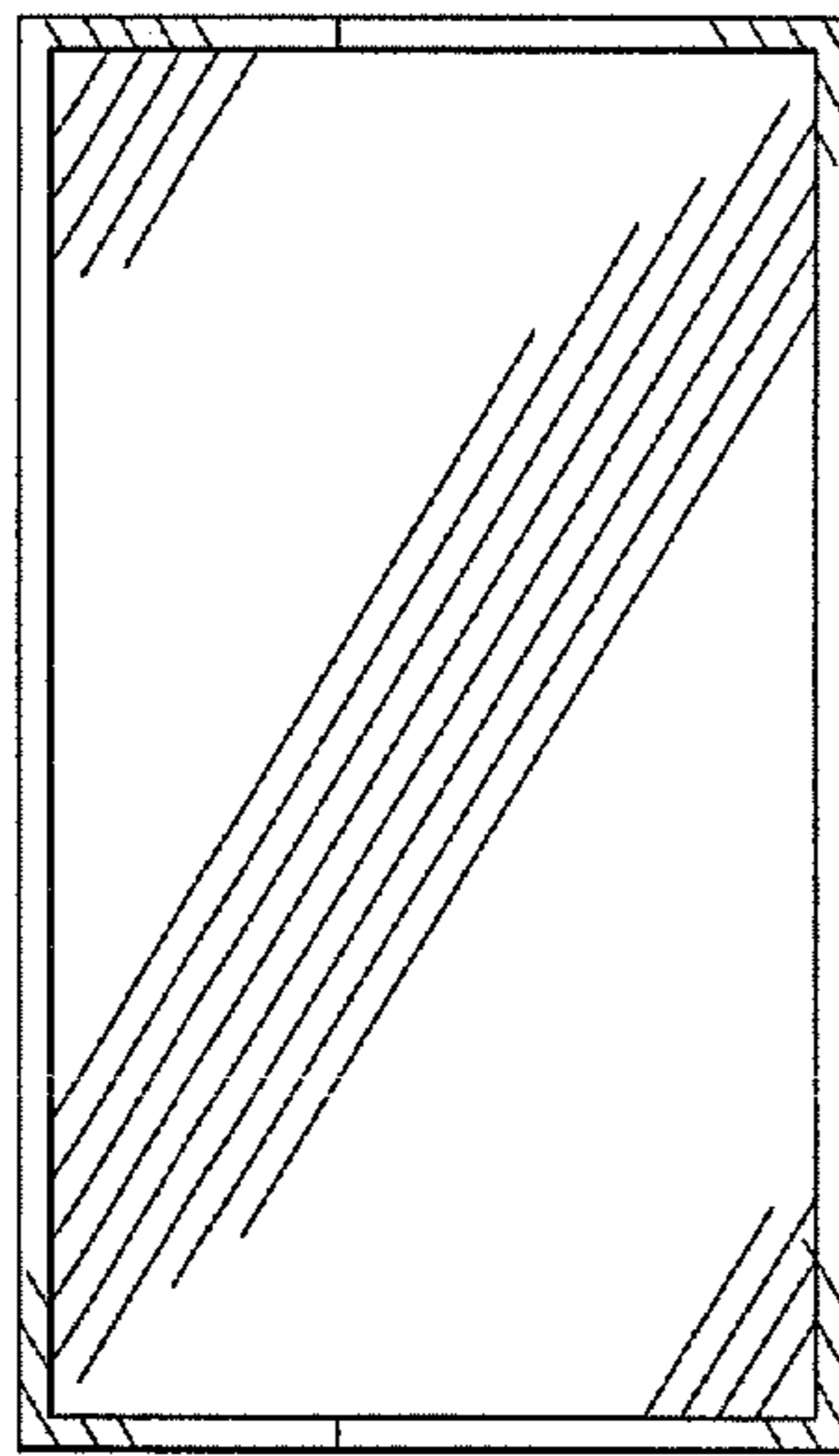


FIG. 3

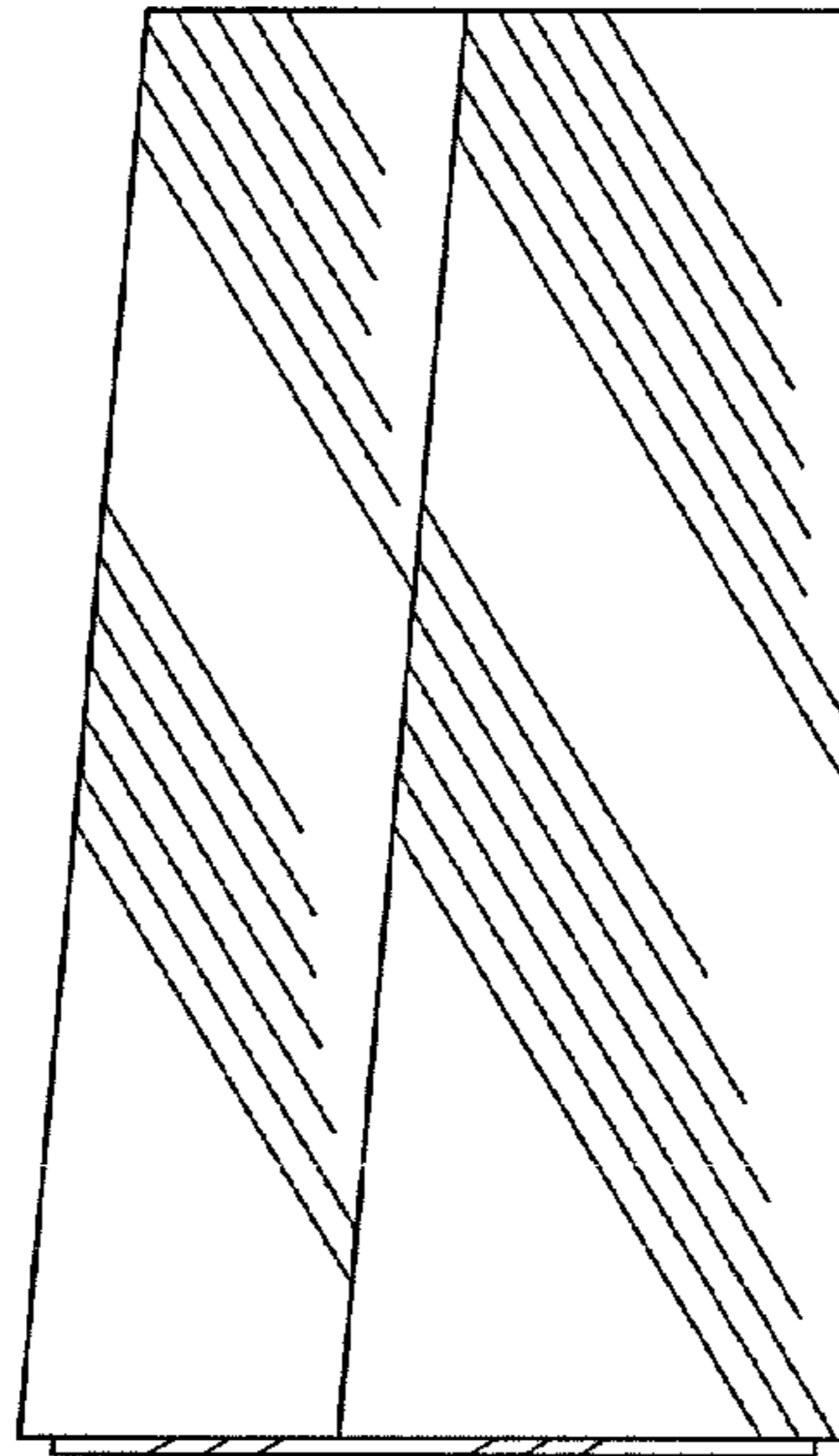


FIG. 4

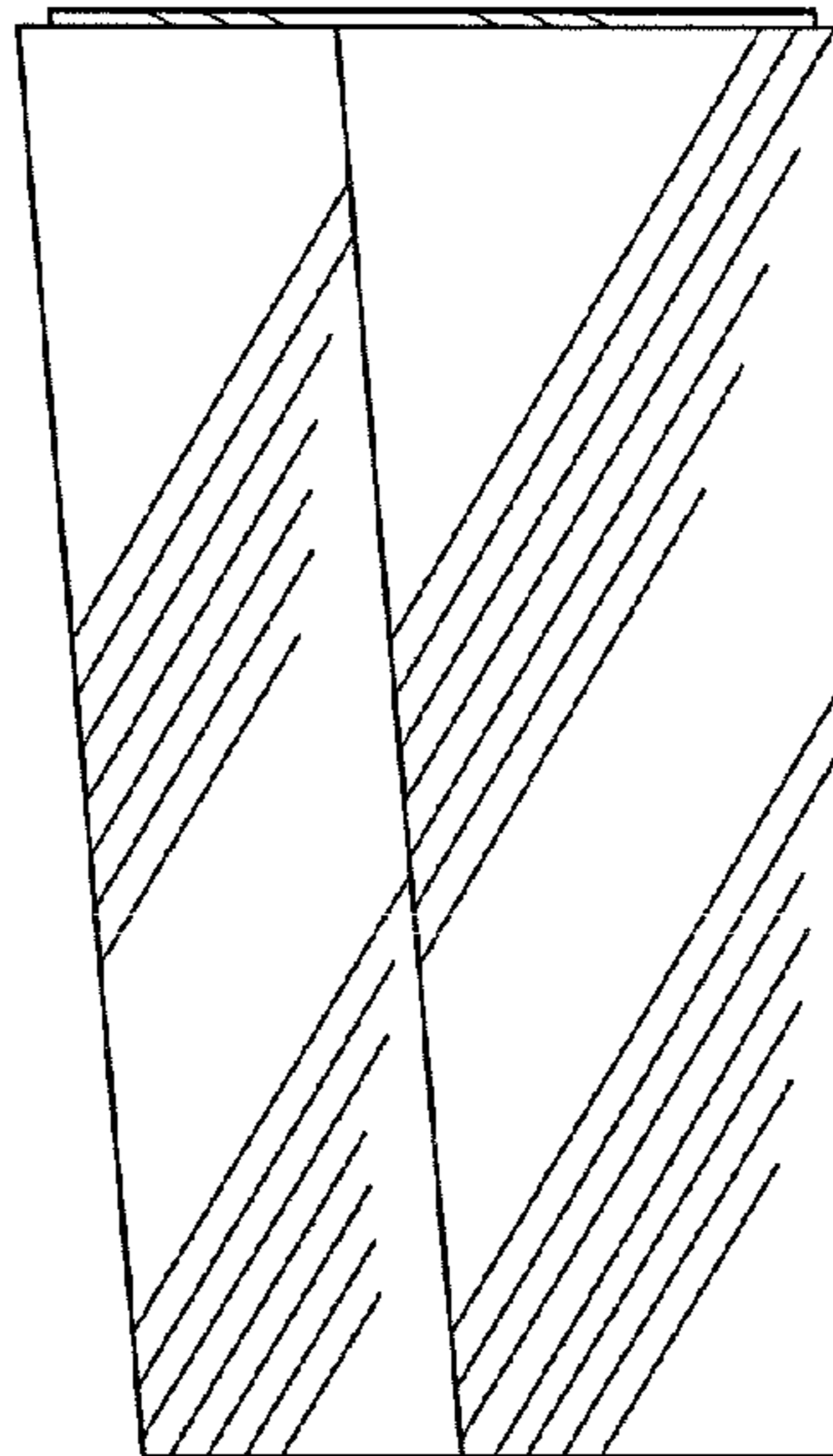


FIG. 5

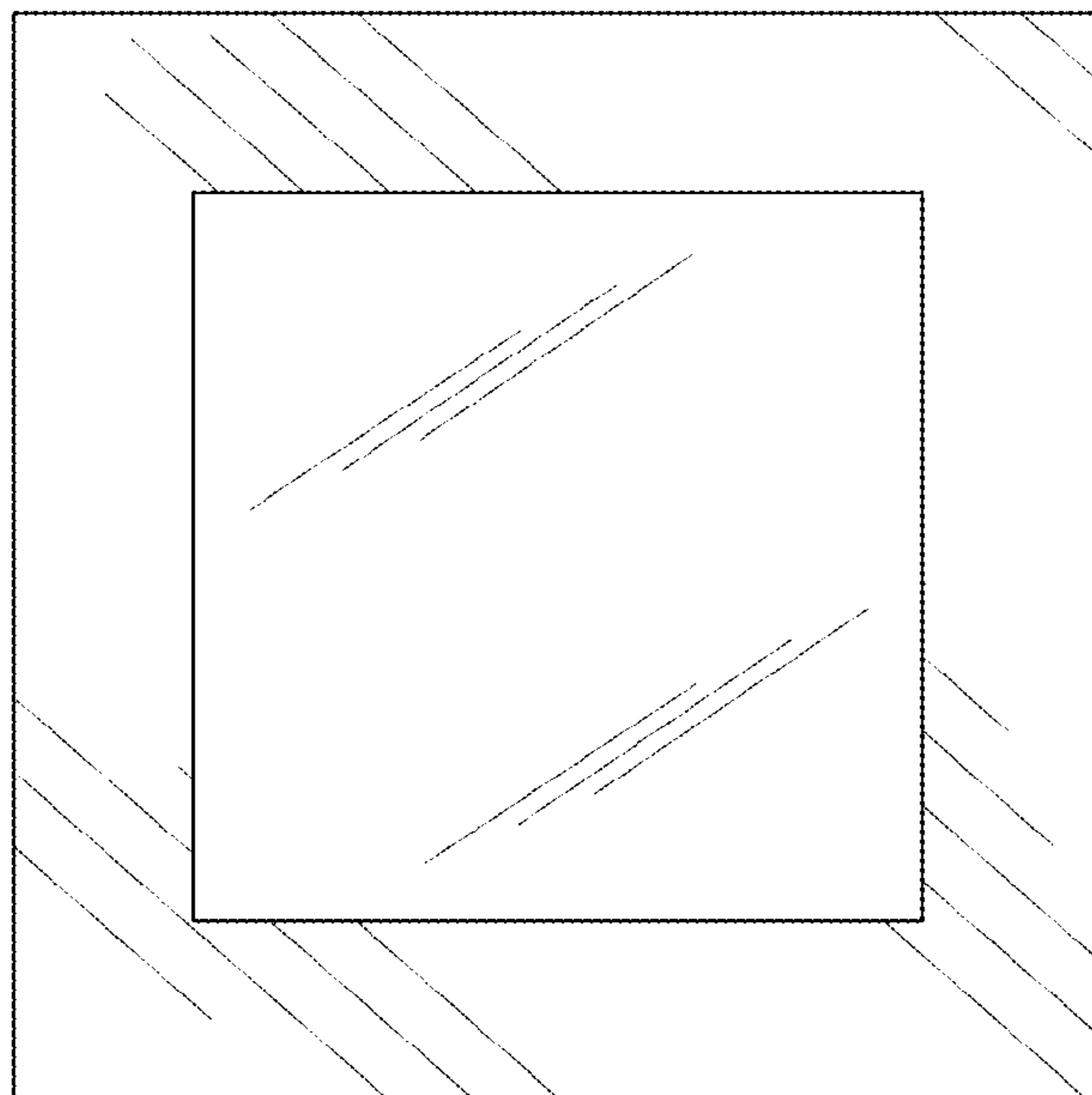


FIG.6

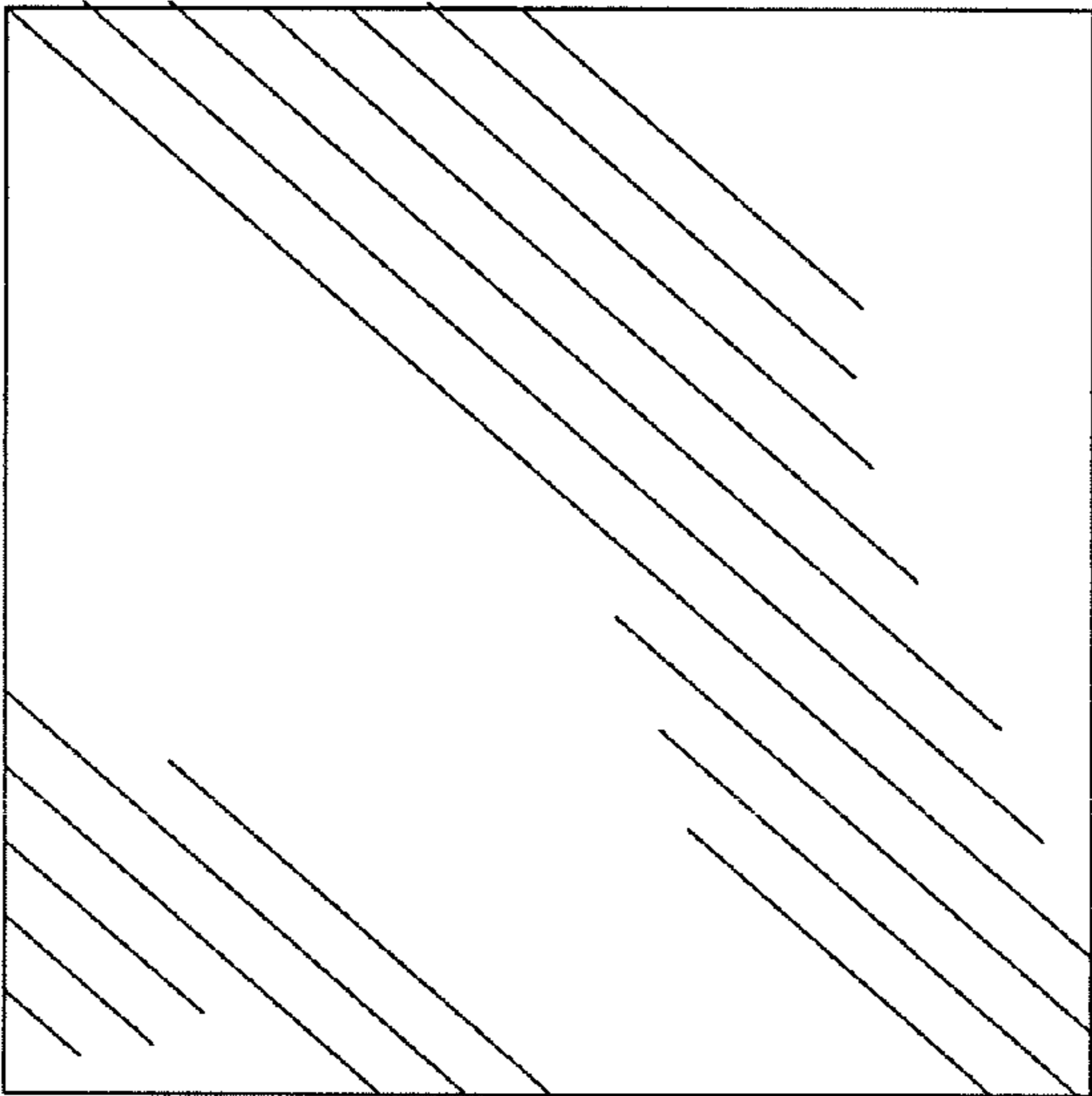


FIG. 7



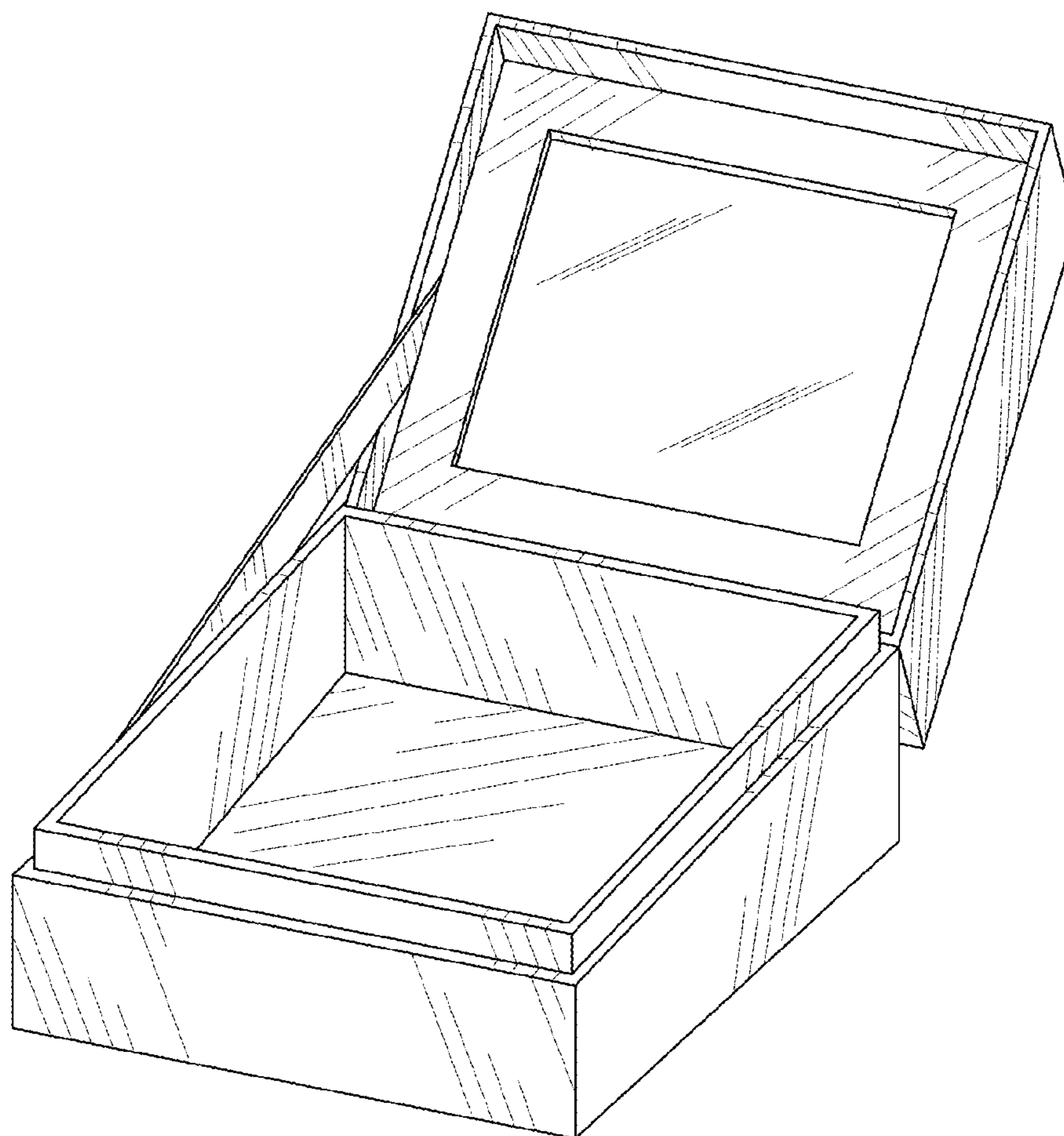


FIG.8

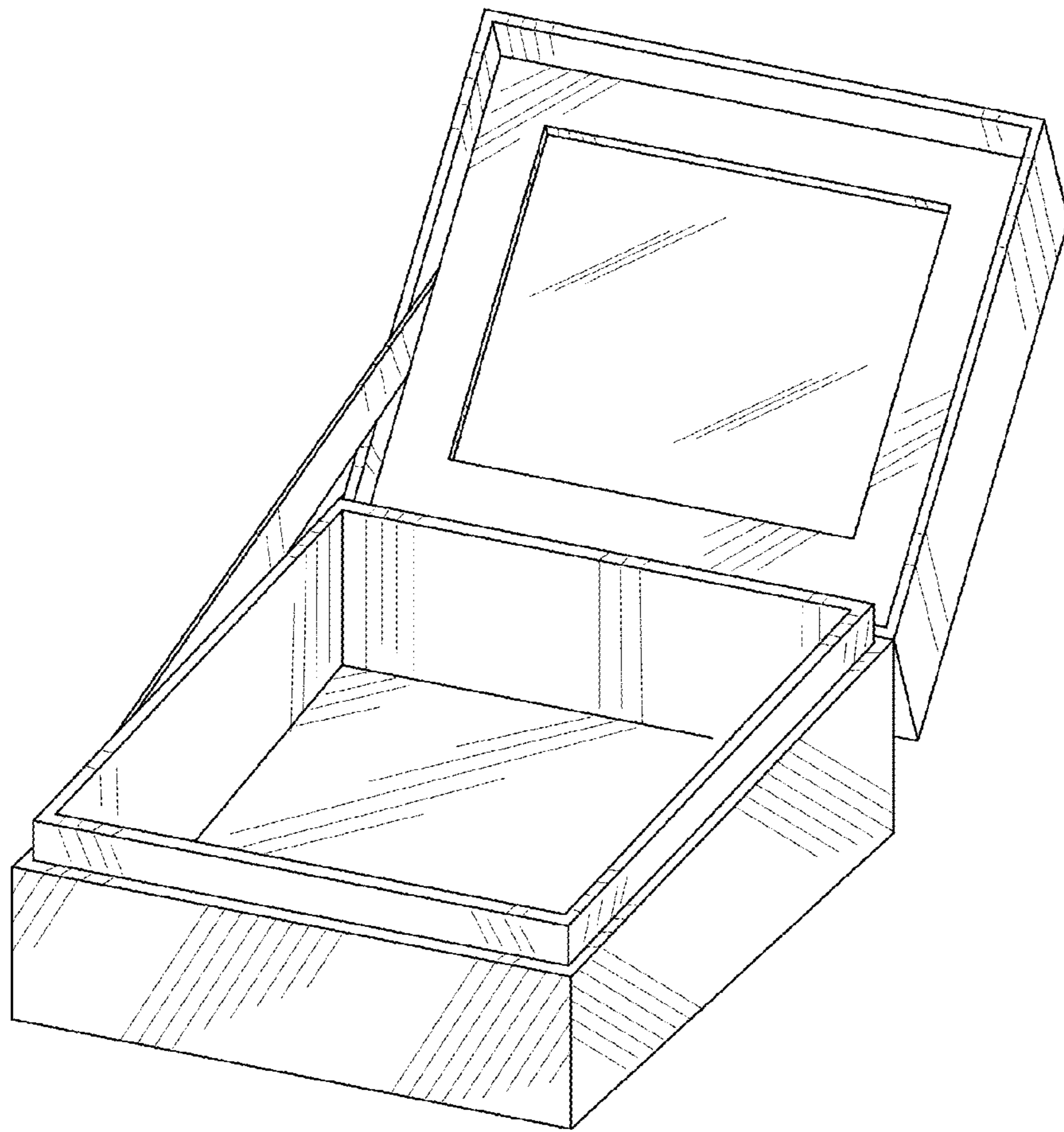


FIG.9

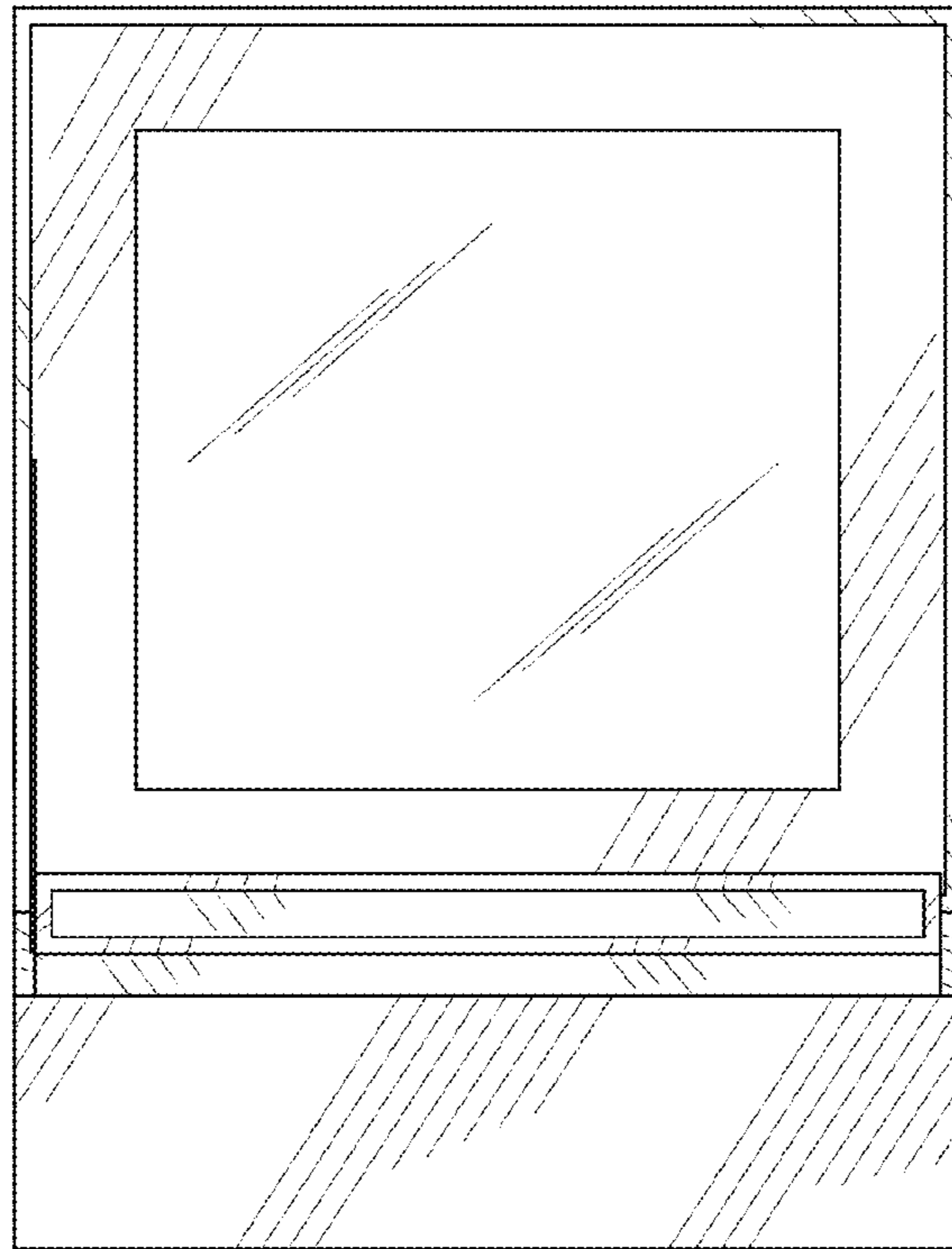


FIG.10

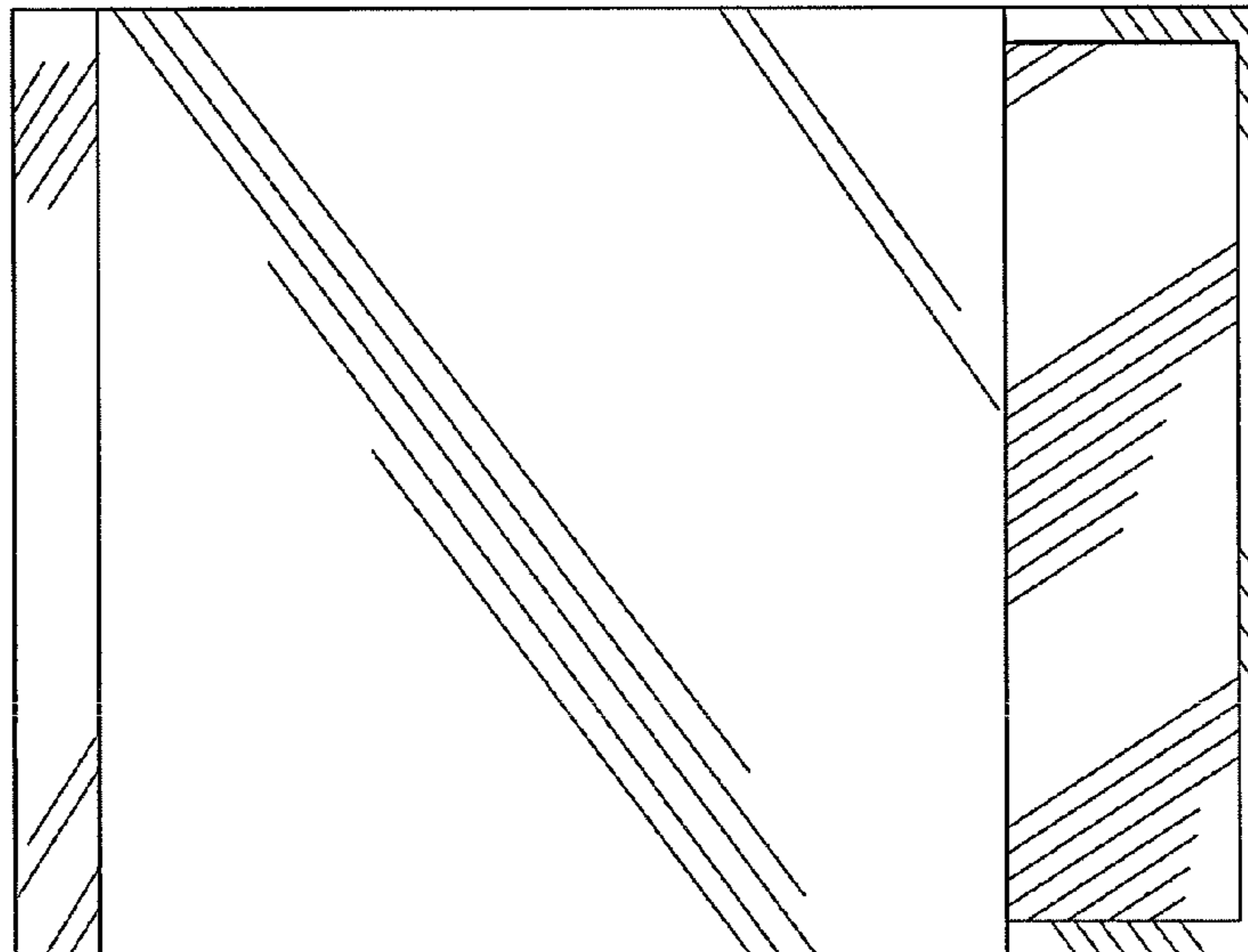


FIG. 11

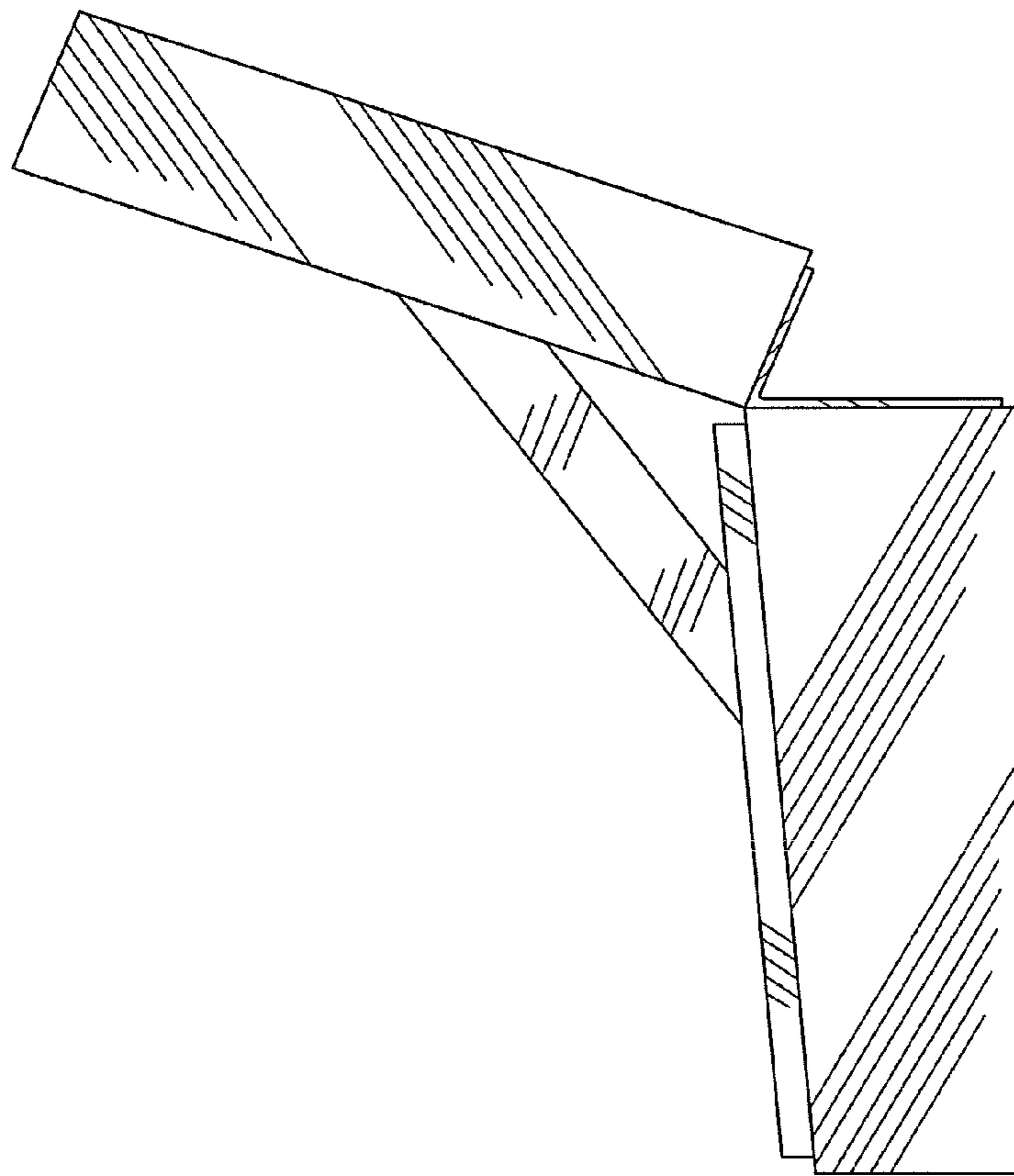


FIG. 12

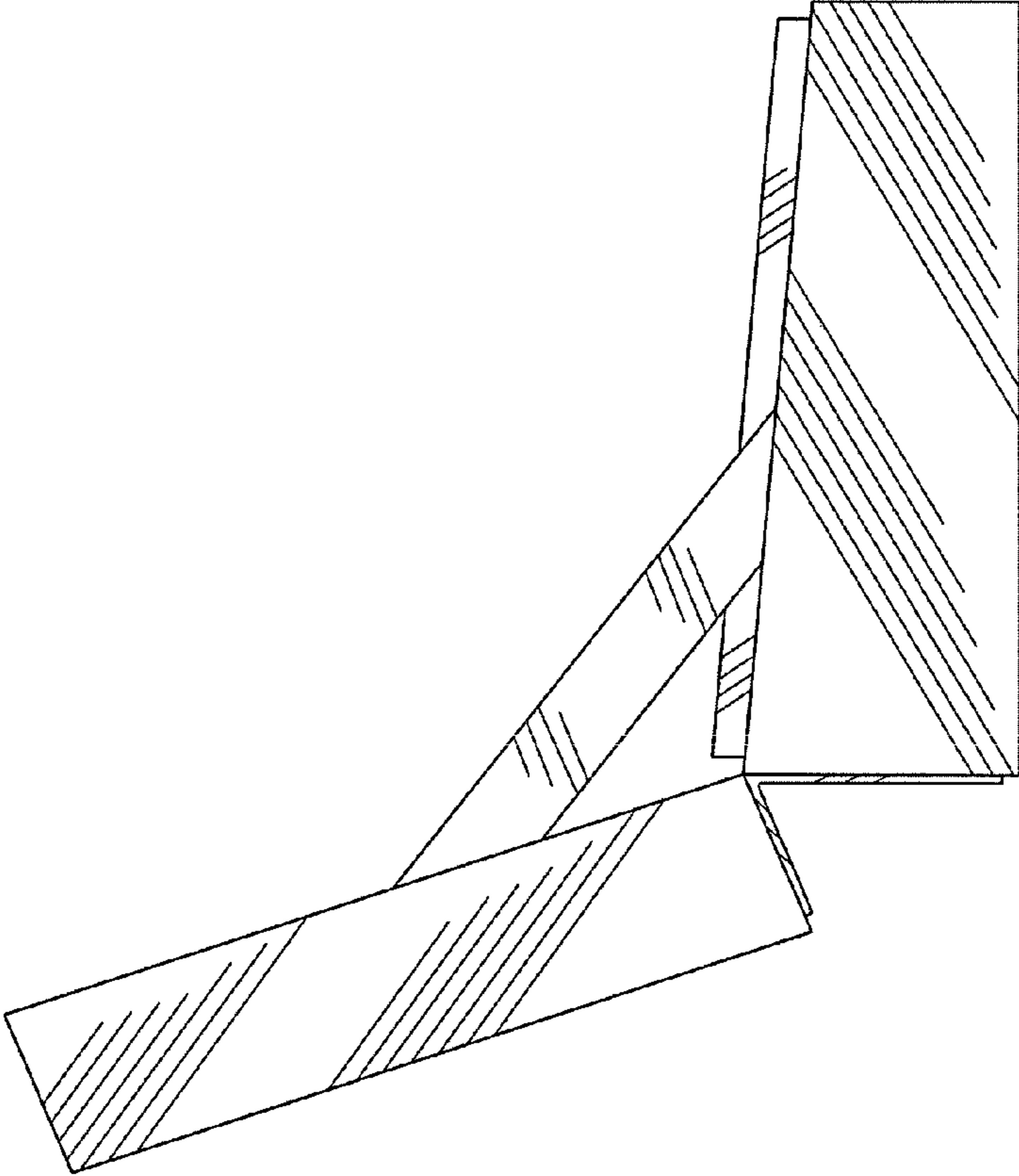


FIG. 13

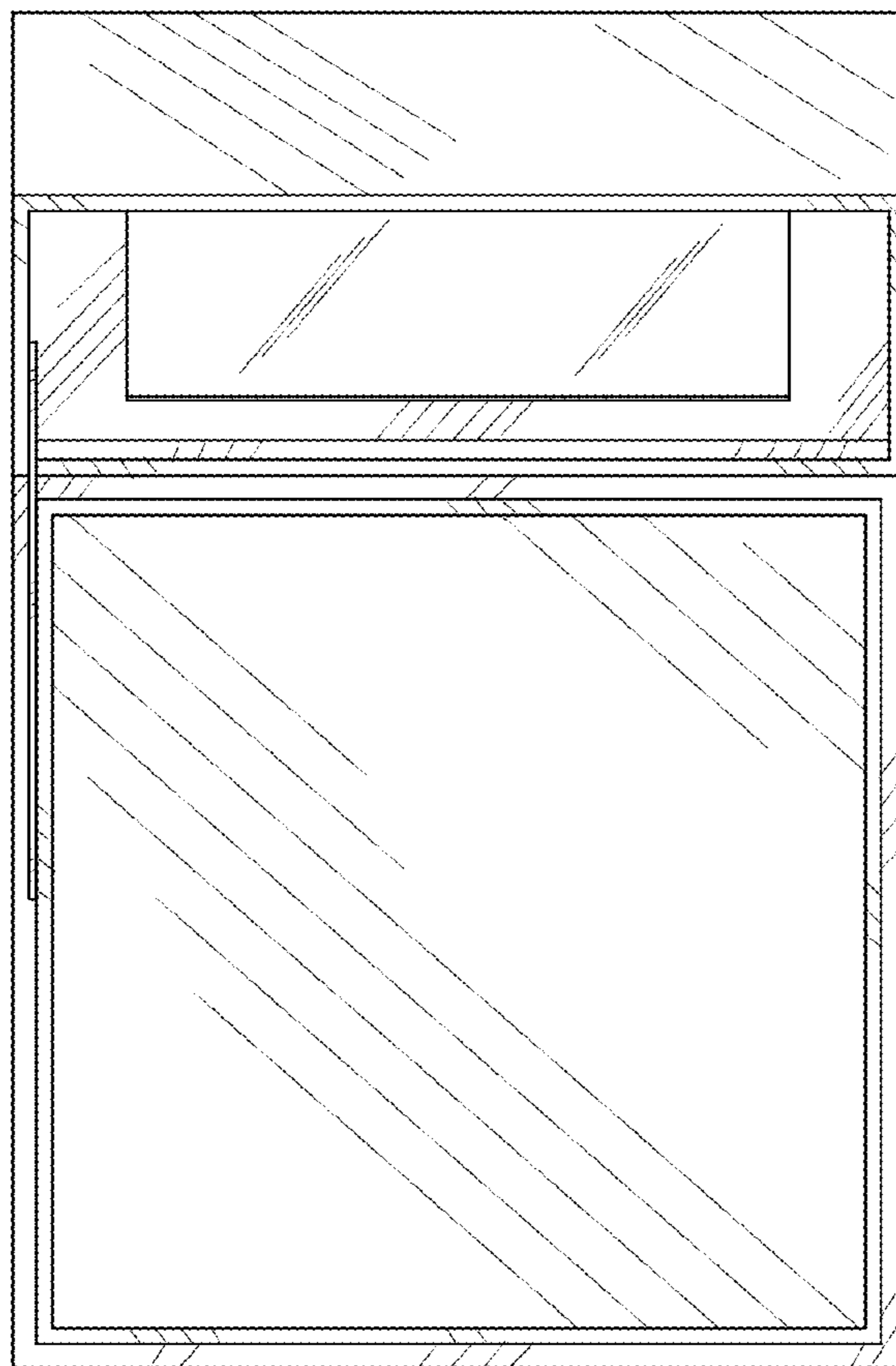


FIG.14

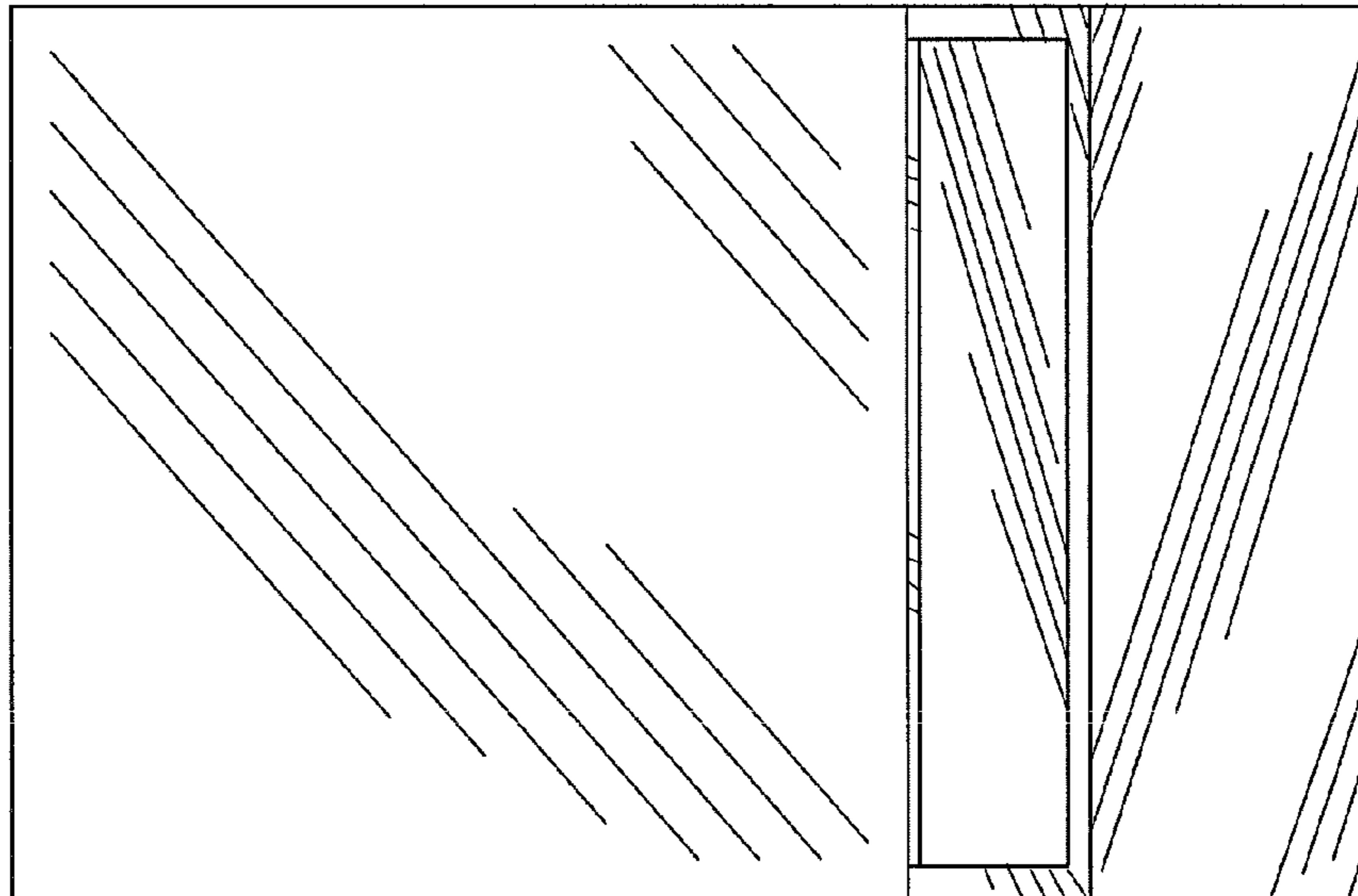


FIG. 15



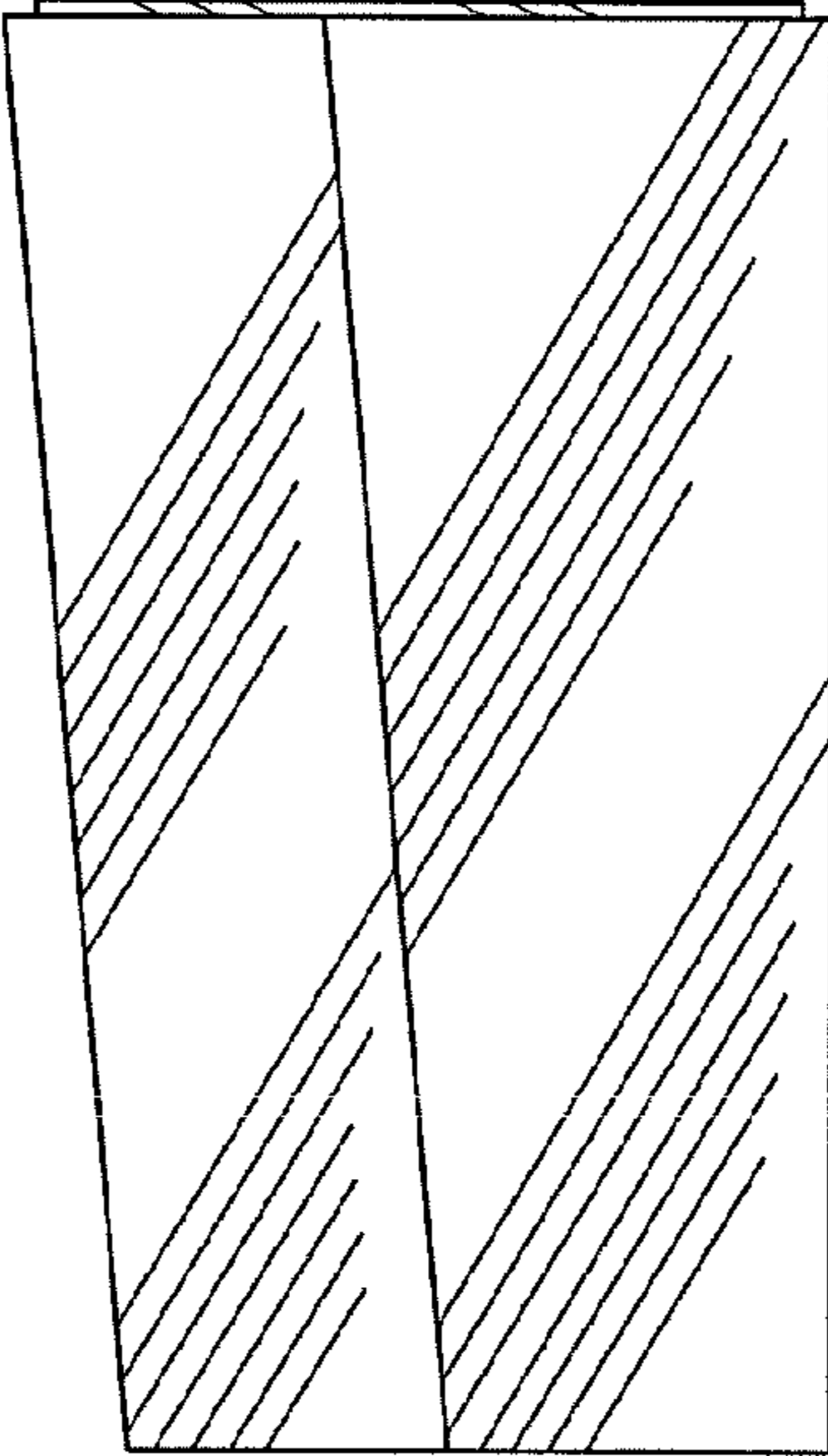


FIG. 16