



US00D716645S

(12) **United States Design Patent**  
**Frydlewski et al.**

(10) **Patent No.:** **US D716,645 S**

(45) **Date of Patent:** **\*\* Nov. 4, 2014**

(54) **FASTENING DEVICE**

(71) Applicant: **Hickies, Inc.**, Brooklyn, NY (US)

(72) Inventors: **Gaston Frydlewski**, Brooklyn, NY (US); **Maria Raquel Waingarten**, Brooklyn, NY (US); **David Reeb**, Sykesville, MD (US)

(73) Assignee: **Hickies, Inc.**, Brooklyn, NY (US)

(\*\*) Term: **14 Years**

(21) Appl. No.: **29/468,991**

(22) Filed: **Oct. 4, 2013**

(51) **LOC (10) Cl.** ..... **08-08**

(52) **U.S. Cl.**  
USPC ..... **D8/396**

(58) **Field of Classification Search**  
USPC ..... D8/356, 383, 394–396; 24/16 PB, 24/17 AP, 30.5 P, 30.5 S, 300–302, 339, 24/DIG. 16, 713, 713.1; 248/58, 60, 74.3, 248/71; 70/16; 128/878; D12/408; D2/978  
See application file for complete search history.

(56) **References Cited**

**U.S. PATENT DOCUMENTS**

565,884	A *	8/1896	Emmons	132/275
830,902	A *	9/1906	Keller	24/714.4
1,678,241	A *	7/1928	Benz	36/50.1
1,685,489	A *	9/1928	Jansen	24/713.1
1,945,932	A *	2/1933	Rosenthal	D11/231
D89,286	S *	2/1934	Caley	132/247
1,945,932	A *	2/1934	Caley	132/247
D177,723	S *	5/1956	Doherty	D2/978
4,112,988	A *	9/1978	Nelson	81/456
5,239,732	A *	8/1993	Steven	24/575.1
5,639,244	A *	6/1997	Stricklin	434/260
5,692,276	A *	12/1997	Paxton	24/713.6

6,490,767	B2 *	12/2002	Haiduk	24/298
D503,034	S *	3/2005	Choi	D2/978
D543,833	S *	6/2007	Folk et al.	D8/349
D614,855	S *	5/2010	Inohara et al.	D2/978
D615,385	S *	5/2010	Arendt	D8/349
D641,708	S *	7/2011	Yamauchi	D13/154

(Continued)

*Primary Examiner* — John Windmuller

(74) *Attorney, Agent, or Firm* — Venable LLP; Steven J. Schwarz; Trent B. Ostler

(57) **CLAIM**

The ornamental design for a fastening device, as shown and described.

**DESCRIPTION**

FIG. 1 is a front perspective view of a first embodiment of the invention.

FIG. 2 is a top plan view of FIG. 1.

FIG. 3 is a front elevation view of FIG. 1.

FIG. 4 is a right side elevation view of FIG. 1.

FIG. 5 is a left side elevation view of FIG. 1.

FIG. 6 is a rear elevation view of FIG. 1.

FIG. 7 is a bottom plan view of FIG. 1.

FIG. 8 is a front perspective view of a second embodiment of the invention.

FIG. 9 is a top plan view of FIG. 8.

FIG. 10 is a front elevation view of FIG. 8.

FIG. 11 is a left side elevation view of FIG. 8.

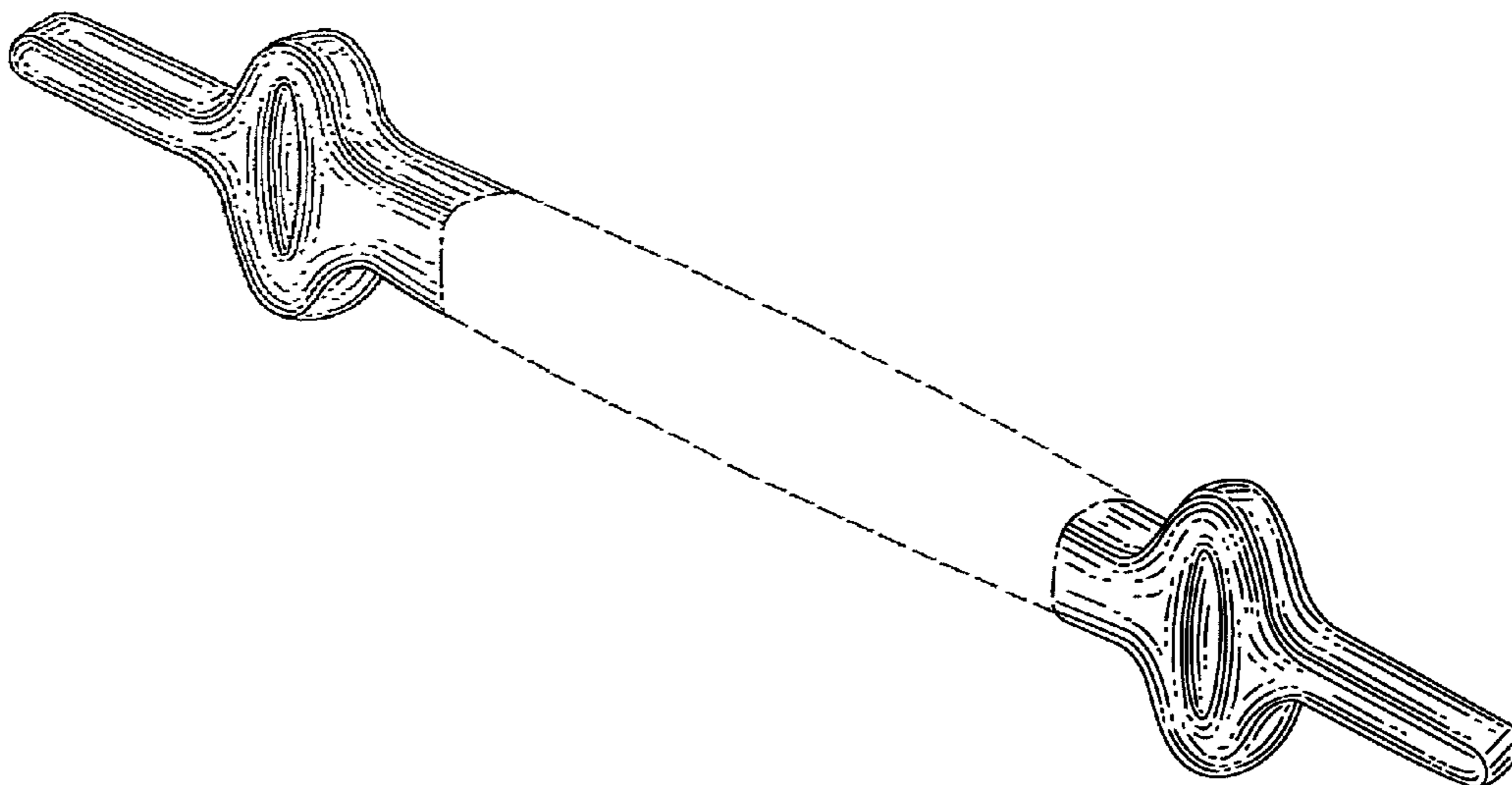
FIG. 12 is a right side elevation view of FIG. 8.

FIG. 13 is a rear plan view of FIG. 8; and,

FIG. 14. Is a bottom reversed plan view of FIG. 8.

The broken lines in the figures represent portions of the fastening device that form no part of the claimed design. The dot-dash lines in the figures represent boundaries between claimed and unclaimed portions of the fastening device.

**1 Claim, 6 Drawing Sheets**



# US D716,645 S

Page 2

---

(56)

## References Cited

### U.S. PATENT DOCUMENTS

2003/0140459 A1 *	7/2003	Strange et al. ....	24/16 PB
2004/0139583 A1 *	7/2004	Wendle .....	24/16 PB
2005/0251967 A1 *	11/2005	McNeill .....	24/16 PB

D672,230 S \* 12/2012 Laverack et al. .... D8/396 \* cited by examiner

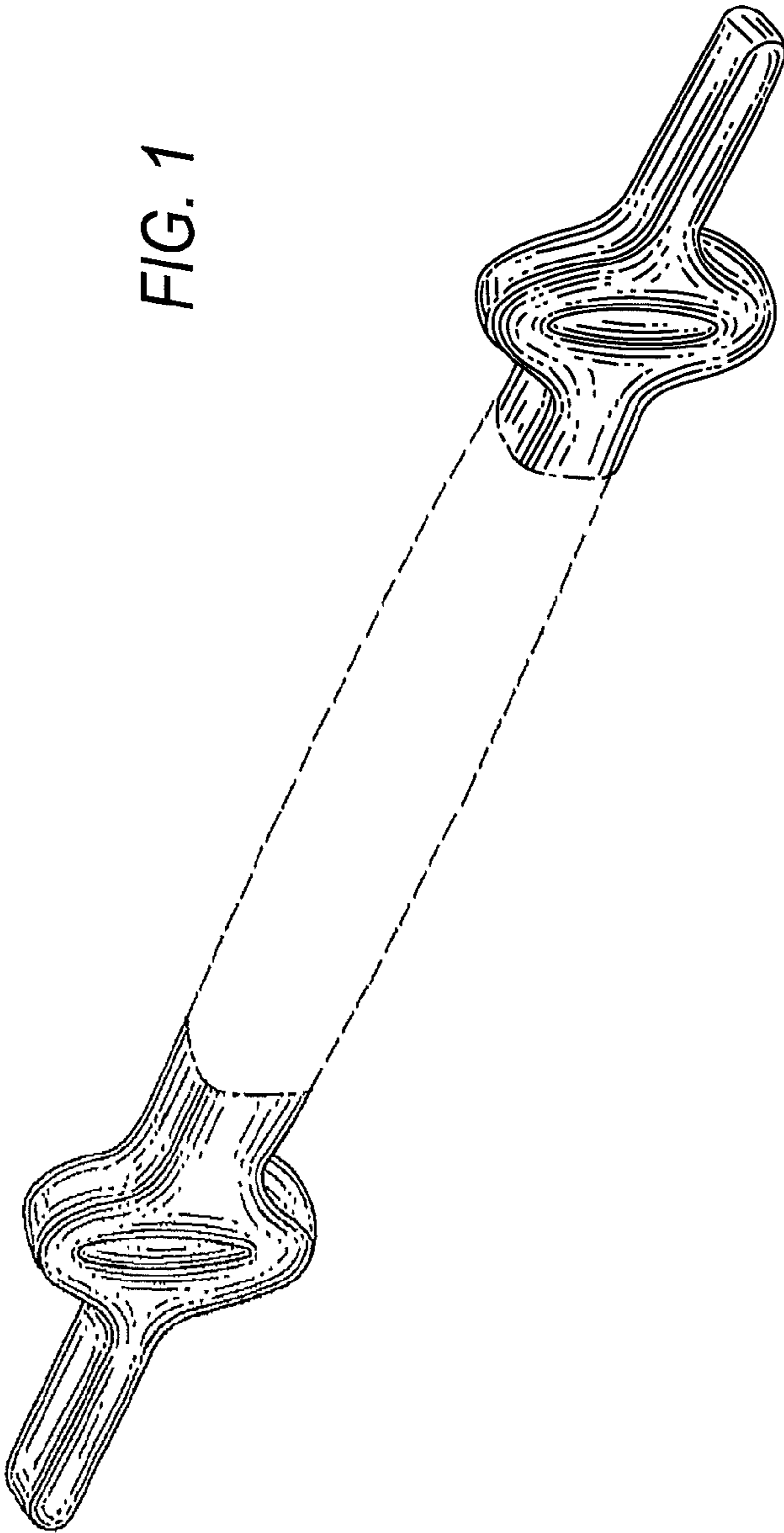


FIG. 1



FIG. 2

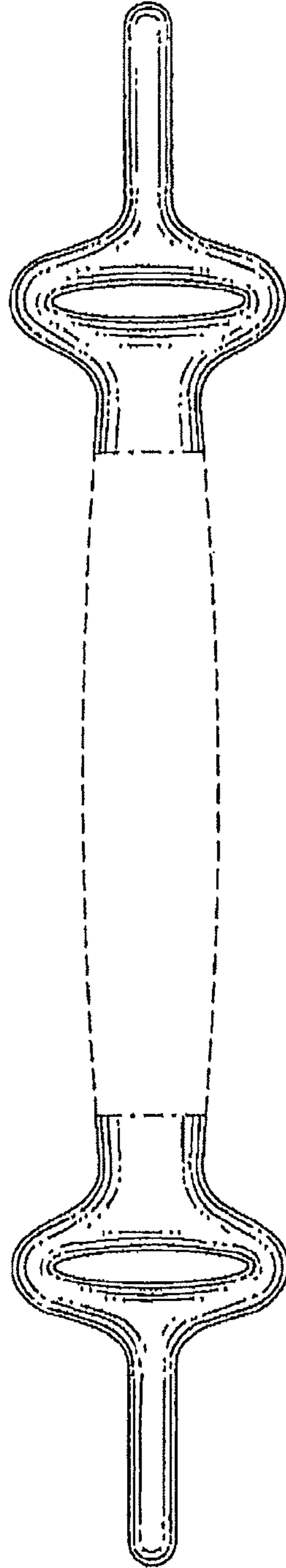


FIG. 3



FIG. 4



FIG. 5

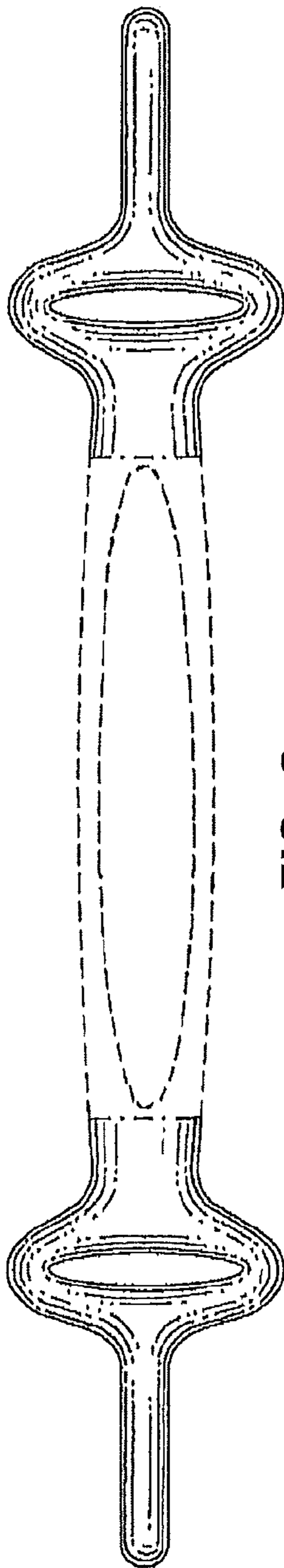


FIG. 6



FIG. 7

FIG. 8

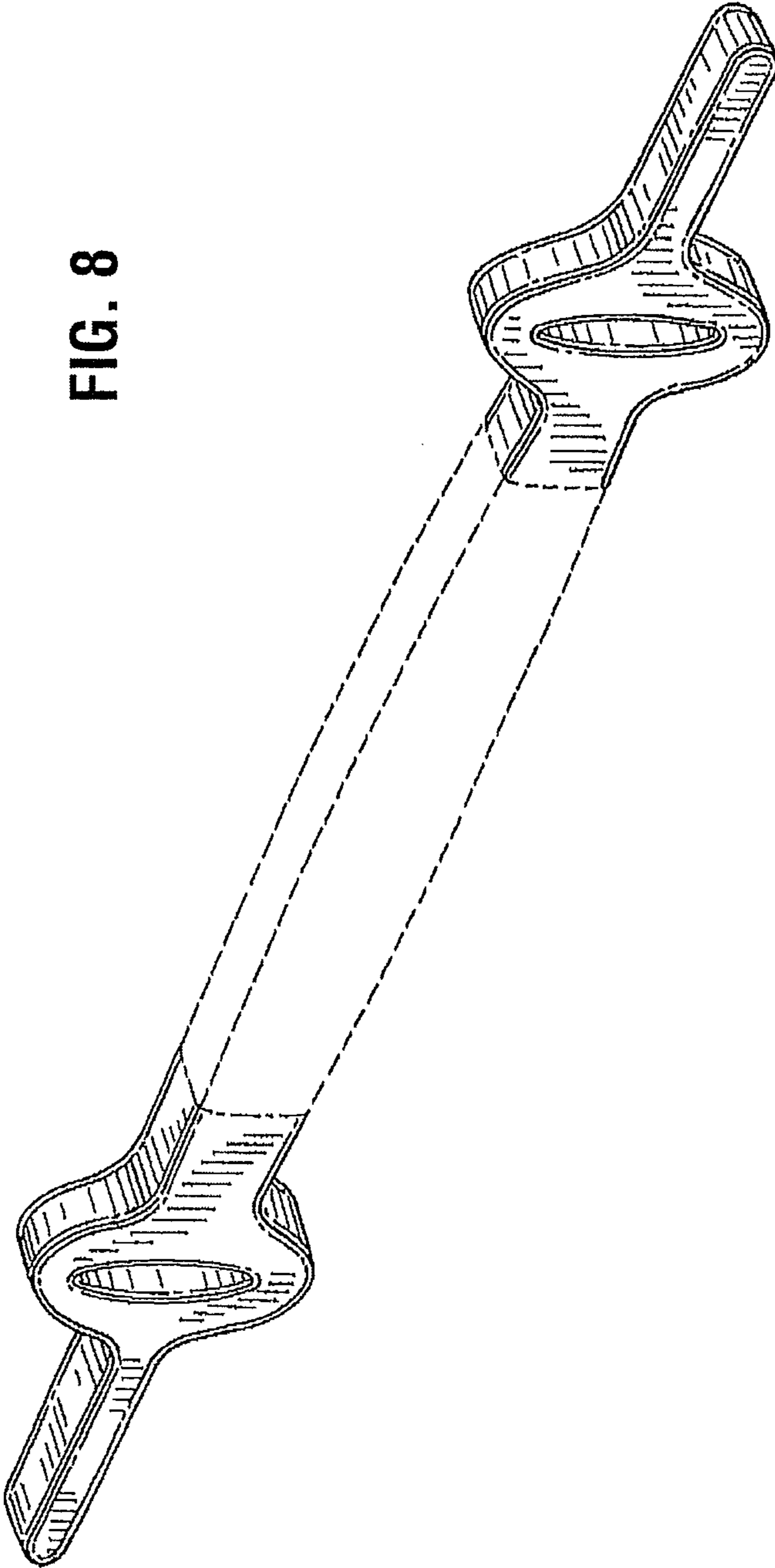




FIG. 9

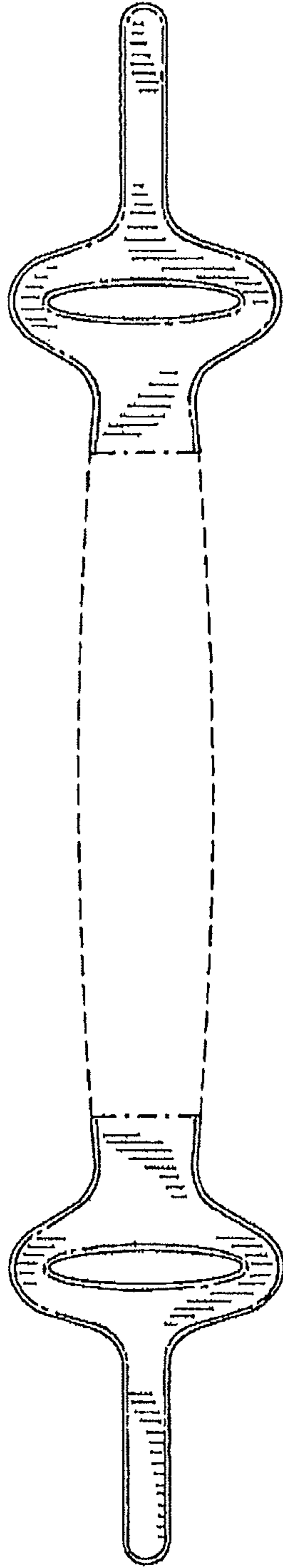


FIG. 10



FIG. 11



FIG. 12

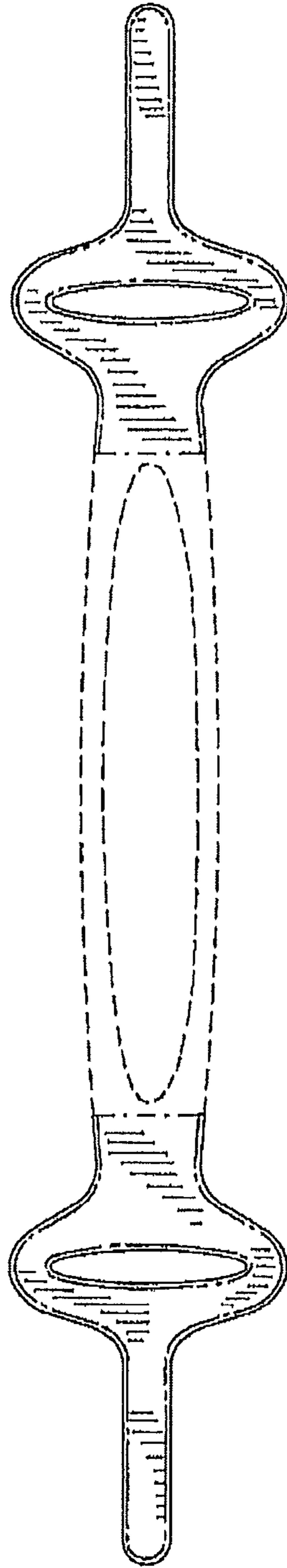


FIG. 13



FIG. 14