



US00D716641S

(12) **United States Design Patent**
Goodman et al.

(10) **Patent No.:** **US D716,641 S**
(45) **Date of Patent:** **** Nov. 4, 2014**

- (54) **SINGLE HOOK**
- (71) Applicant: **Spectrum Diversified Designs, Inc.**,
Streetsboro, OH (US)
- (72) Inventors: **Sheldon H. Goodman**, Solon, OH (US);
Phaysouk Xayiophonh, Akron, OH
(US)
- (73) Assignee: **Spectrum Diversified Designs, Inc.**,
Streetsboro, OH (US)
- (**) Term: **14 Years**
- (21) Appl. No.: **29/479,940**
- (22) Filed: **Jan. 22, 2014**
- (51) **LOC (10) Cl.** **08-05**
- (52) **U.S. Cl.**
USPC **D8/371**
- (58) **Field of Classification Search**
CPC . A47G 25/0607; A47G 25/0614; A47G 25/50
USPC D6/315, 320, 323, 512; D8/371, 354,
D8/373, 366, 367; 248/682, 683, 690, 692,
248/200, 205.1, 205.3
See application file for complete search history.

D543,837 S *	6/2007	Newbould et al.	D8/367
D584,939 S *	1/2009	Snell	D8/367
D608,574 S	1/2010	Goodman et al.	
D613,589 S	4/2010	Goodman et al.	
D613,590 S	4/2010	Goodman et al.	
D618,023 S	6/2010	Goodman et al.	
D628,052 S *	11/2010	Carl	D8/367
D629,675 S *	12/2010	Goodman et al.	D8/367
D632,549 S *	2/2011	Williams	D8/367
D705,542 S *	5/2014	Holt et al.	D3/318

* cited by examiner

Primary Examiner — Deanna L Pratt

Assistant Examiner — Ieisha Price

(74) *Attorney, Agent, or Firm* — Benesch Friedlander
Coplan & Aronoff LLP

(57) **CLAIM**

What is claimed is the ornamental design for a single hook, as shown and described.

DESCRIPTION

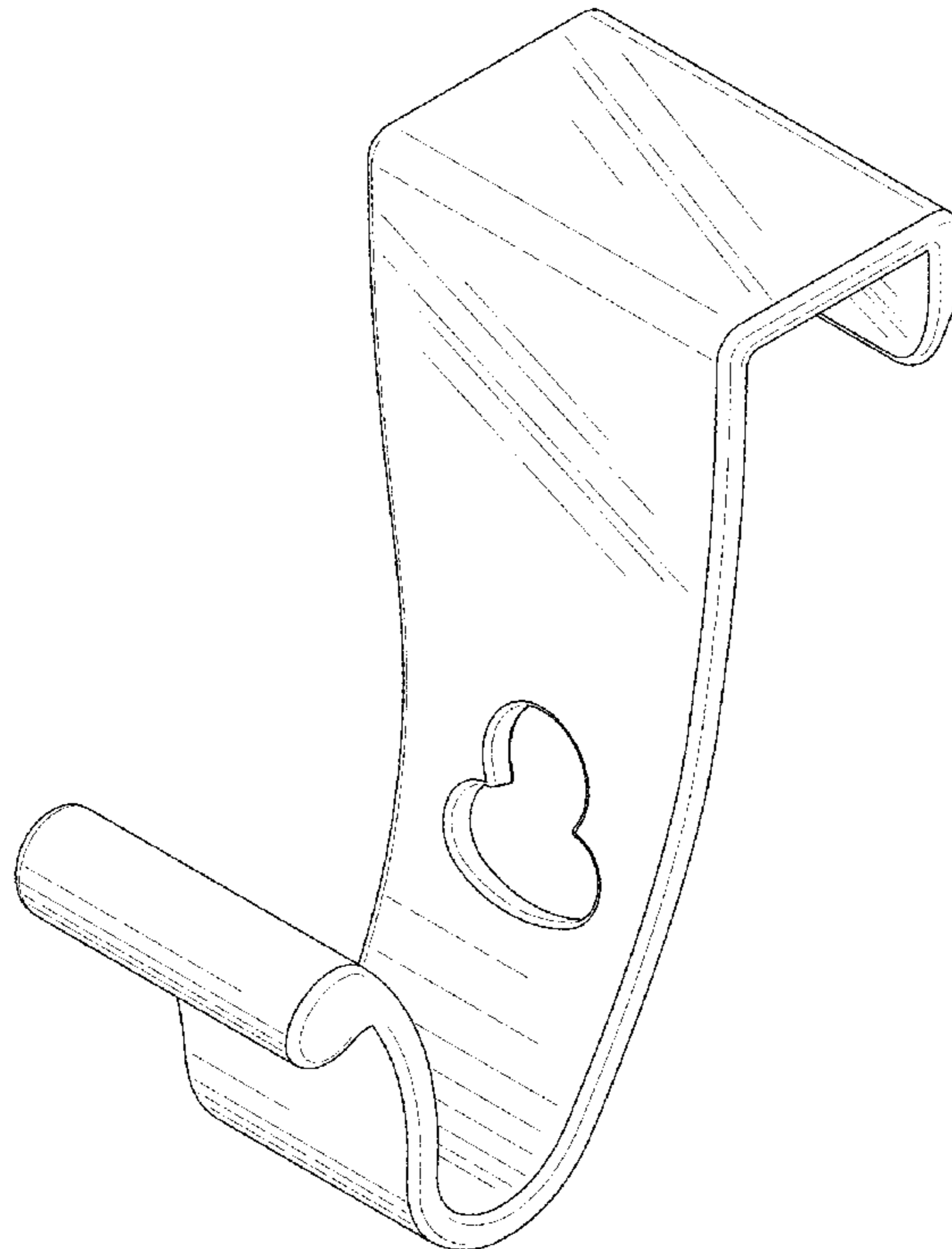
FIG. 1 is a perspective view of a single hook showing a new design;
FIG. 2 is a top view of the single hook of FIG. 1;
FIG. 3 is a front view of the single hook of FIG. 1;
FIG. 4 is a side view of the single hook of FIG. 1;
FIG. 5 is a bottom side view of the single hook of FIG. 1; and,
FIG. 6 is a rear view of the single hook of FIG. 1.
The broken lines in FIG. 5 illustrate portions of the single hook which form no part of the claimed design.

(56) **References Cited**

U.S. PATENT DOCUMENTS

D318,608 S *	7/1991	Schenker	D8/382
D443,503 S *	6/2001	Harvey	D8/367

1 Claim, 3 Drawing Sheets



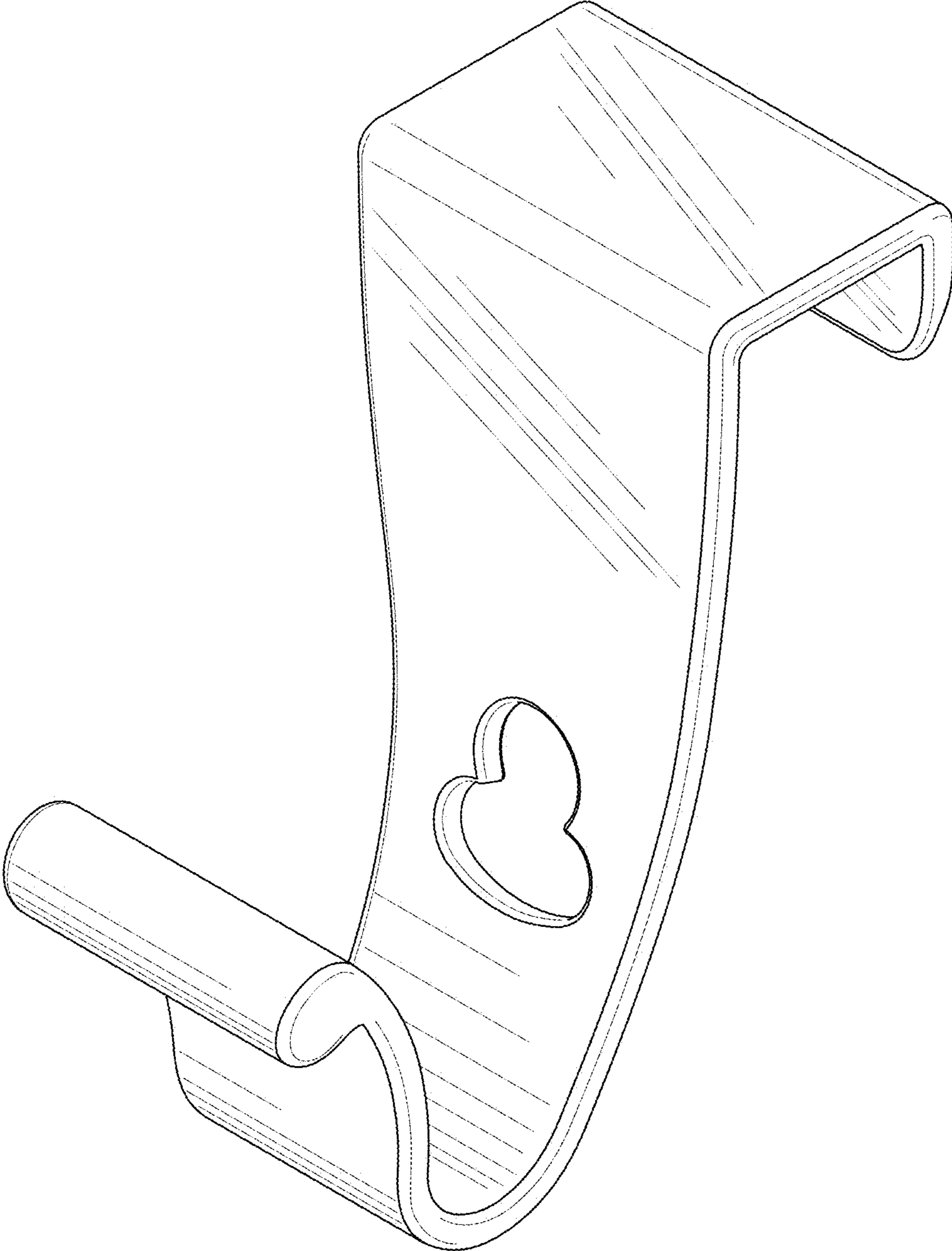


FIG 1

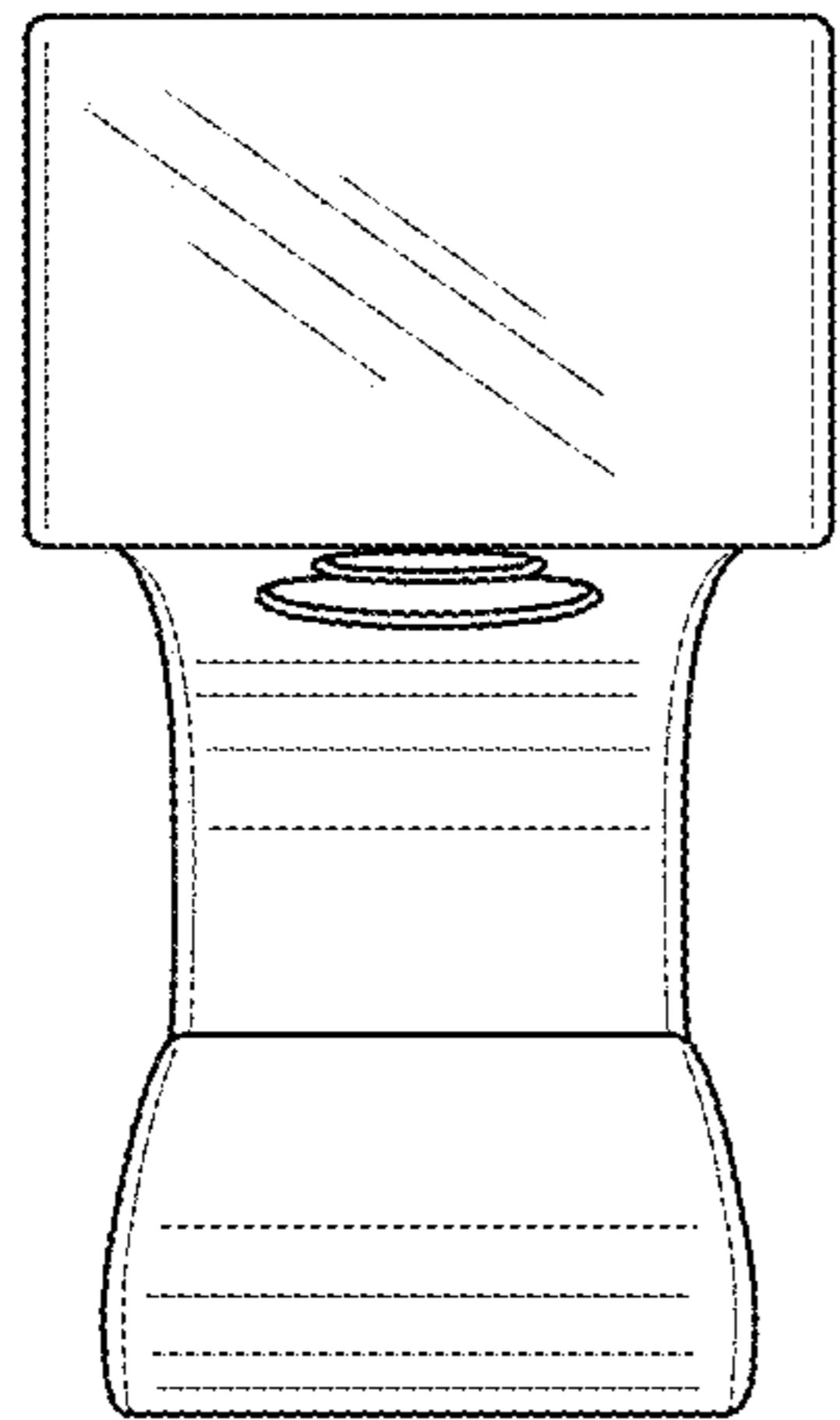


FIG 2

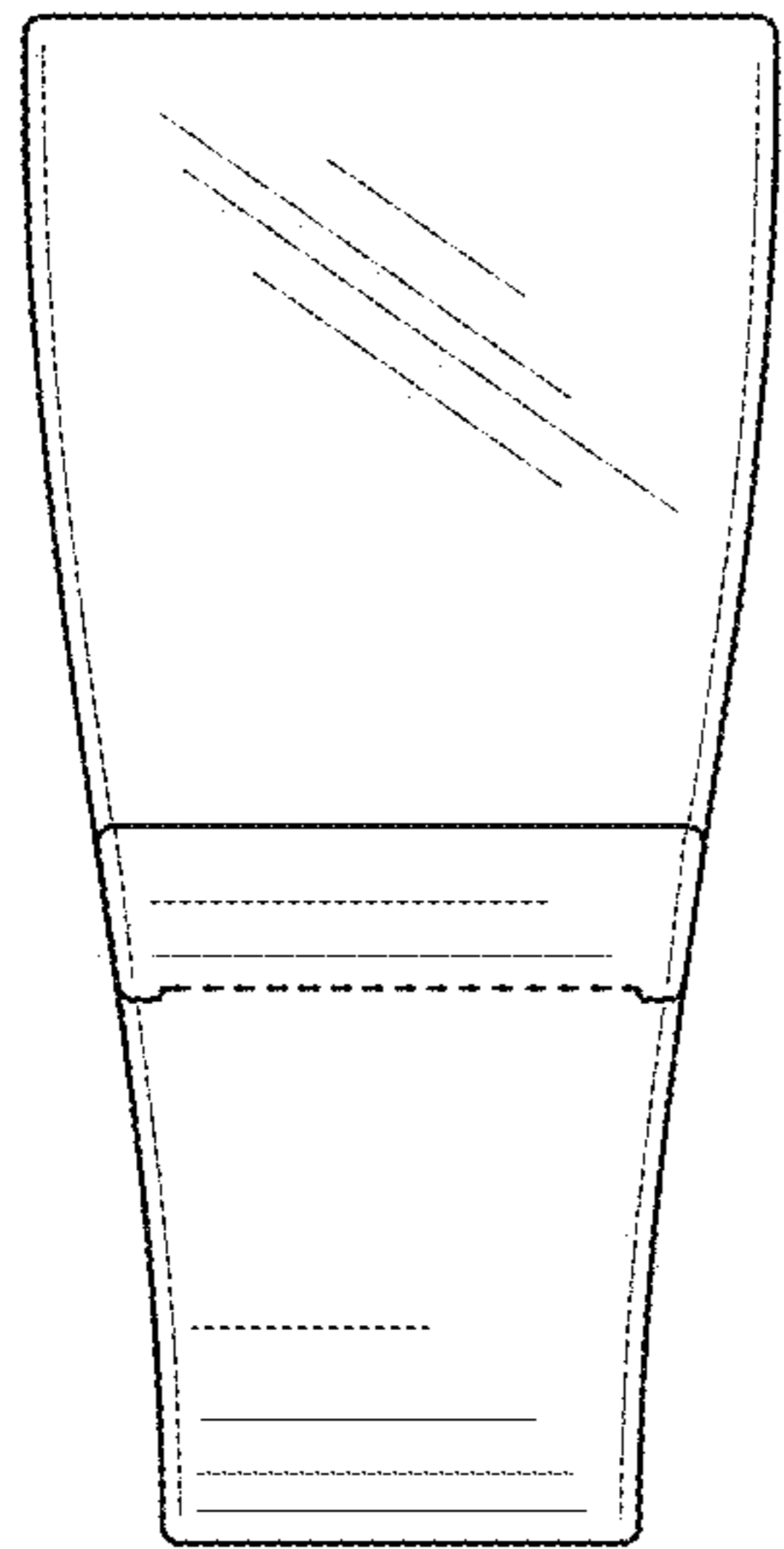


FIG 3

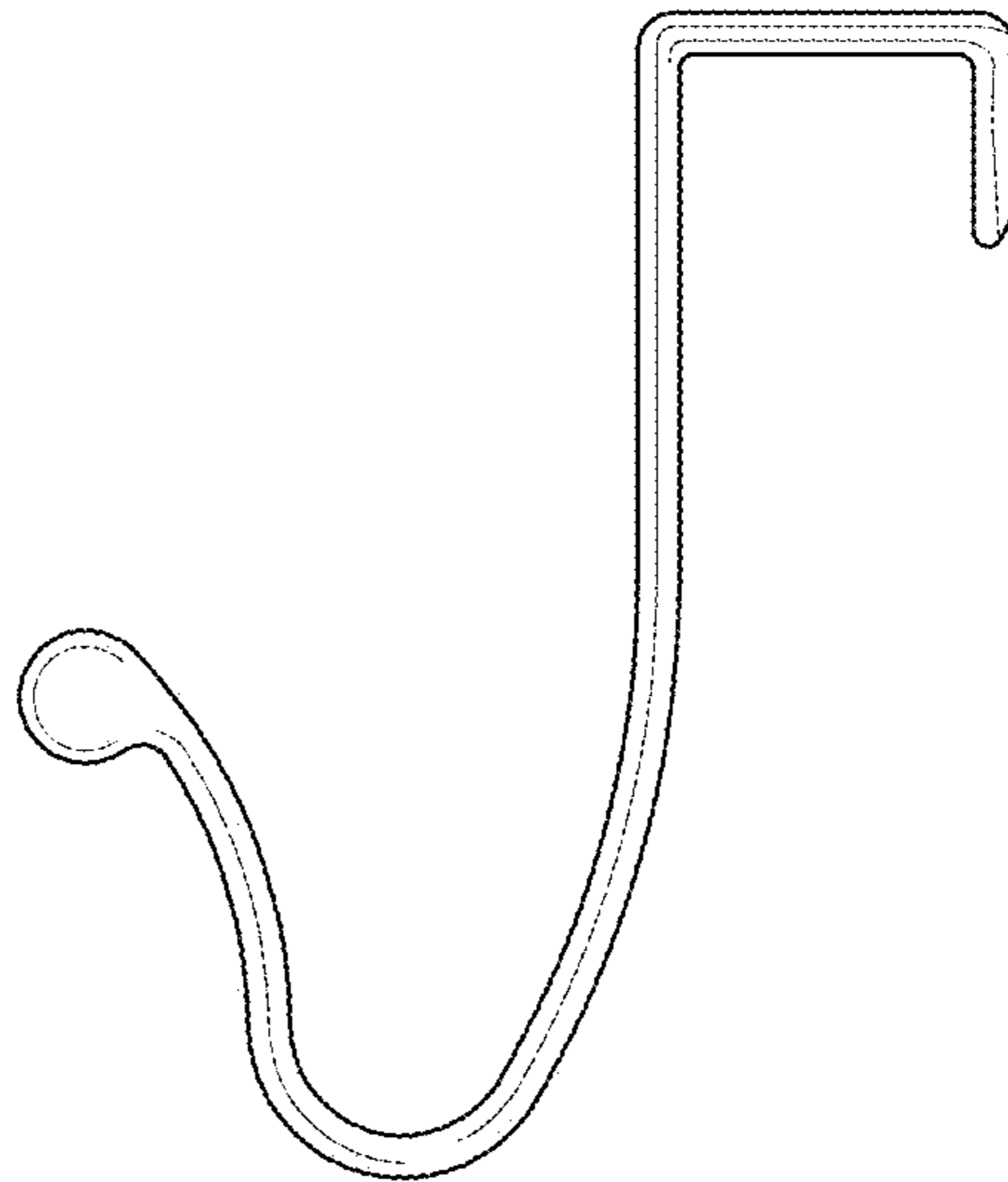


FIG 4

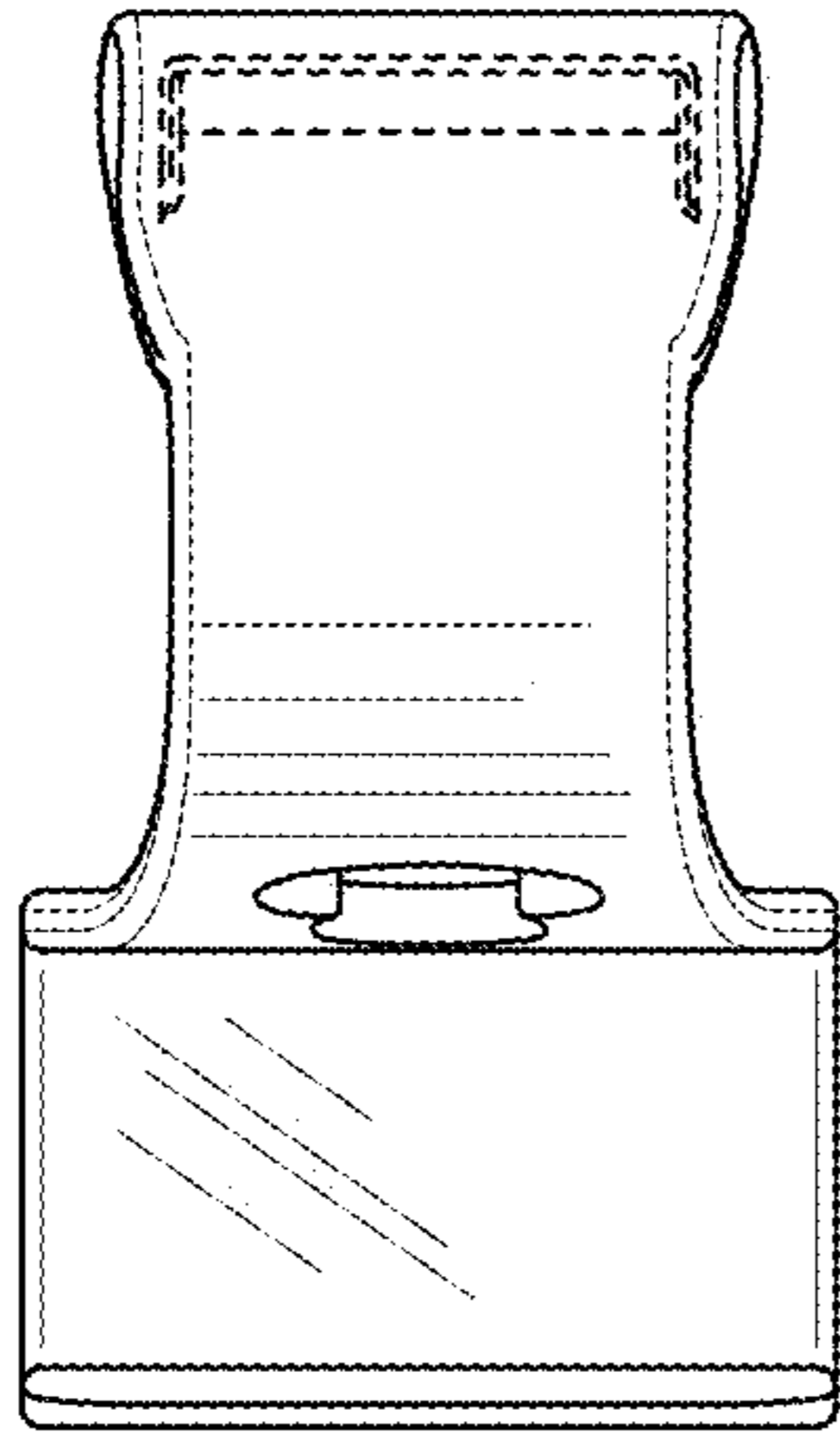


FIG 5

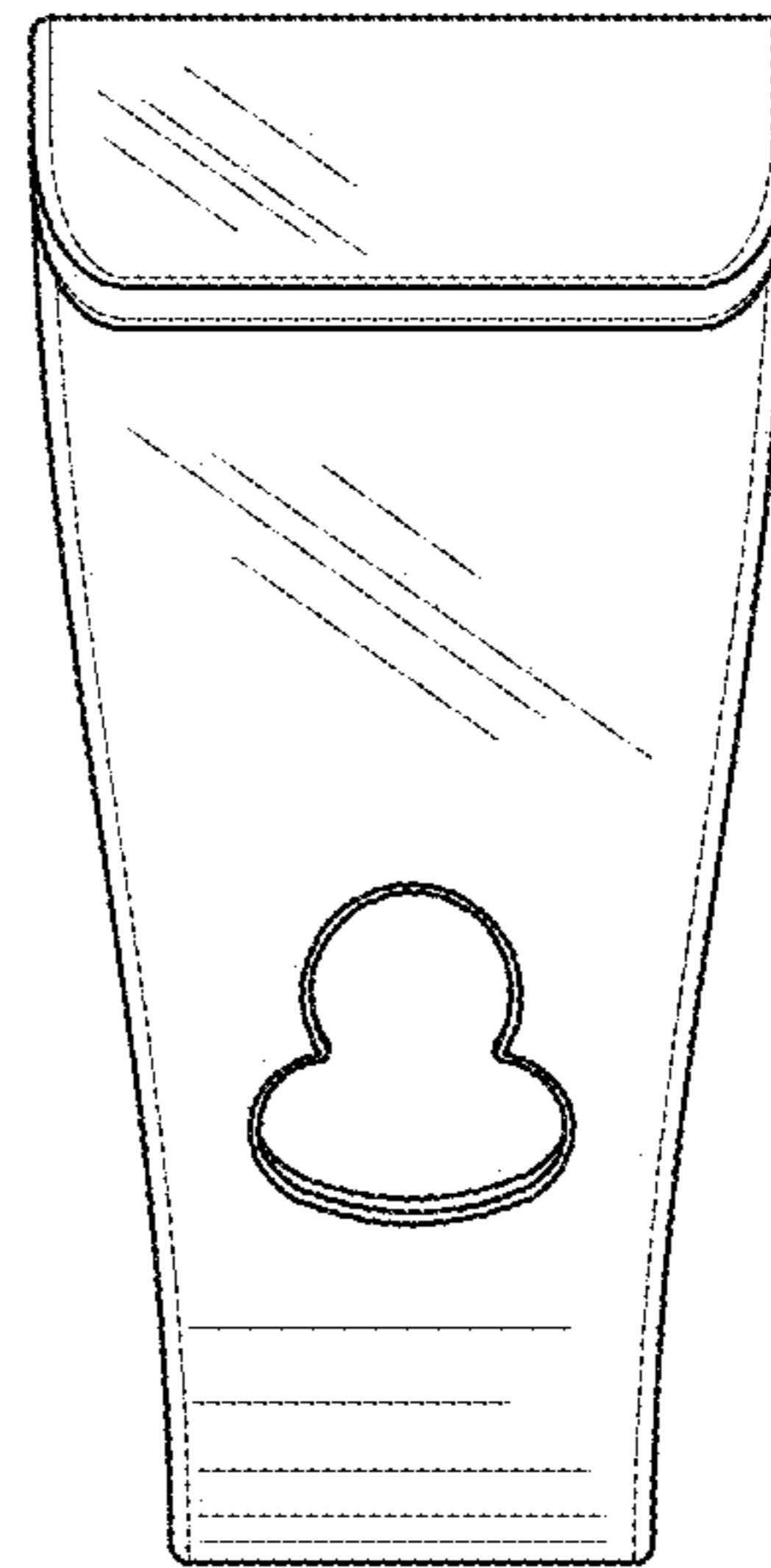


FIG 6