



US00D716640S

(12) **United States Design Patent**
Martinson

(10) **Patent No.:** **US D716,640 S**

(45) **Date of Patent:** **** Nov. 4, 2014**

(54) **TWIST TIE MOUNT**

(71) Applicant: **Daniel J. Martinson**, Medina, MN (US)

(72) Inventor: **Daniel J. Martinson**, Medina, MN (US)

(73) Assignee: **Nite Ize, Inc.**, Boulder, CO (US)

(**) Term: **14 Years**

(21) Appl. No.: **29/489,575**

(22) Filed: **Apr. 30, 2014**

(51) **LOC (10) Cl.** **08-05**

(52) **U.S. Cl.**

USPC **D8/356**

(58) **Field of Classification Search**

USPC D8/44, 300, 307, 310, 312, 354, 358,
D8/360, 360.1; 206/411, 412, 414, 415,
206/416, 38, 702, 389, 398, 407; 248/49,
248/51, 55, 410, 615; 242/170, 171, 172;
439/207-210, 445-447

See application file for complete search history.

(56) **References Cited**

U.S. PATENT DOCUMENTS

5,062,580 A * 11/1991 Meagher 242/125.2
D347,378 S * 5/1994 Warner D8/360

D359,431 S * 6/1995 Motley D8/44
5,735,400 A * 4/1998 Packard 206/408
D459,197 S * 6/2002 Hodjat D8/360
D553,797 S * 10/2007 Gunter D28/82
D581,256 S * 11/2008 Jiang D8/358
D588,442 S * 3/2009 Chong et al. D8/356
D654,778 S * 2/2012 Hines et al. D8/356
D692,293 S * 10/2013 Toscani et al. D8/356
2004/0226857 A1 * 11/2004 Wright et al. 206/713

* cited by examiner

Primary Examiner — Derrick Holland

Assistant Examiner — Lauren Calve

(74) *Attorney, Agent, or Firm* — Squire Patton Boggs (US) LLP

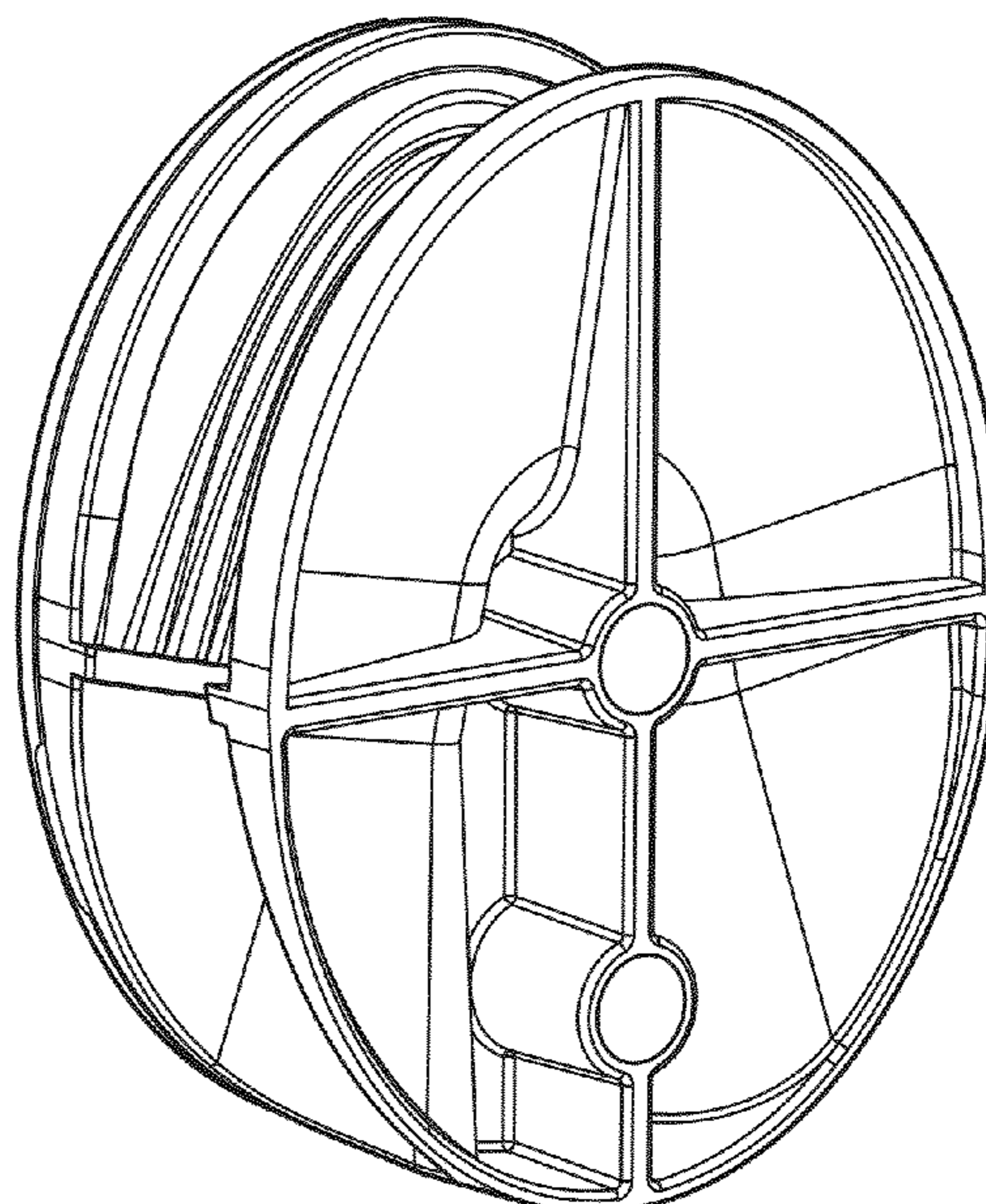
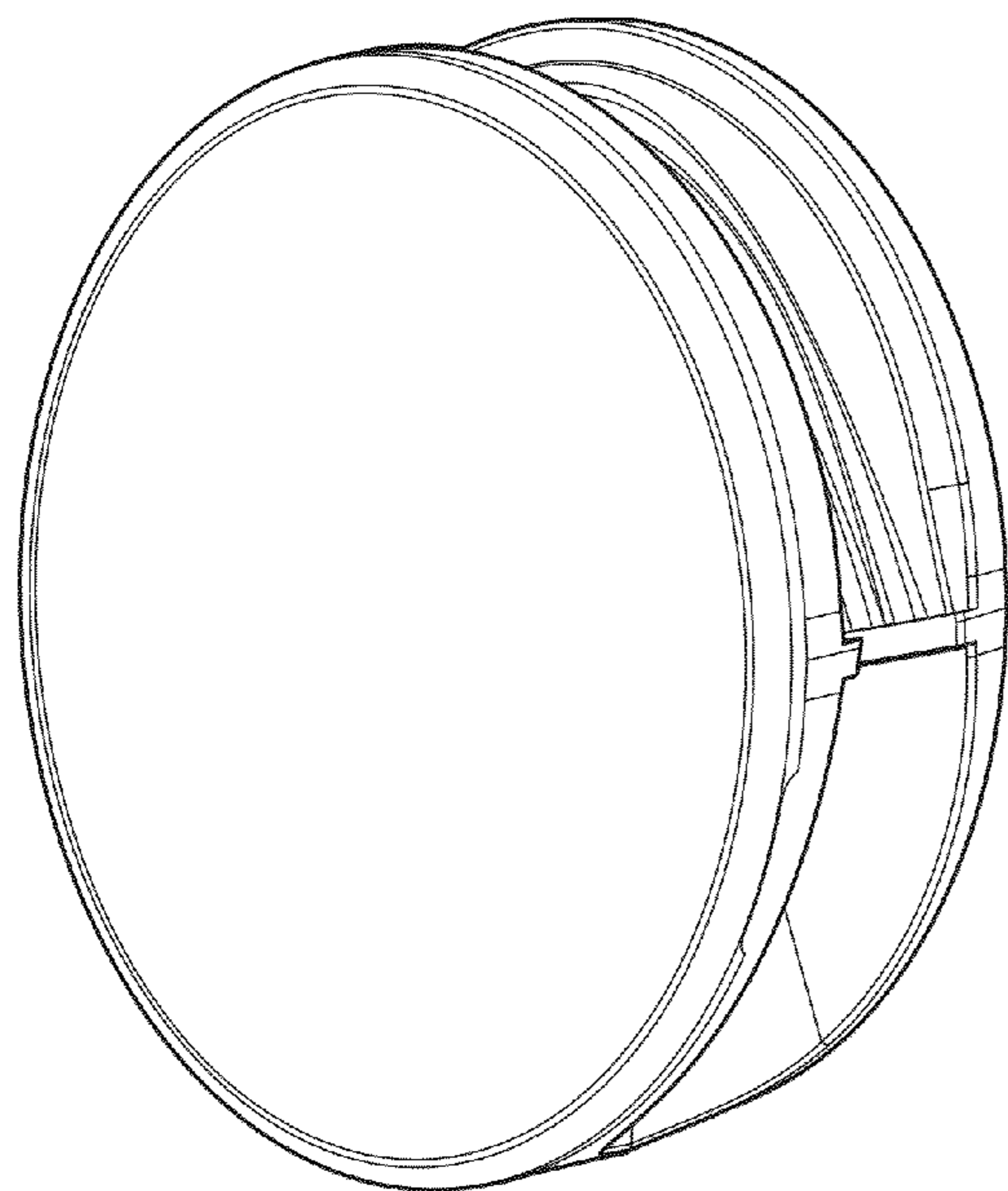
(57) **CLAIM**

The ornamental design for a twist tie mount, as shown and described.

DESCRIPTION

FIG. 1 is a front perspective view of a twist tie mount;
FIG. 2 is a rear perspective view of the twist tie mount of FIG. 1;
FIG. 3 is a front view of the twist tie mount of FIG. 1;
FIG. 4 is a rear view of the twist tie mount of FIG. 1;
FIG. 5 is a top view of the twist tie mount of FIG. 1;
FIG. 6 is a bottom view of the twist tie mount of FIG. 1;
FIG. 7 is a left view of the twist tie mount of FIG. 1; and,
FIG. 8 is a right view of the twist tie mount of FIG. 1.

1 Claim, 4 Drawing Sheets



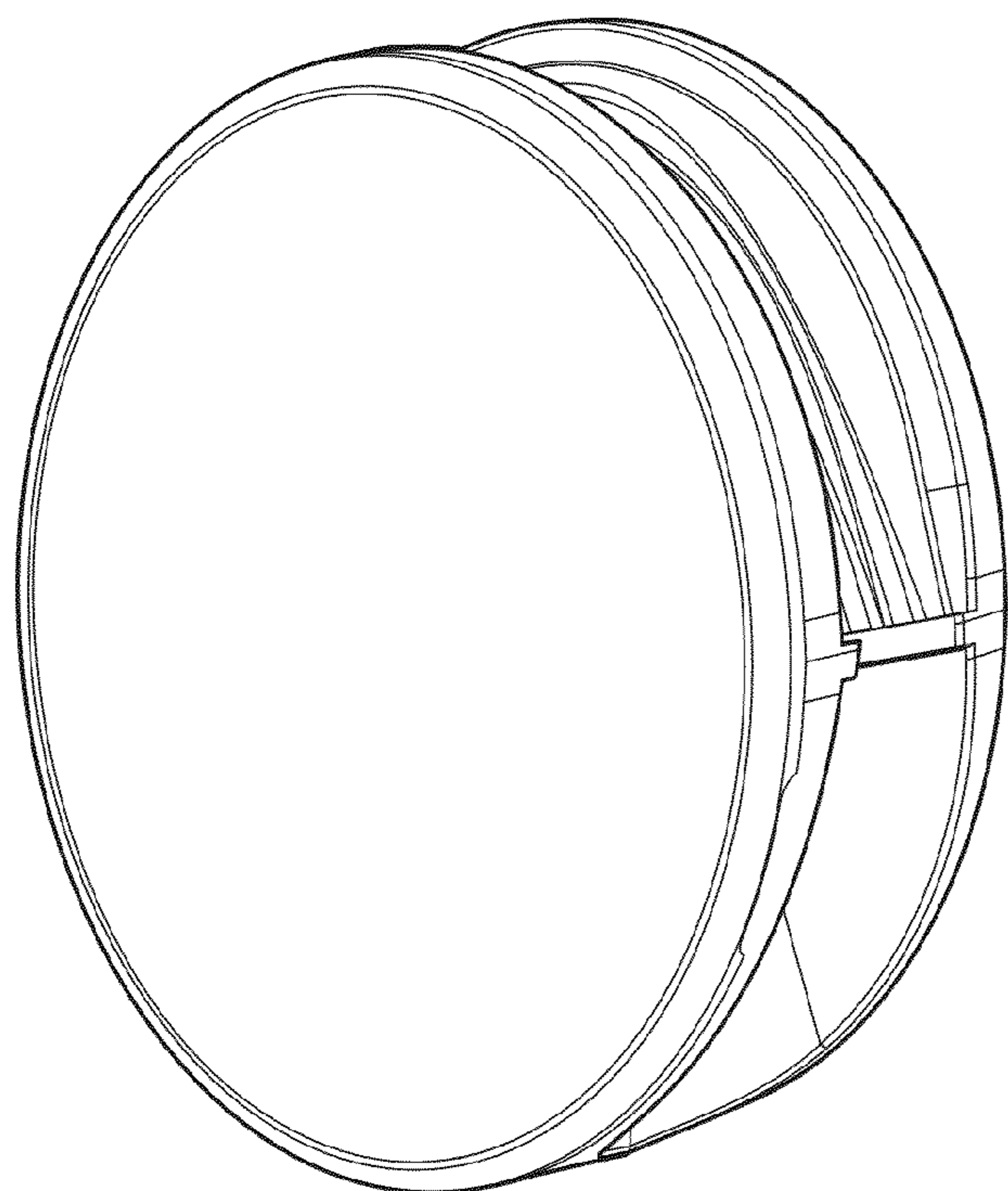


FIG. 1

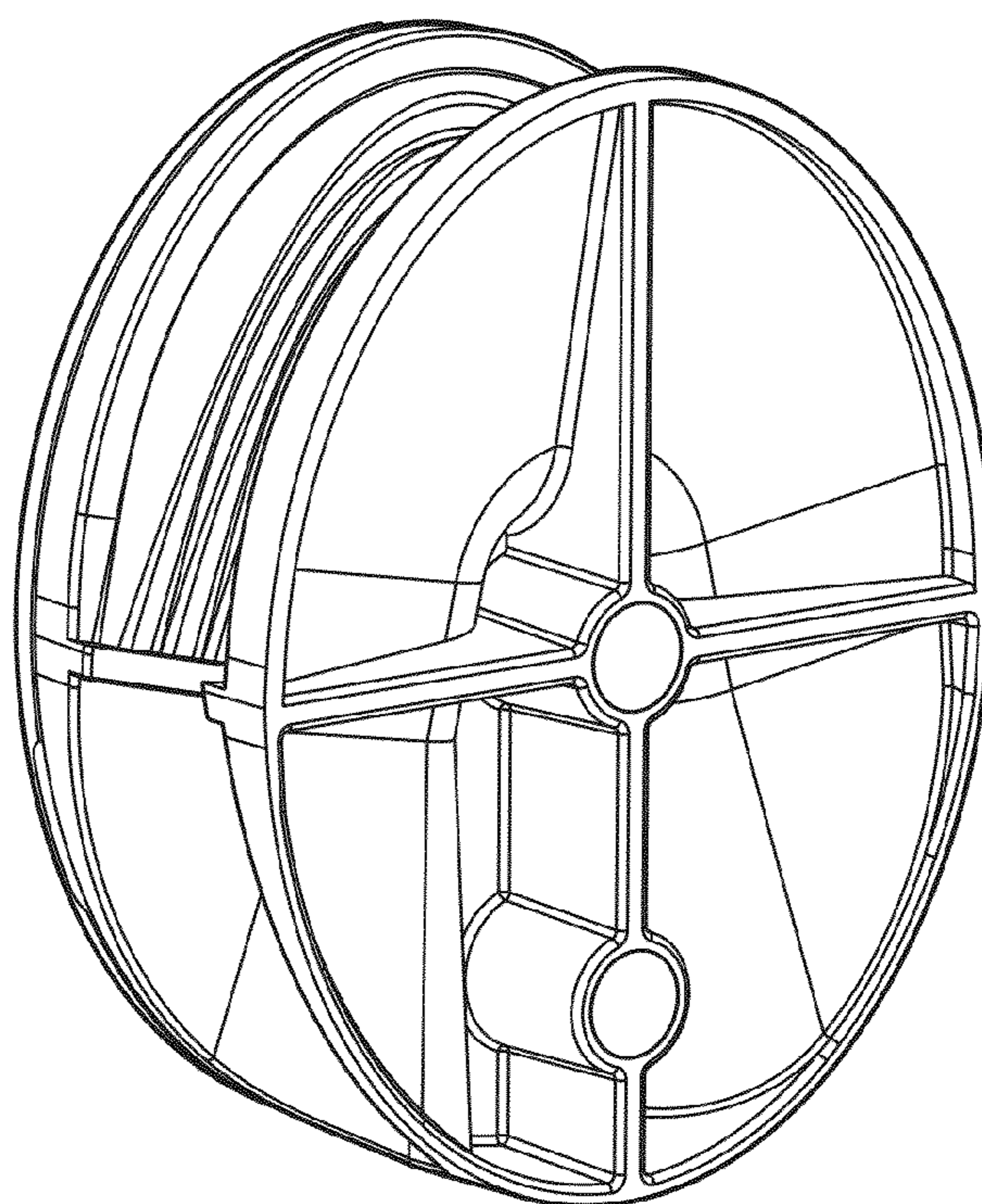


FIG. 2

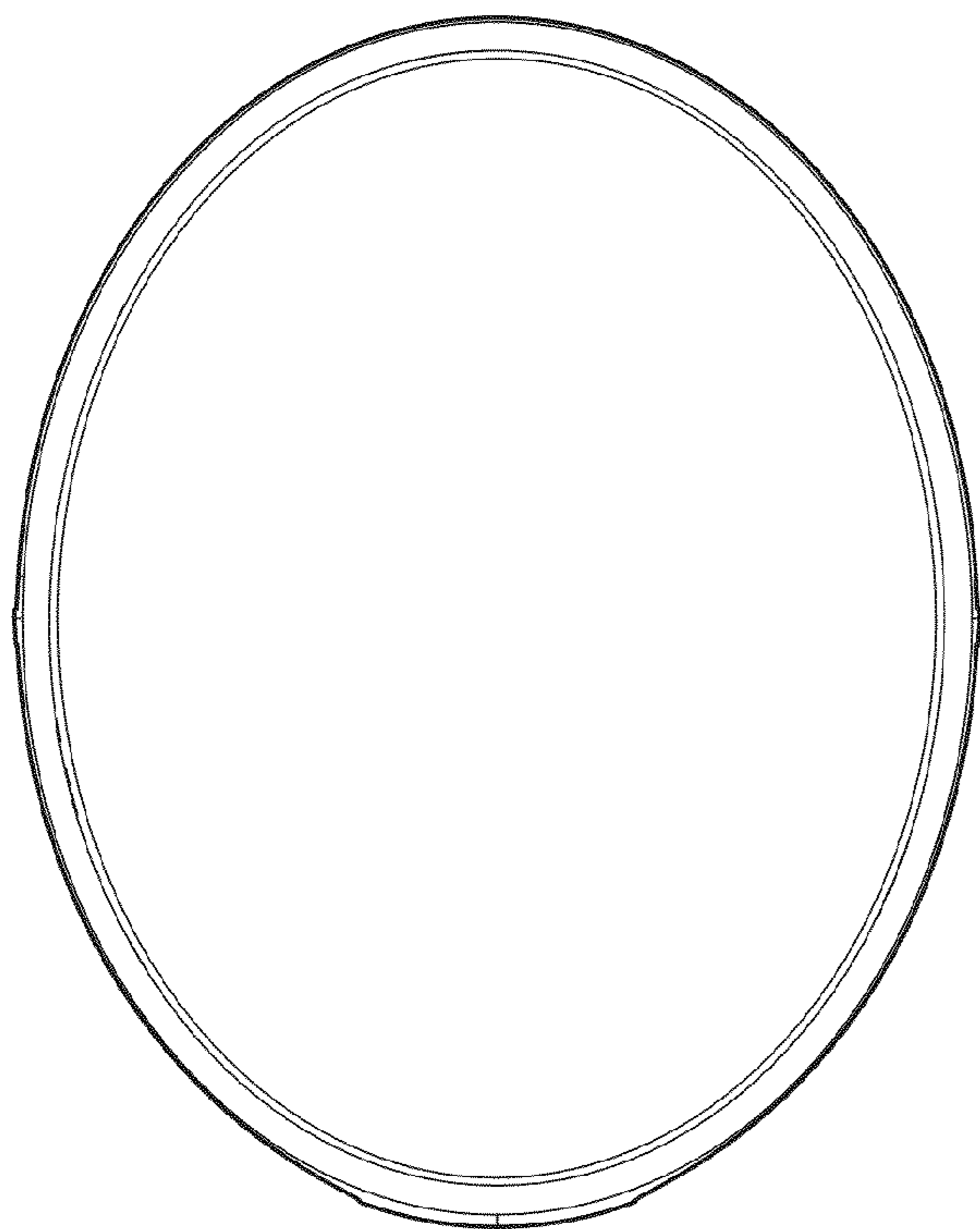


FIG. 3

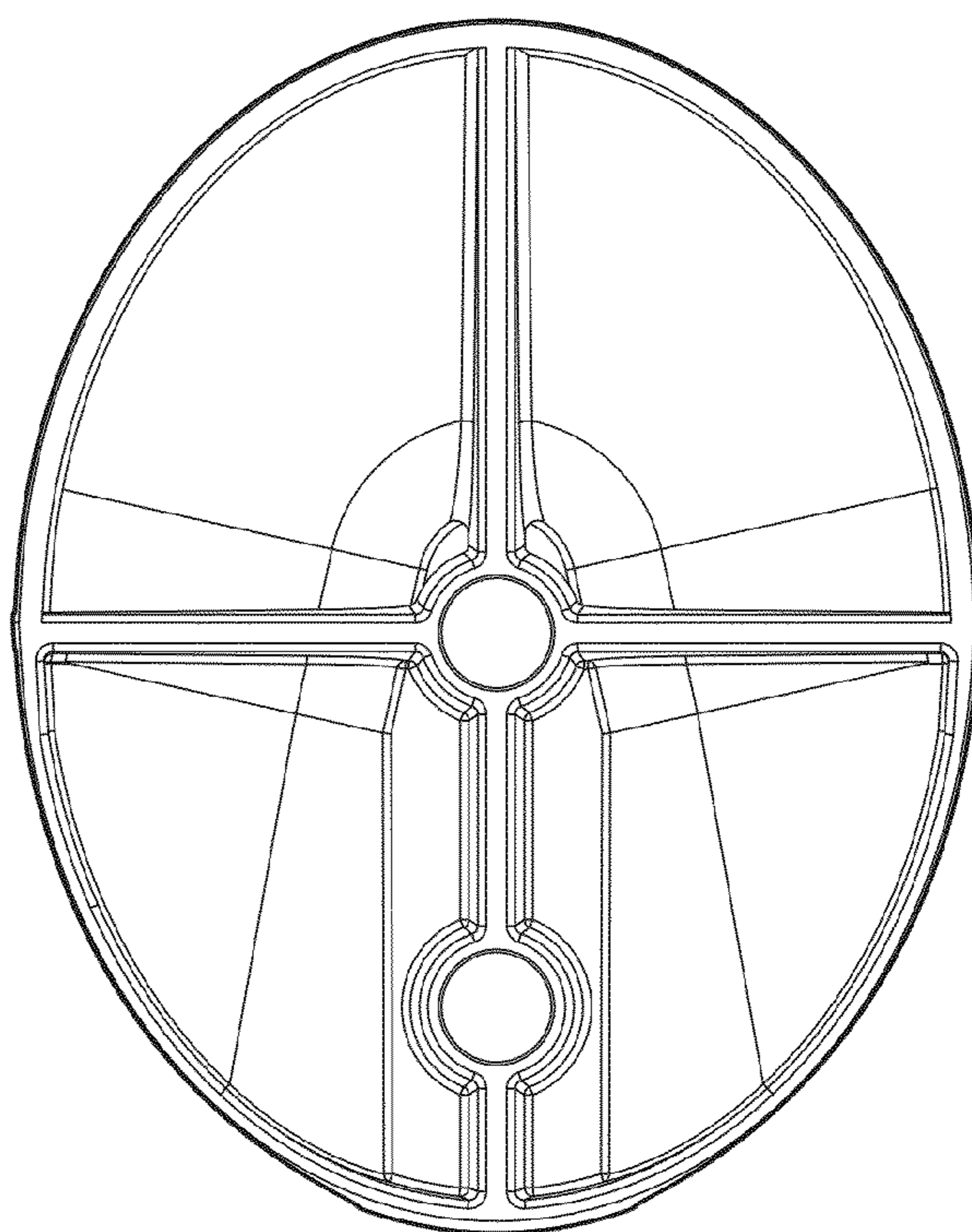


FIG. 4

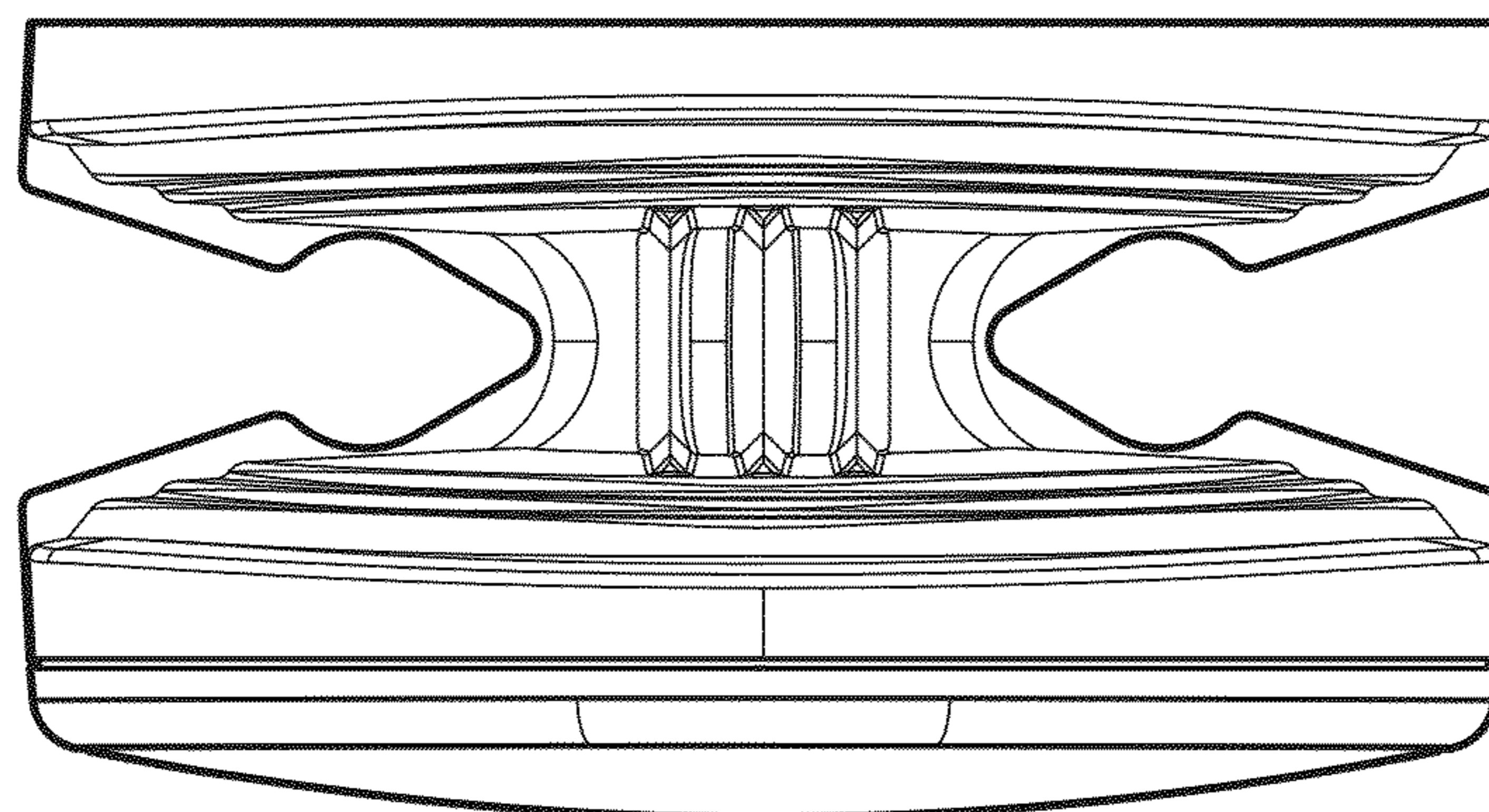


FIG. 5

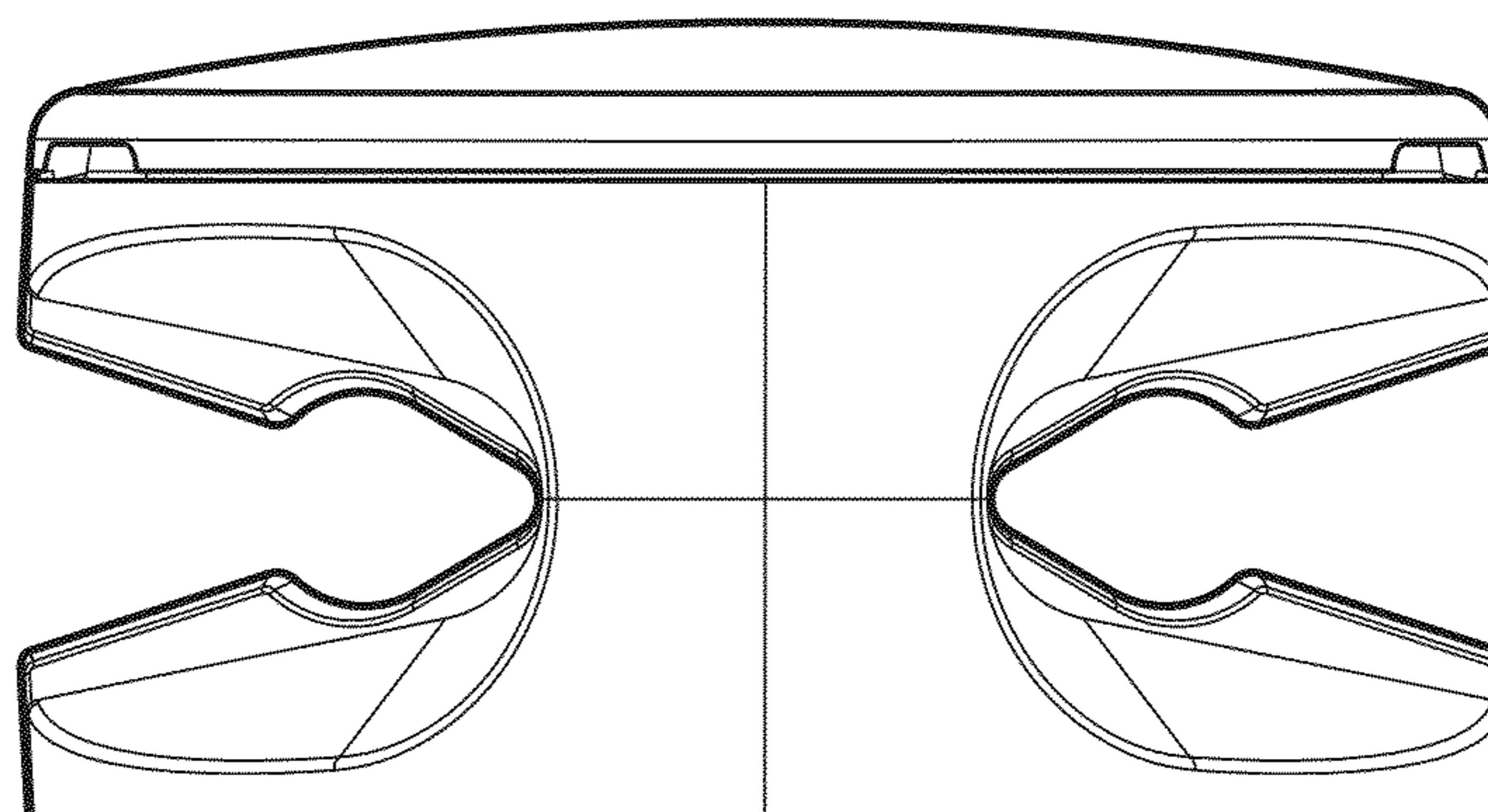


FIG. 6

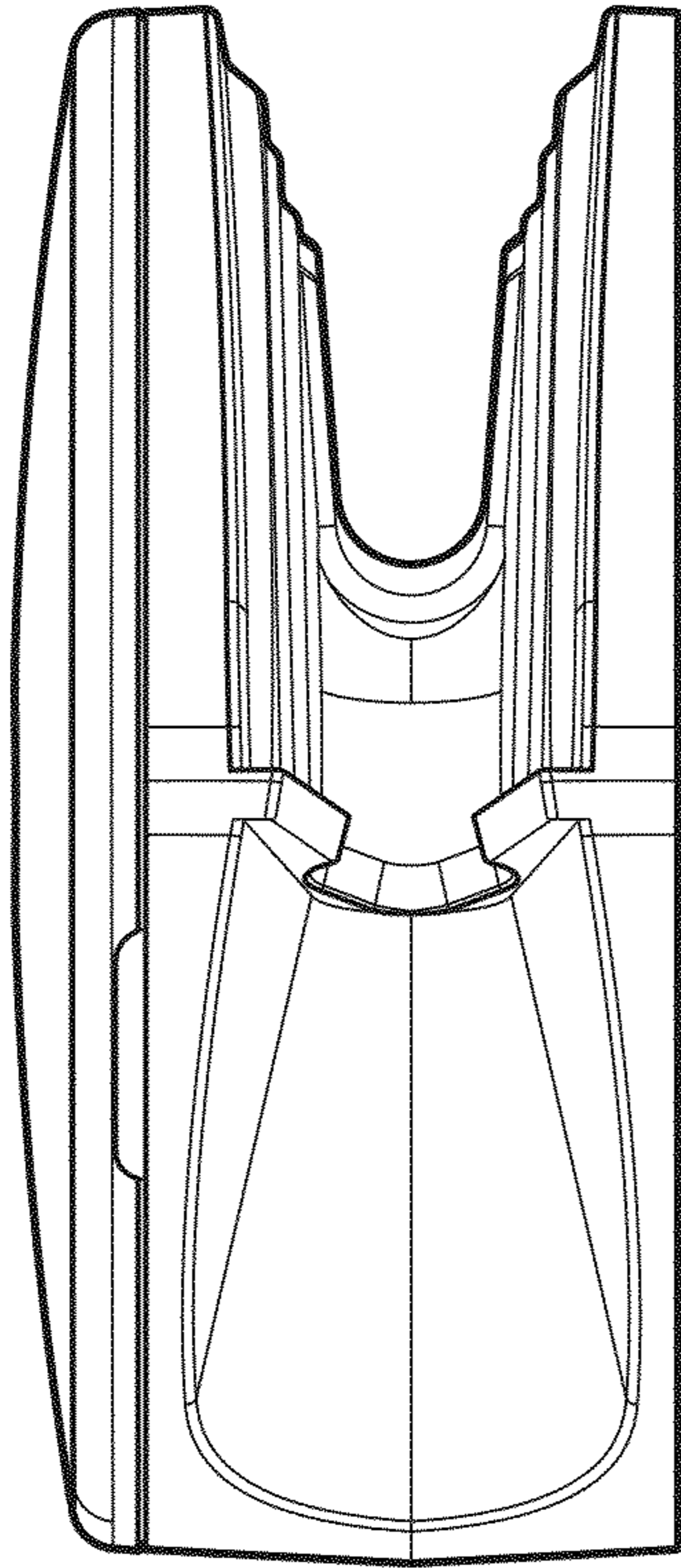


FIG. 7

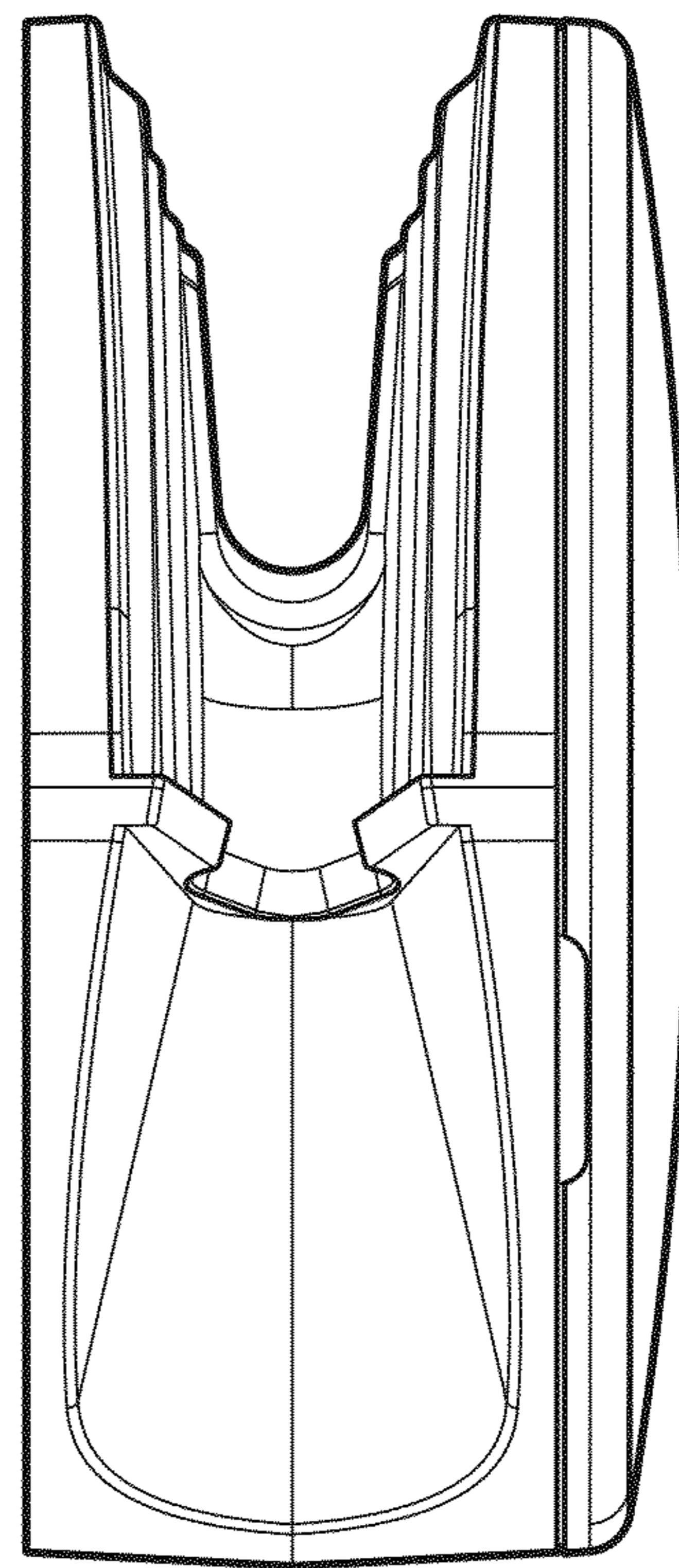


FIG. 8